



US00D575243S

(12) **United States Design Patent**  
**Imai et al.**

(10) **Patent No.:** **US D575,243 S**  
(45) **Date of Patent:** **\*\* Aug. 19, 2008**

(54) **LIGHT-EMITTING DIODE FOR ILLUMINATING AN OBJECT**

(75) Inventors: **Sadato Imai**, Hachiouji (JP); **Masayoshi Kanamori**, Higashi, Kunitachi (JP)

(73) Assignee: **Citizen Electronics Co., Ltd.**, Yamanashi (JP)

(\*\*) Term: **14 Years**

(21) Appl. No.: **29/244,504**

(22) Filed: **Dec. 12, 2005**

(30) **Foreign Application Priority Data**

Jun. 13, 2005	(JP)	.....	2005-016997
Jun. 13, 2005	(JP)	.....	2005-016998
Jun. 13, 2005	(JP)	.....	2005-016999
Jun. 13, 2005	(JP)	.....	2005-017000
Jun. 13, 2005	(JP)	.....	2005-017001
Jun. 13, 2005	(JP)	.....	2005-017002
Jun. 13, 2005	(JP)	.....	2005-017003

(51) **LOC (8) Cl.** ..... **13-03**

(52) **U.S. Cl.** ..... **D13/180**

(58) **Field of Classification Search** ..... D13/180;  
362/219, 249, 555, 800

See application file for complete search history.

(56) **References Cited**

**U.S. PATENT DOCUMENTS**

5,103,382 A \* 4/1992 Kondo et al. .... 362/503

(Continued)

*Primary Examiner*—Selina Sikder

(74) *Attorney, Agent, or Firm*—Browdy and Neimark

(57) **CLAIM**

The ornamental design for a light-emitting diode for illuminating an object, as shown and described.

**DESCRIPTION**

FIG. 1 is a perspective view of a first embodiment of a light-emitting diode for illuminating an object in accordance with the present design;

FIG. 2 is a top plan view thereof;

FIG. 3 is a bottom plan view thereof;

FIG. 4 is an end view thereof, a view of the other end being identical thereto;

FIG. 5 is a side view thereof, a view of the other side being identical thereto;

FIG. 6 is a perspective view of an array of a plurality of the diodes of FIGS. 1–5 mounted on the cylindrical surface of a circularly cylindrical substrate;

FIG. 7 is a perspective view of a second embodiment of a light-emitting diode for illuminating an object in accordance with the present design;

FIG. 8 is a top plan view thereof;

FIG. 9 is a bottom plan view thereof;

FIG. 10 is an end view of one end thereof;

FIG. 11 is an end view of the other end thereof;

FIG. 12 is a side view of one side thereof;

FIG. 13 is a side view of the other side thereof;

FIG. 14 is a perspective view of an array of a plurality of the diodes of FIGS. 13–19 mounted on the cylindrical surface of a circularly cylindrical substrate;

FIG. 15 is a perspective view of a third embodiment of a light-emitting diode for illuminating an object in accordance with the present design;

FIG. 16 is a top plan view thereof;

FIG. 17 is a bottom plan view thereof;

FIG. 18 is an end view of one end thereof;

FIG. 19 is an end view of the other end thereof;

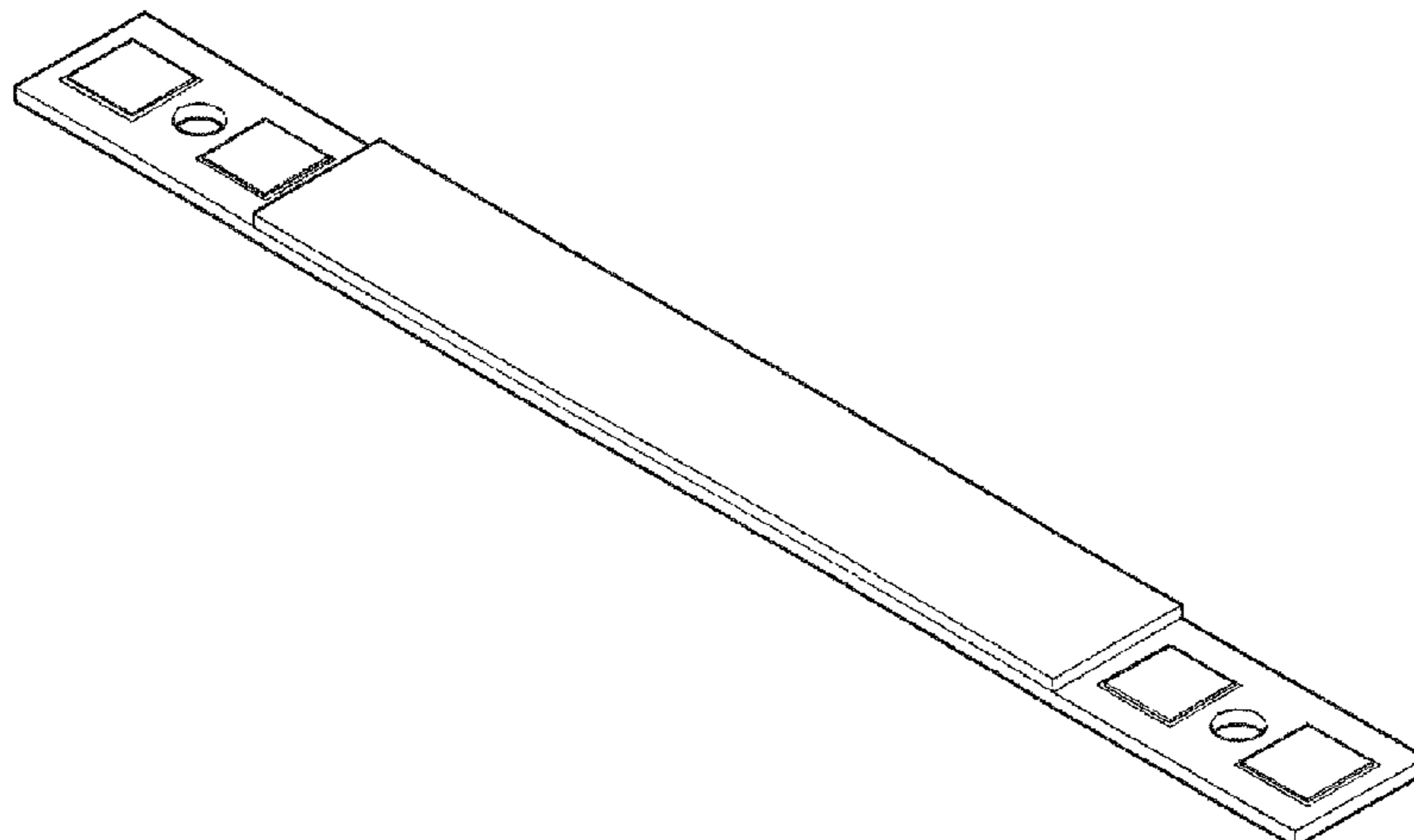
FIG. 20 is a side view of one side thereof;

FIG. 21 is a side view of the other side thereof; and,

FIG. 22 is a perspective view of an array of a plurality of the diodes of FIGS. 15–21 mounted on the cylindrical surface of a circularly cylindrical substrate.

The broken line showing of the environment is for illustrative purpose only and forms no part of the claimed design.

**1 Claim, 9 Drawing Sheets**



# US D575,243 S

Page 2

---

## U.S. PATENT DOCUMENTS

6,031,958	A *	2/2000	McGaffigan	.....	385/146	2003/0193803	A1 *	10/2003	Lin	.....	362/250
6,056,420	A *	5/2000	Wilson et al.	.....	362/249	2003/0214810	A1 *	11/2003	Zhang	.....	362/294
6,882,111	B2 *	4/2005	Kan et al.	.....	315/122	2004/0017688	A1 *	1/2004	Liu	.....	362/555
7,044,620	B2 *	5/2006	Van Duyn	.....	362/294	2004/0223328	A1 *	11/2004	Lee et al.	.....	362/249
D531,139	S *	10/2006	Egawa et al.	.....	D13/180	2005/0094394	A1 *	5/2005	Padiyath et al.	.....	362/249
7,165,863	B1 *	1/2007	Thomas et al.	.....	362/219						

\* cited by examiner

Fig. 1

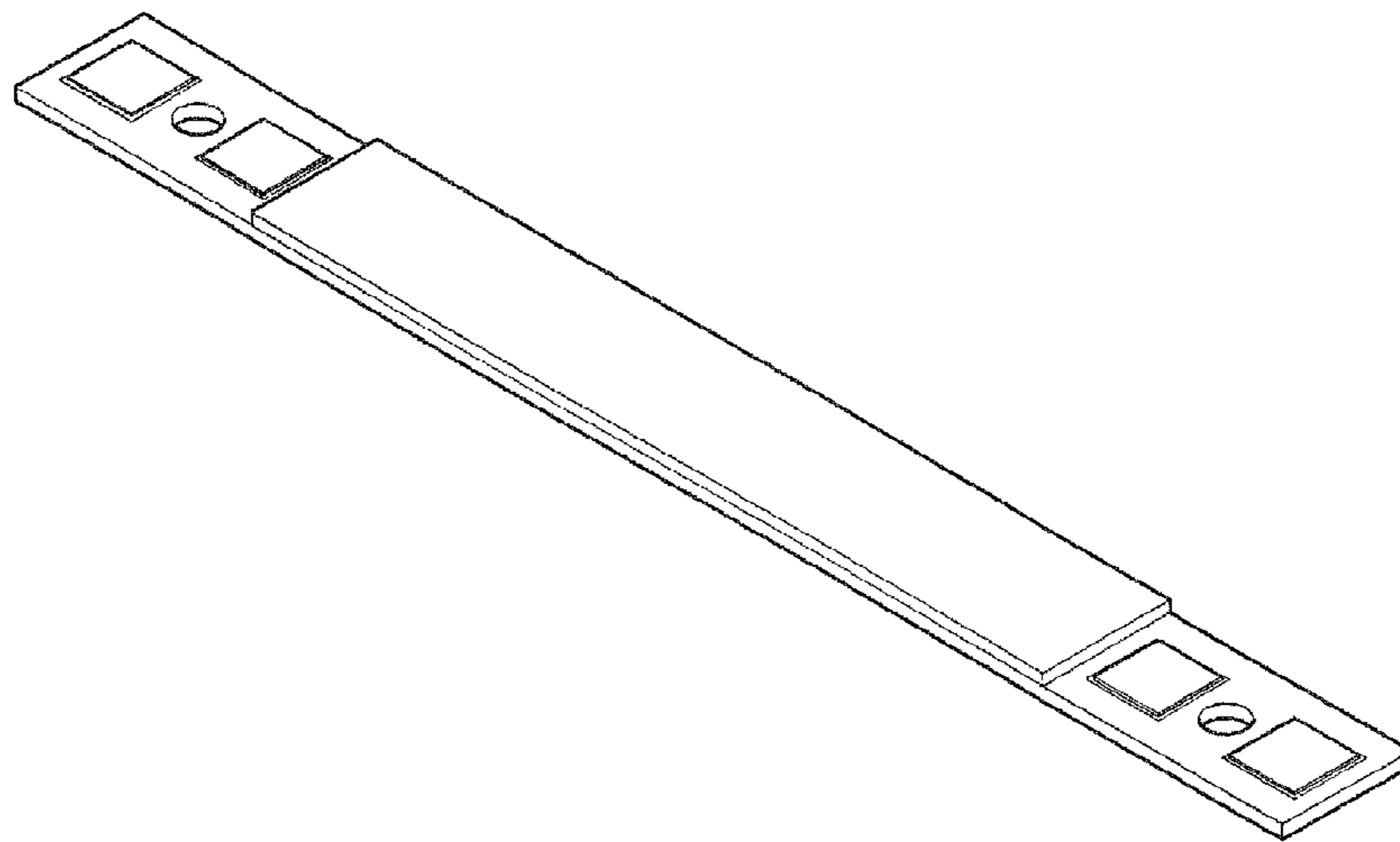


Fig. 2

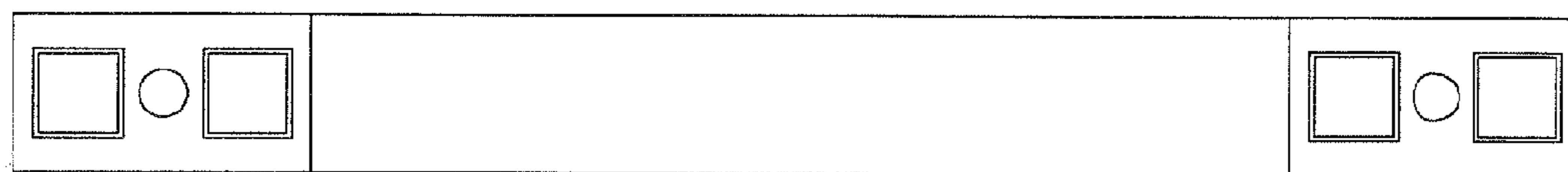


Fig. 3

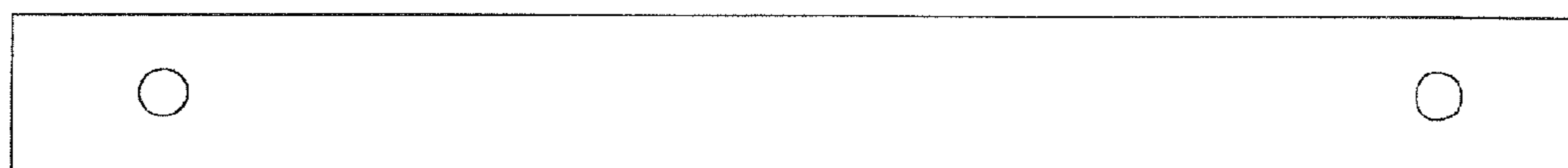


Fig. 4



Fig. 5

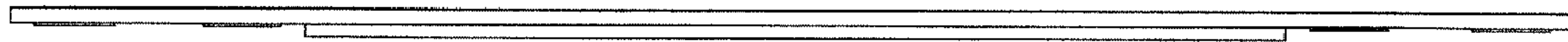


Fig. 6

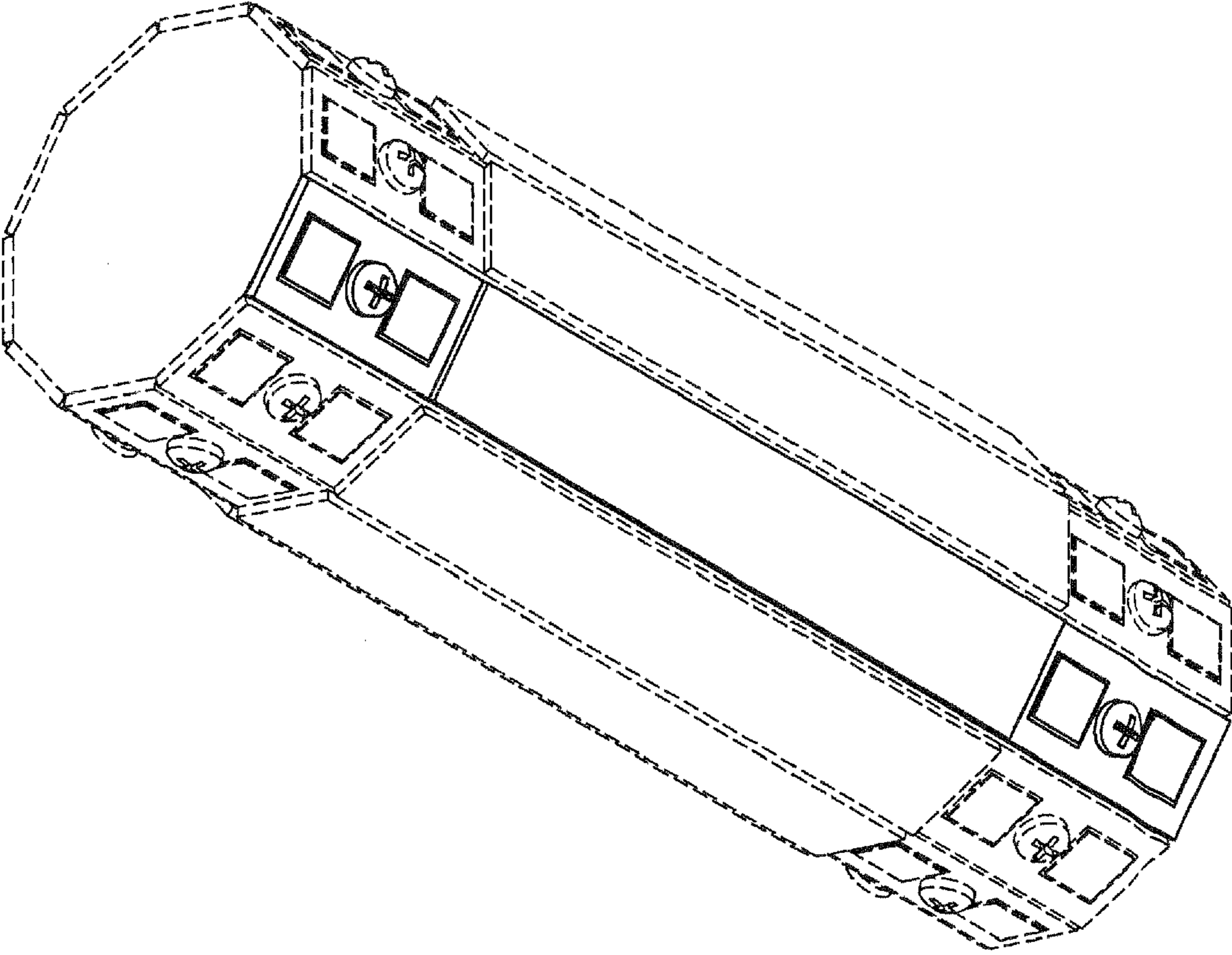


Fig. 7

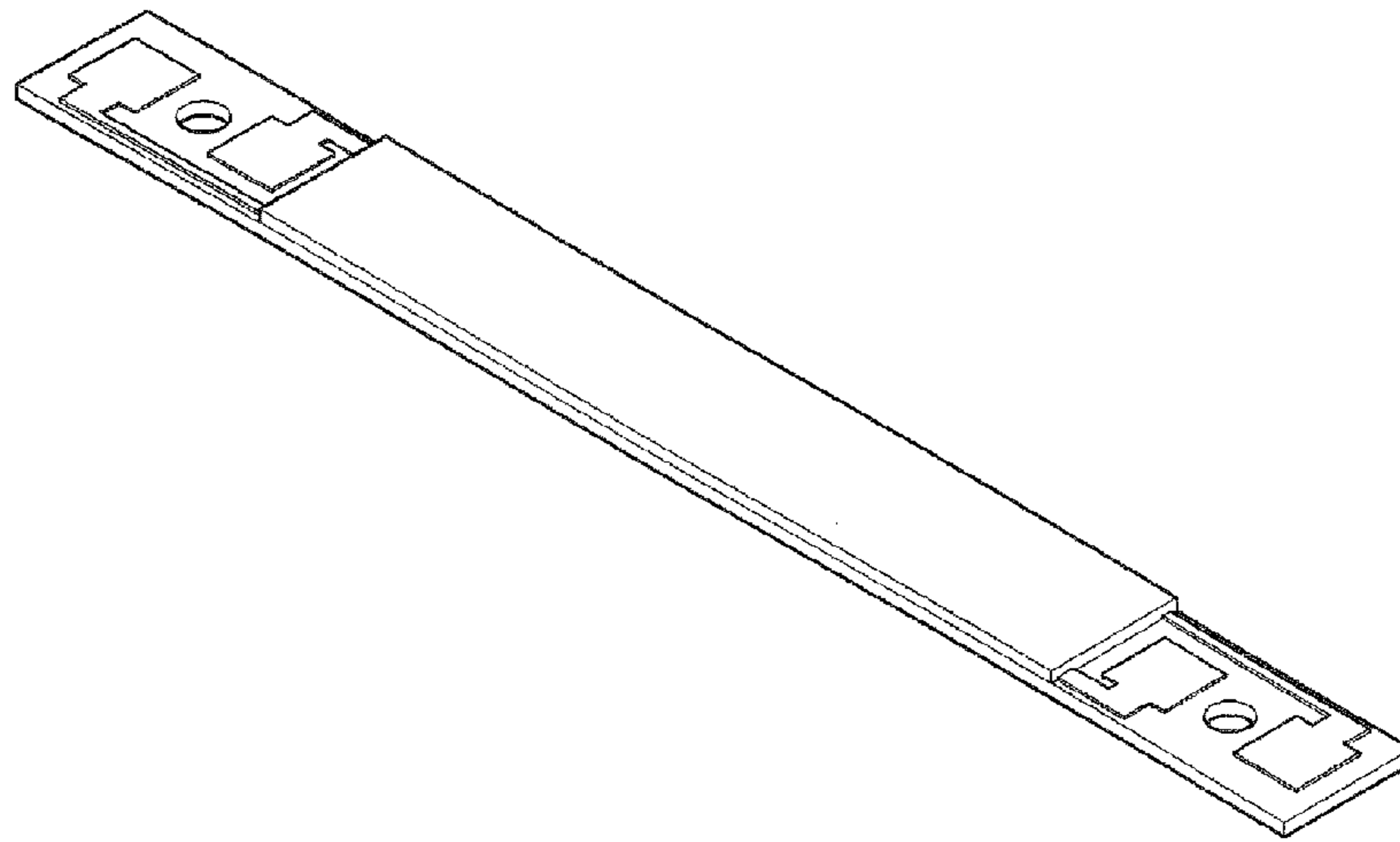


Fig. 8

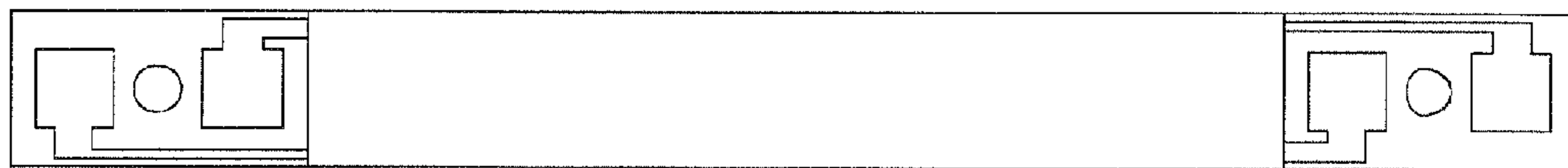


Fig. 9



Fig. 10



Fig. 11



Fig. 12

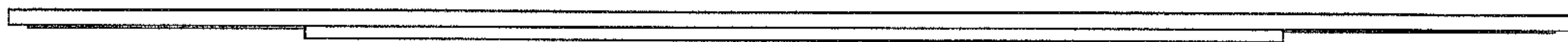


Fig. 13

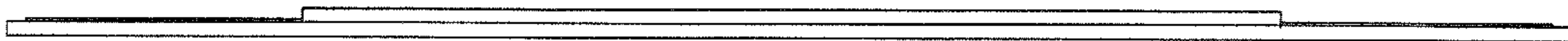


Fig. 14

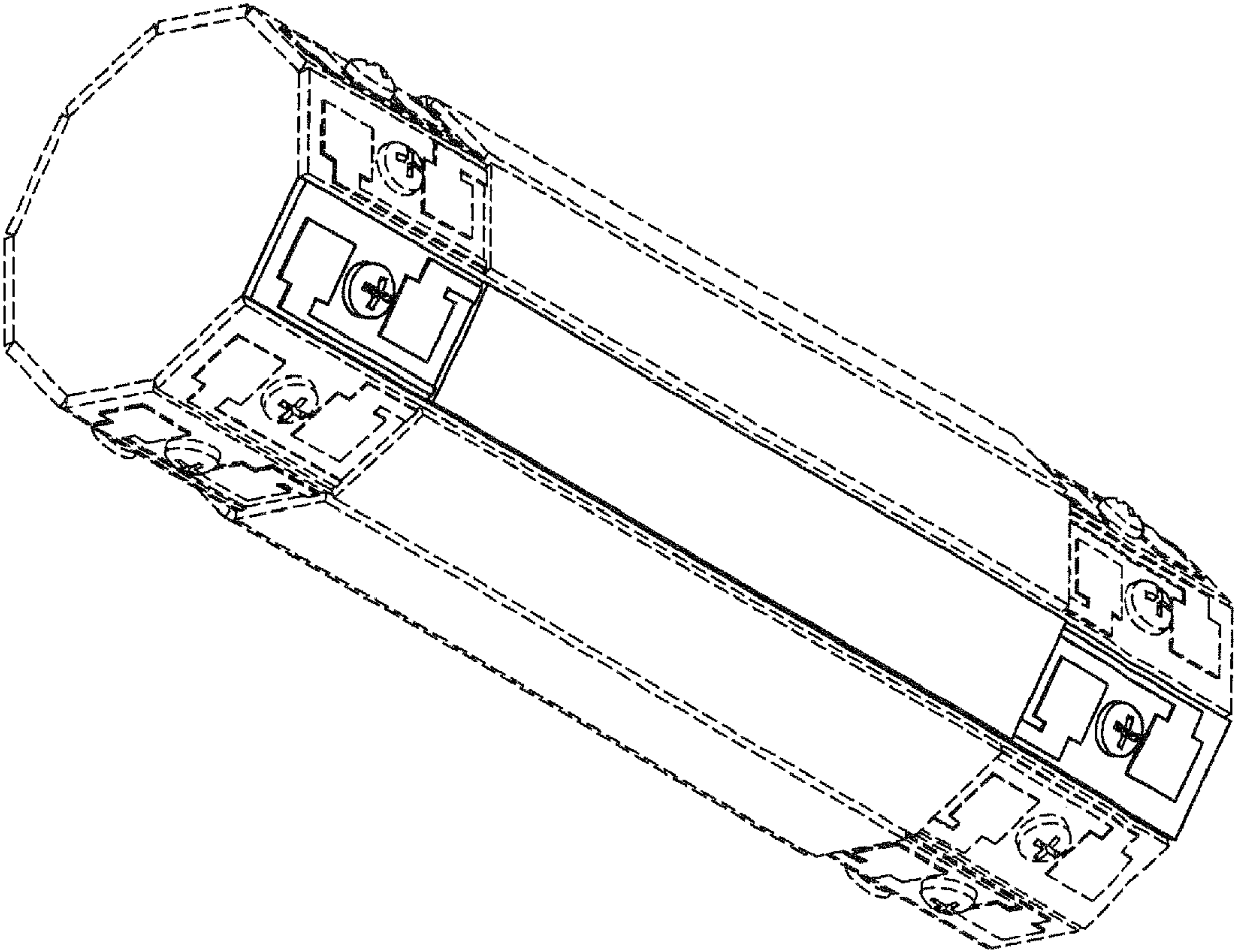




Fig. 15

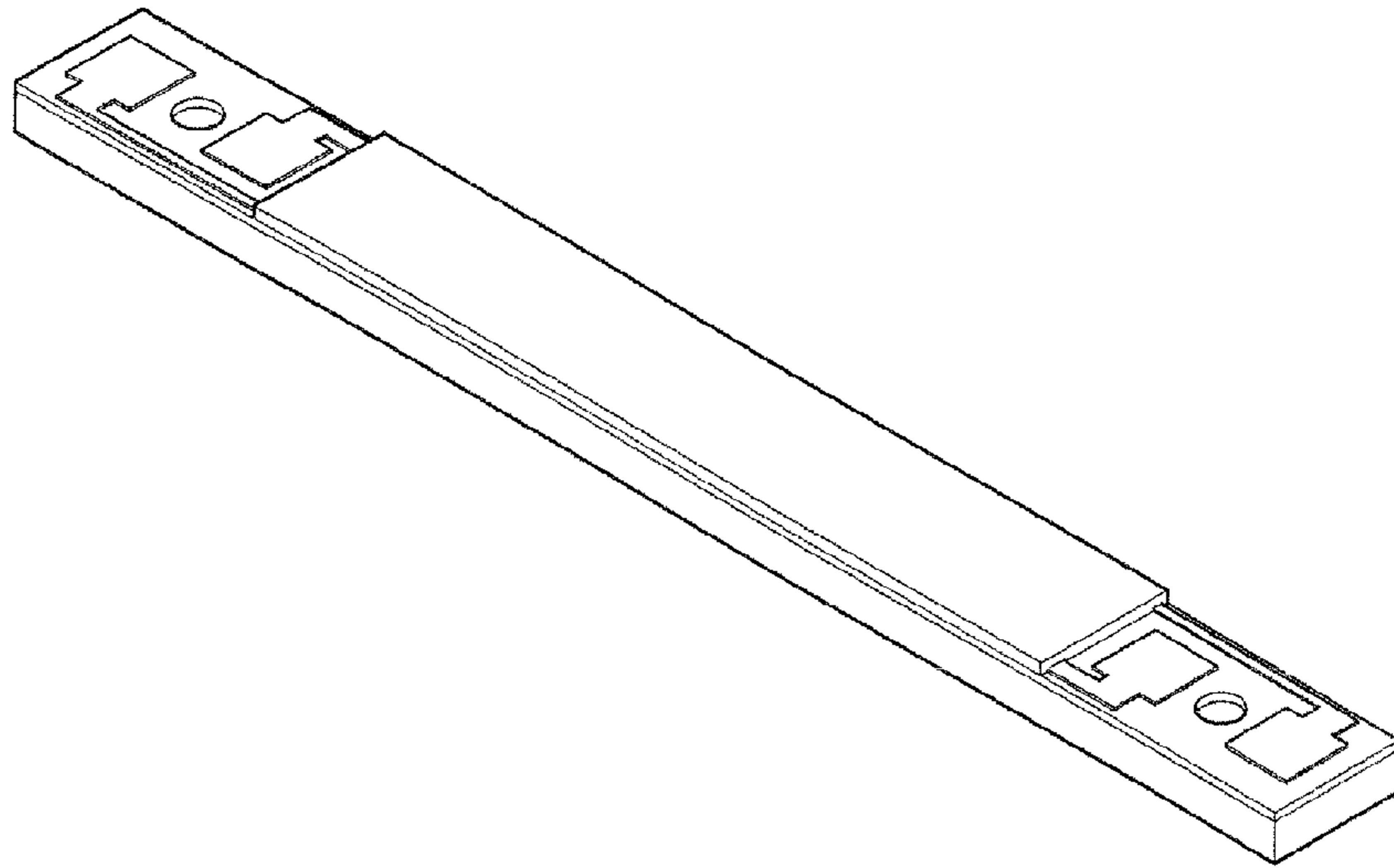


Fig. 16

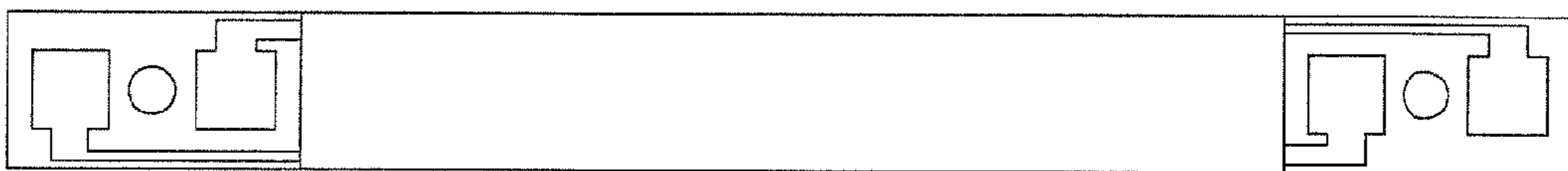


Fig. 17

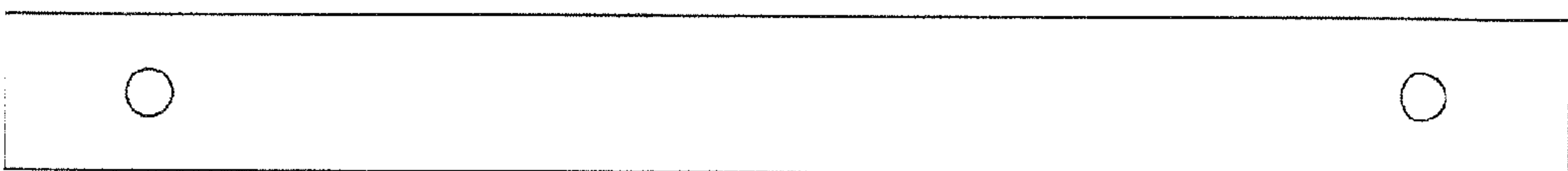


Fig. 18

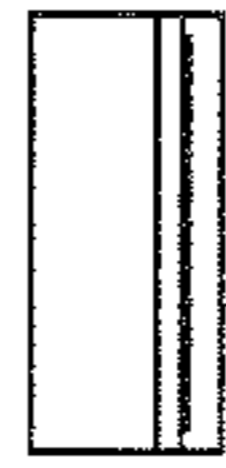


Fig. 19



Fig. 20

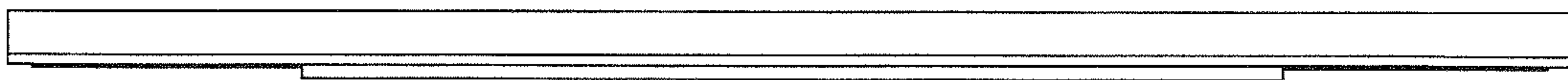


Fig. 21

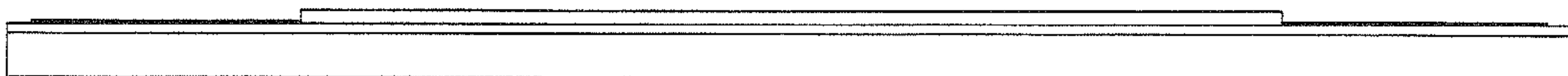


Fig. 22

