

US00D575240S

(12) **United States Design Patent**
Landerholm et al.

(10) **Patent No.:** **US D575,240 S**

(45) **Date of Patent:** **** Aug. 19, 2008**

(54) **CONTROL UNIT**

(75) Inventors: **John Landerholm**, Århus (DK); **Peter Boldsen Lund**, Århus (DK)

(73) Assignee: **Linak A/S**, Nordborg (DK)

(**) Term: **14 Years**

(21) Appl. No.: **29/290,328**

(22) Filed: **Nov. 20, 2007**

(30) **Foreign Application Priority Data**

May 21, 2007 (DK) DA 2007 00131

(51) **LOC (8) Cl.** **13-03**

(52) **U.S. Cl.** **D13/162; D13/164**

(58) **Field of Classification Search** D13/162,
D13/164, 184; D14/240; 174/50, 52.1, 58;
312/223.1, 223.2; 220/3.2, 3.8, 4.02; 361/679,
361/692, 695, 724, 730

See application file for complete search history.

(56) **References Cited**

U.S. PATENT DOCUMENTS

- D287,486 S * 12/1986 Points et al. D13/164
- D367,430 S * 2/1996 Greenberg et al. D10/49
- D381,960 S * 8/1997 Chandler D13/164
- D400,539 S * 11/1998 Hippen D14/218
- D427,155 S * 6/2000 Pawley et al. D13/162
- D451,891 S * 12/2001 Noonan et al. D13/168
- D513,497 S * 1/2006 Whitehouse D13/162
- D553,095 S * 10/2007 Lemke et al. D13/162
- D556,698 S * 12/2007 Walser D13/164
- D558,152 S * 12/2007 Tatsuyama et al. D13/162

D562,259 S * 2/2008 Kosche D13/162

* cited by examiner

Primary Examiner—Daniel Bui

Assistant Examiner—Thomas J Johannes

(74) *Attorney, Agent, or Firm*—Dykema Gossett PLLC

(57) **CLAIM**

The ornamental design for a control unit, as shown and described.

DESCRIPTION

FIG. 1 is a front perspective view of a first embodiment of a control unit showing our new design,

FIG. 2 is a rear perspective view thereof,

FIG. 3 is a front elevational view thereof,

FIG. 4 is a rear elevational view thereof,

FIG. 5 is a top plan view thereof,

FIG. 6 is a bottom plan view thereof,

FIG. 7 is a right side elevational view thereof,

FIG. 8 is a left side elevational view thereof,

FIG. 9 is a front perspective view of a second embodiment of a control unit showing our design,

FIG. 10 is a rear perspective view thereof,

FIG. 11 is a front elevational view thereof,

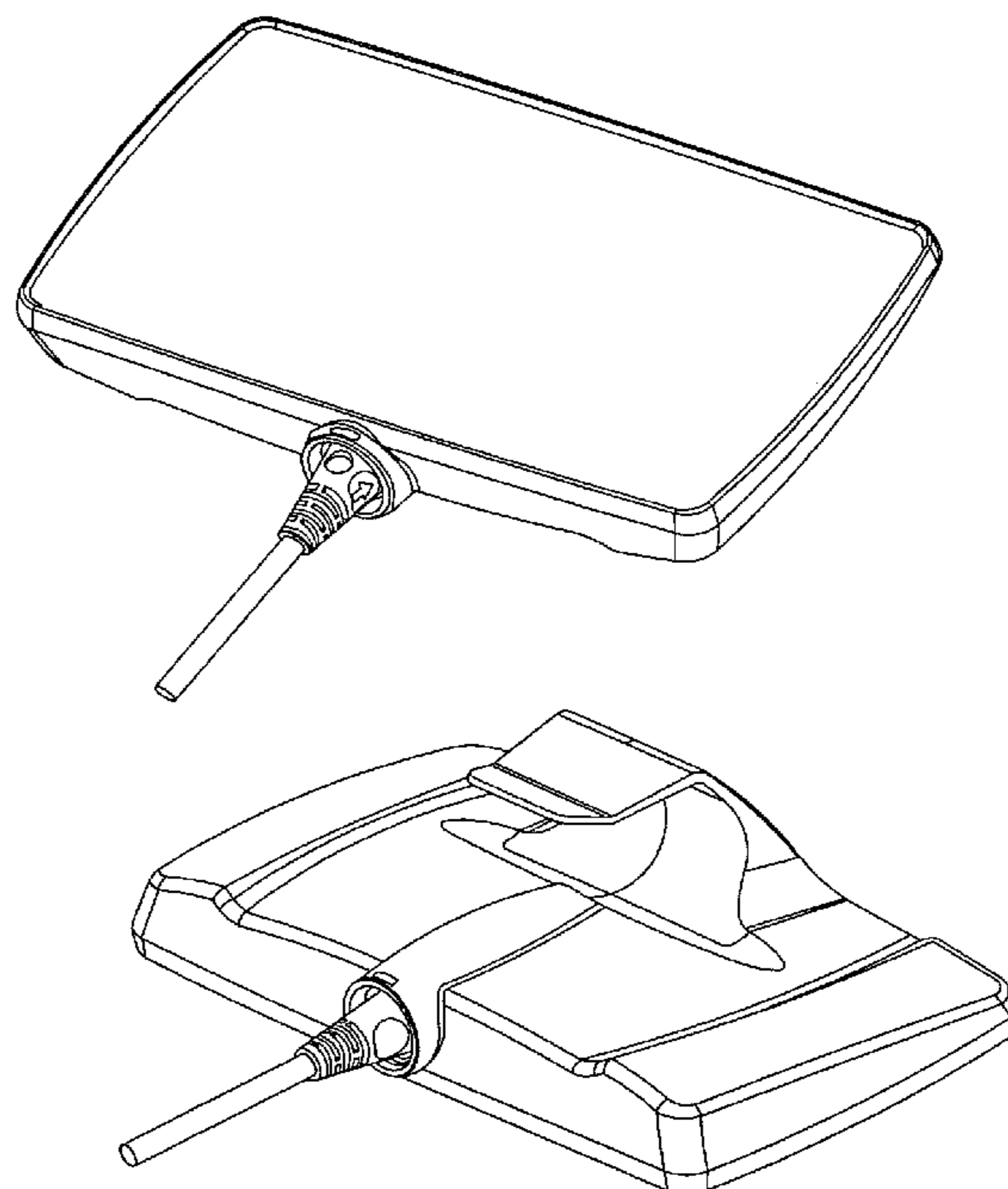
FIG. 12 is a rear elevational view thereof,

FIG. 13 is a top plan view thereof,

FIG. 14 is a bottom plan view thereof; and,

FIG. 15 is a right side elevational view thereof.

1 Claim, 6 Drawing Sheets



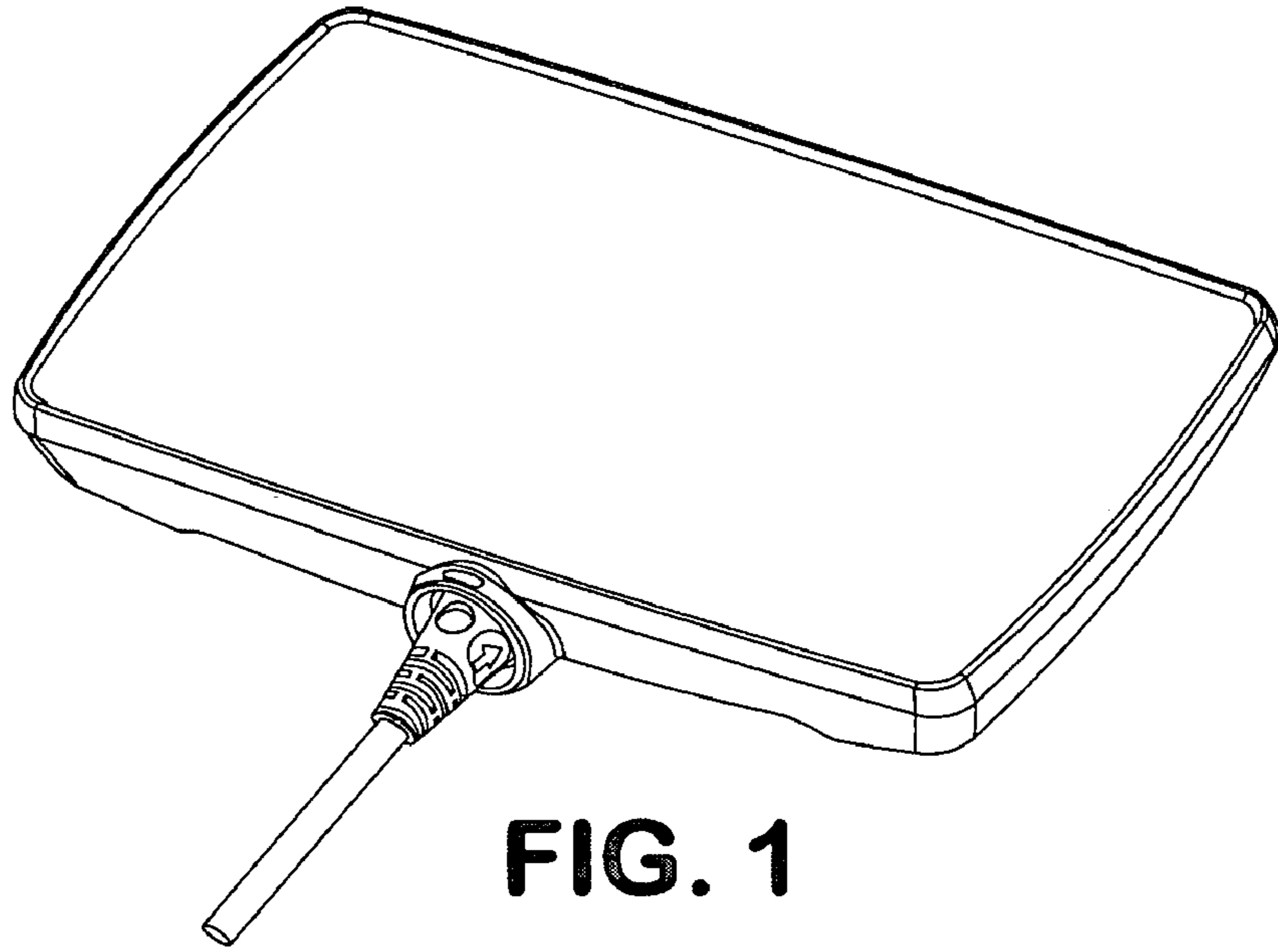


FIG. 1

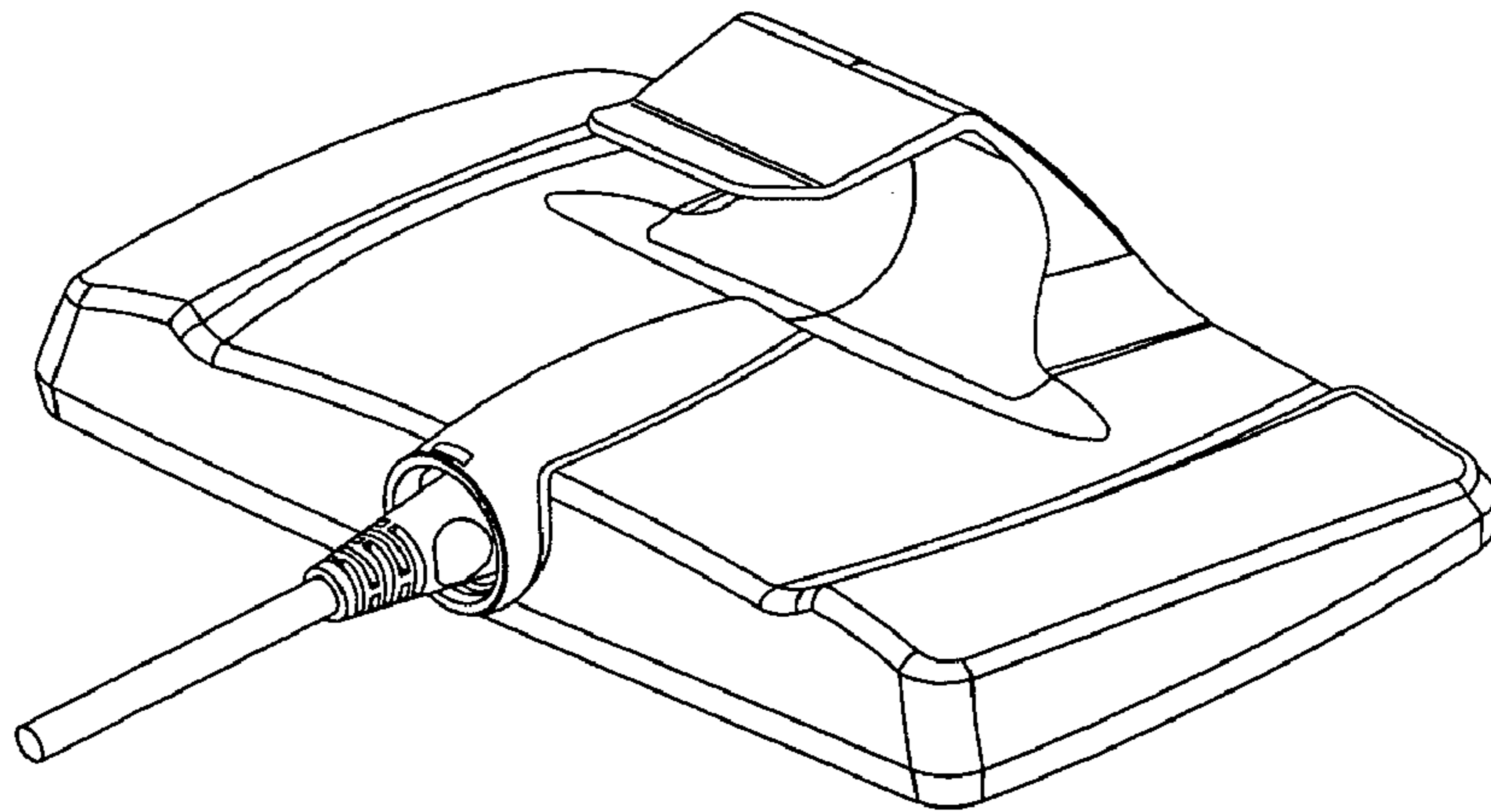


FIG. 2

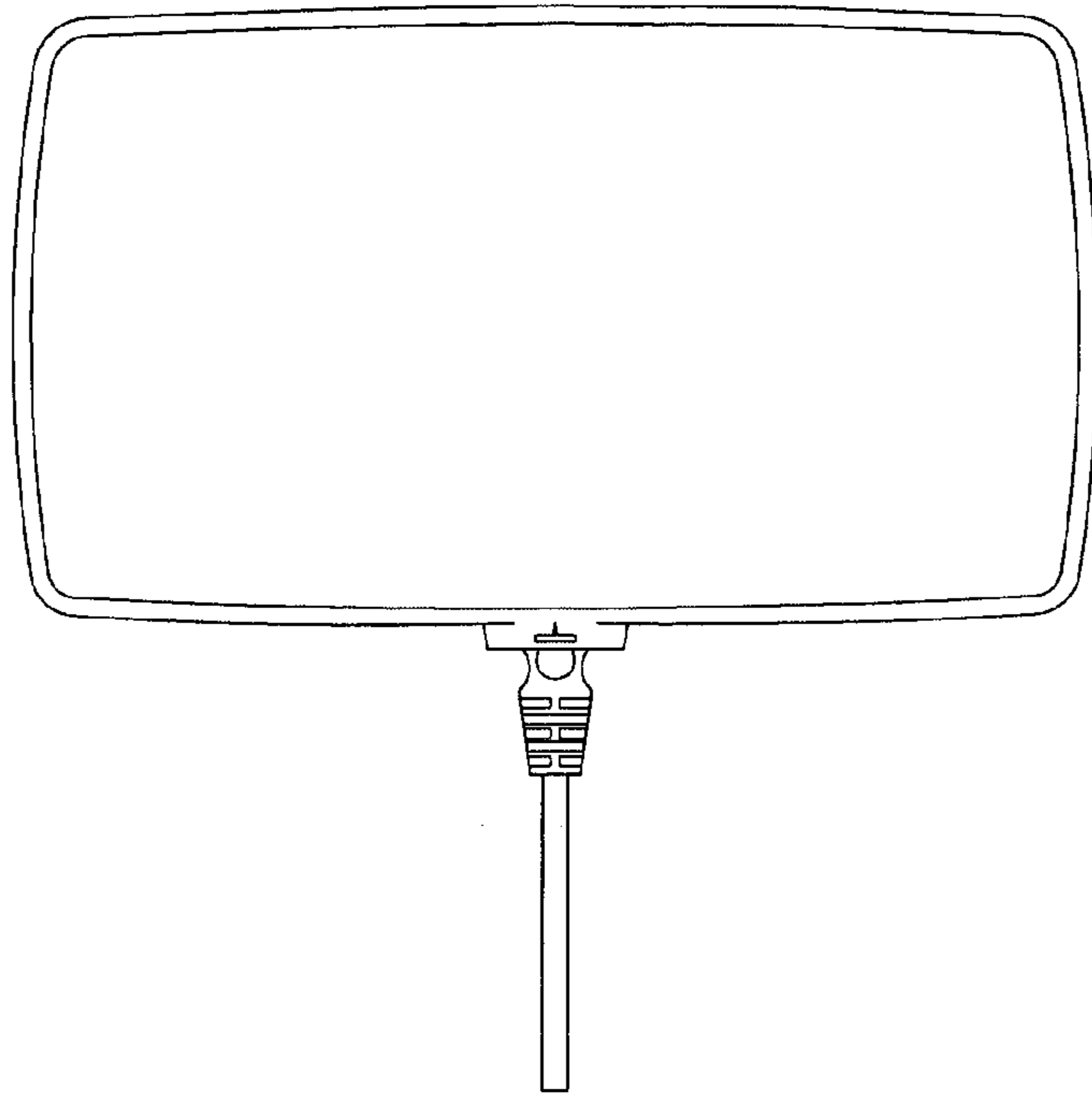


FIG. 3

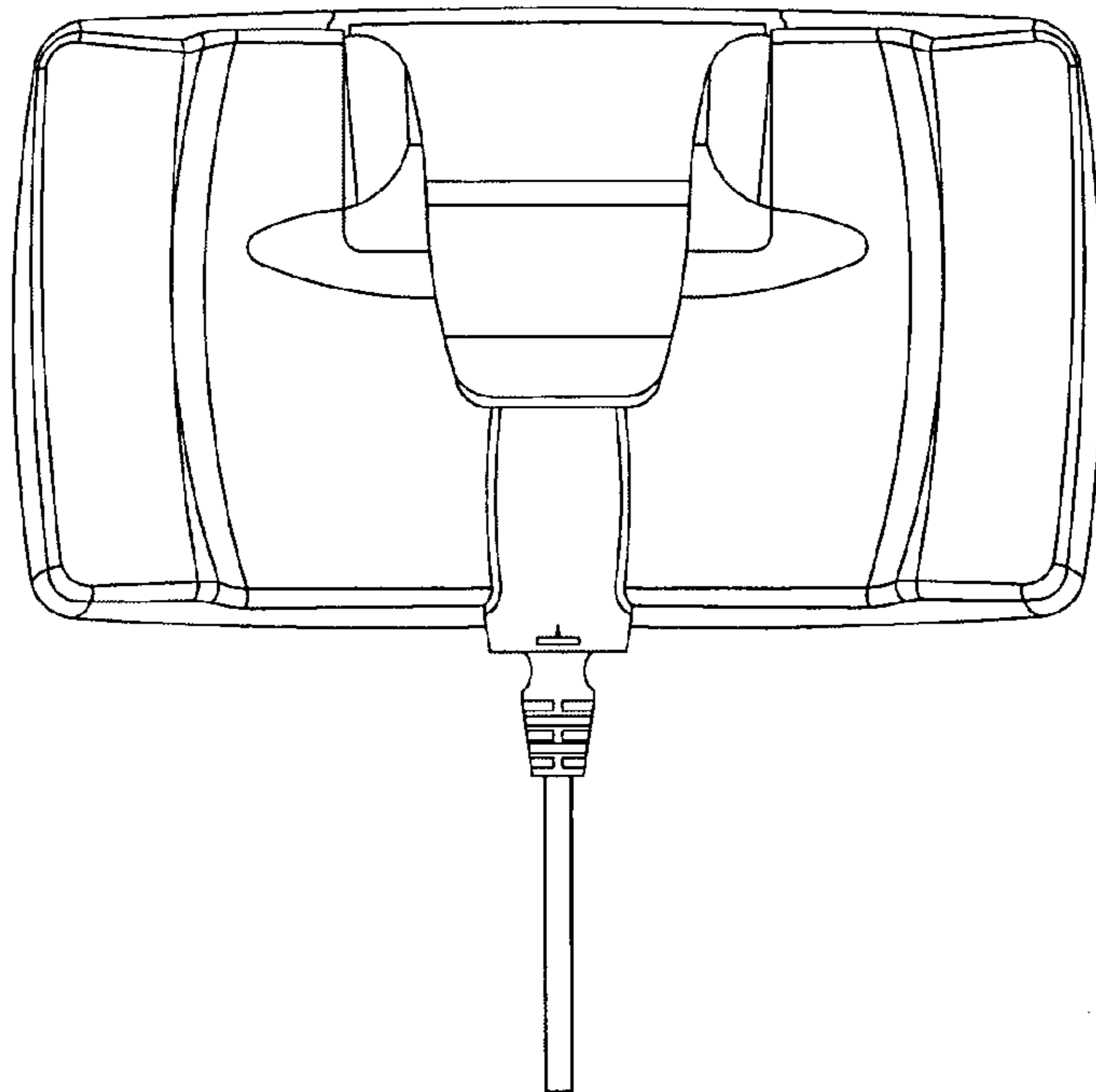


FIG. 4

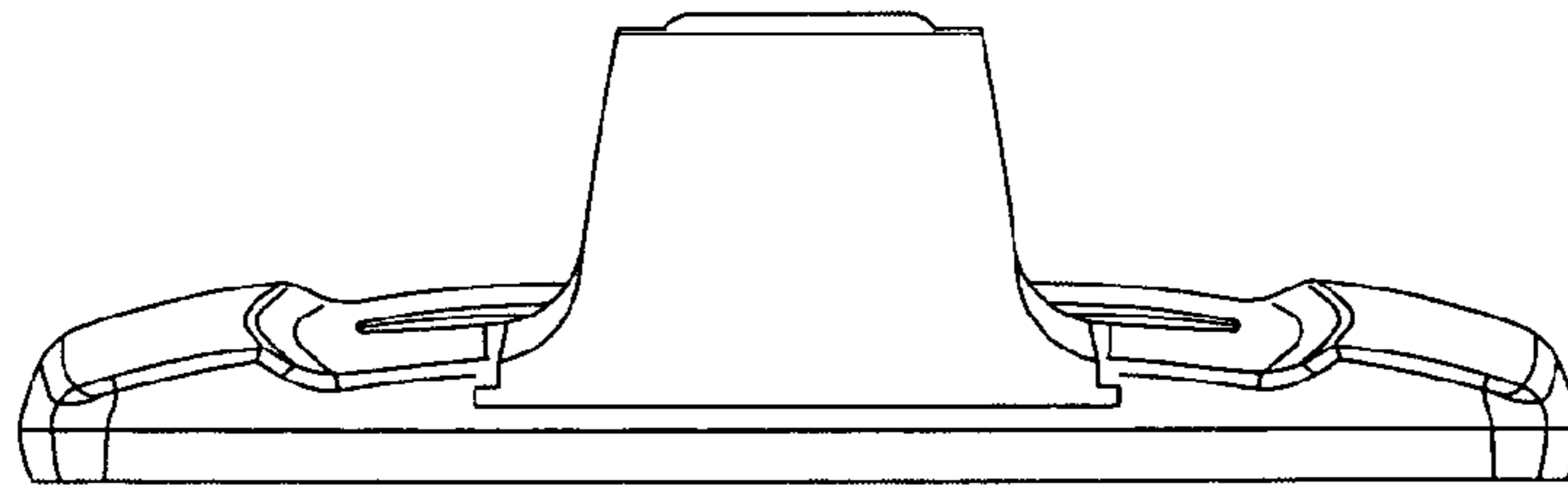


FIG. 5

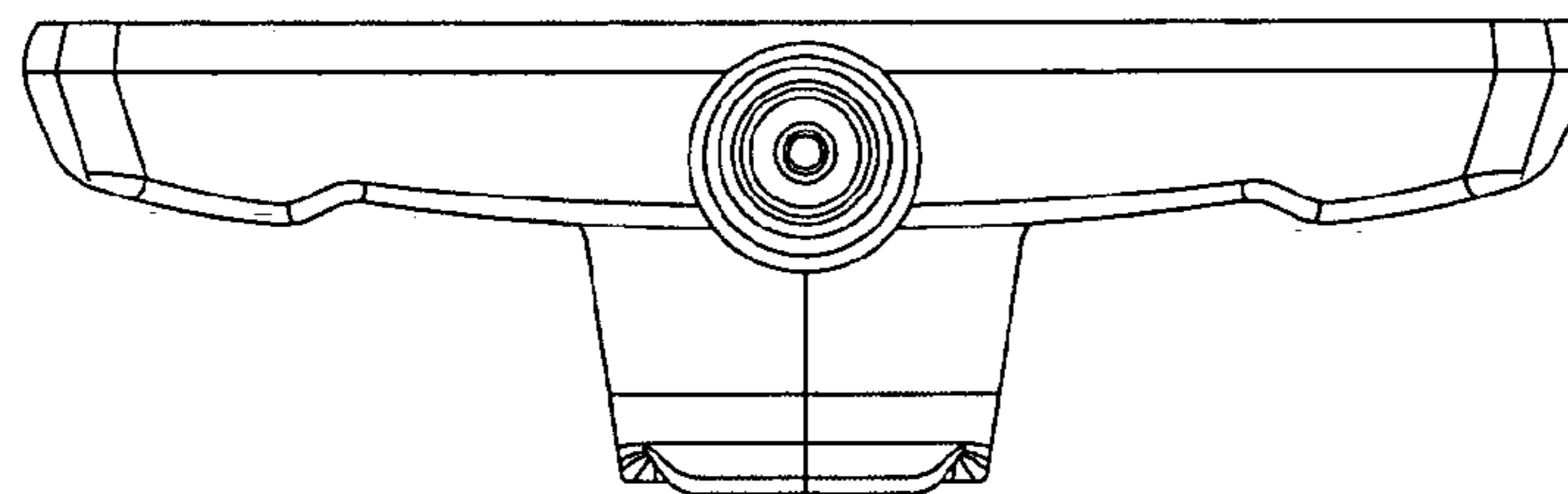


FIG. 6

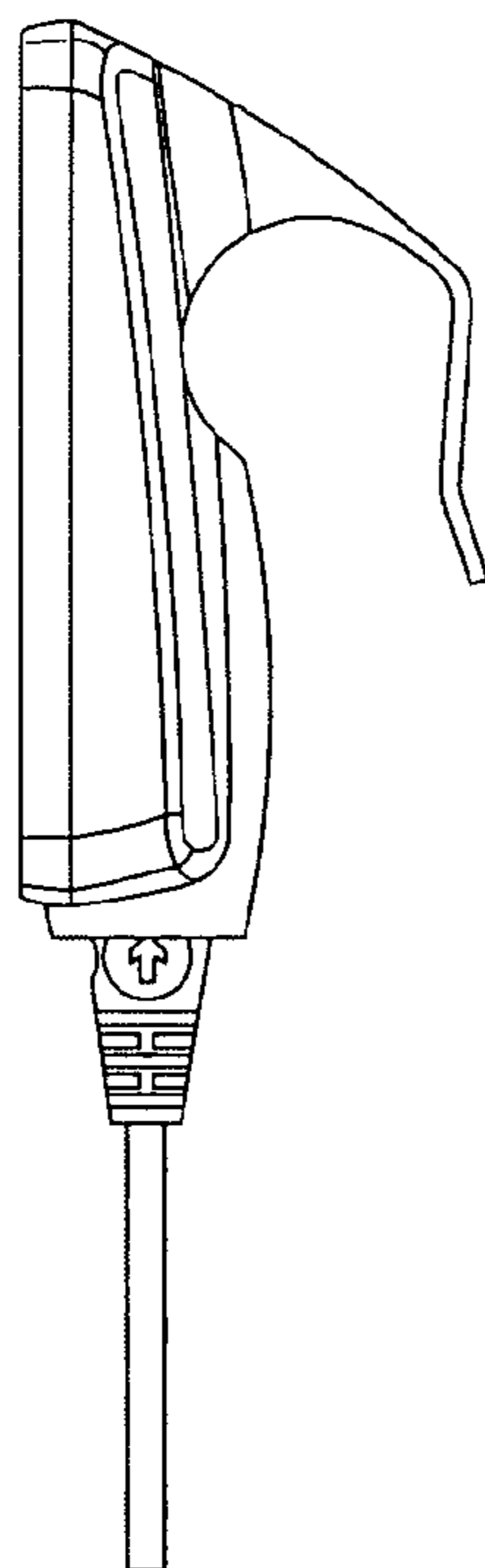


FIG. 7

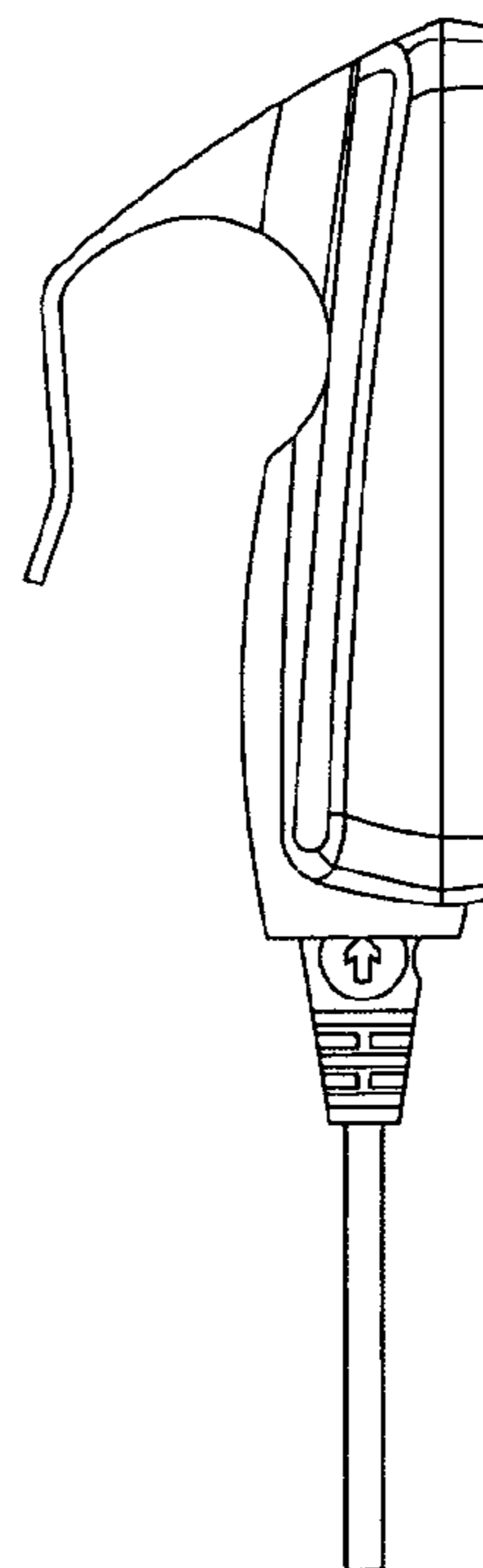


FIG. 8

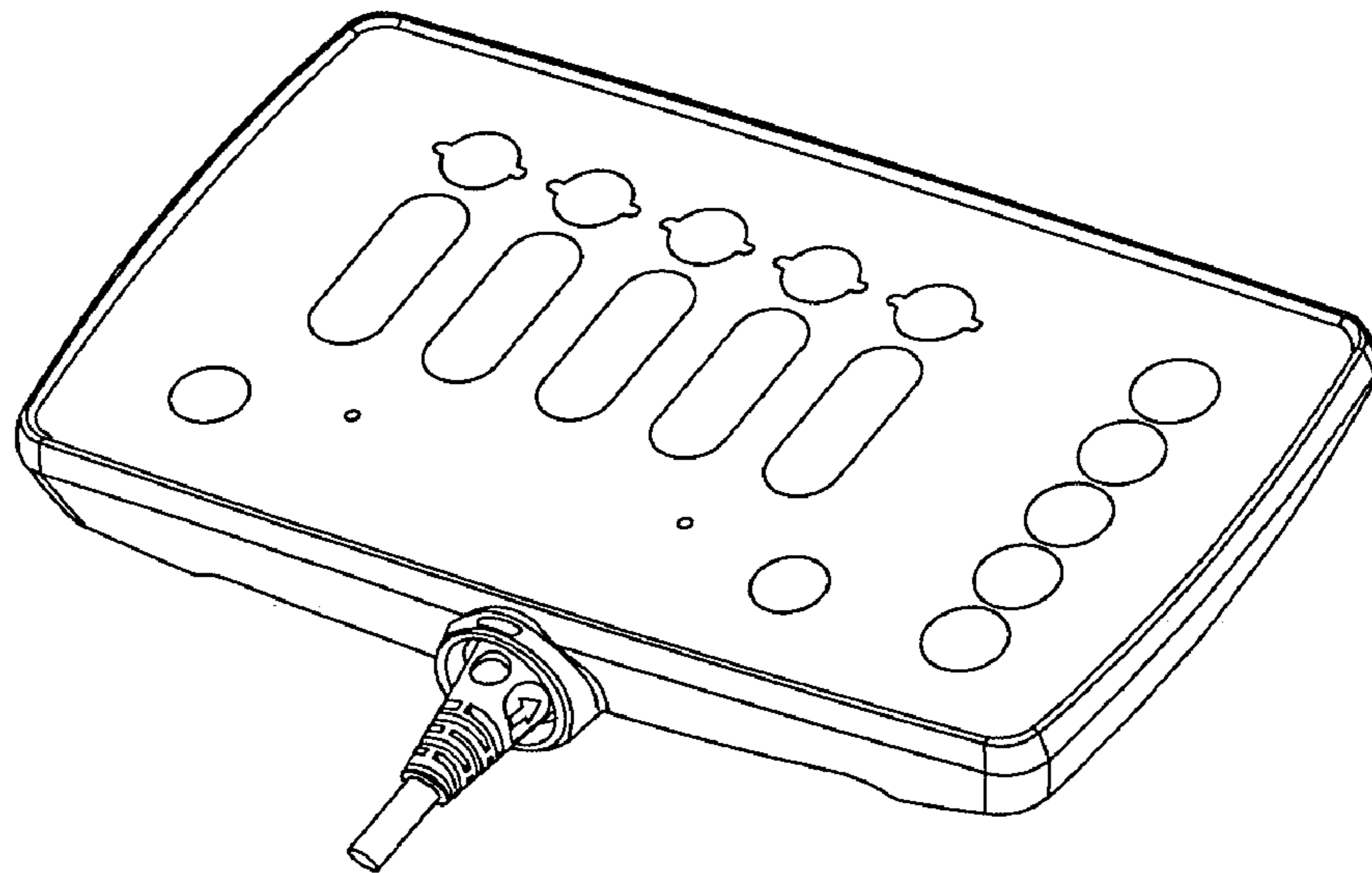


FIG. 9

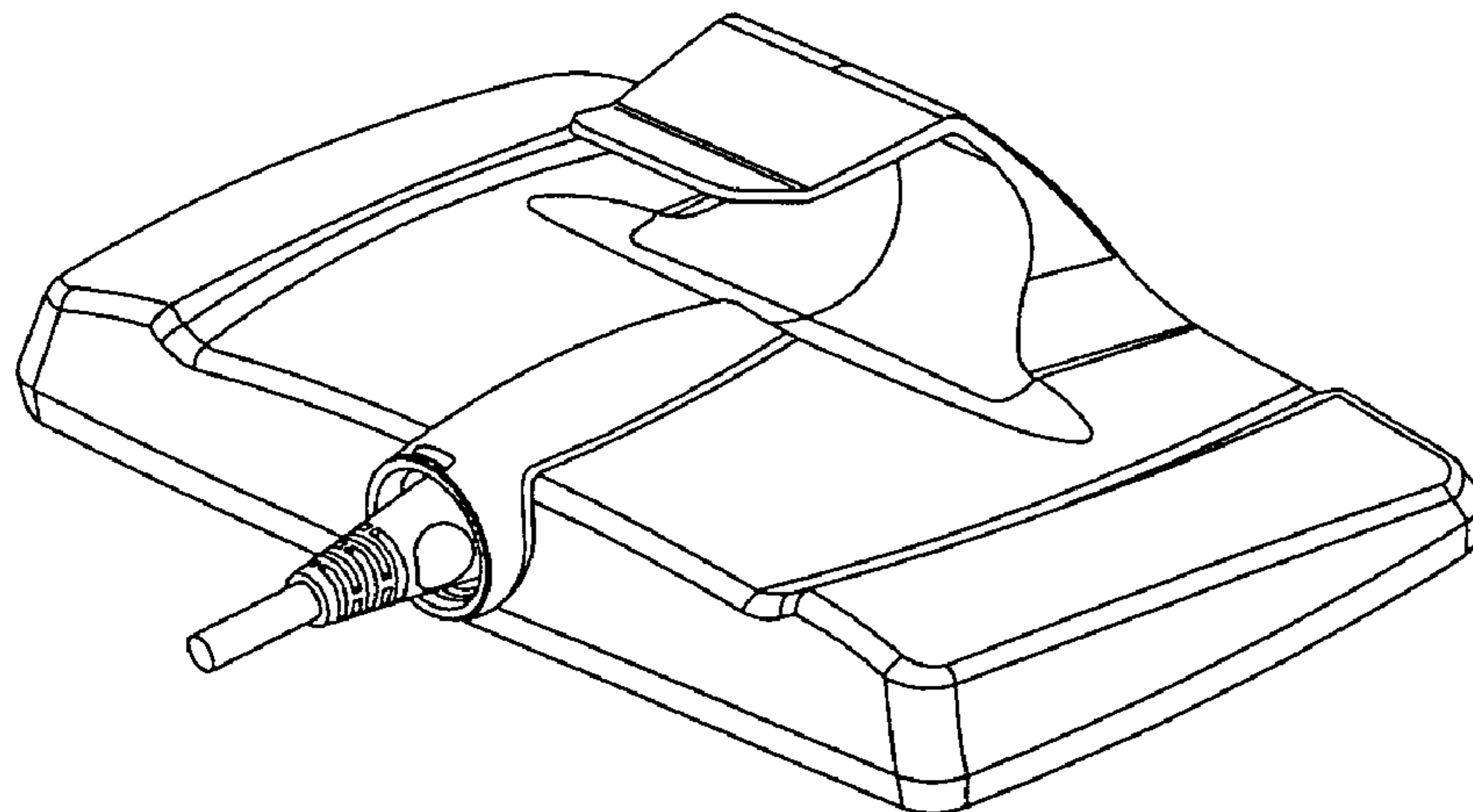


FIG. 10

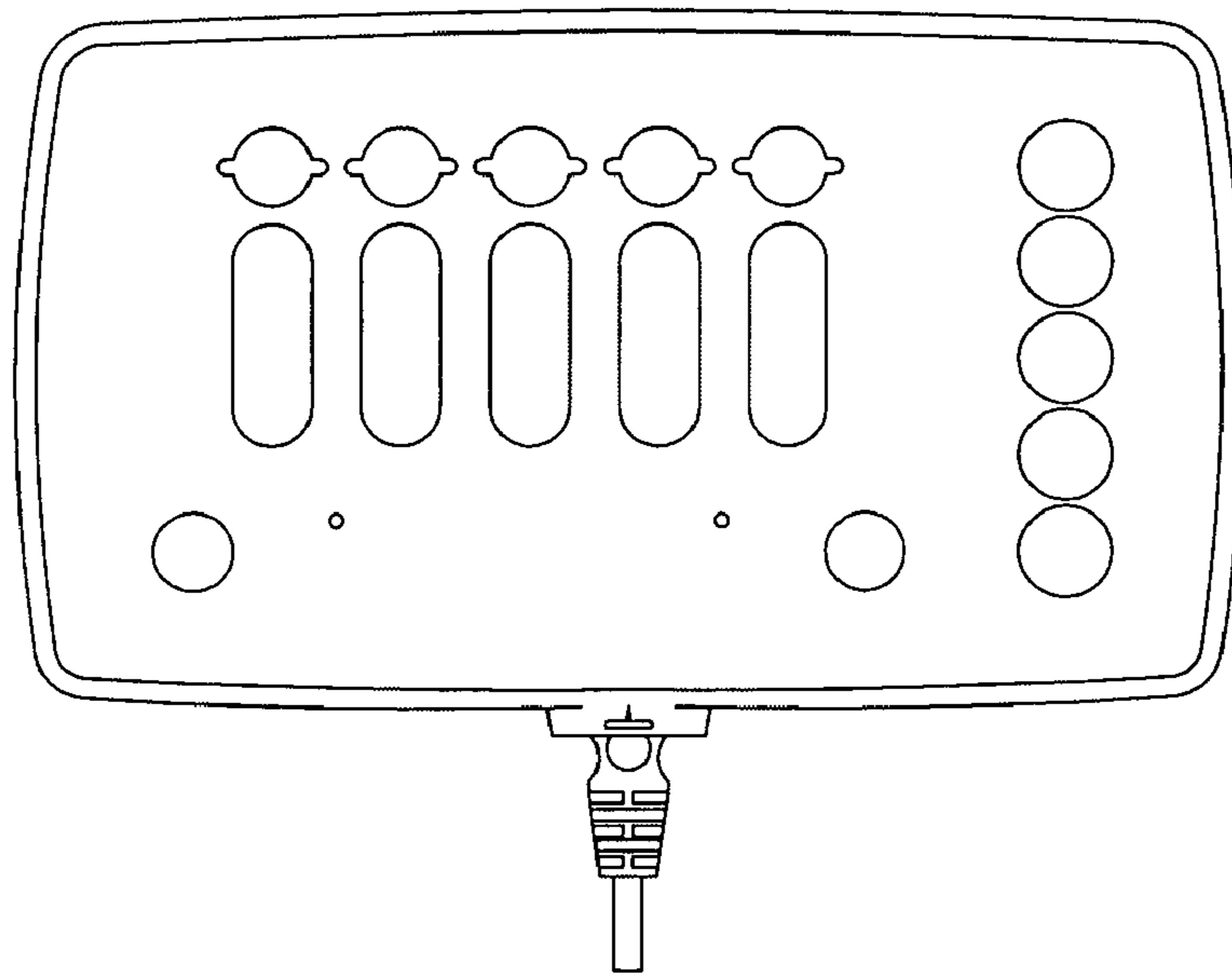


FIG. 11

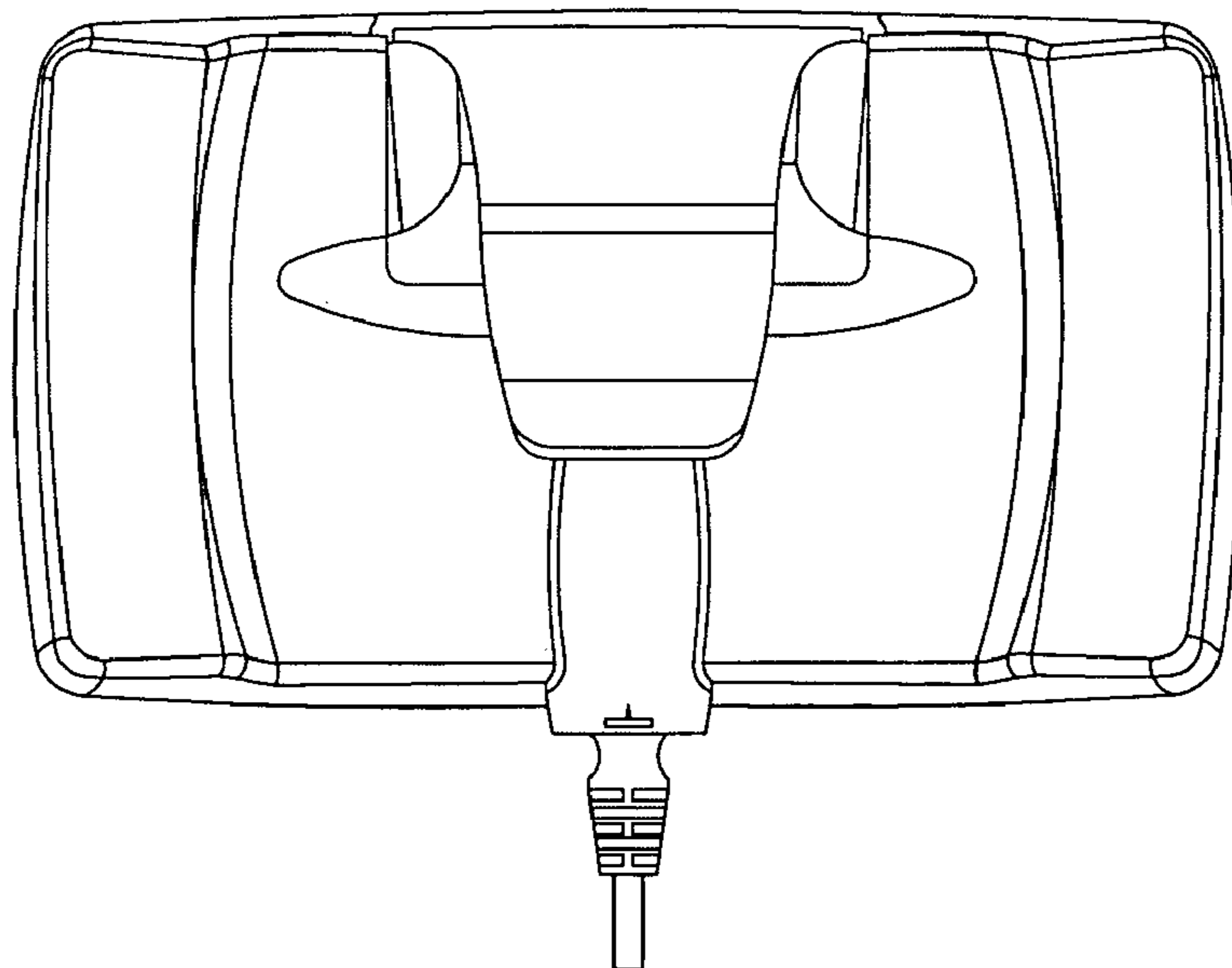


FIG. 12

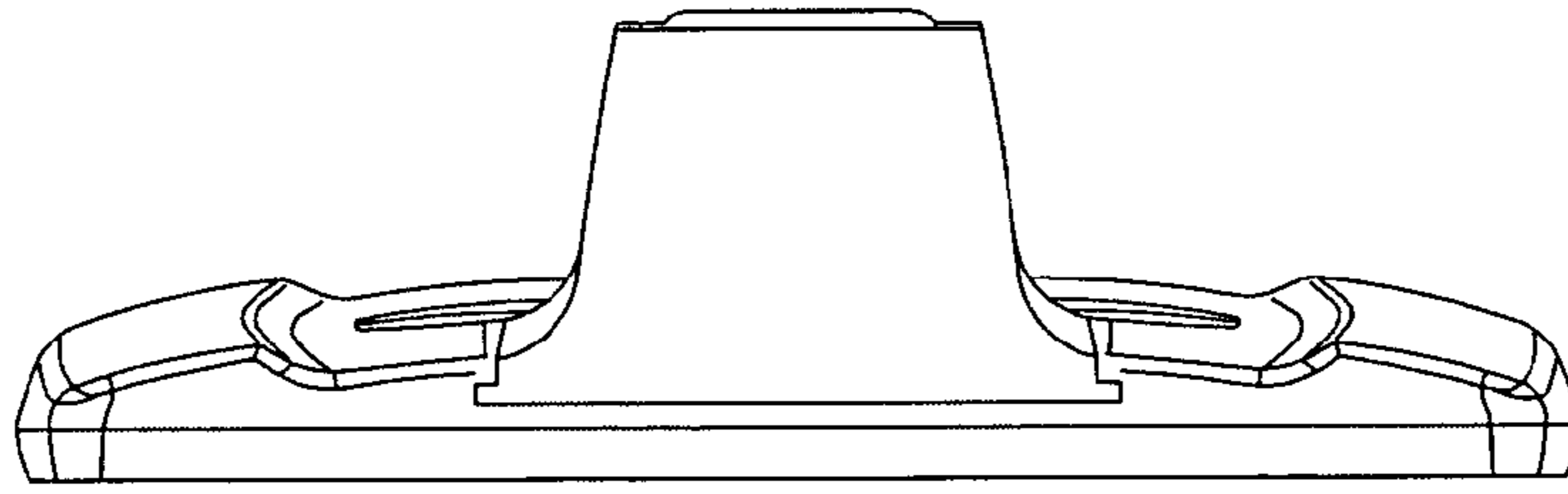


FIG. 13

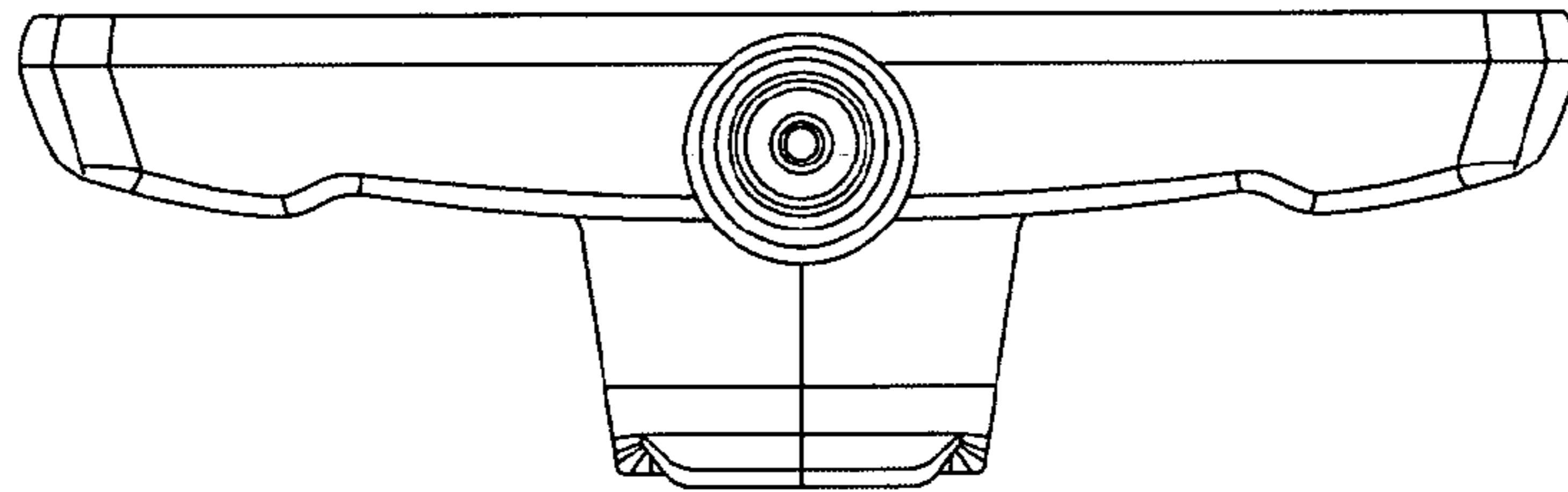


FIG. 14

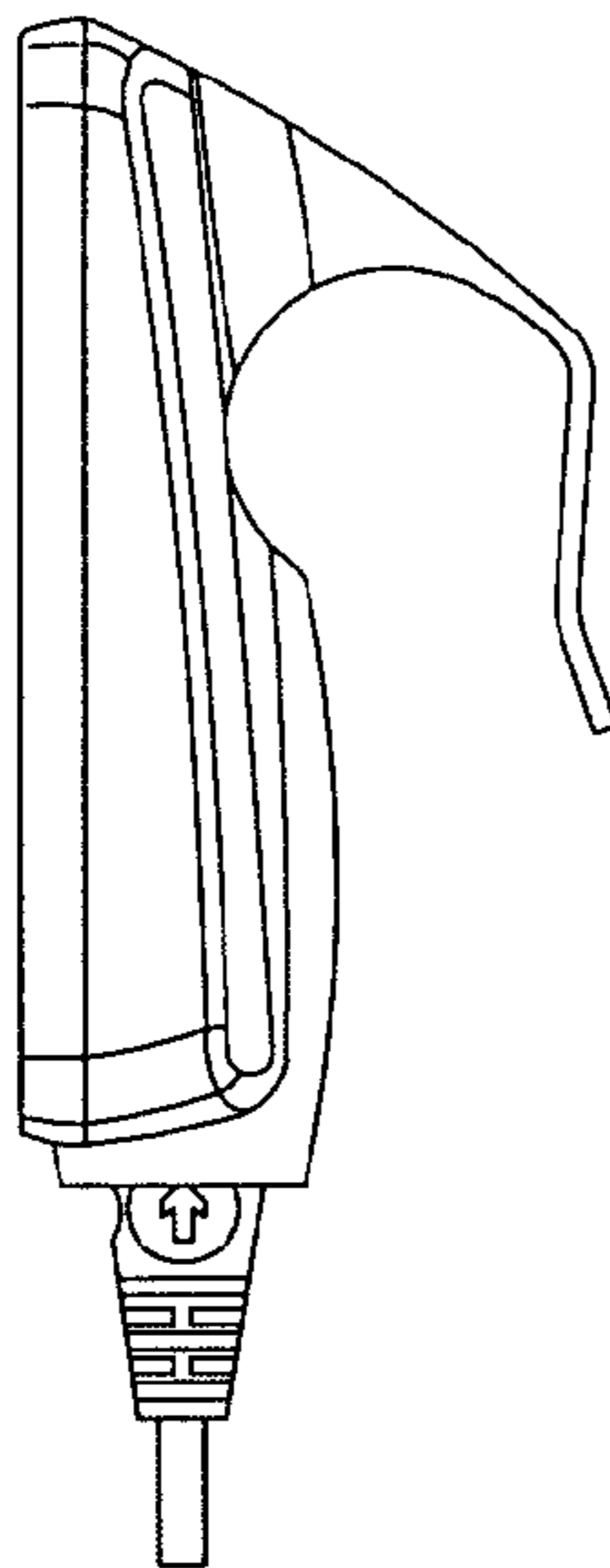


FIG. 15

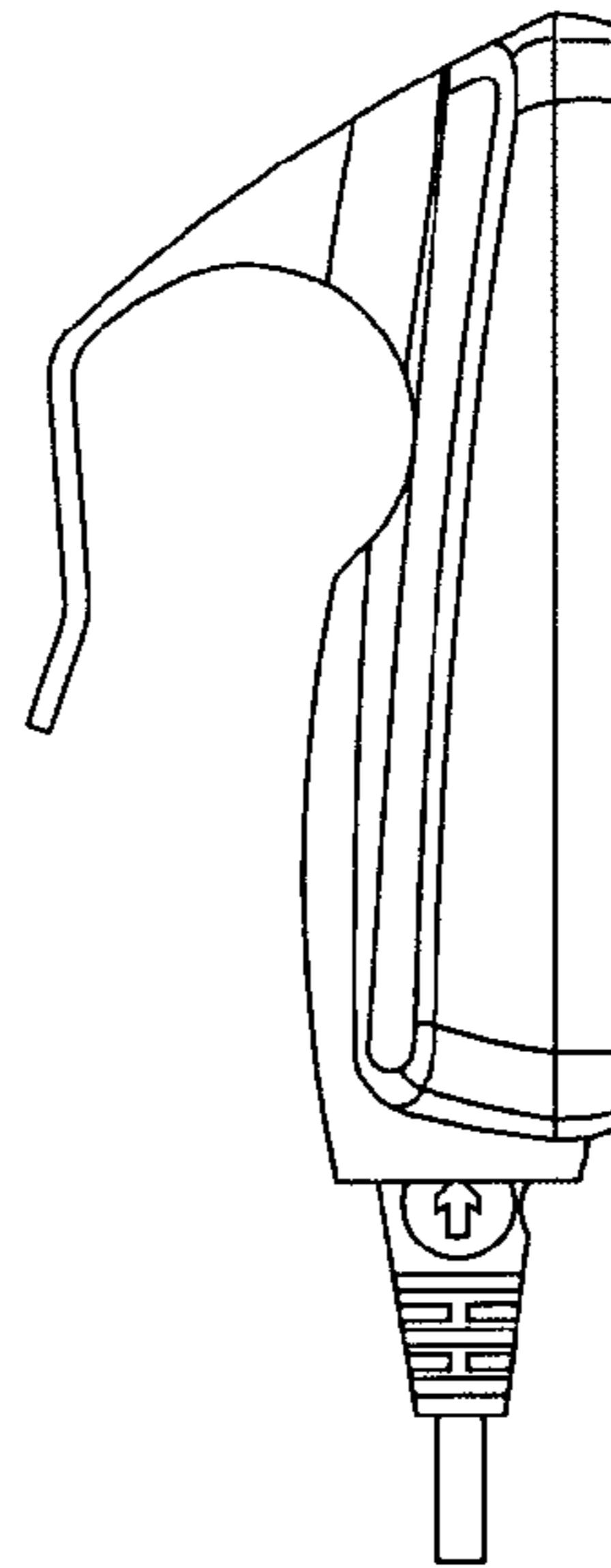


FIG. 16