



US00D575238S

(12) **United States Design Patent**
Neuber et al.

(10) **Patent No.:** **US D575,238 S**
(45) **Date of Patent:** **** Aug. 19, 2008**

(54) **JUNCTION BOX**

(75) Inventors: **Tobias Neuber**, Neu-Ulm (DE); **Edwin R. Laessle**, Langenau (DE)

(73) Assignee: **Vega Grieshaber KG**, Wolfach (DE)

(**) Term: **14 Years**

(21) Appl. No.: **29/279,660**

(22) Filed: **May 4, 2007**

(30) **Foreign Application Priority Data**

Nov. 10, 2006 (EM) 000619309

(51) **LOC (8) Cl.** **13-03**

(52) **U.S. Cl.** **D13/152**

(58) **Field of Classification Search** D13/139.4,
D13/152, 156, 184; 174/50, 53-55, 58, 60,
174/66, 67; 220/3.2, 3.3, 3.7-3.9, 241, 242,
220/244, 315; 439/135, 136, 138, 142, 367,
439/373, 535, 536, 537, 541, 892, 938

See application file for complete search history.

(56) **References Cited**

U.S. PATENT DOCUMENTS

D52,944 S *	2/1919	Boyton	D13/152
1,622,333 A *	3/1927	Meschenmoser	174/75 D
3,288,910 A *	11/1966	Zerwes	174/53
4,915,638 A *	4/1990	Domian	439/142
D312,244 S *	11/1990	Collins et al.	D13/152
5,903,444 A *	5/1999	Sekido et al.	361/819
D418,114 S *	12/1999	Hayduke et al.	D13/156
6,007,353 A *	12/1999	Webster	439/142
6,068,511 A *	5/2000	Hsiang	439/579
6,378,173 B1 *	4/2002	Ho et al.	16/373
D468,701 S *	1/2003	Byrne	D13/156
6,881,094 B2 *	4/2005	Magyar et al.	439/535
D556,145 S *	11/2007	Williams et al.	D13/152

* cited by examiner

Primary Examiner—Jennifer Rivard

Assistant Examiner—Rosemary K Tarcza

(74) *Attorney, Agent, or Firm*—Fay Kaplun & Marcin, LLP

(57) **CLAIM**

The ornamental design for a junction box, as shown and described.

DESCRIPTION

FIG. 1 is a top side perspective view of a first embodiment of a junction box showing our new design;

FIG. 2 is an opposite top side perspective view thereof;

FIG. 3 is a bottom side perspective view thereof;

FIG. 4 is an opposite bottom side perspective view thereof;

FIG. 5 is a top side perspective view of a second embodiment of a junction box showing our new design;

FIG. 6 is an opposite top side perspective view thereof;

FIG. 7 is a bottom side perspective view thereof;

FIG. 8 is an opposite bottom side perspective view thereof;

FIG. 9 is a front elevational view of a third embodiment of a junction box showing our new design;

FIG. 10 is a side view thereof;

FIG. 11 is a top plan view thereof;

FIG. 12 is an opposite side view thereof;

FIG. 13 is a rear elevational view thereof;

FIG. 14 is a bottom plan view thereof;

FIG. 15 is a top side perspective view of a fourth embodiment of a junction box showing our new design;

FIG. 16 is an opposite top side perspective view thereof;

FIG. 17 is a bottom side perspective view thereof;

FIG. 18 is an opposite bottom side perspective view thereof;

FIG. 19 is a top side perspective view of a fifth embodiment of a junction box showing our new design;

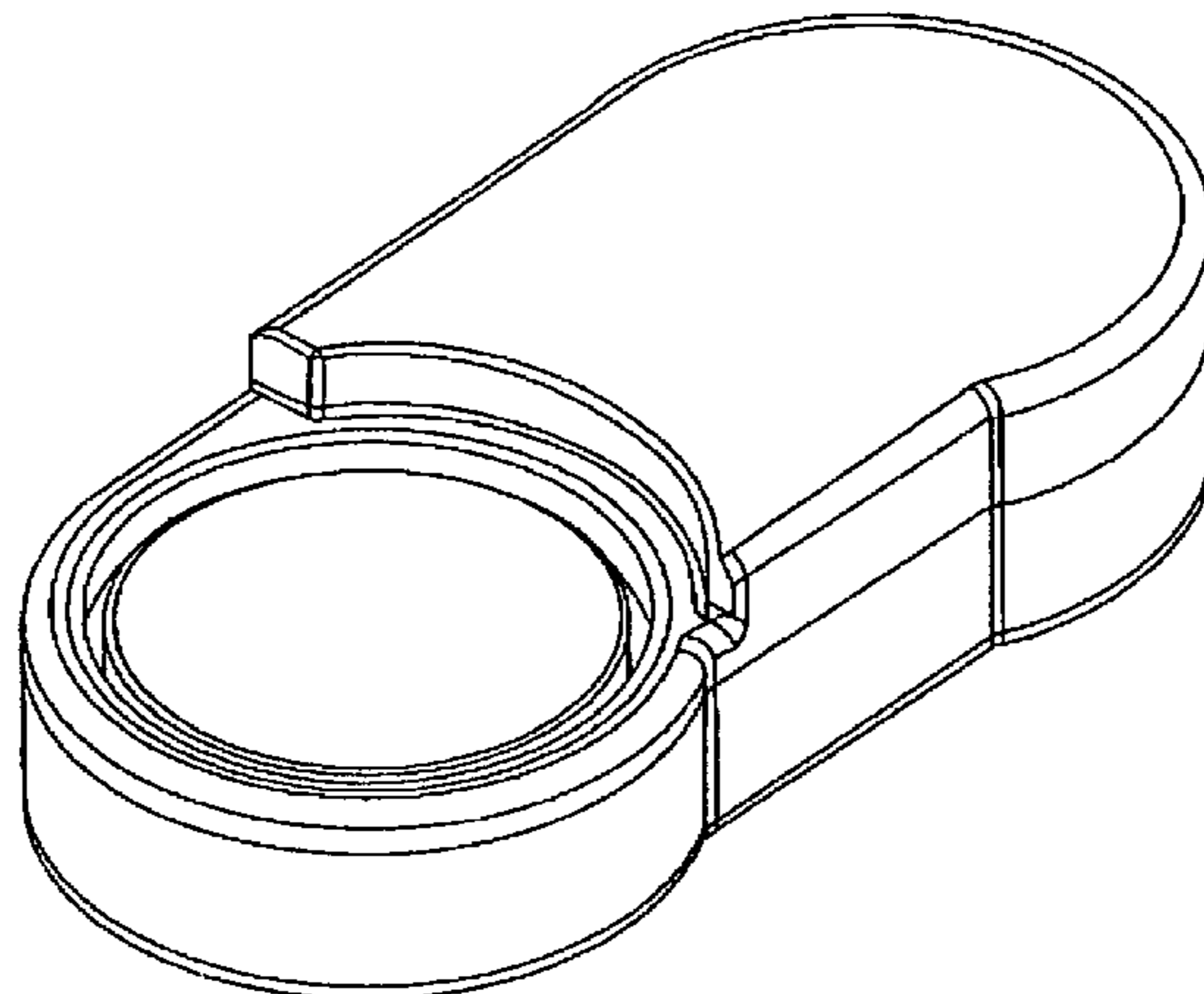
FIG. 20 is an opposite top side perspective view thereof;

FIG. 21 is a bottom side perspective view thereof; and,

FIG. 22 is an opposite bottom side perspective view thereof.

The broken lines shown in FIGS. 1-22 are included for illustrative purposes only and form no part of the claimed design.

1 Claim, 10 Drawing Sheets



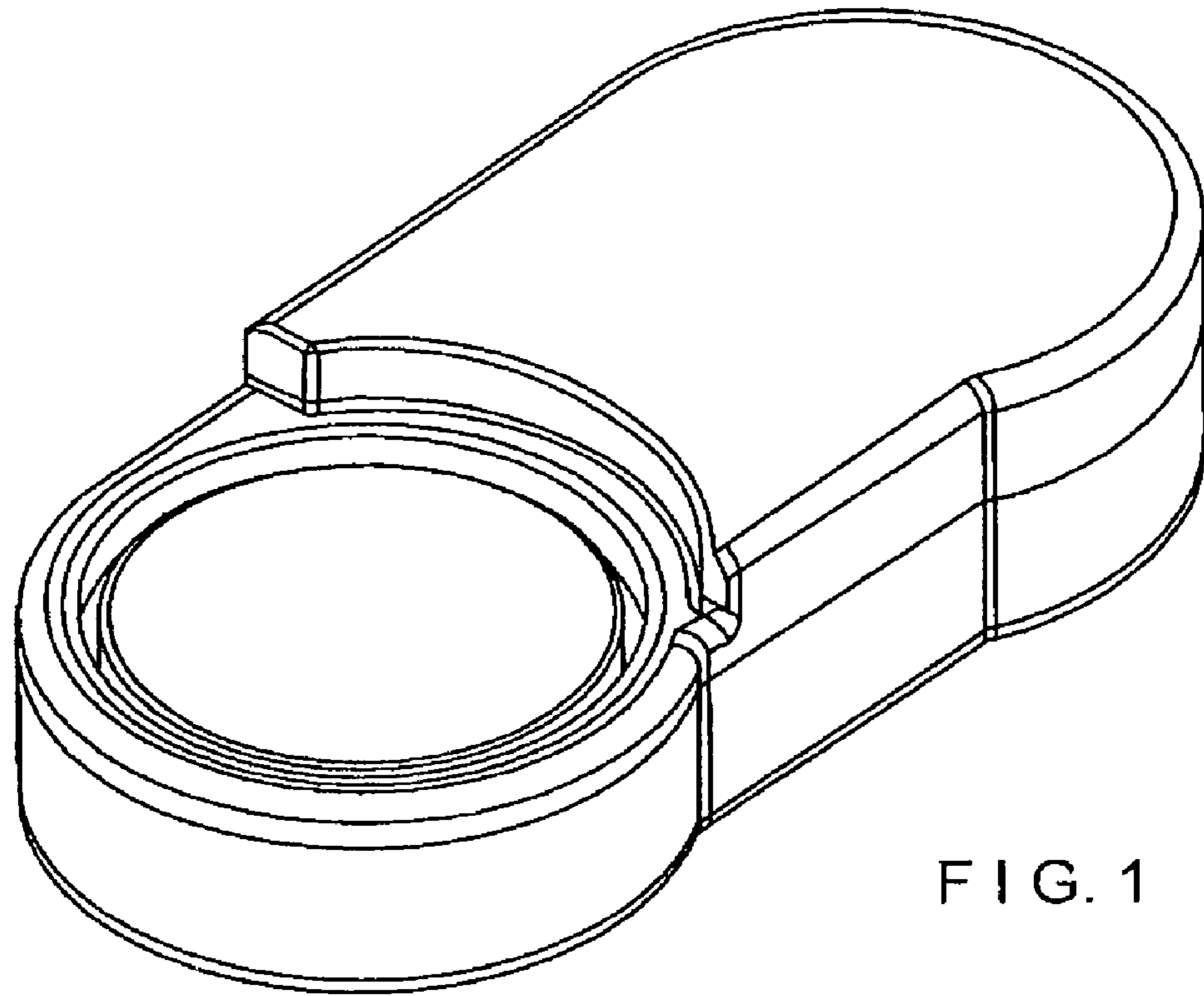


FIG. 1

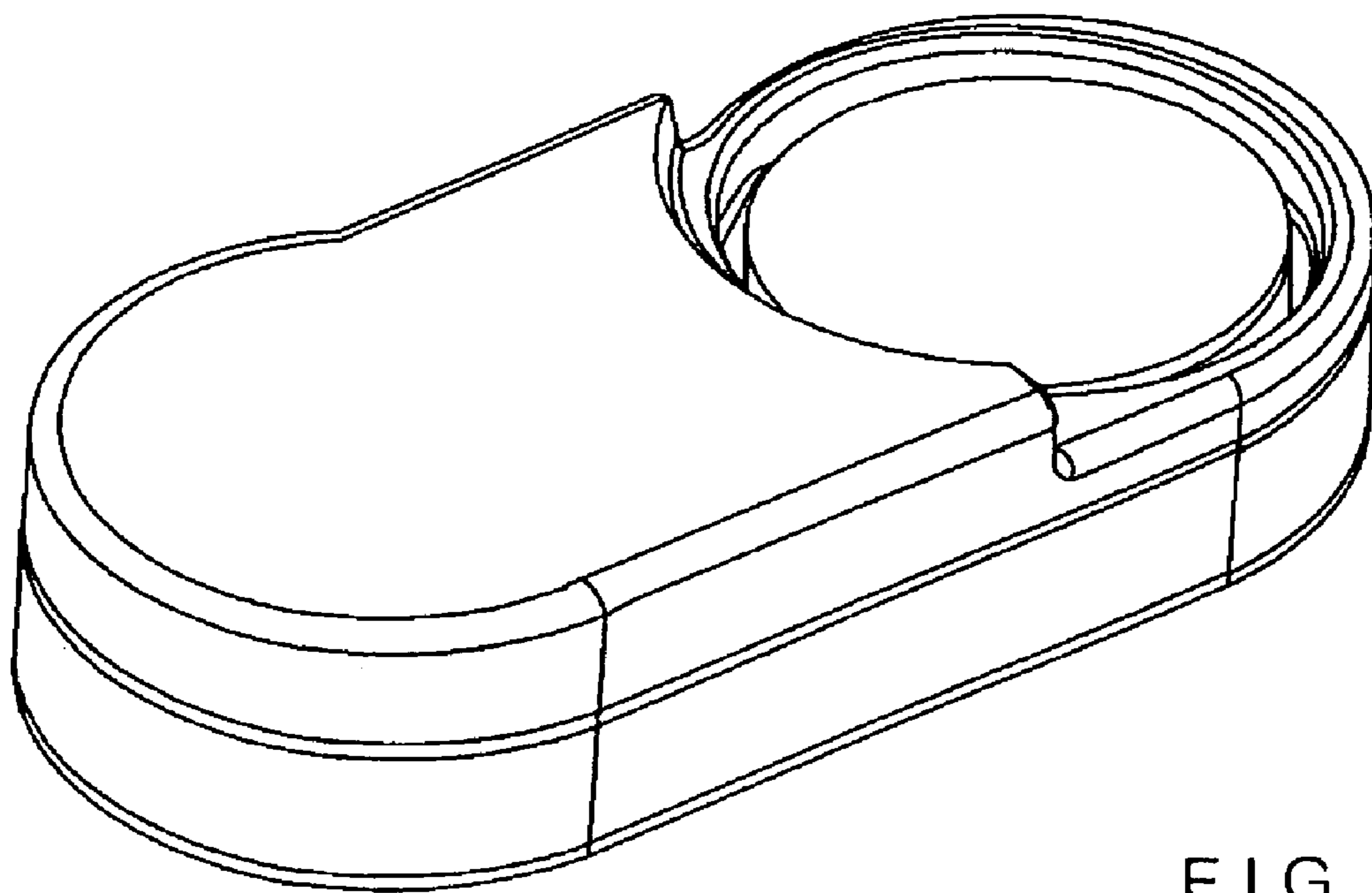


FIG. 2

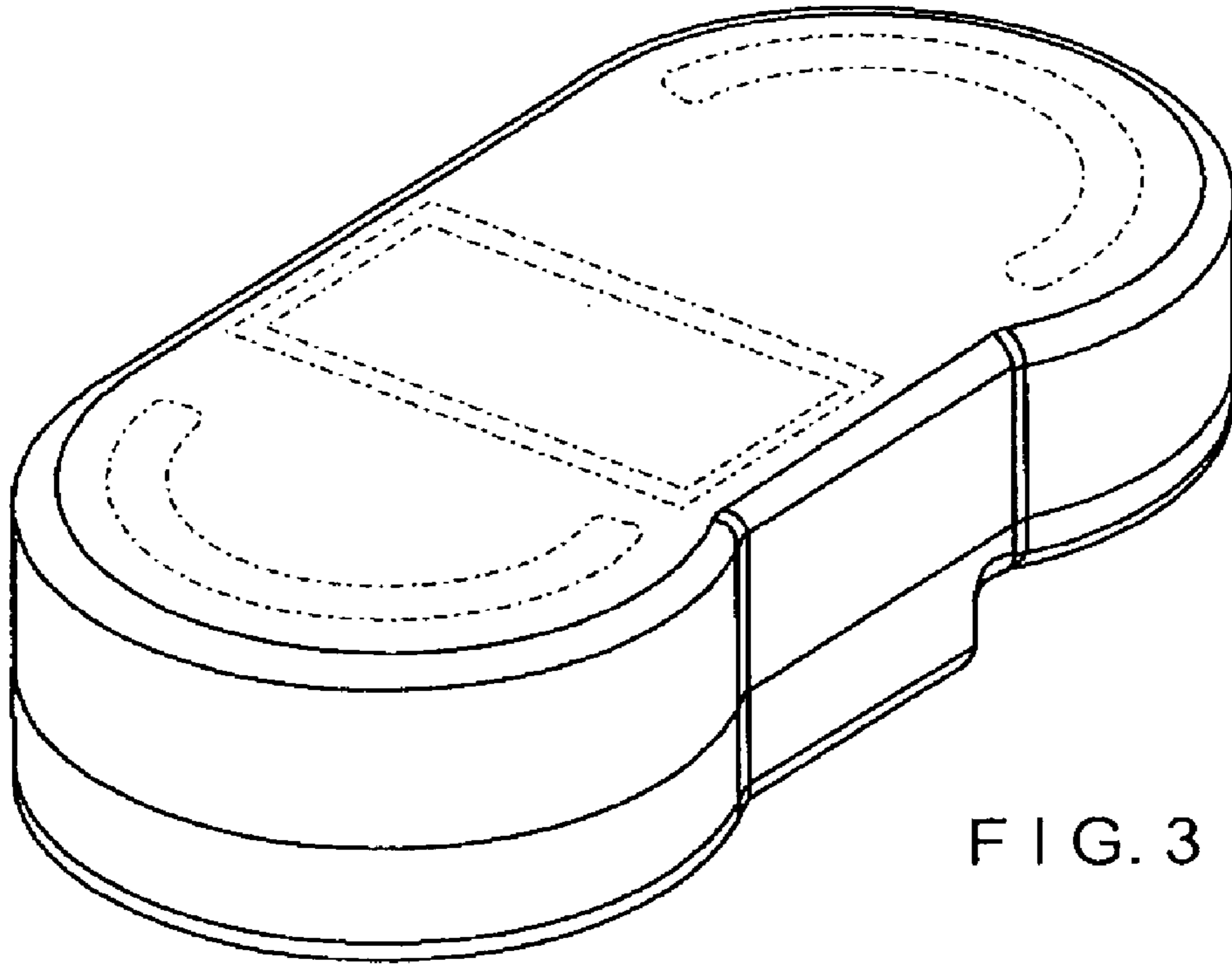


FIG. 3

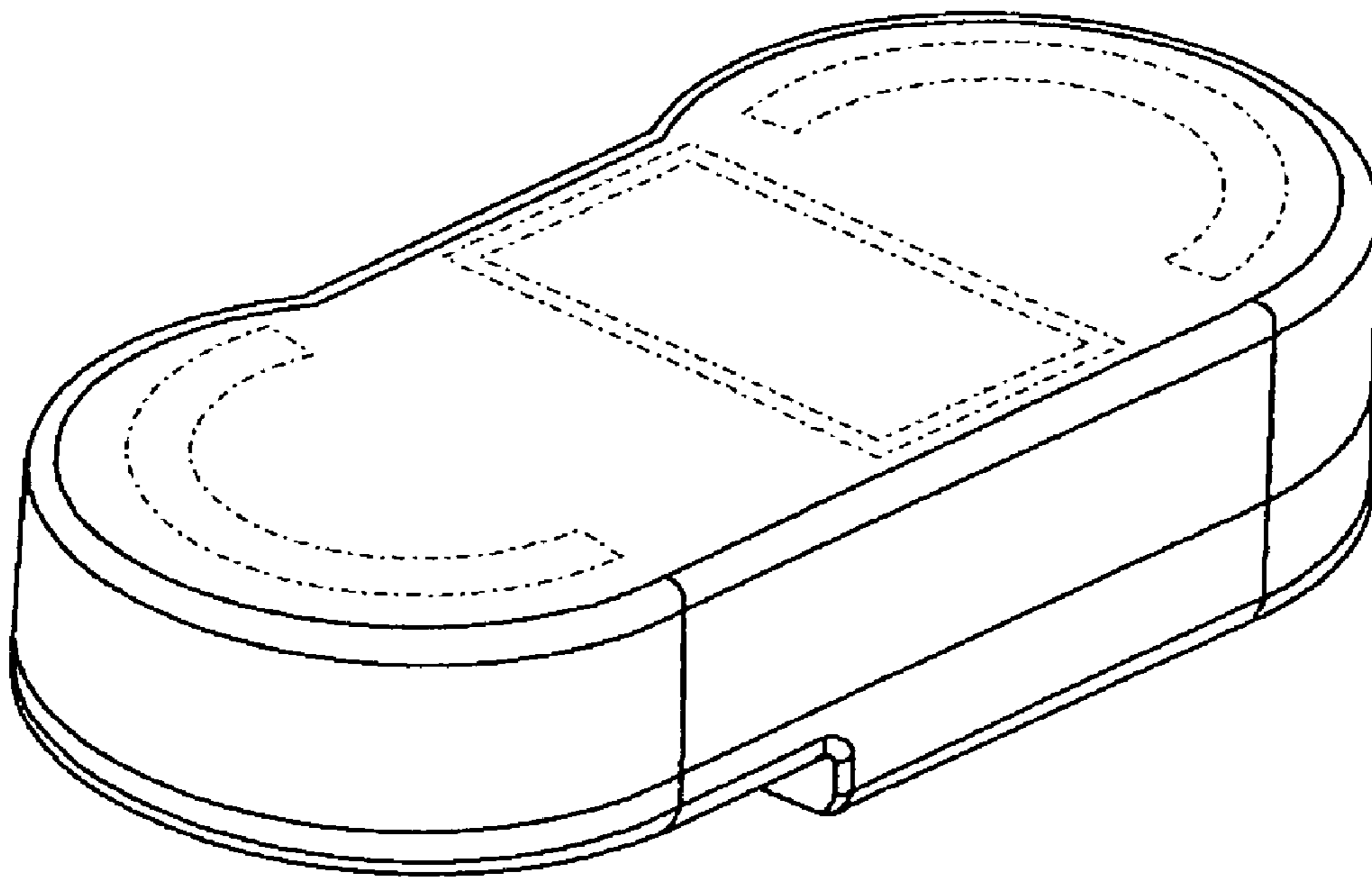


FIG. 4

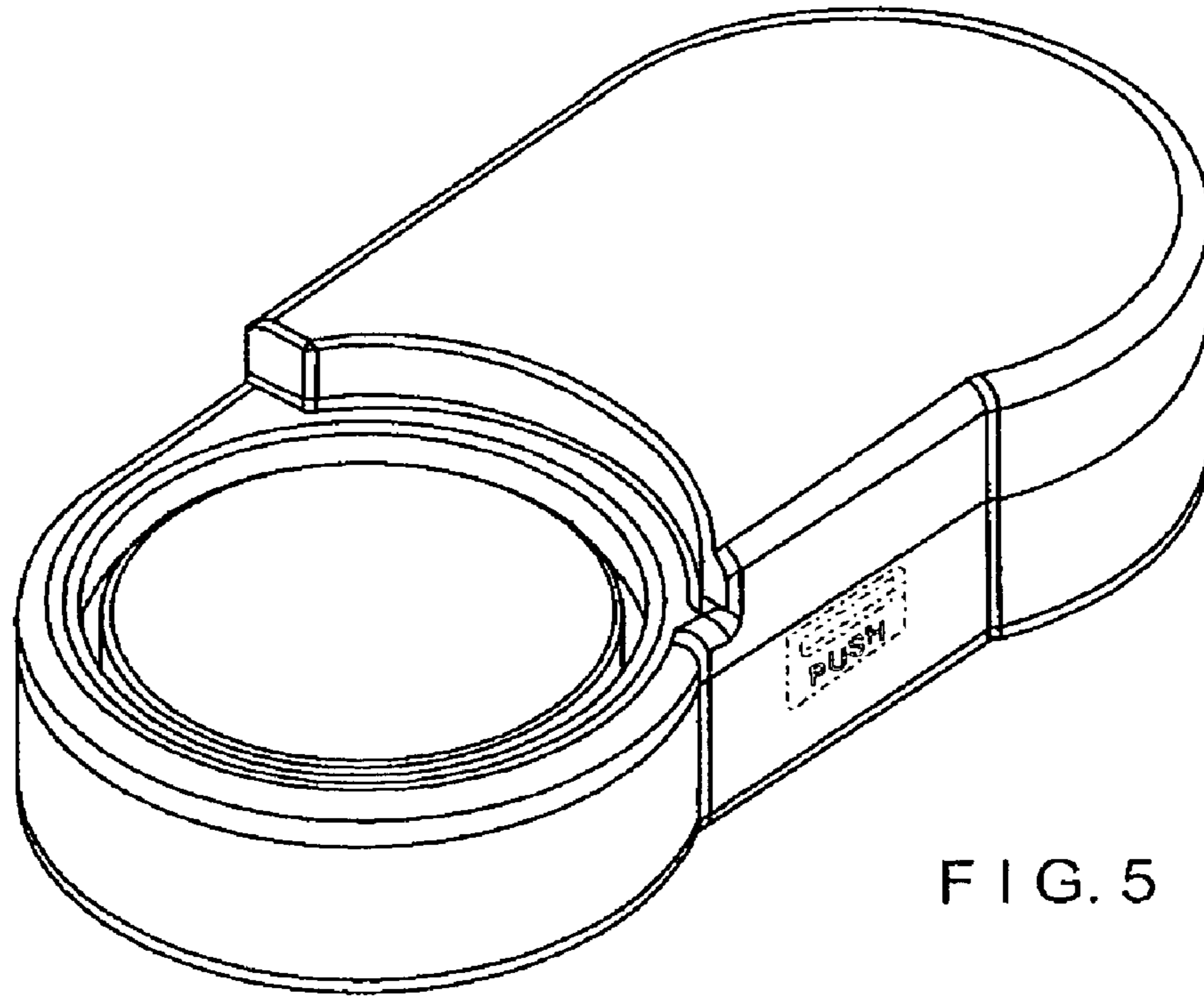


FIG. 5

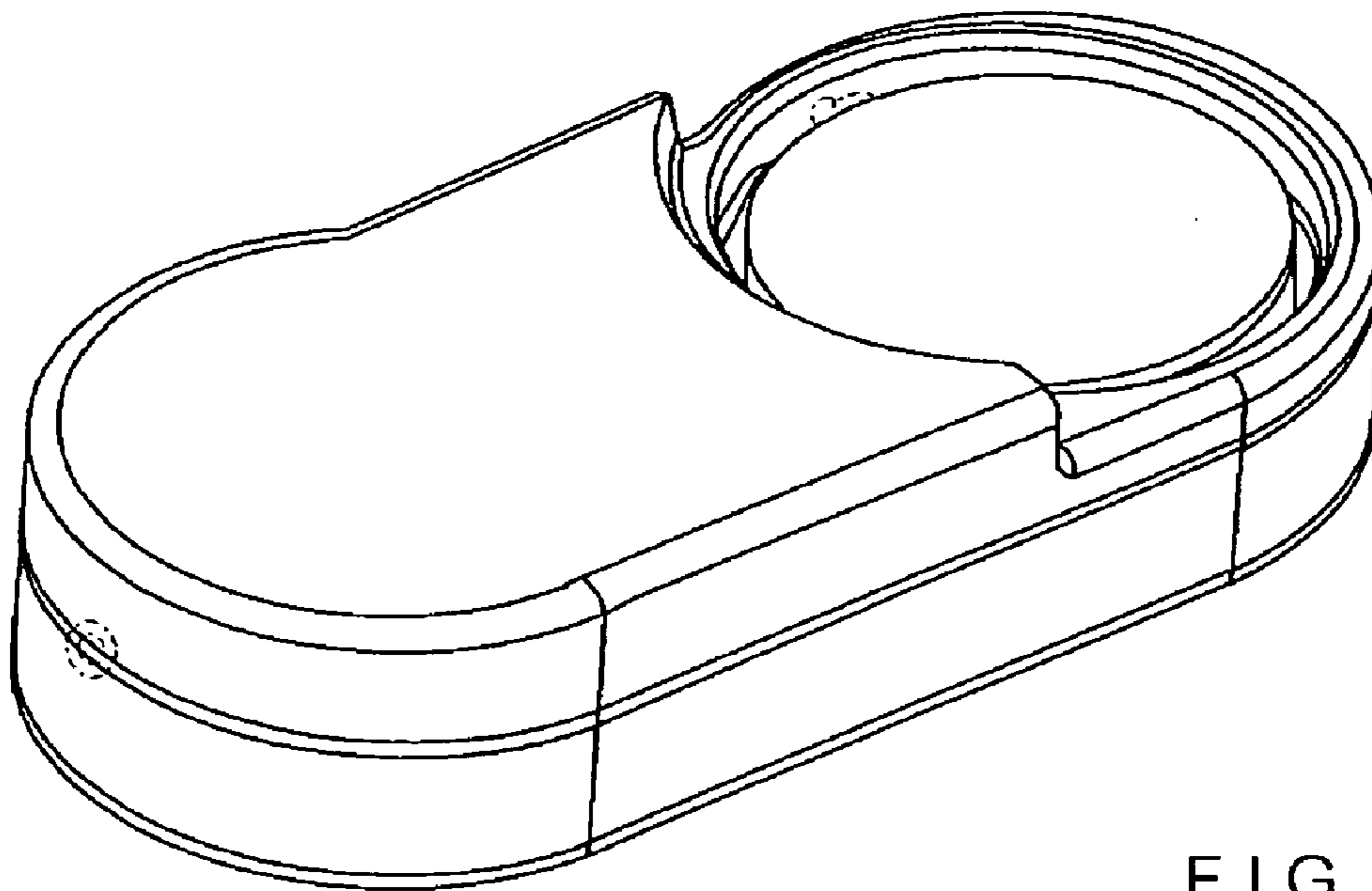


FIG. 6

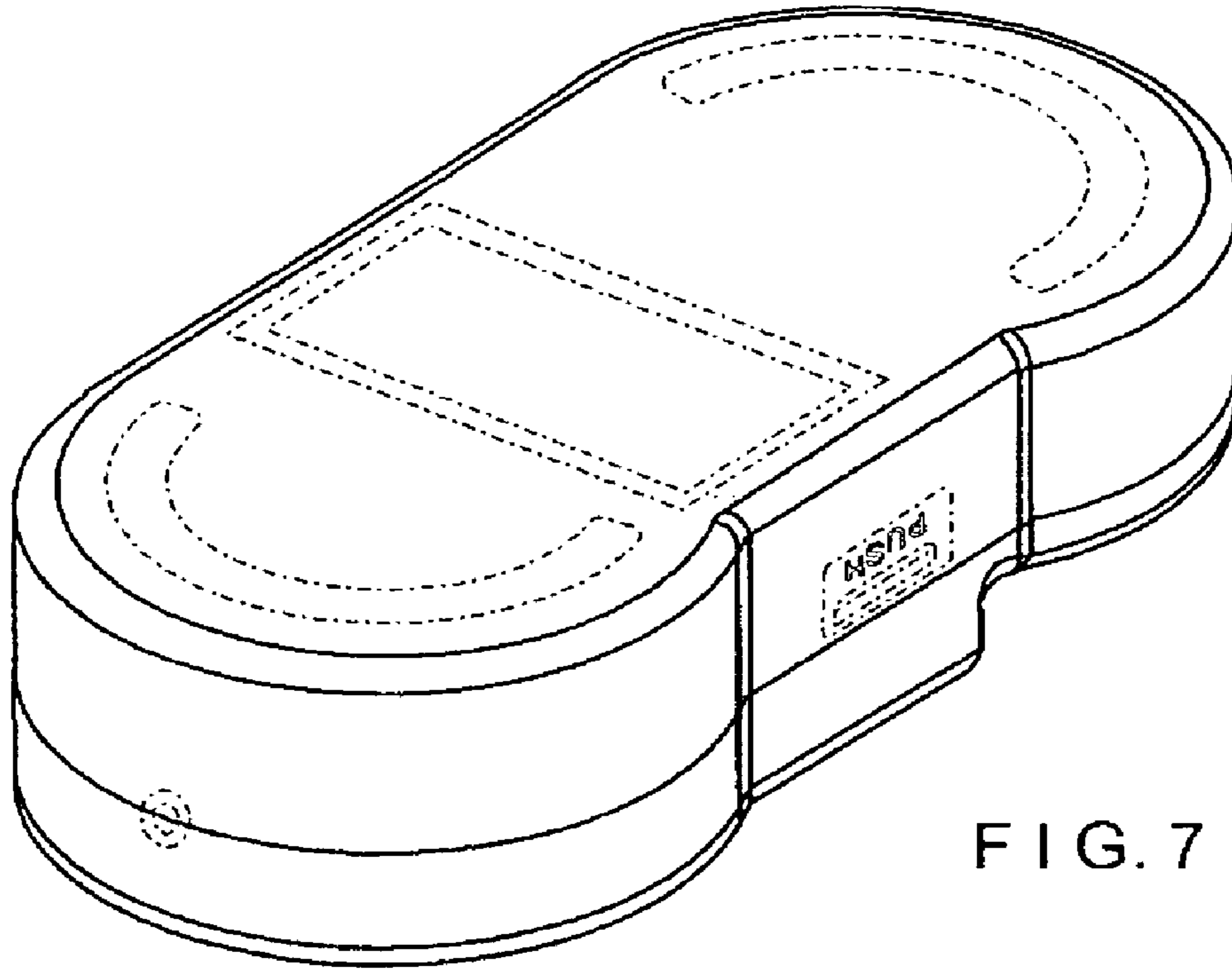


FIG. 7

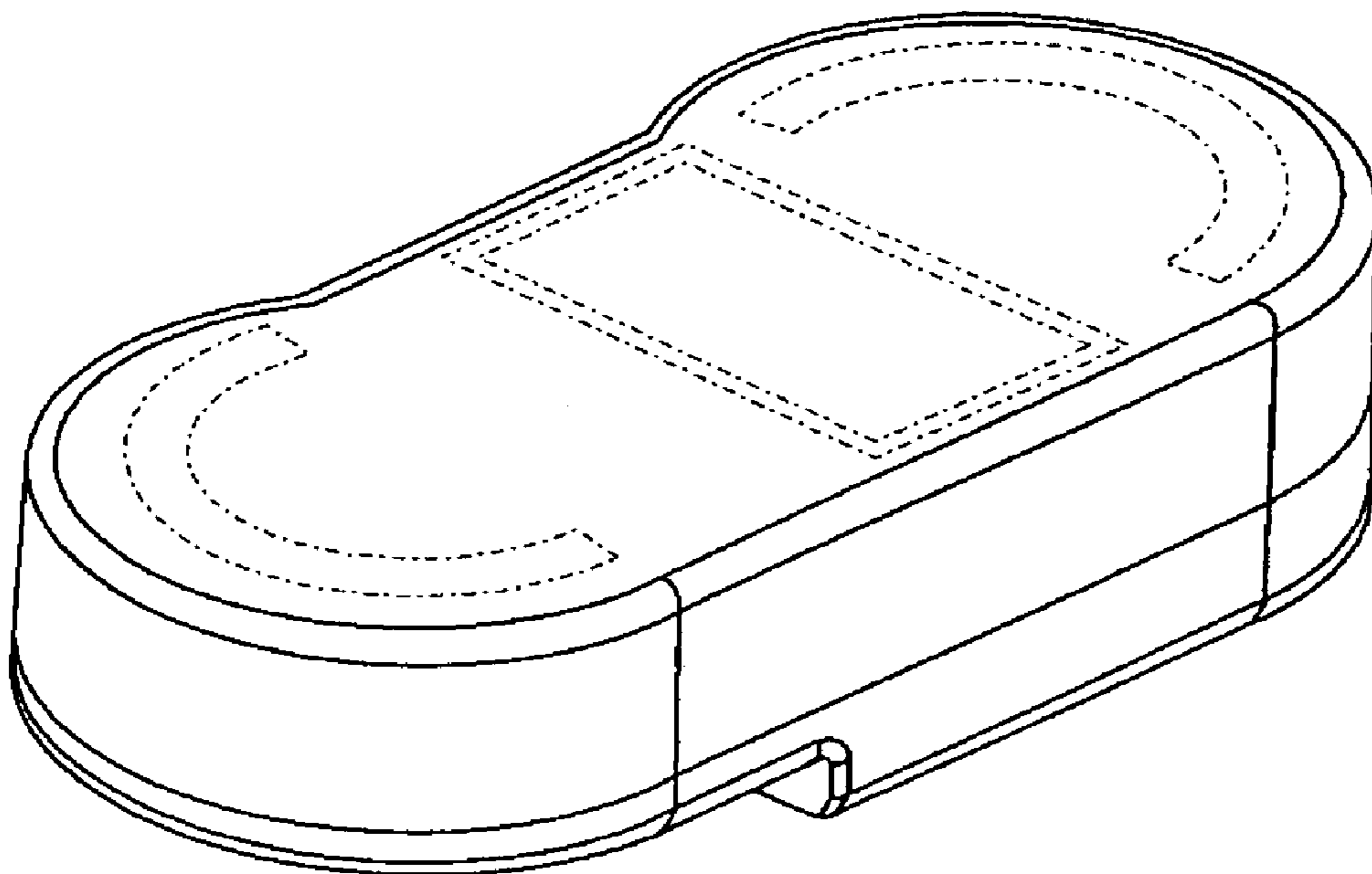


FIG. 8

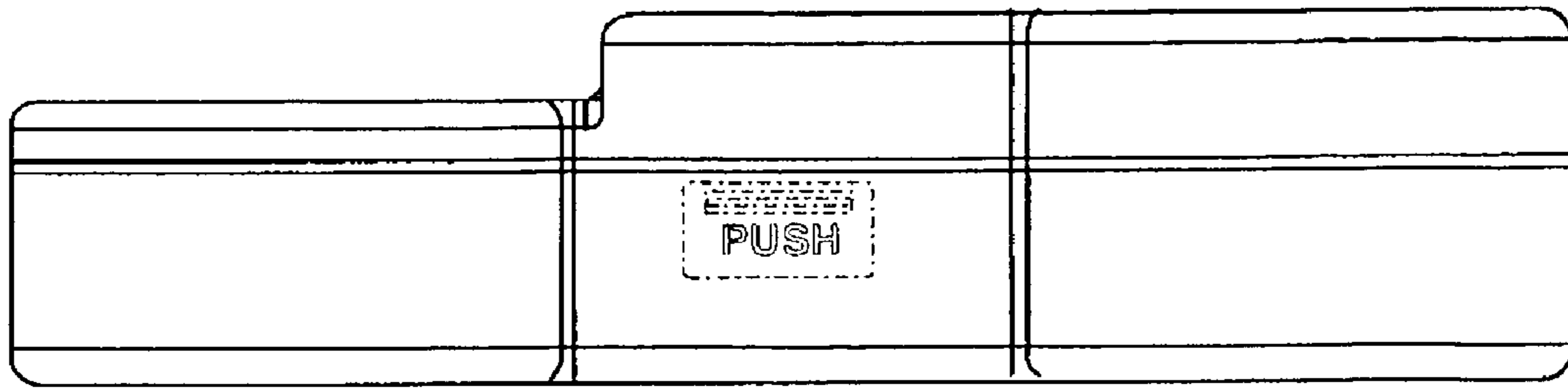


FIG. 9

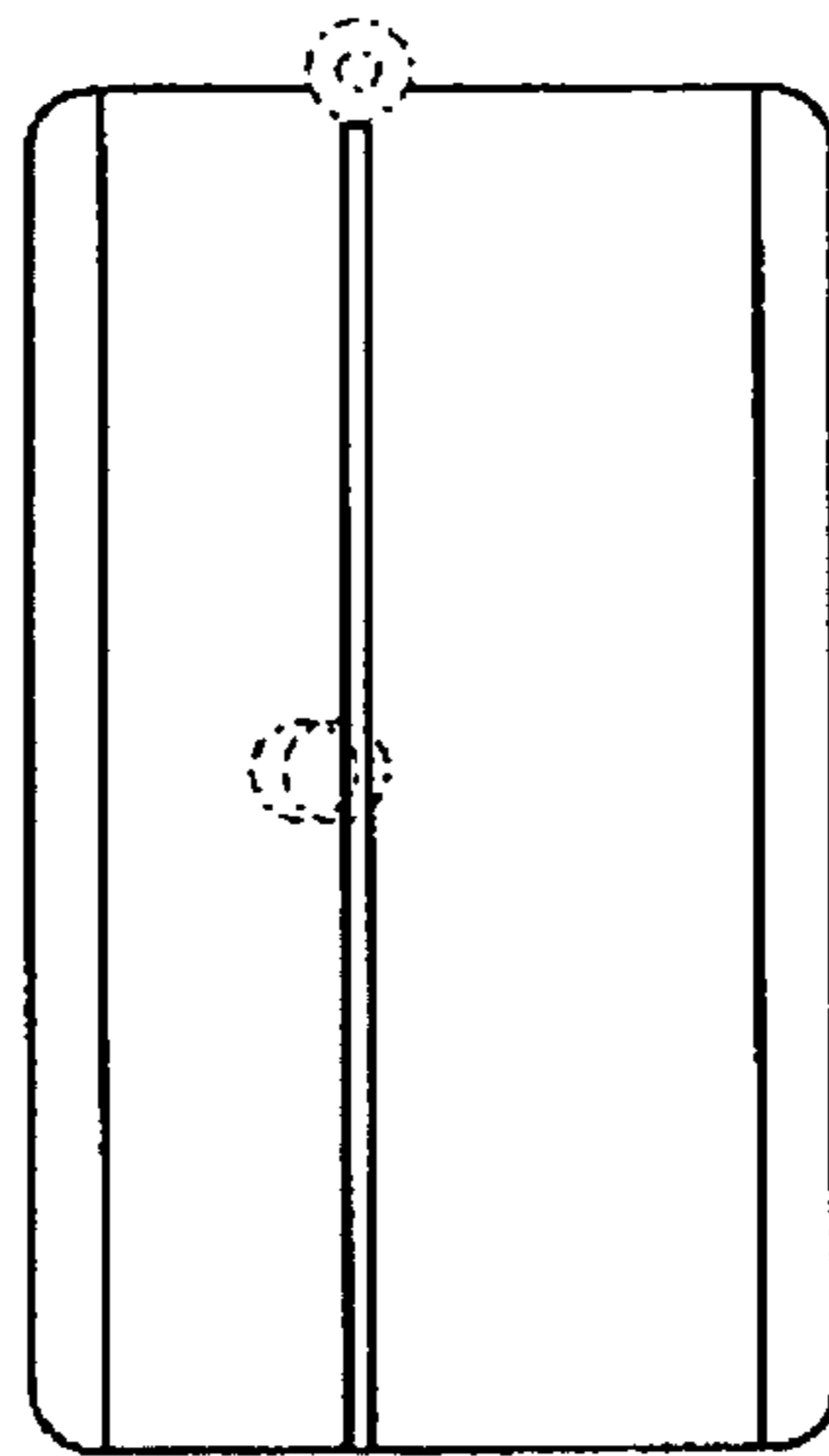


FIG. 10

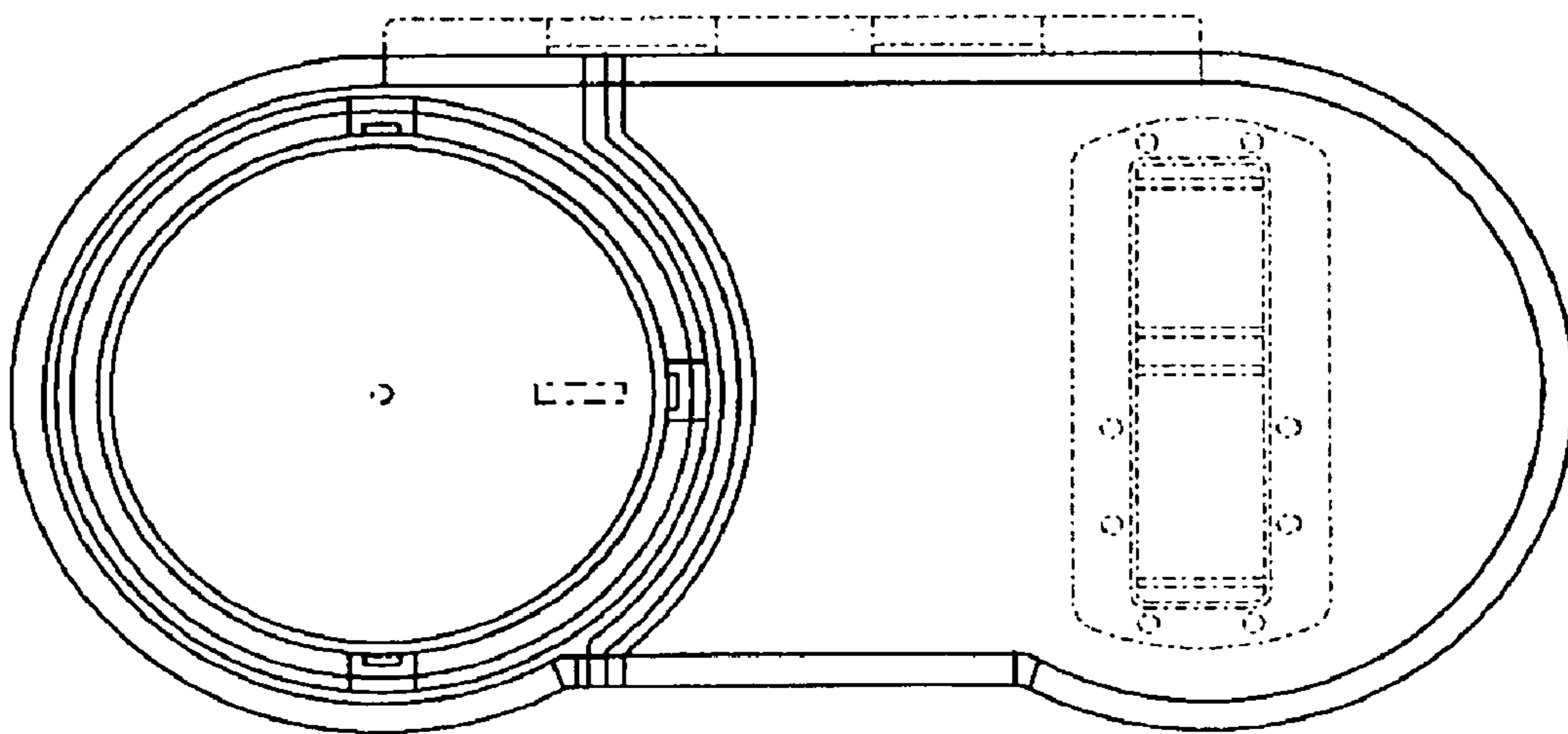


FIG. 11

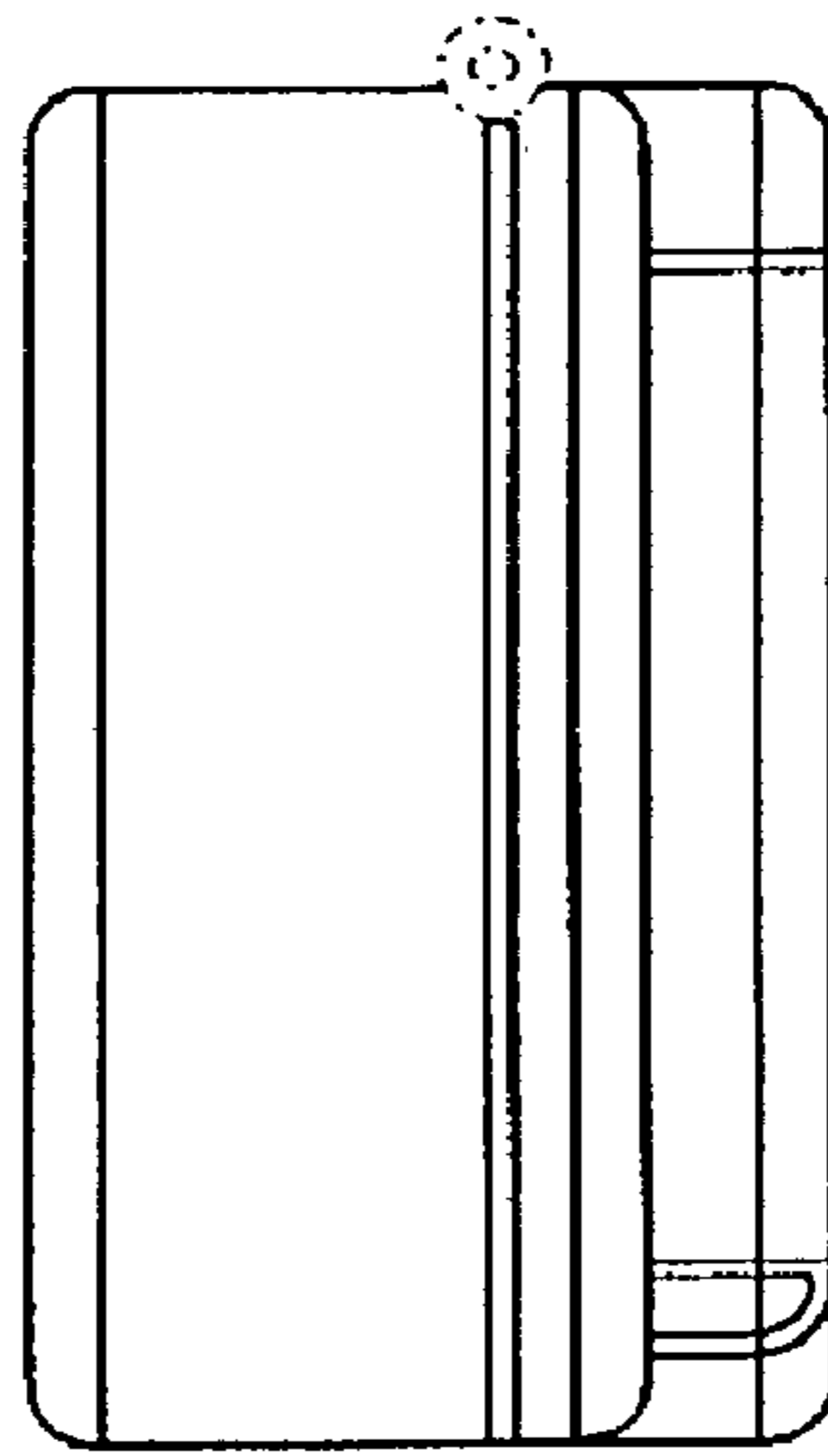


FIG. 12

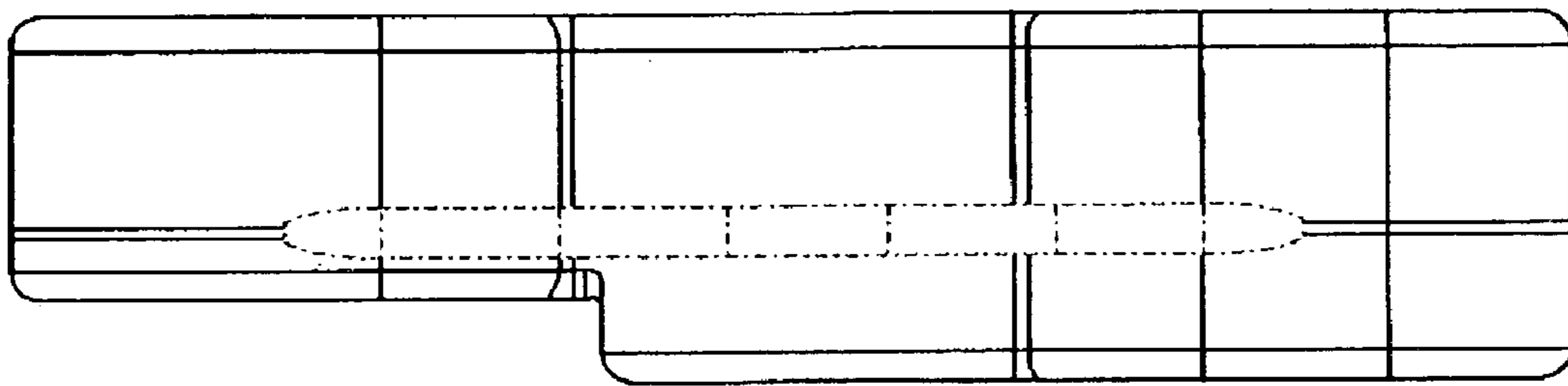


FIG. 13

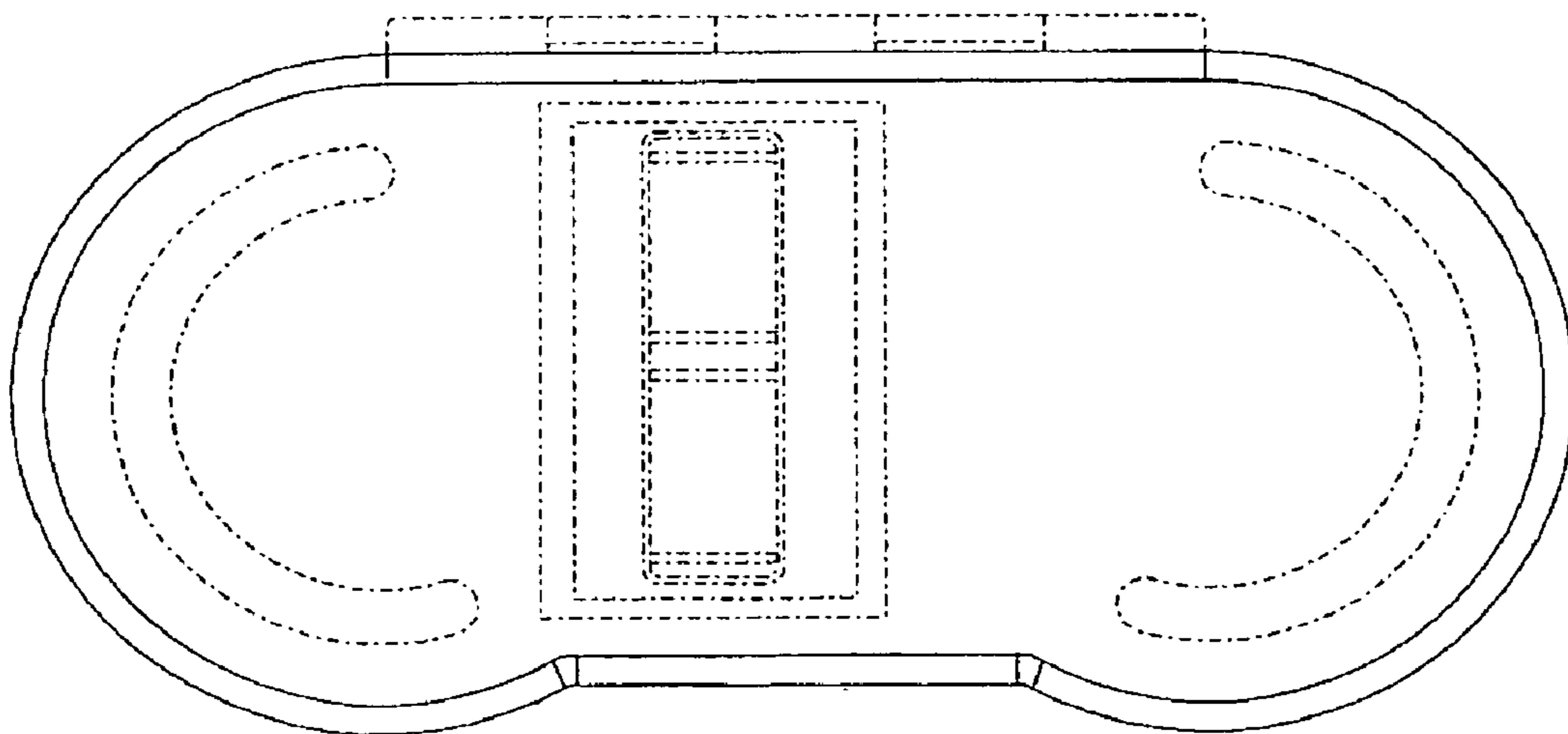


FIG. 14

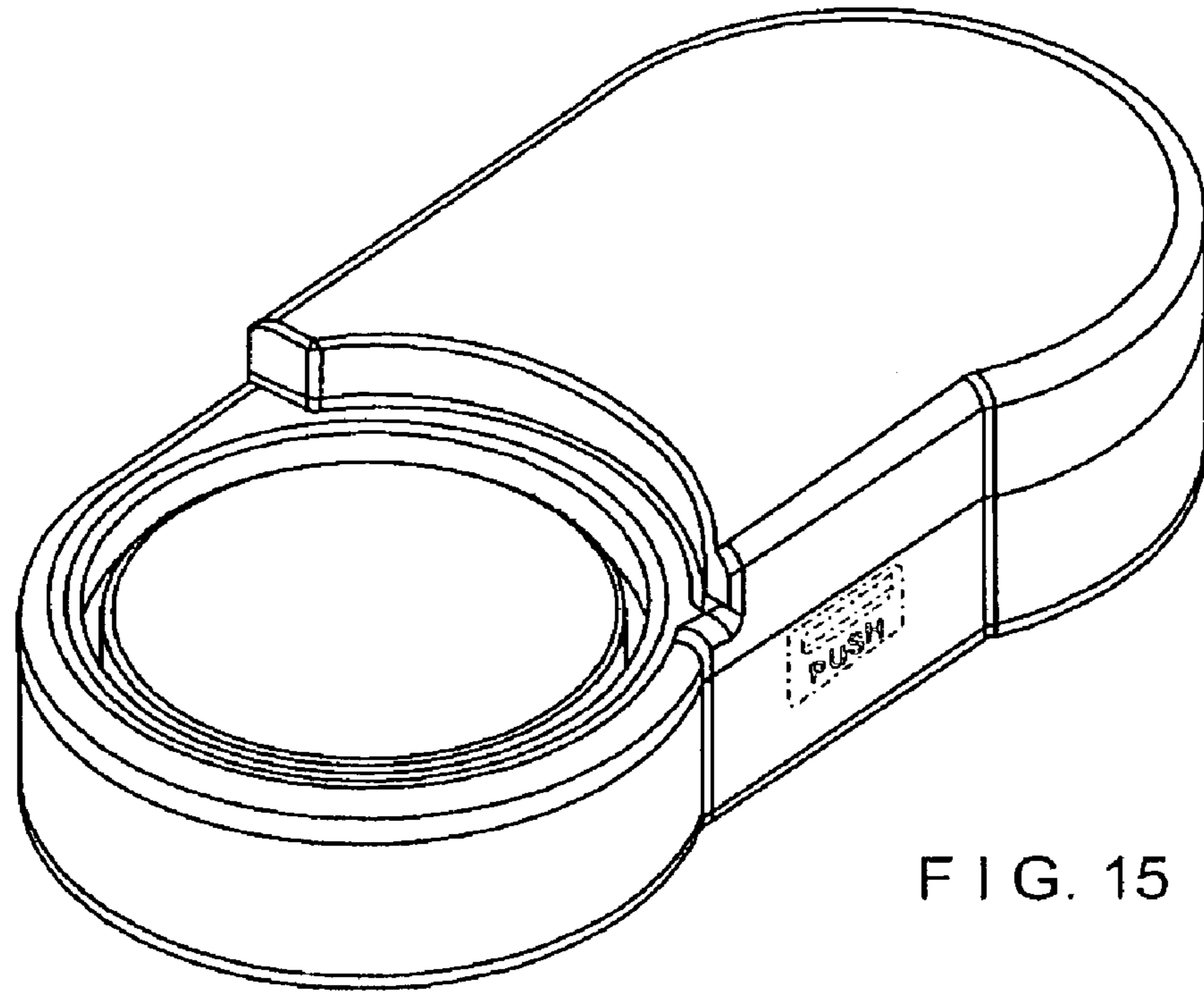


FIG. 15

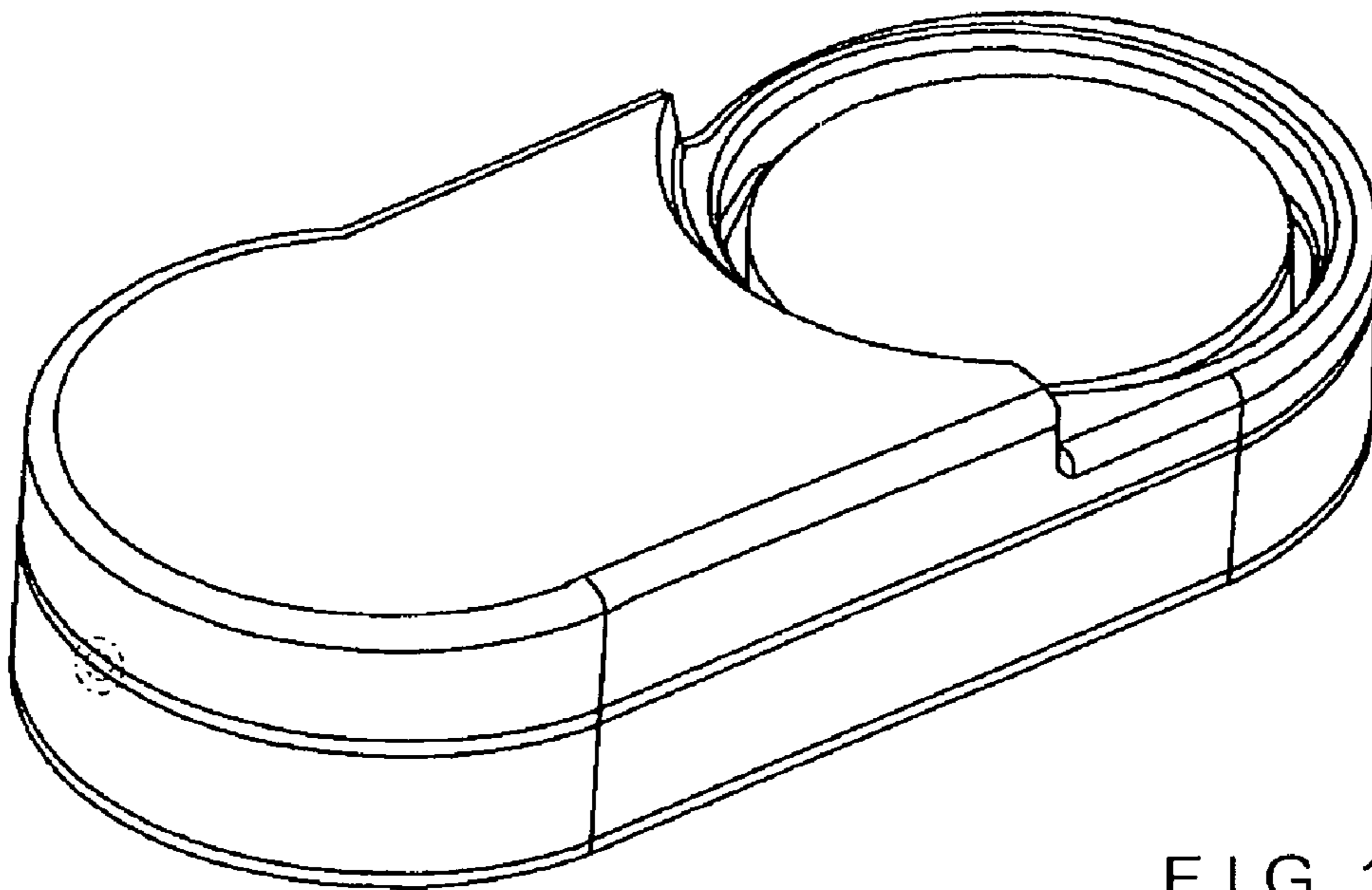
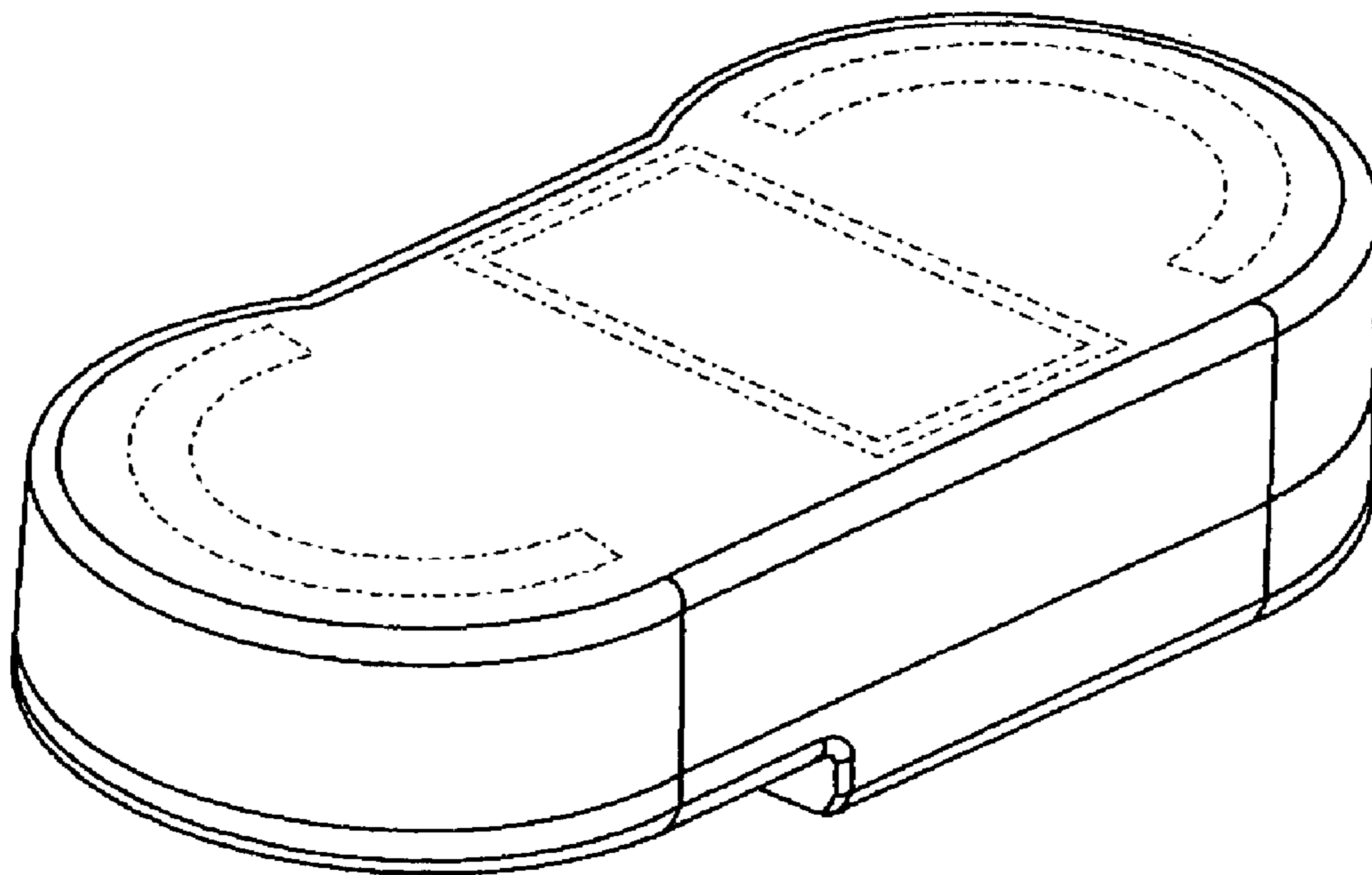
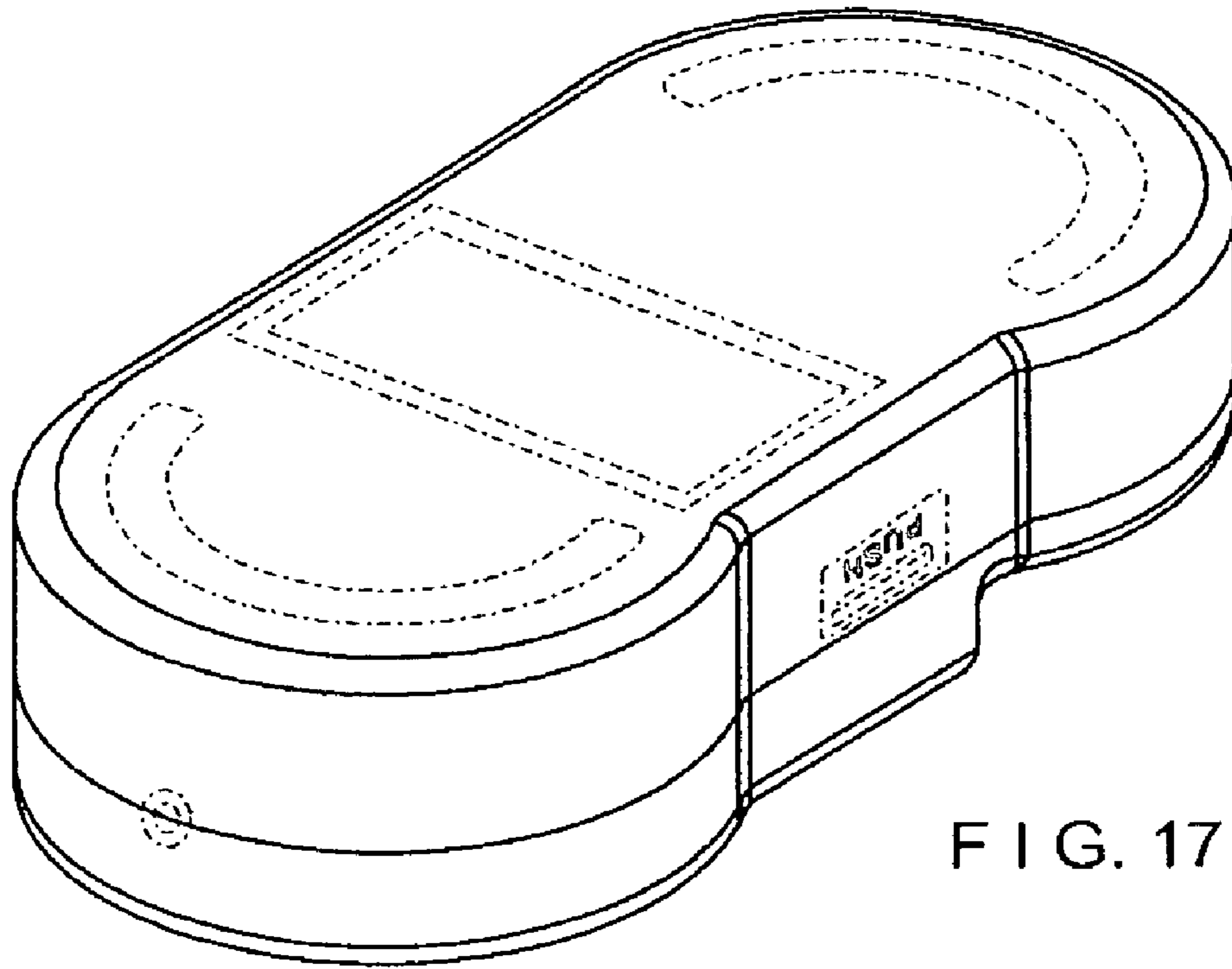


FIG. 16



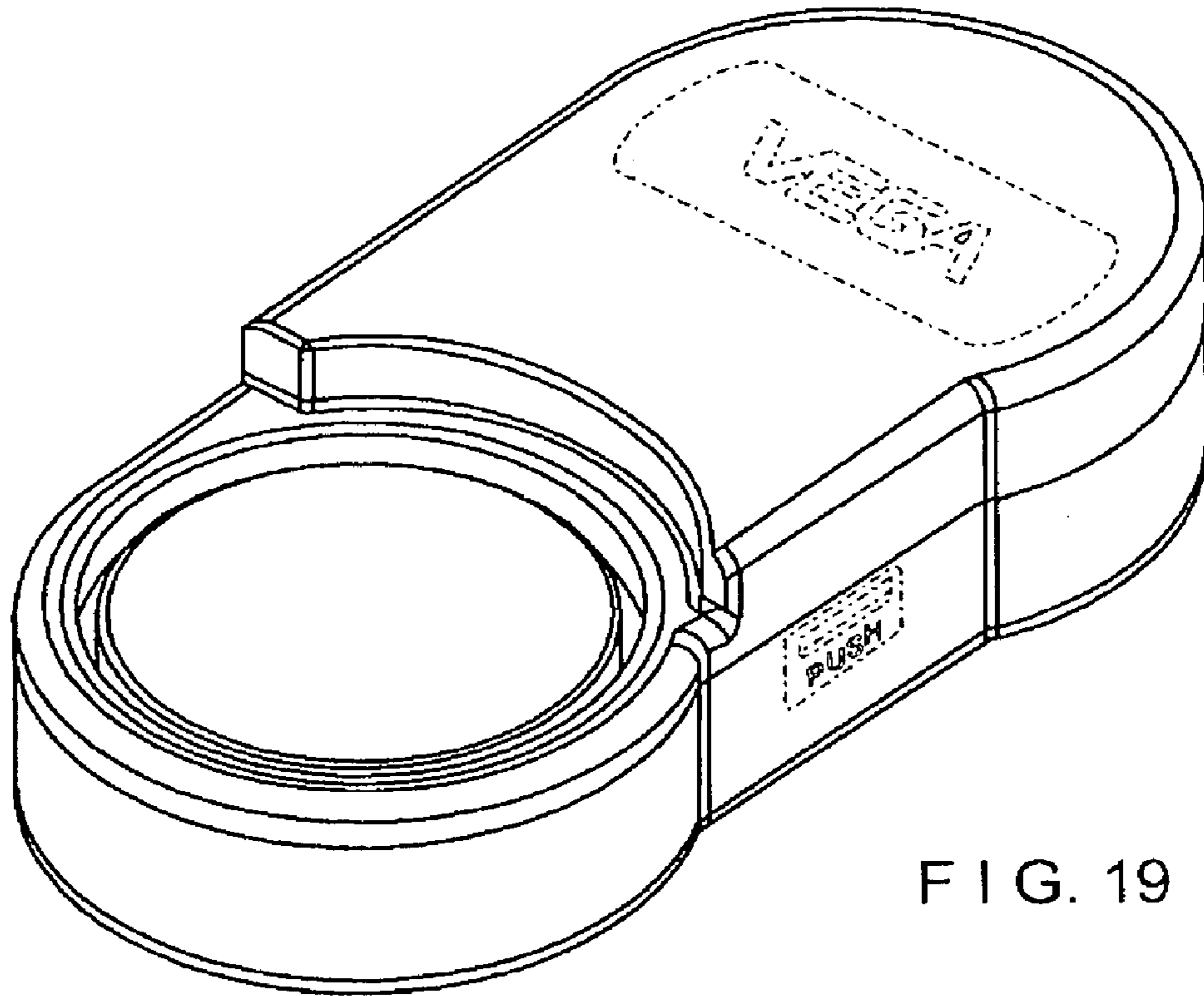


FIG. 19

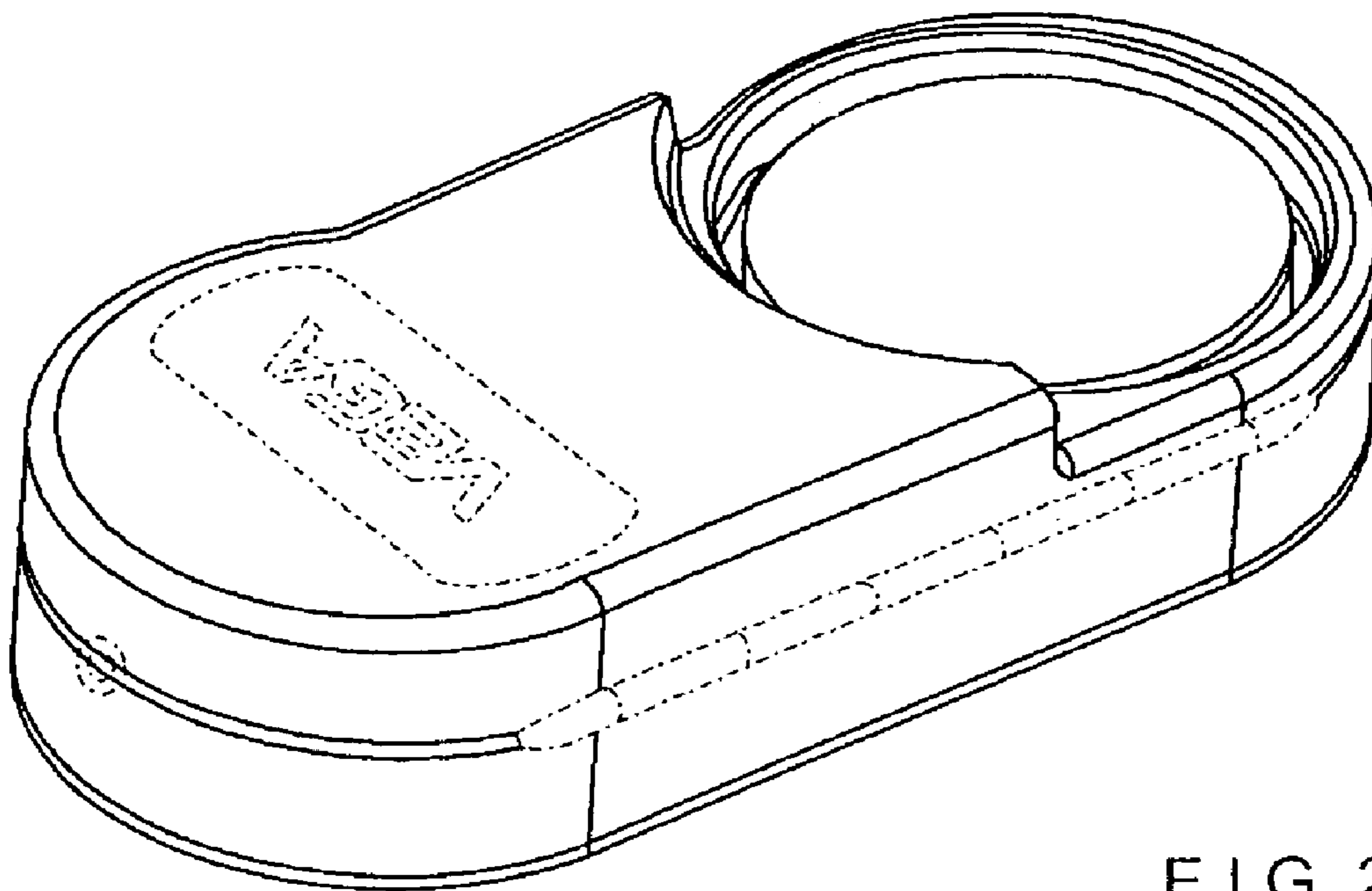


FIG. 20

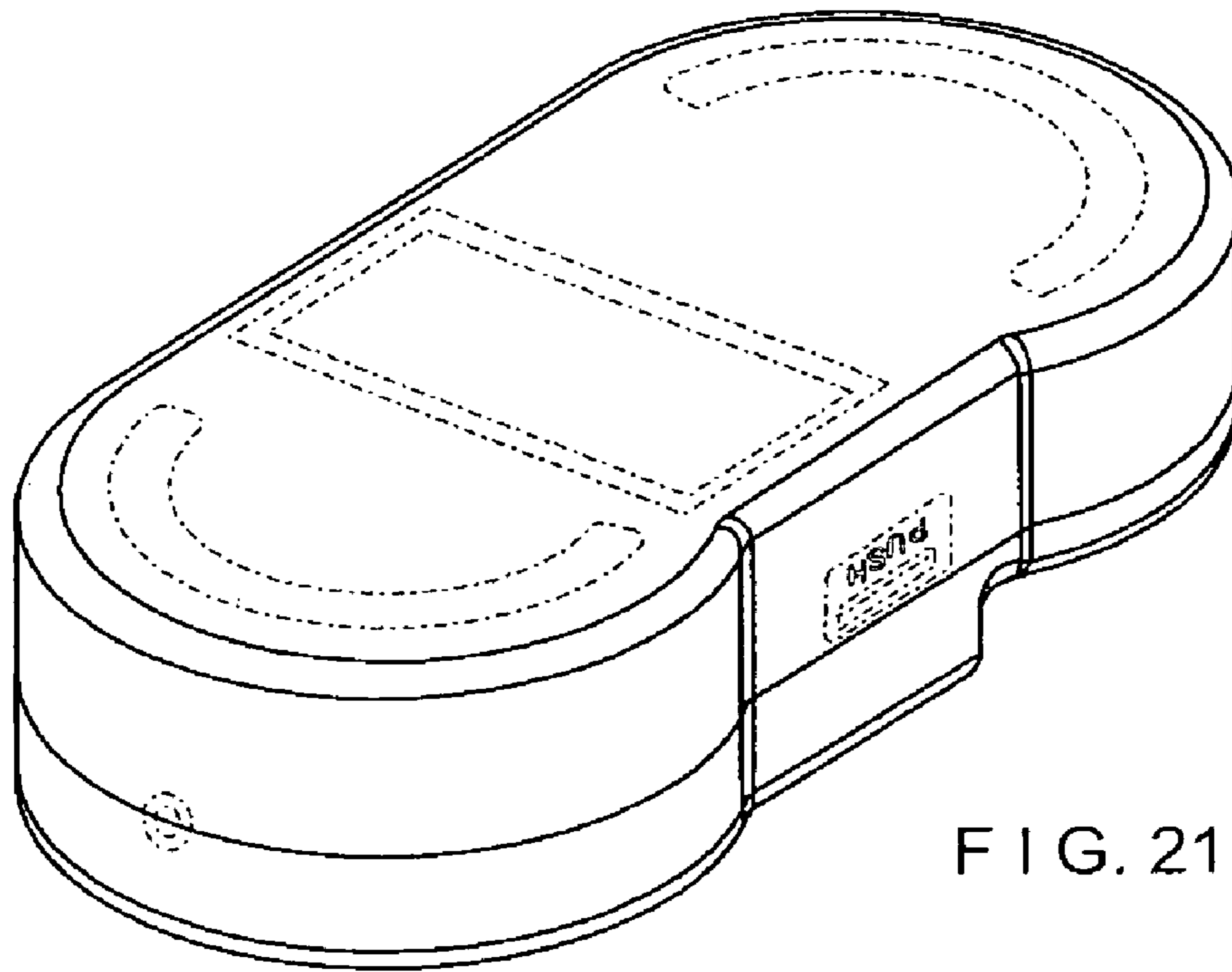


FIG. 21

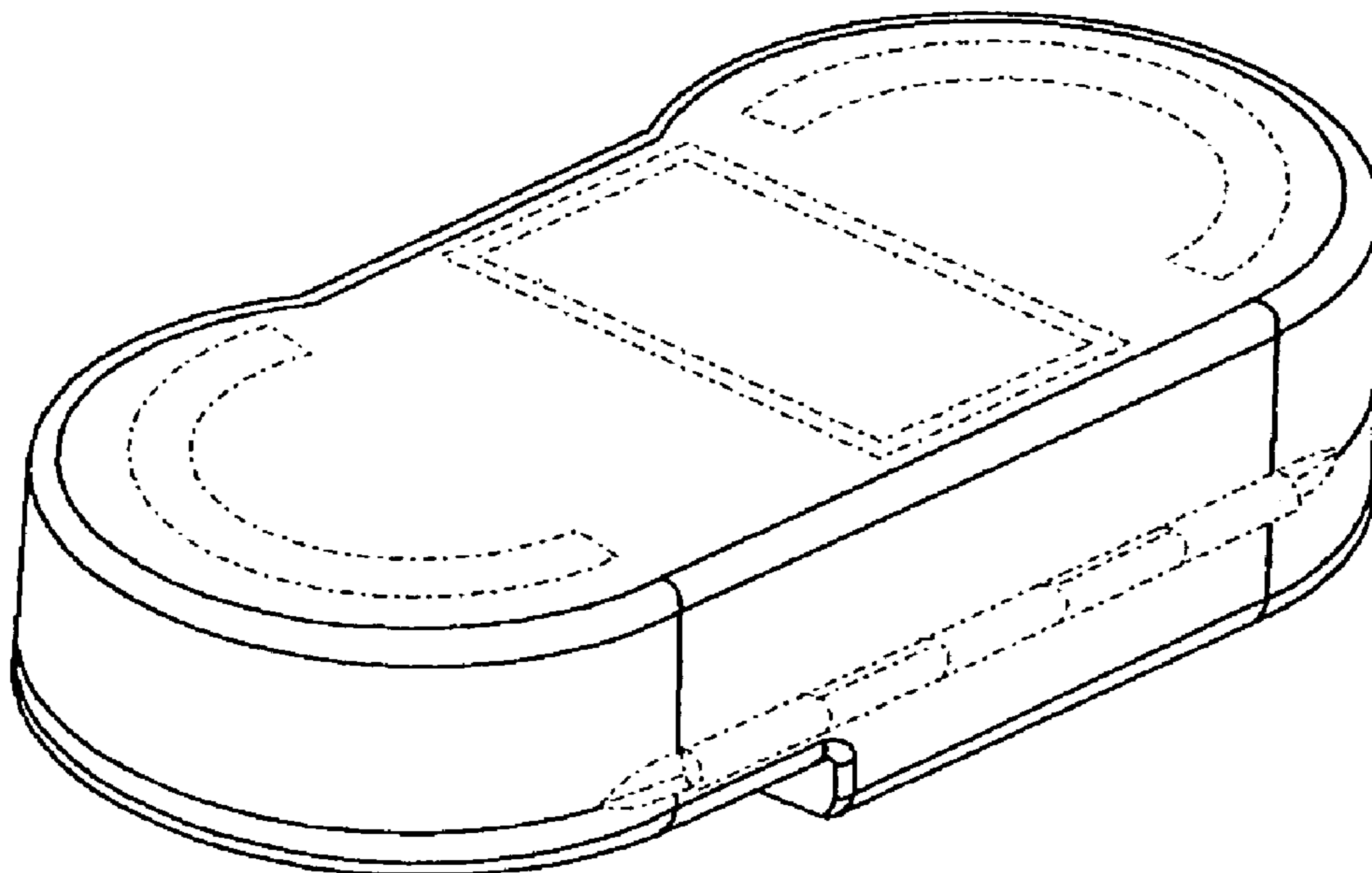


FIG. 22