



US00D575237S

(12) **United States Design Patent**
Shiga et al.

(10) **Patent No.:** **US D575,237 S**

(45) **Date of Patent:** **** Aug. 19, 2008**

(54) **ELECTRICAL CONNECTOR**

(75) Inventors: **Katsumi Shiga**, Chiba (JP); **Yoshihito Fujiwara**, Tokyo (JP)

(73) Assignee: **Tyco Electronics AMP K.K.**, Kanagawa-ken (JP)

(**) Term: **14 Years**

(21) Appl. No.: **29/281,074**

(22) Filed: **Jun. 14, 2007**

(30) **Foreign Application Priority Data**

Dec. 18, 2006 (JP) 2006-034655

(51) **LOC (8) Cl.** **13-03**

(52) **U.S. Cl.** **D13/151; D13/133**

(58) **Field of Classification Search** D13/131-133, D13/134, 137.1, 138.1, 146-147, 149, 154, D13/184, 199; 439/115, 161, 284, 293, 295, 439/342, 352, 507, 678, 692, 701, 825, 839, 439/851, 854-857; 174/58; 428/35.7
See application file for complete search history.

(56) **References Cited**

U.S. PATENT DOCUMENTS

- D355,408 S * 2/1995 Geis et al. D13/138.1
- 5,772,470 A * 6/1998 Togashi 439/582
- D447,117 S * 8/2001 Ko D13/133
- 6,283,794 B1 9/2001 Osuga
- 6,572,407 B1 * 6/2003 Ko 439/582
- D511,748 S * 11/2005 Caine et al. D13/154
- D560,610 S * 1/2008 McCoy D13/146
- 2001/0008816 A1 * 7/2001 Ko 439/582
- 2002/0160645 A1 * 10/2002 Nagamine et al. 439/352
- 2006/0084314 A1 4/2006 Takizawa

FOREIGN PATENT DOCUMENTS

- JP 1043104 4/1999
- JP 2004193079 A 7/2004
- JP 200550685 A 2/2005
- JP 2006196427 A 7/2006

* cited by examiner

Primary Examiner—Daniel D Bui

Assistant Examiner—Thomas J Johannes

(74) *Attorney, Agent, or Firm*—Barley Snyder LLC

(57) **CLAIM**

The ornamental design for an electrical connector, as shown and described.

DESCRIPTION

FIG. 1 is a front elevation view of an electrical connector showing our new design;

FIG. 2 is a top plan view thereof;

FIG. 3 is a bottom plan view thereof;

FIG. 4 is a right side elevation view thereof;

FIG. 5 is a left side elevation view thereof;

FIG. 6 is a rear elevation view thereof

FIG. 7 is a sectional view thereof, taken along the line “7—7” in FIG. 3;

FIG. 8 is a sectional view thereof, taken along the line “8—8” in FIG. 4;

FIG. 9 is a bottom, front and left side perspective view thereof, and,

FIG. 10 is a top, rear, and right side perspective view thereof.

The broken line showing in the figure drawing is included for illustrative purposes only and forms no part of the claimed design.

1 Claim, 10 Drawing Sheets

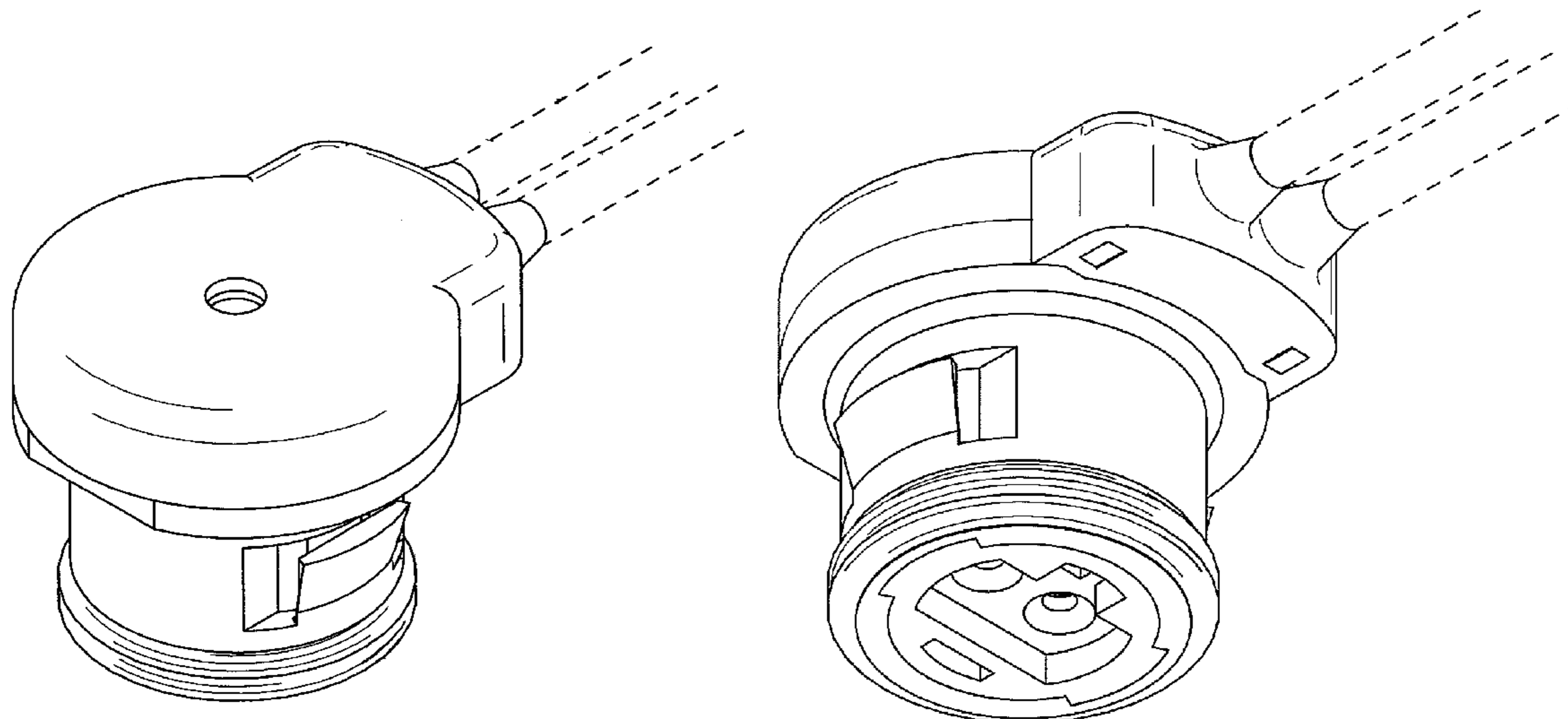


Fig.1

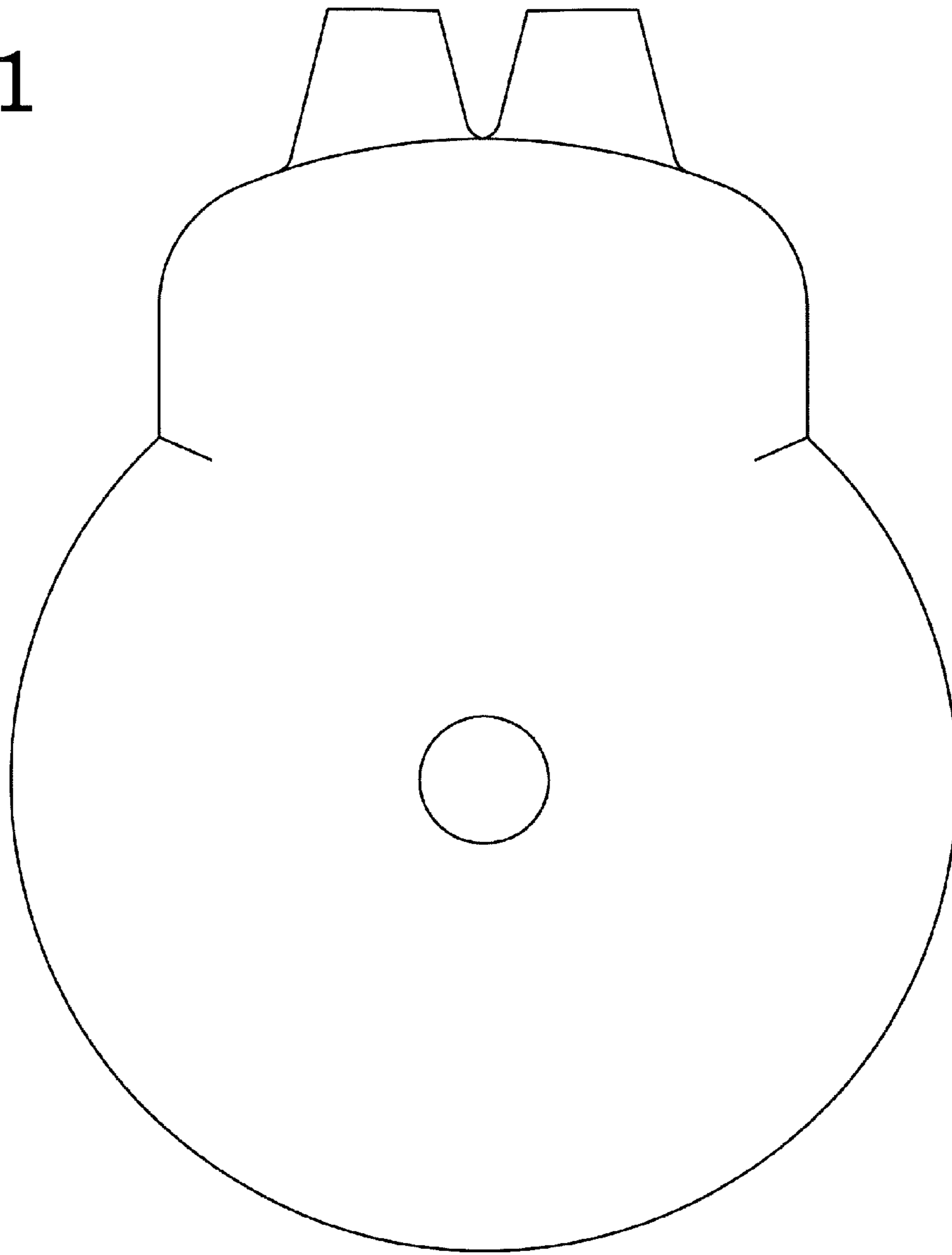


Fig.2

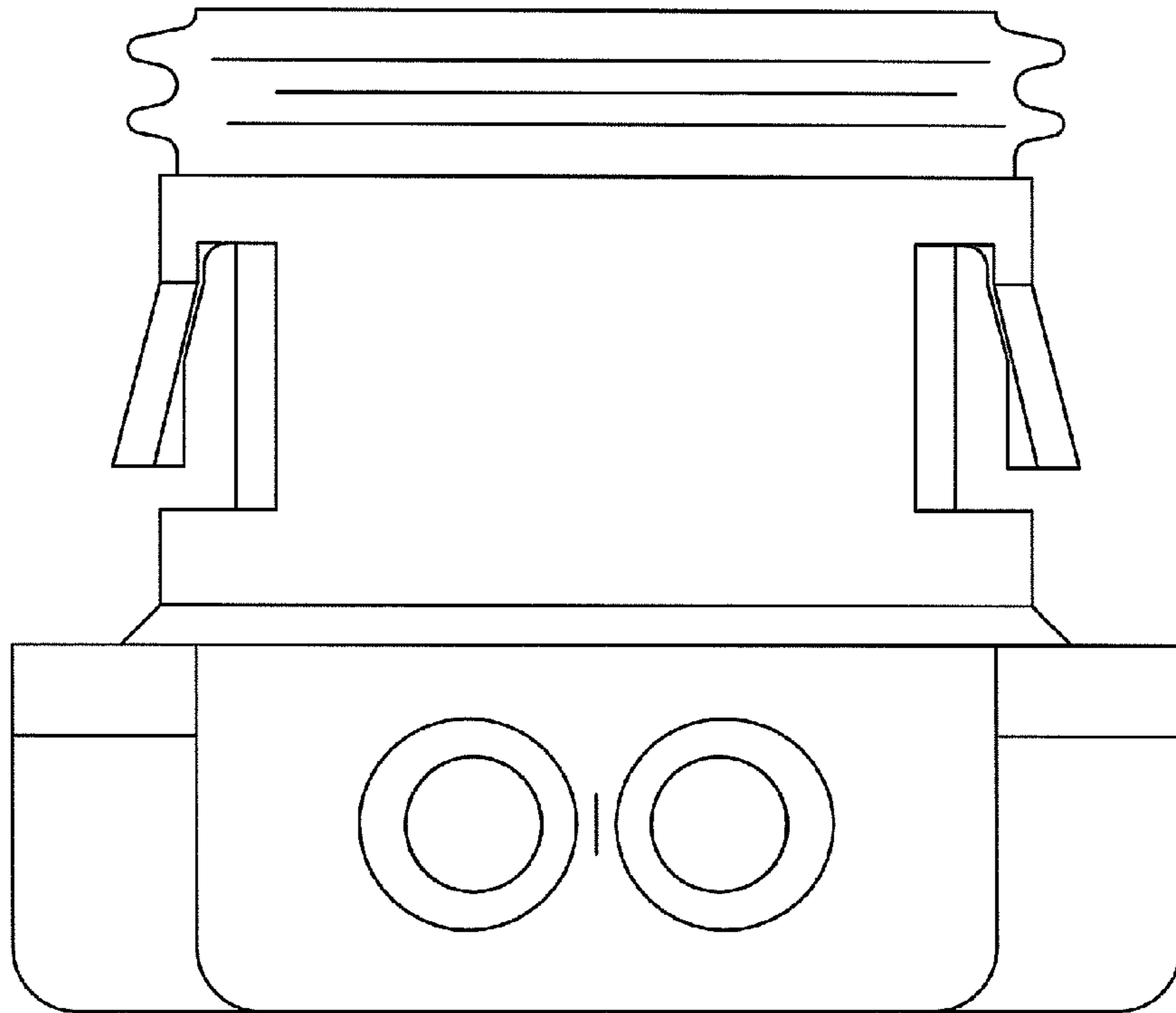


Fig.3

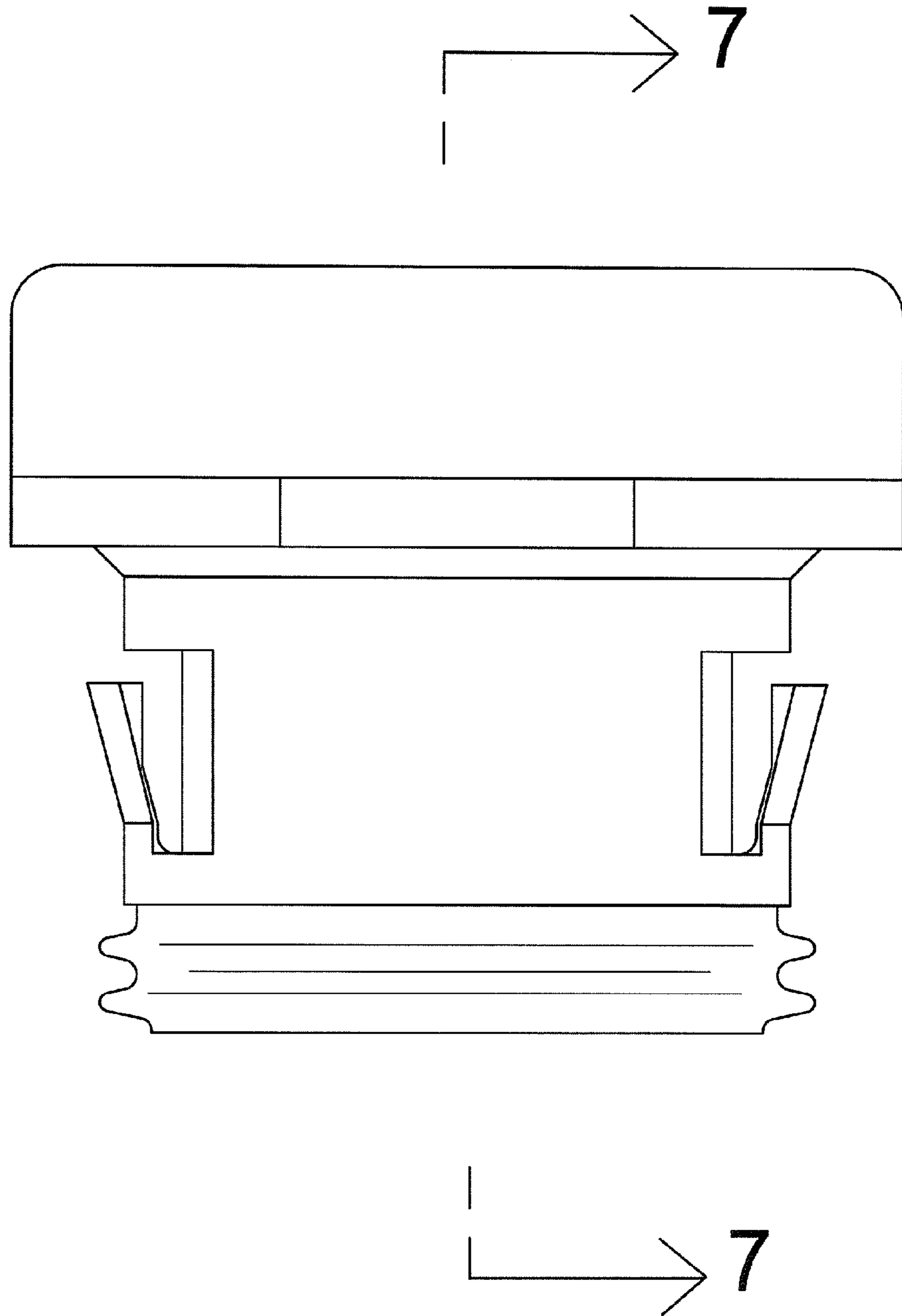


Fig.4

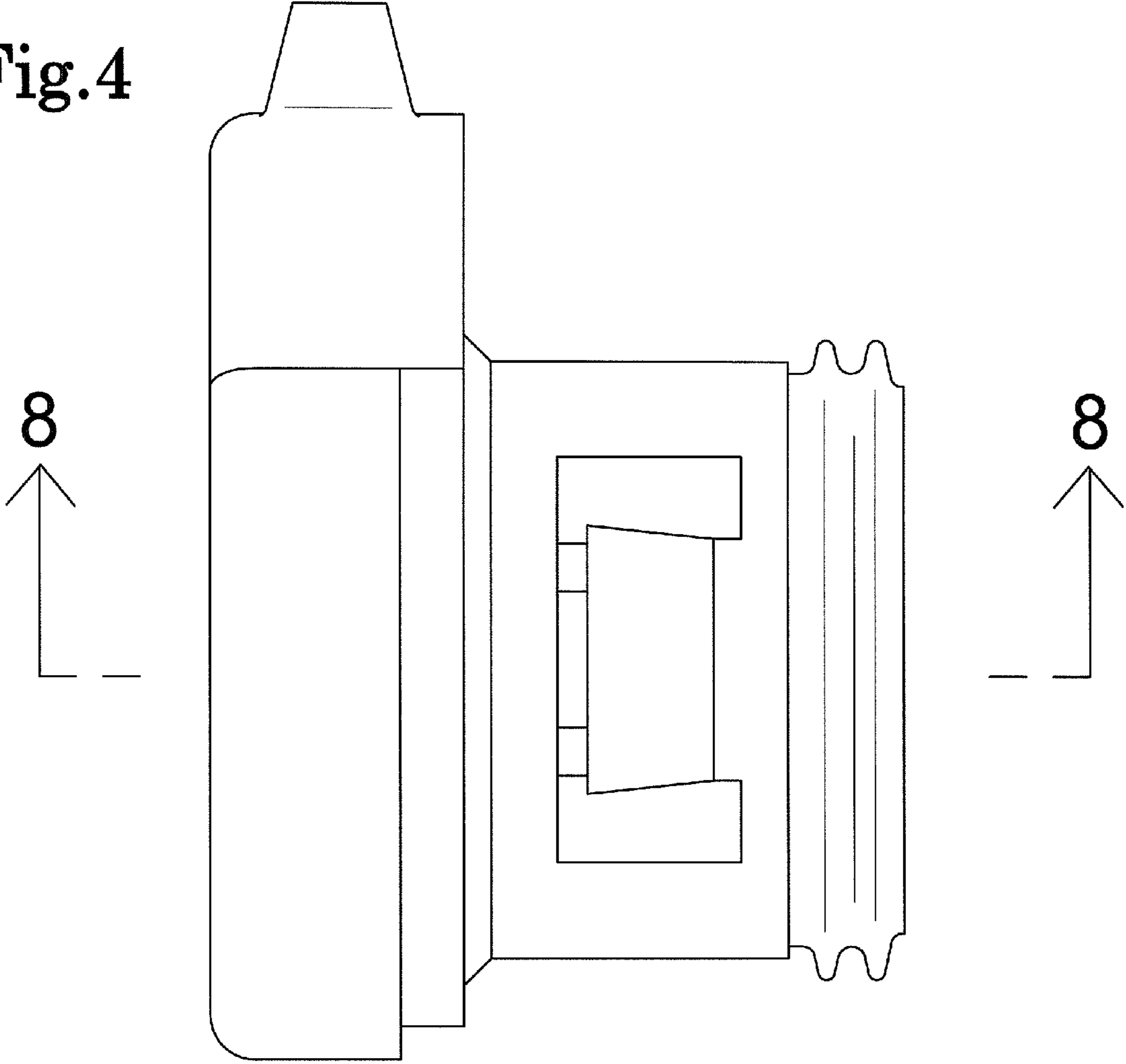


Fig.5

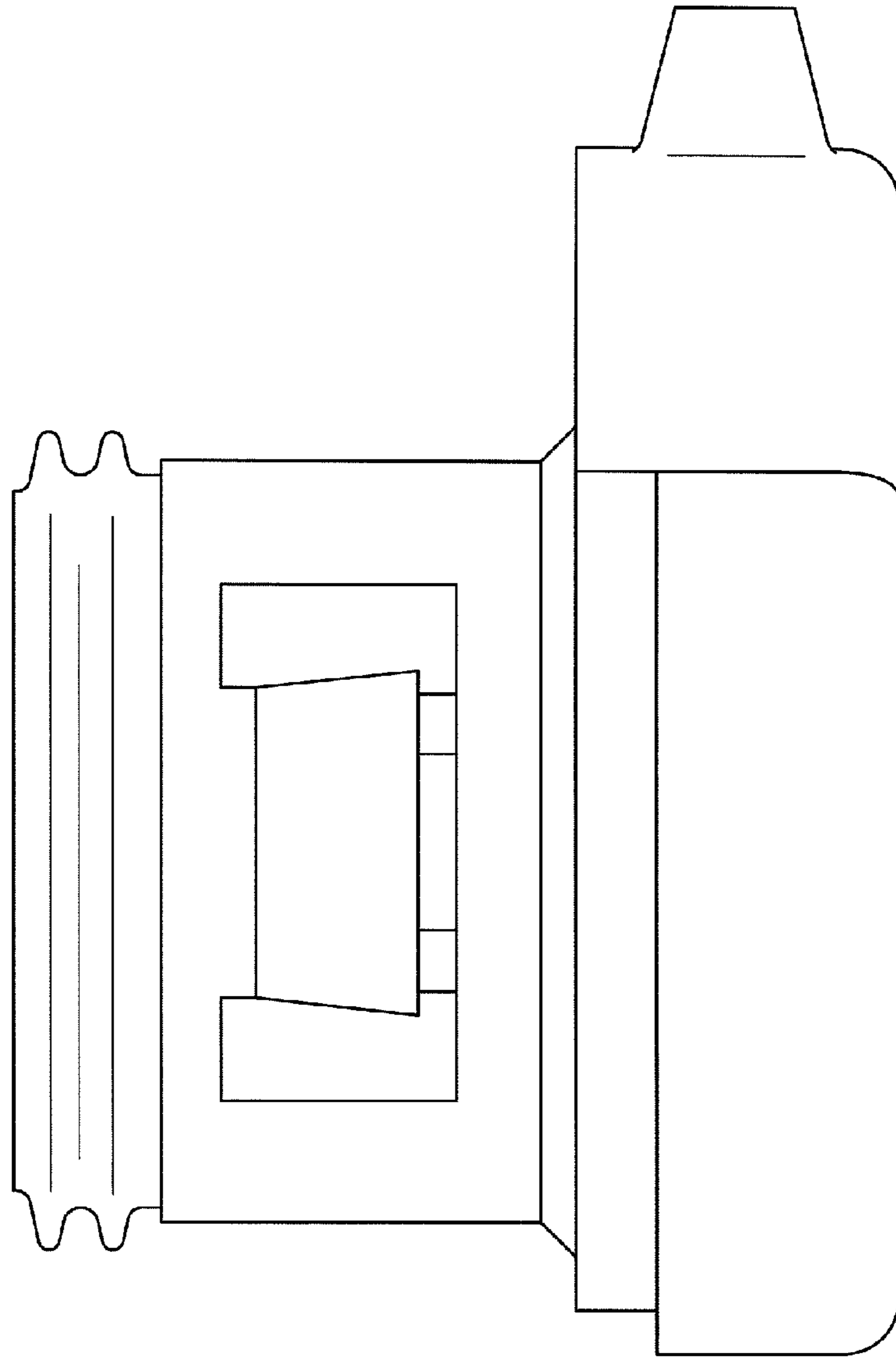


Fig.6

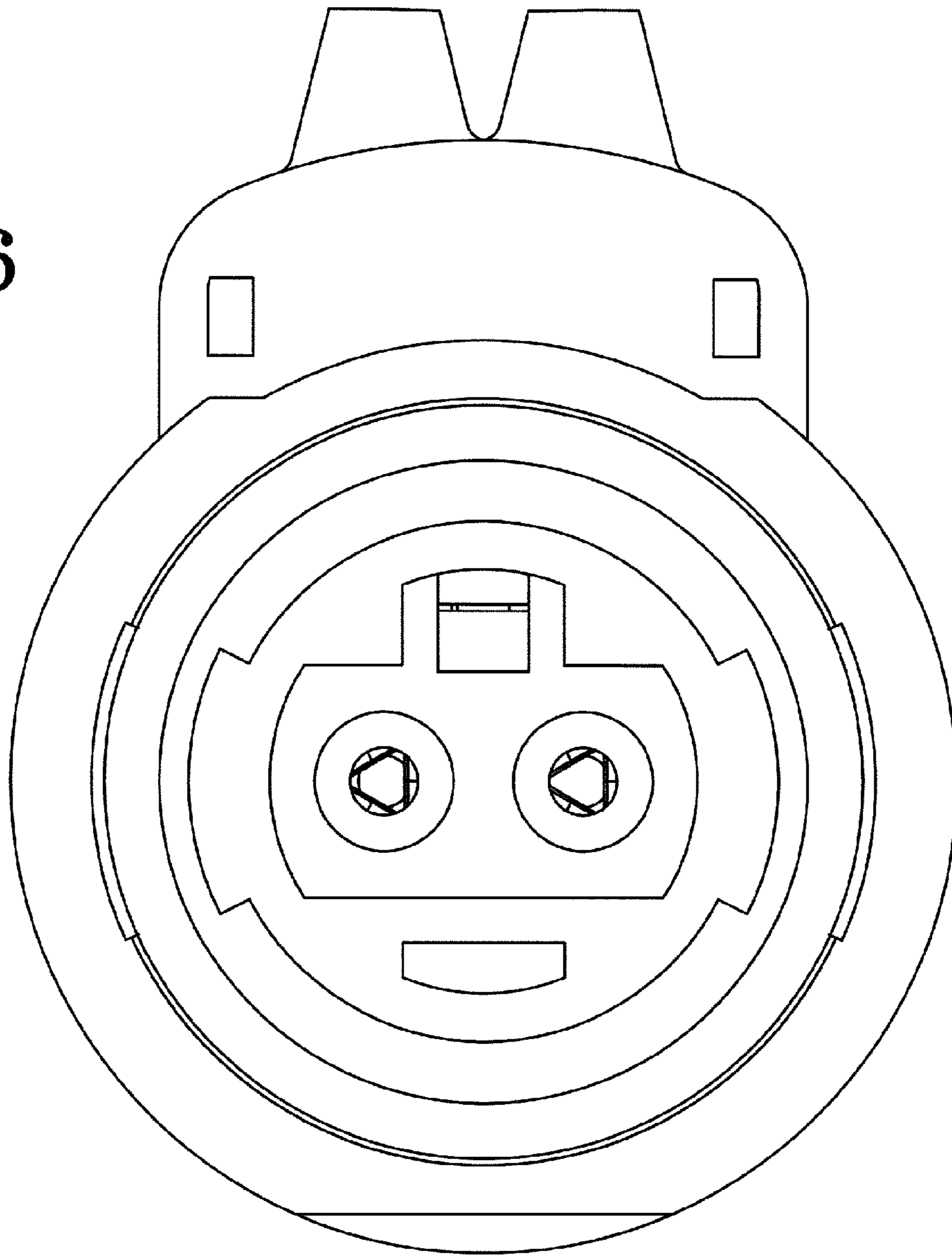


Fig.7

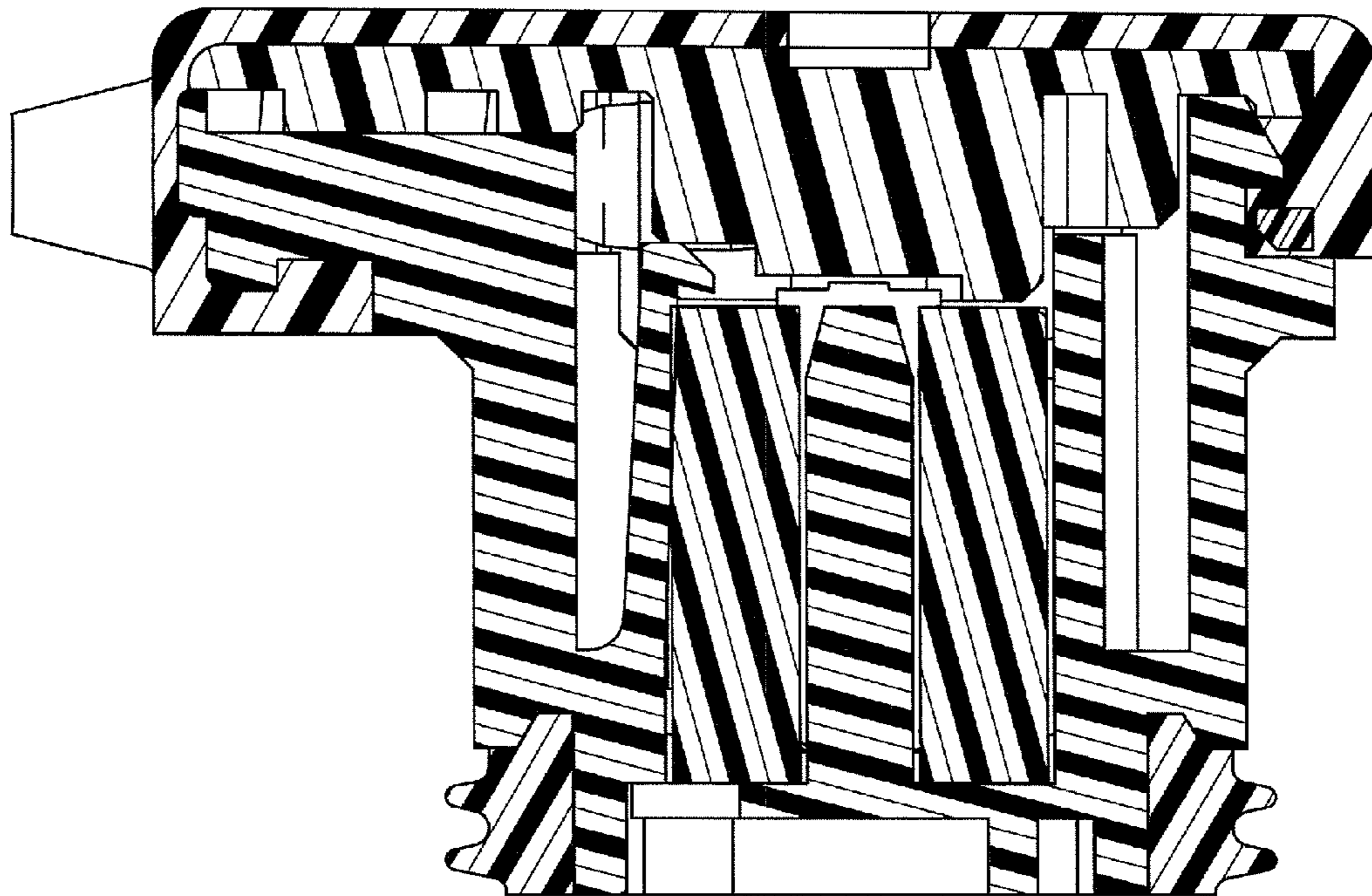


Fig.8

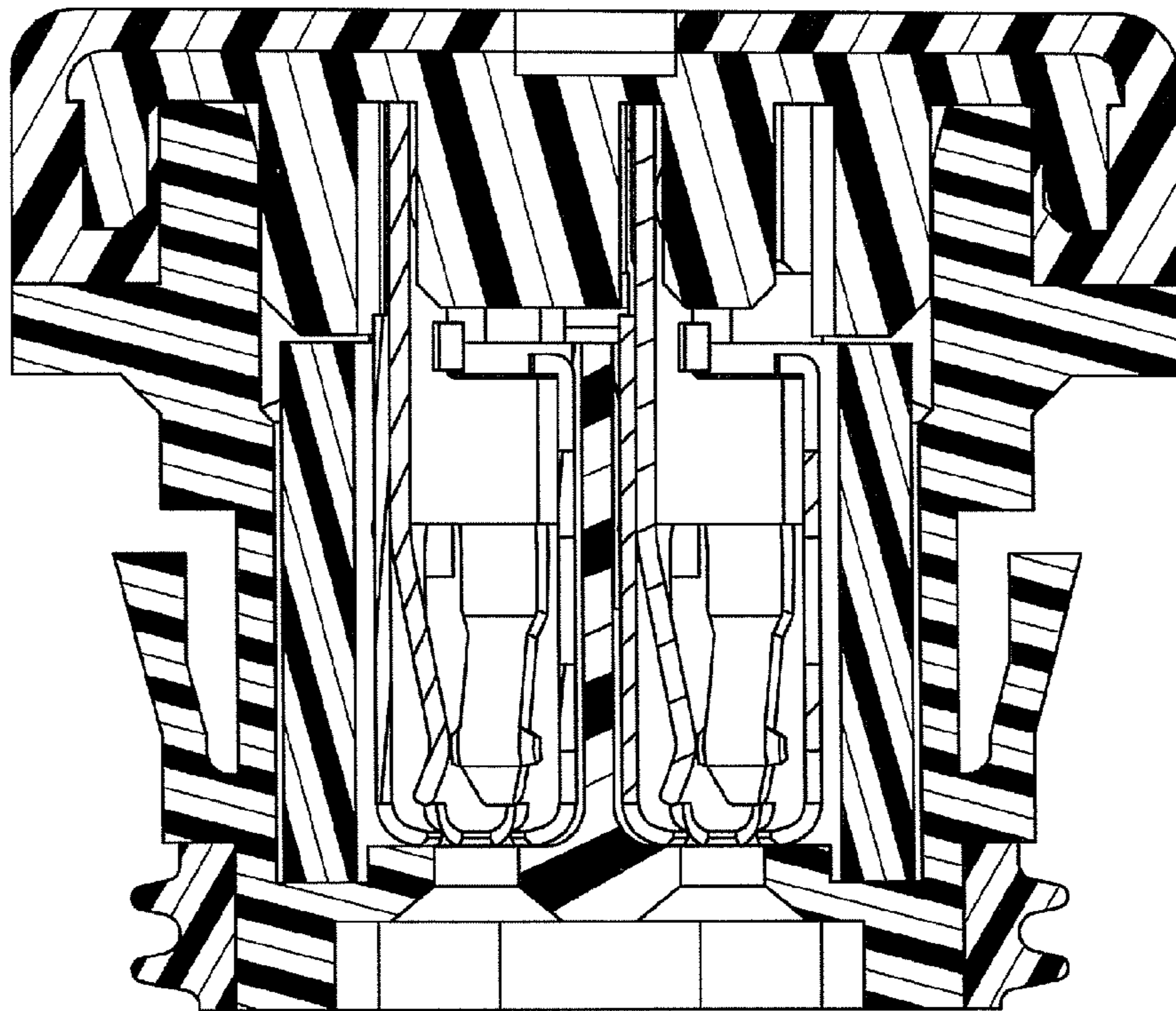


Fig.9

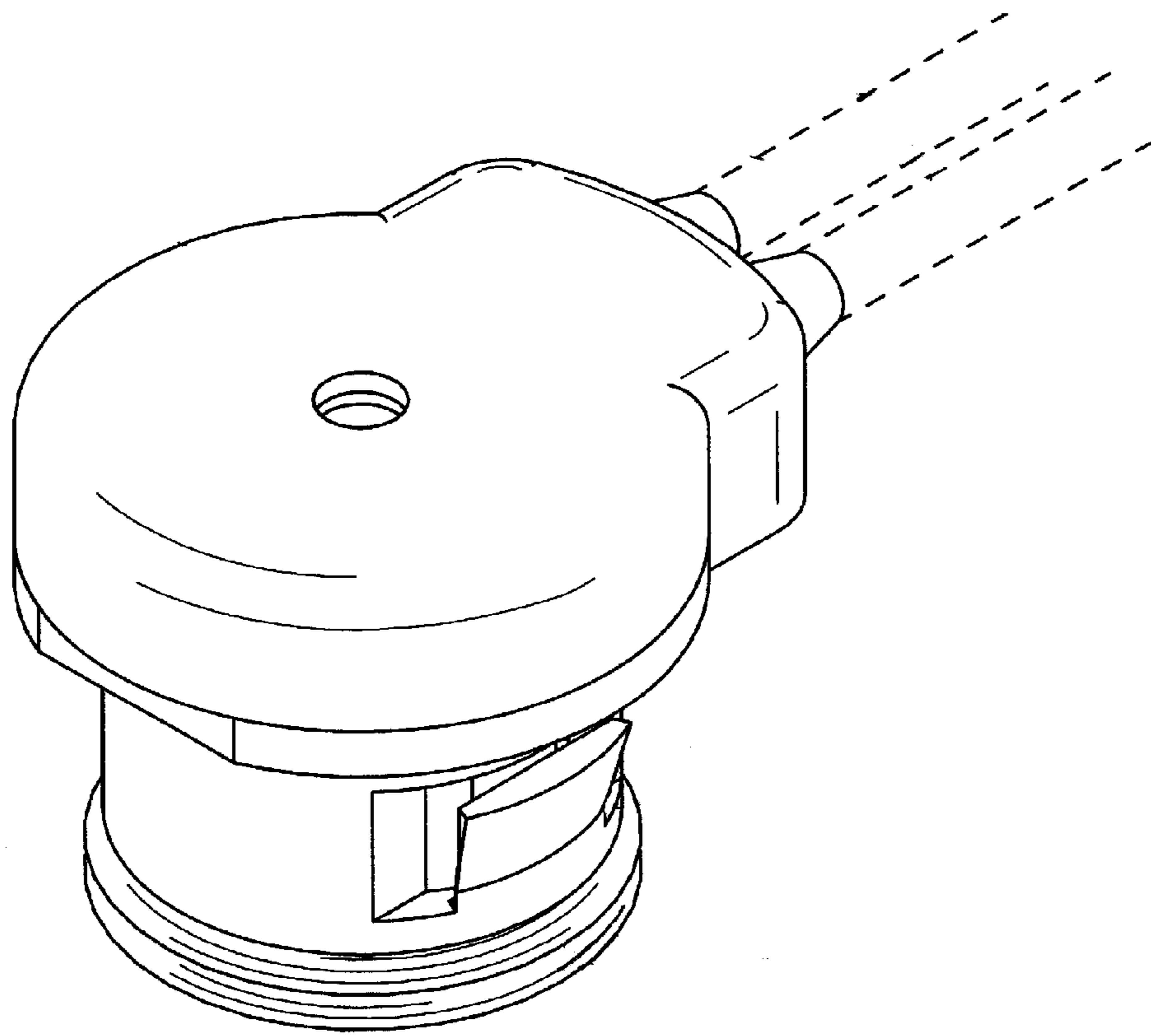


Fig.10

