



US00D575236S

(12) **United States Design Patent**  
**Tago et al.**

(10) **Patent No.:** **US D575,236 S**

(45) **Date of Patent:** **\*\* Aug. 19, 2008**

(54) **ELECTRICAL CONNECTOR**

(75) Inventors: **Atsuo Tago**, Tokyo (JP); **Toru Nomiya**, Tokyo (JP)

(73) Assignee: **Japan Aviation Electronics Industry, Limited**, Tokyo (JP)

(\*\*) Term: **14 Years**

(21) Appl. No.: **29/294,708**

(22) Filed: **Jan. 24, 2008**

(30) **Foreign Application Priority Data**

Aug. 3, 2007 (JP) ..... D2007-021266

(51) **LOC (8) Cl.** ..... **13-03**

(52) **U.S. Cl.** ..... **D13/147**

(58) **Field of Classification Search** ..... D13/147,  
D13/153, 154, 184; 439/350, 352, 353, 358,  
439/445, 455, 607, 608, 609, 610, 660, 676,  
439/680, 682, 731

See application file for complete search history.

(56) **References Cited**

**U.S. PATENT DOCUMENTS**

D379,968 S *	6/1997	Tan et al.	.....	D13/147
D409,148 S *	5/1999	Yotsutani et al.	.....	D13/147
D409,982 S *	5/1999	Sato et al.	.....	D13/147
D412,154 S *	7/1999	Lok	.....	D13/147
D415,108 S *	10/1999	Arai	.....	D13/147
D416,230 S *	11/1999	Narumo et al.	.....	D13/147
D416,540 S *	11/1999	Sato et al.	.....	D13/147

D422,560 S *	4/2000	Lok	.....	D13/147
D437,291 S *	2/2001	Ohtani	.....	D13/147
D447,467 S *	9/2001	Hisada et al.	.....	D13/147
D531,127 S *	10/2006	Zhong et al.	.....	D13/147

\* cited by examiner

*Primary Examiner*—Daniel D Bui

(74) *Attorney, Agent, or Firm*—Collard & Roe, P.C.

(57) **CLAIM**

The ornamental design for an electrical connector, as shown and described.

**DESCRIPTION**

FIG. 1 is a front elevational view of an electrical connector, showing our new design;

FIG. 2 is a rear elevational view thereof;

FIG. 3 is a top plan view thereof;

FIG. 4 is a bottom plan view thereof;

FIG. 5 is a right side elevational view thereof;

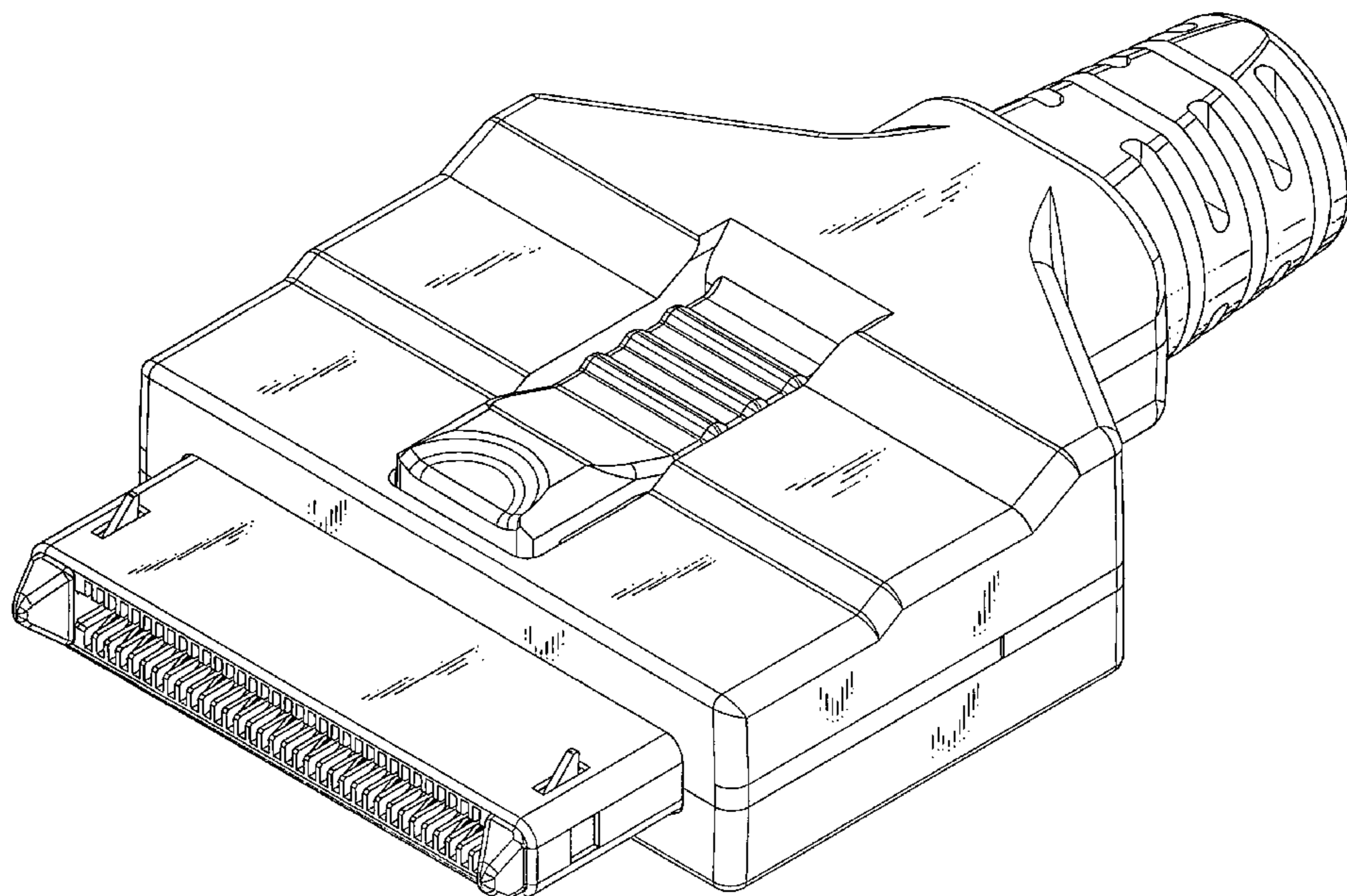
FIG. 6 is a left side elevational view thereof;

FIG. 7 is a front, right, and top-side perspective view thereof; and,

FIG. 8 is a rear, left and top-side perspective view thereof, in use condition.

The broken line of the environment in FIG. 8, and the broken line of internal elements in FIG. 2 are for illustrative purposes only and form no part of the claimed design.

**1 Claim, 6 Drawing Sheets**



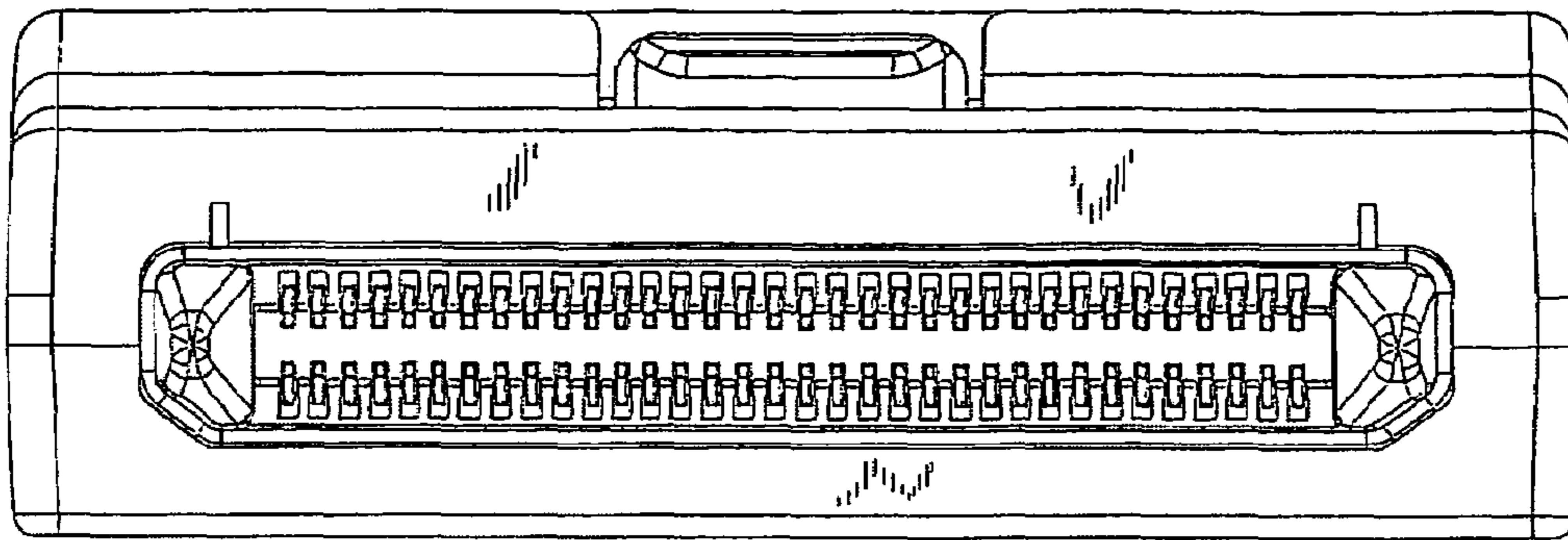


FIG. 1

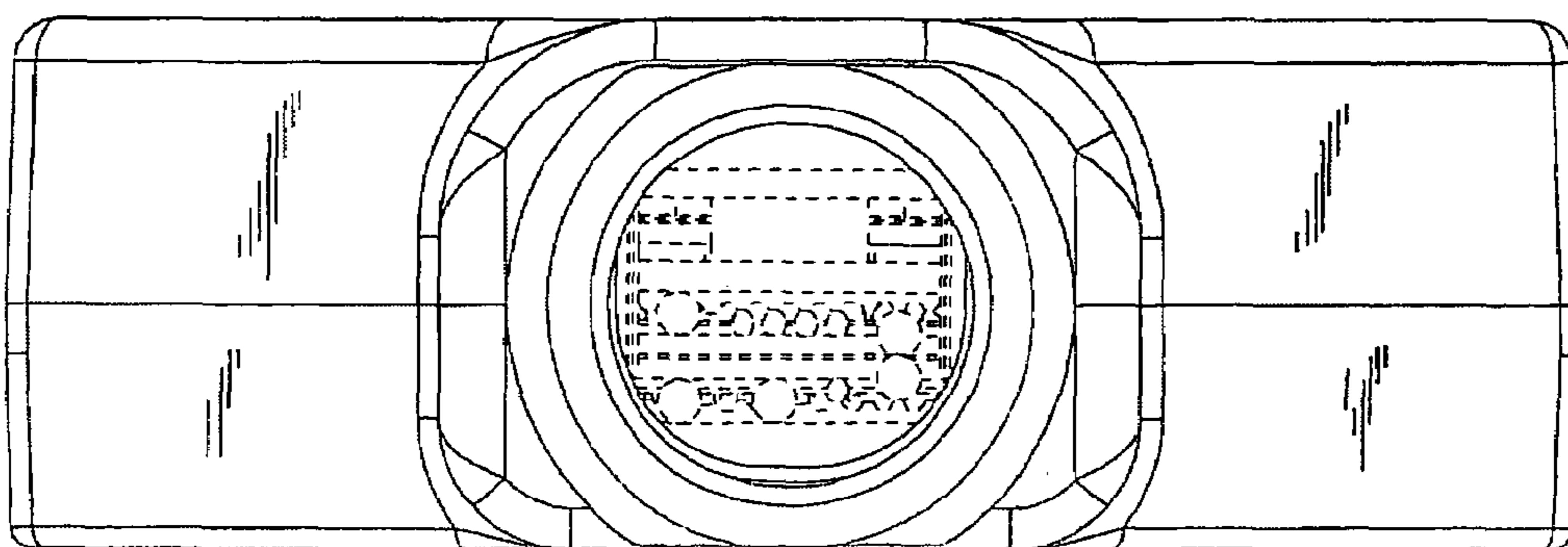


FIG. 2

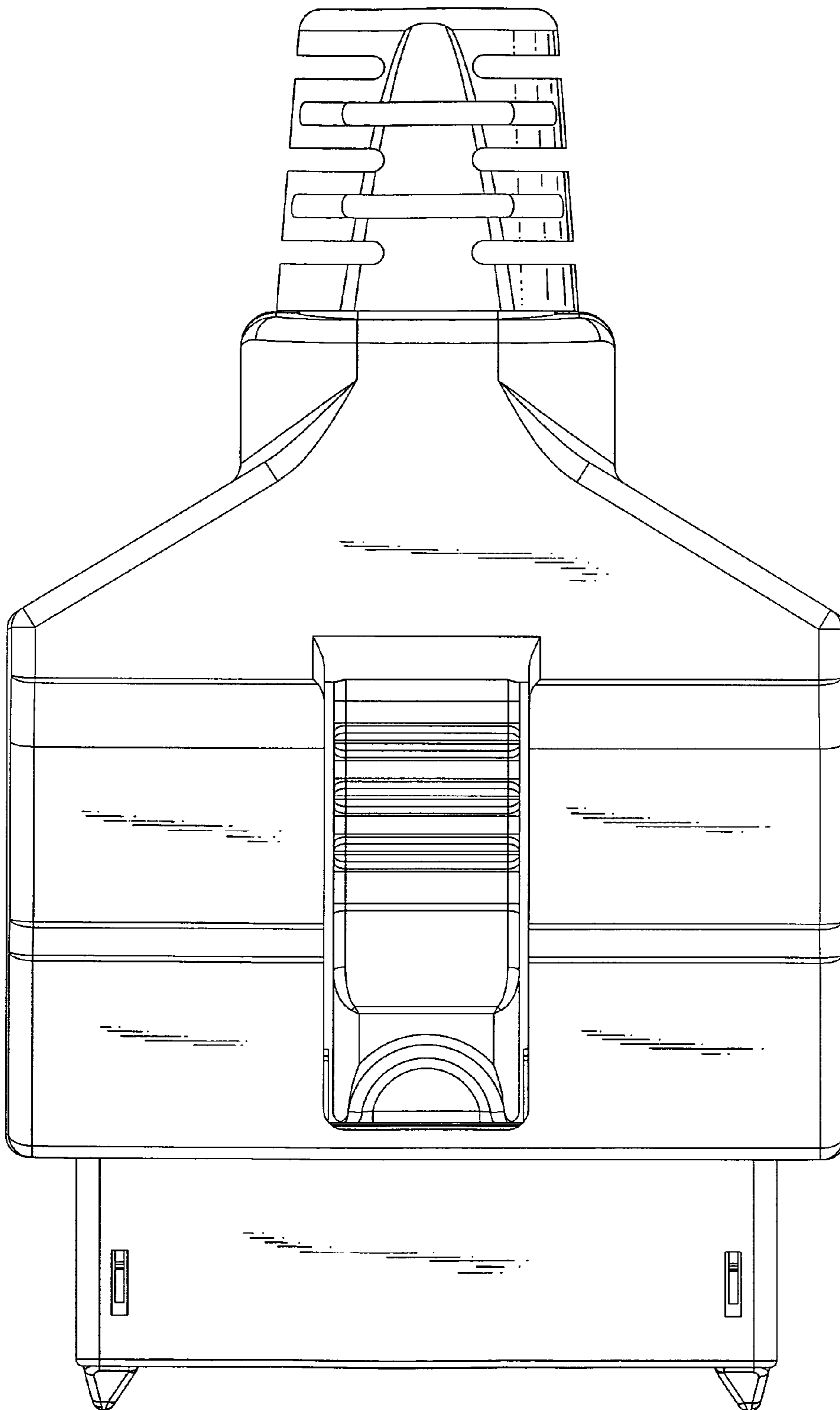


FIG. 3

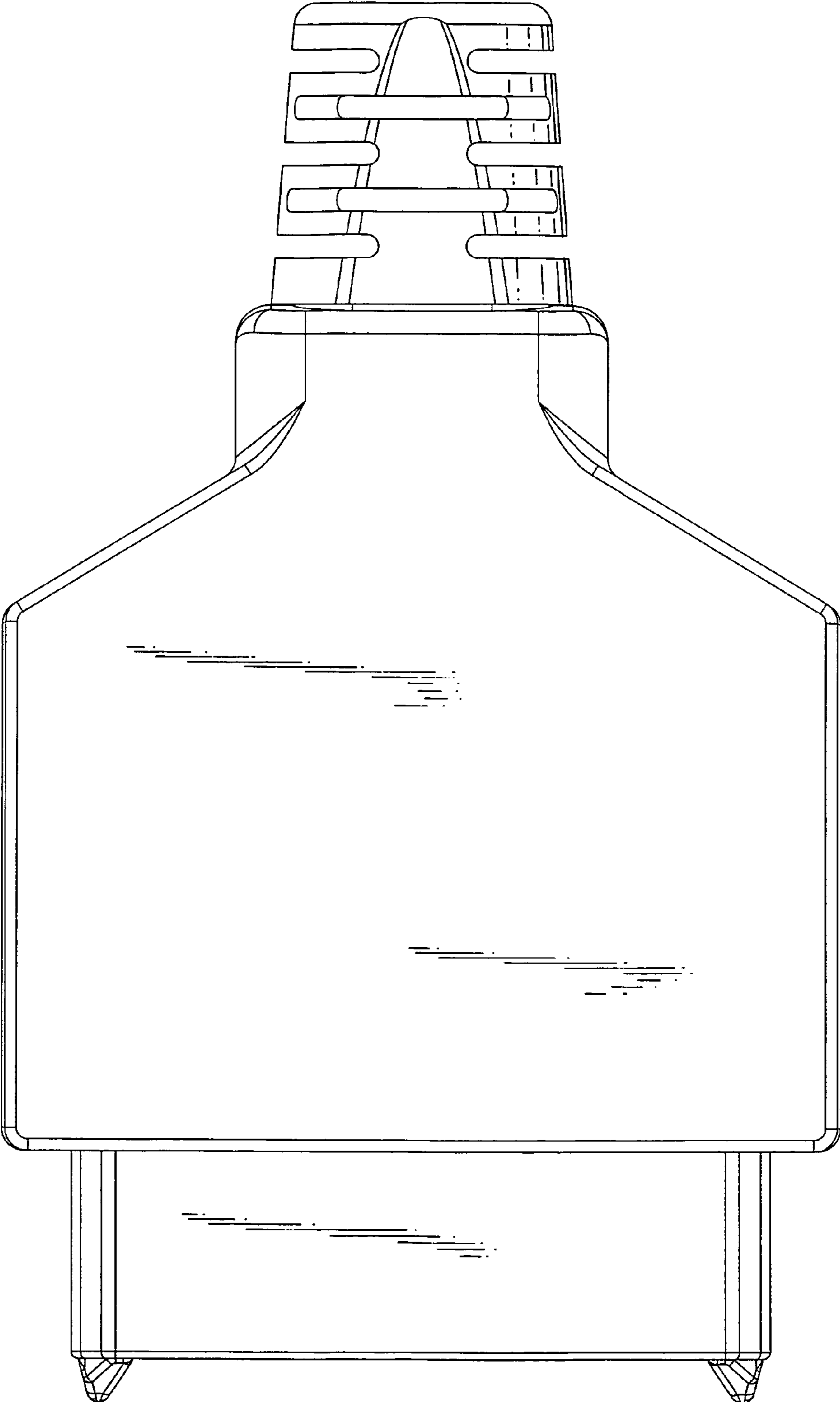


FIG. 4

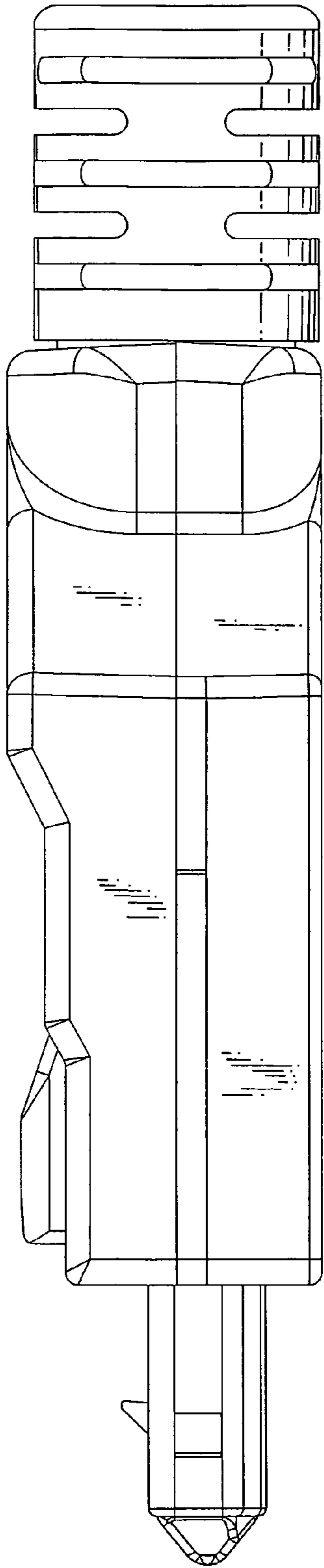


FIG. 5

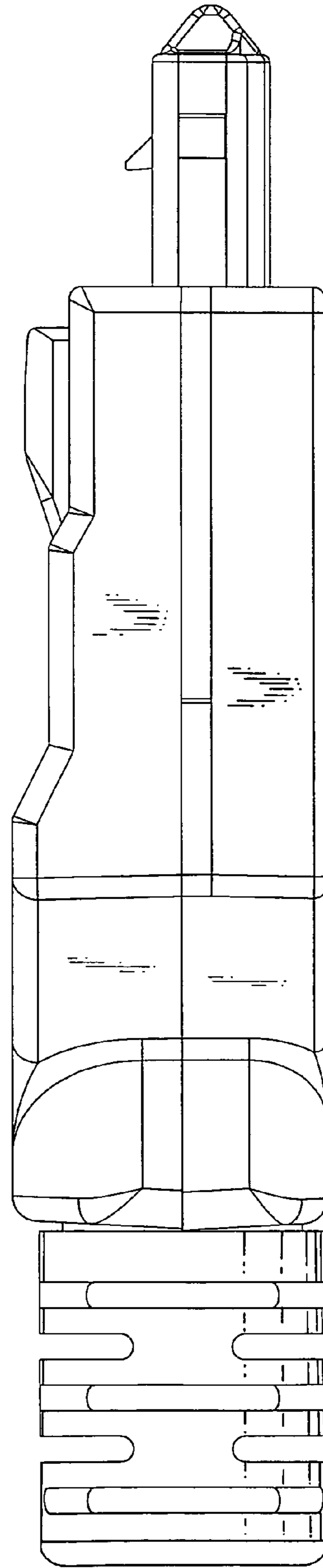


FIG. 6



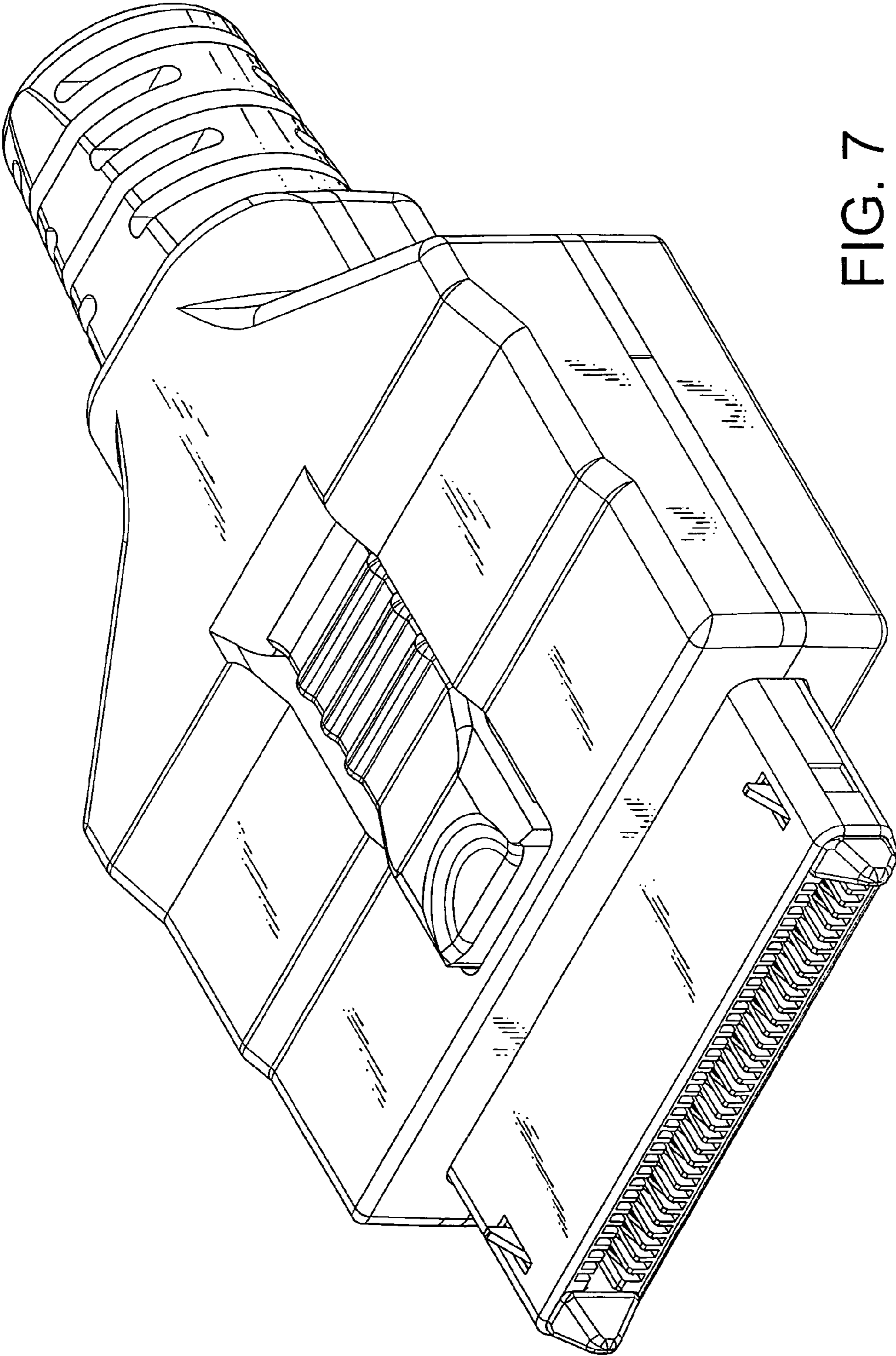


FIG. 7

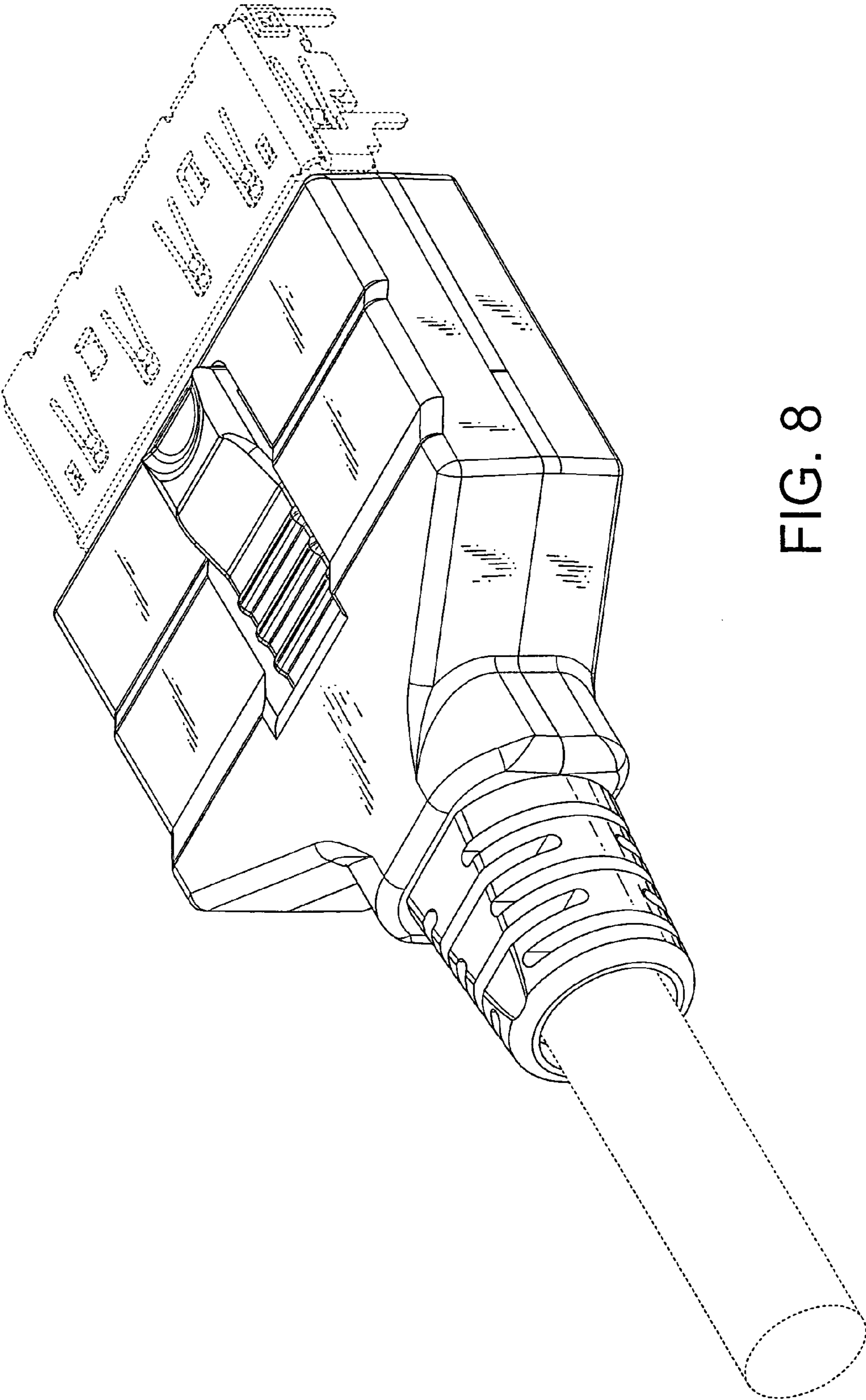


FIG. 8