



US00D575232S

(12) **United States Design Patent**
Chiang et al.

(10) **Patent No.:** **US D575,232 S**

(45) **Date of Patent:** **** Aug. 19, 2008**

(54) **AUDIO JACK**

D552,032 S * 10/2007 Peng D13/133
D555,098 S * 11/2007 Wu et al. D13/133

(75) Inventors: **Shu-man Chiang**, Tu-Cheng (TW);
Mei-chuan Yang, Tu-Cheng (TW)

* cited by examiner

(73) Assignee: **Cheng Uei Precision Industry Co., Ltd.**, Taipei Hsien (TW)

Primary Examiner—Daniel D Bui

(74) *Attorney, Agent, or Firm*—Rosenberg, Klein & Lee

(**) Term: **14 Years**

(57) **CLAIM**

(21) Appl. No.: **29/290,736**

The ornamental design for an audio jack, as shown and described.

(22) Filed: **Jan. 9, 2008**

DESCRIPTION

(51) **LOC (8) Cl.** **13-03**

FIG. 1 is a perspective view of an audio jack showing our new design;

(52) **U.S. Cl.** **D13/133; D13/146; D13/147**

FIG. 2 is a front elevational view thereof;

(58) **Field of Classification Search** D13/133,
D13/146, 147, 154, 184; 439/607–610, 660,
439/668, 892, 894

FIG. 3 is a rear elevational view thereof;

See application file for complete search history.

FIG. 4 is a left side elevational view thereof;

FIG. 5 is a right side elevational view thereof;

(56) **References Cited**

U.S. PATENT DOCUMENTS

D459,303 S * 6/2002 Florescu D13/133
D470,107 S * 2/2003 Li et al. D13/133
D533,504 S * 12/2006 Lee D13/133
D533,835 S * 12/2006 Lee D13/133
D534,494 S * 1/2007 Li D13/133

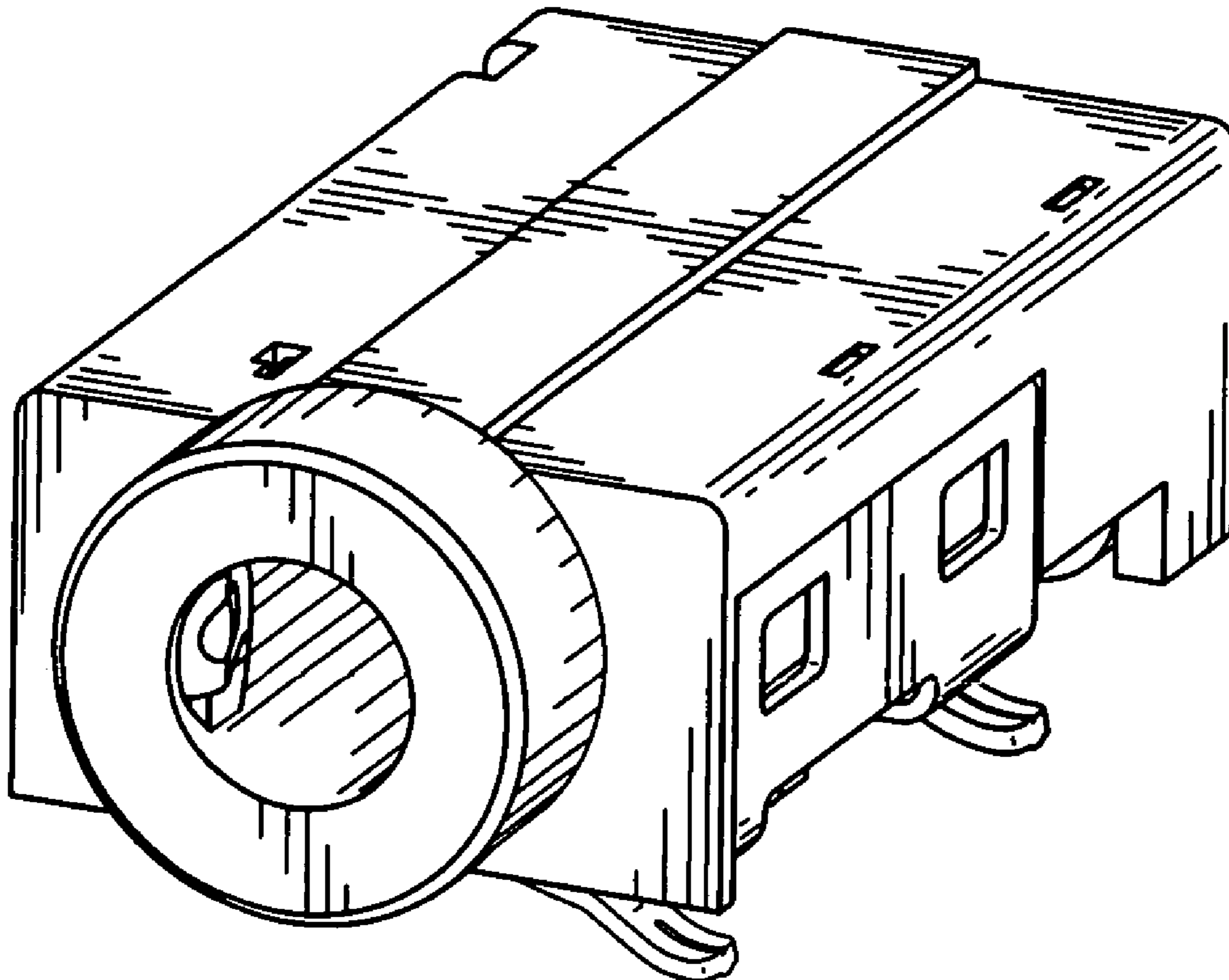
FIG. 6 is a top plan view thereof;

FIG. 7 is a bottom plan view thereof;

FIG. 8 is another perspective view of the audio jack; and,

FIG. 9 is a third perspective view of the audio jack.

1 Claim, 9 Drawing Sheets



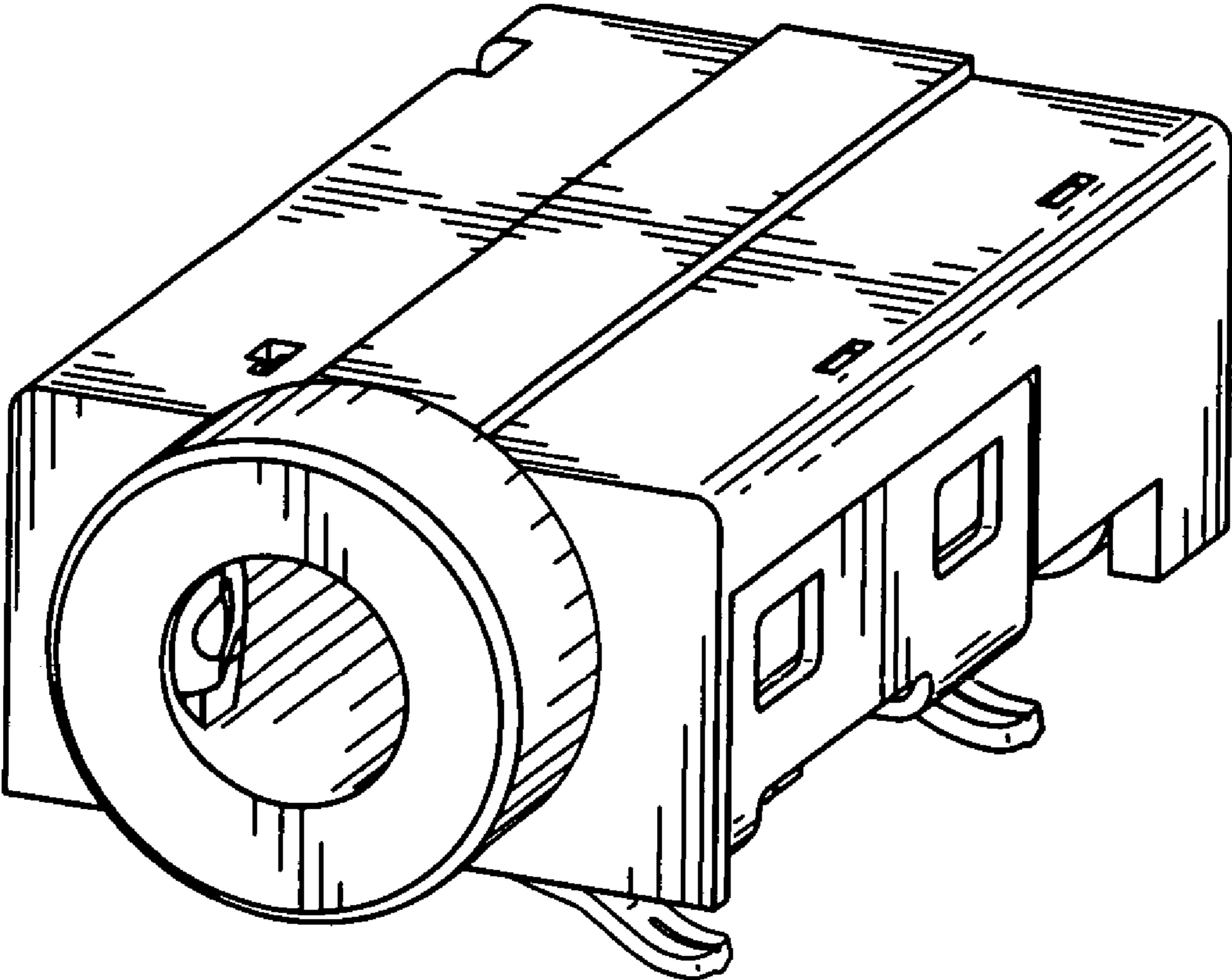


FIG. 1

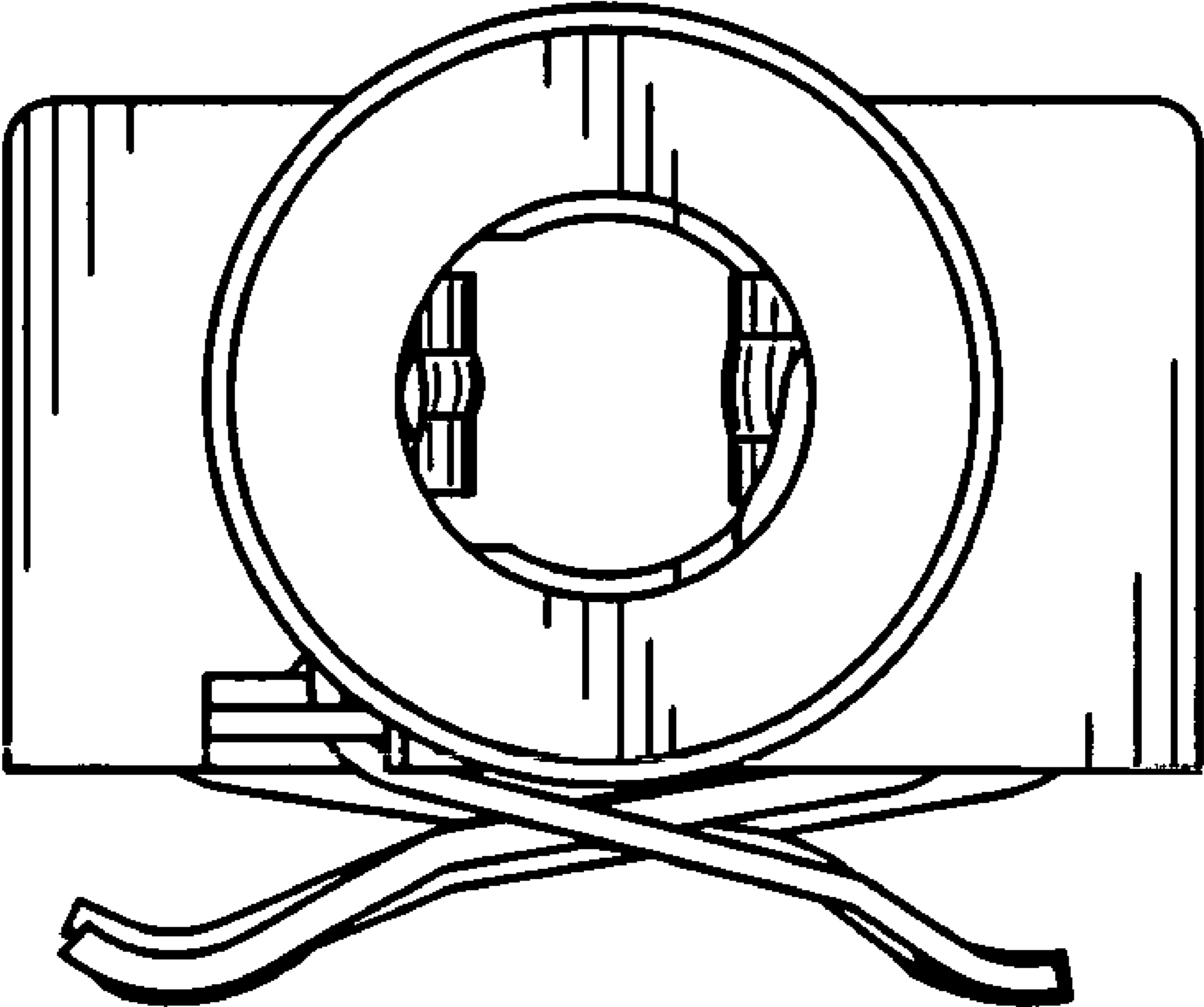


FIG. 2

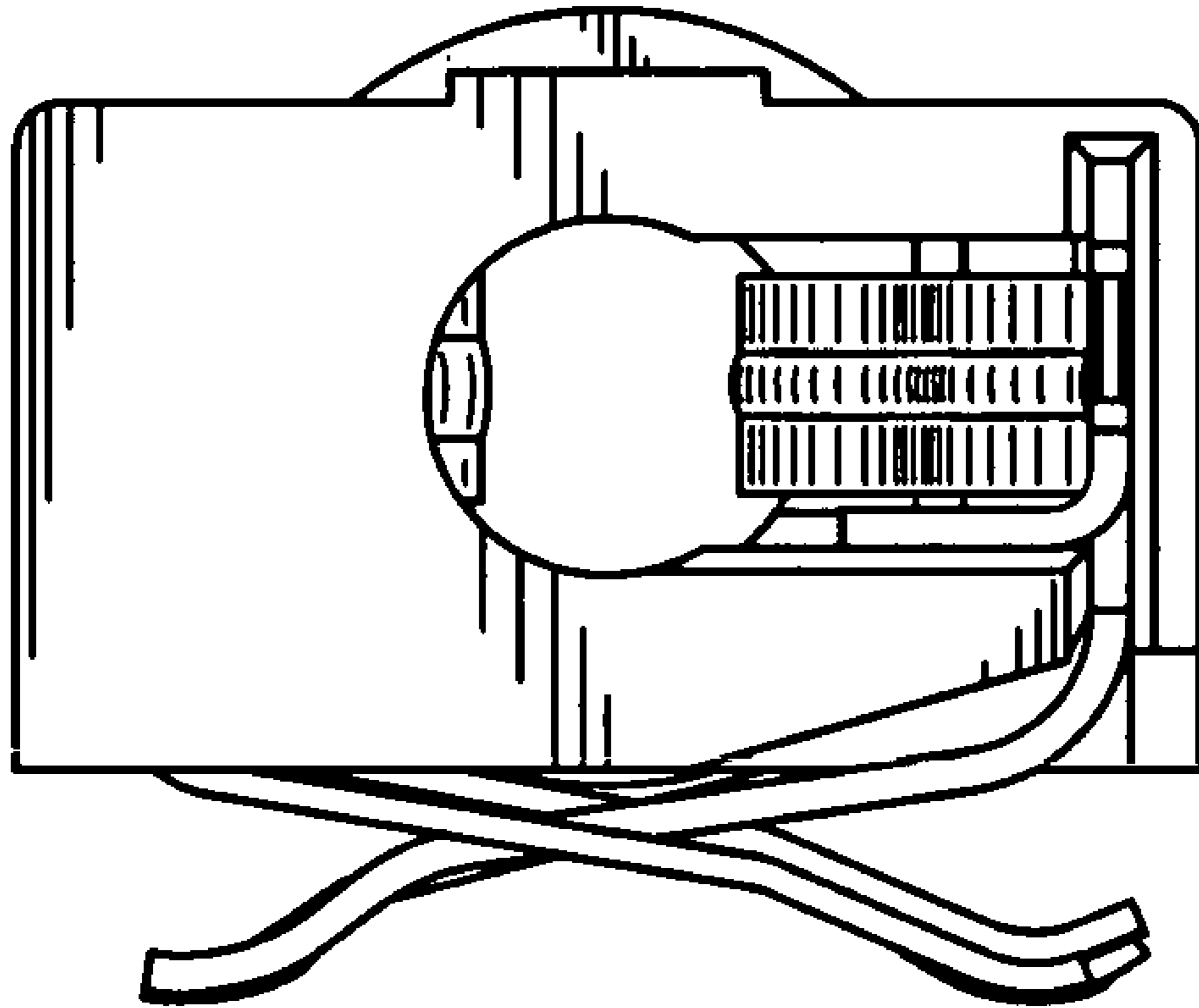


FIG. 3

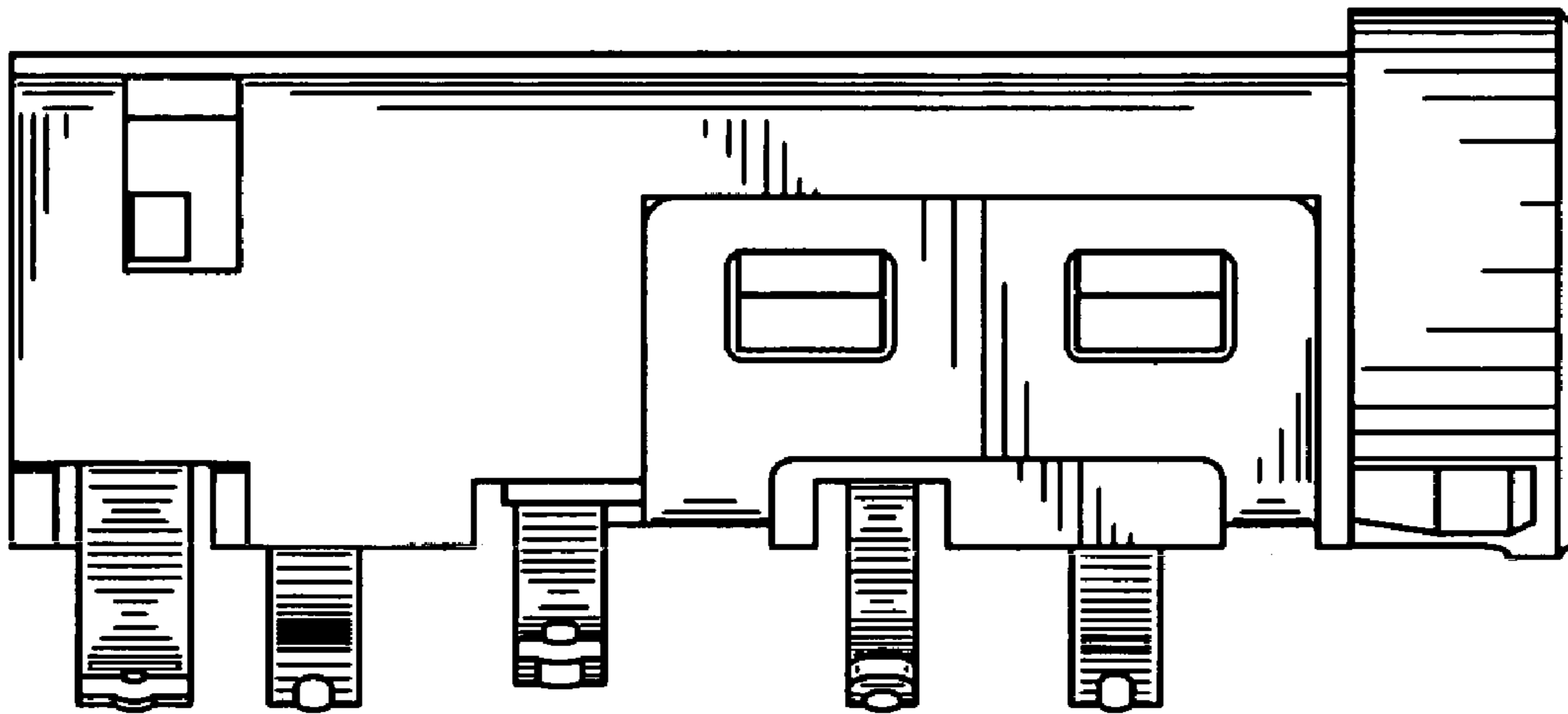


FIG. 4

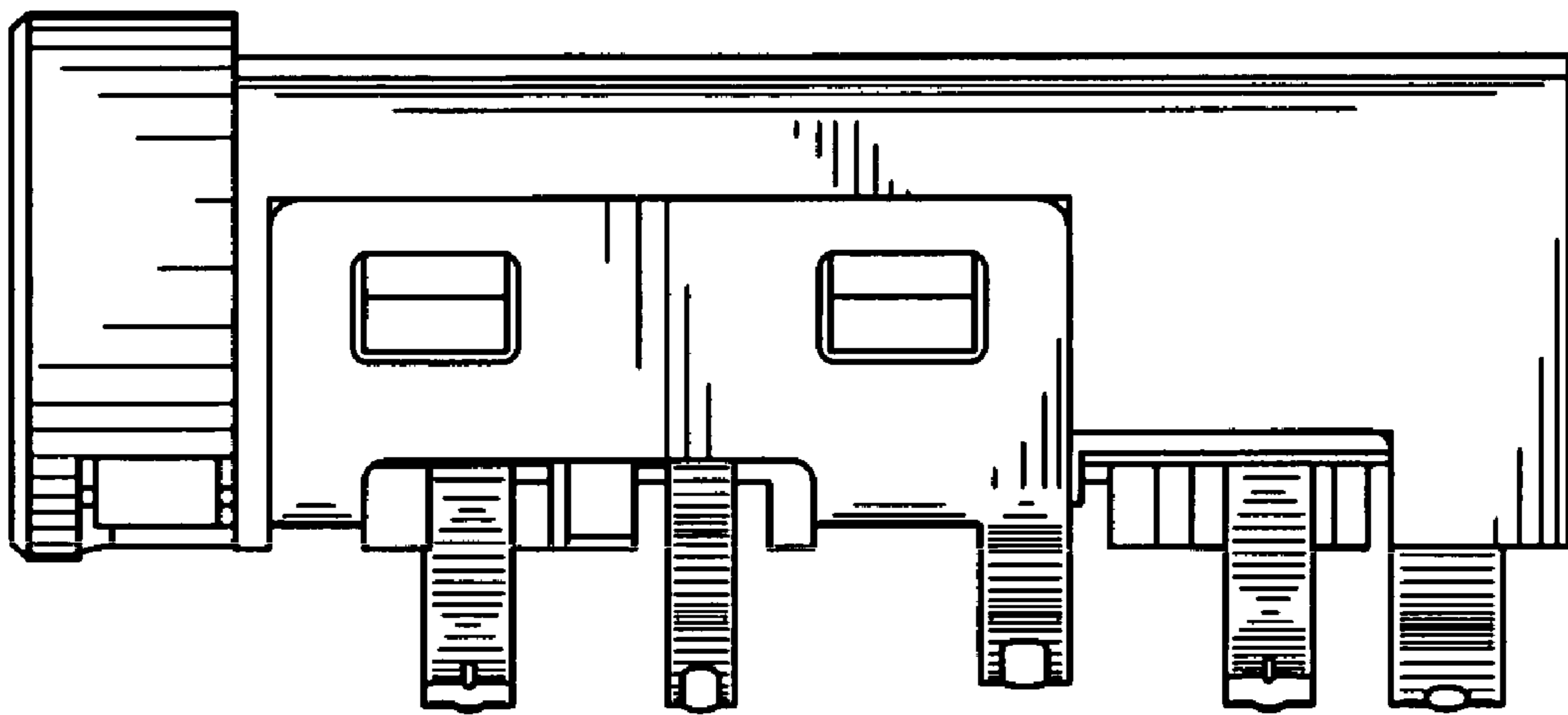


FIG. 5

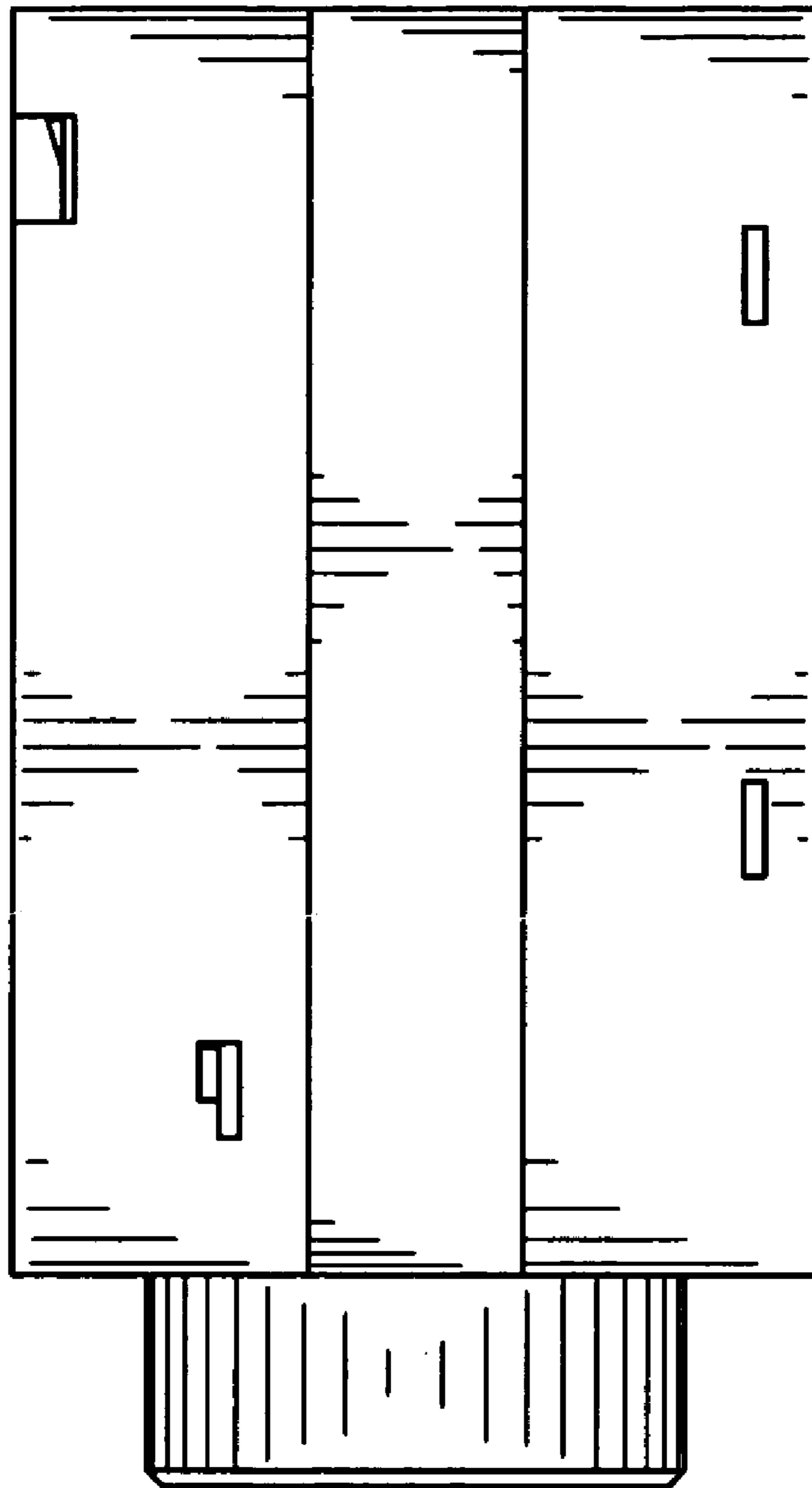


FIG. 6

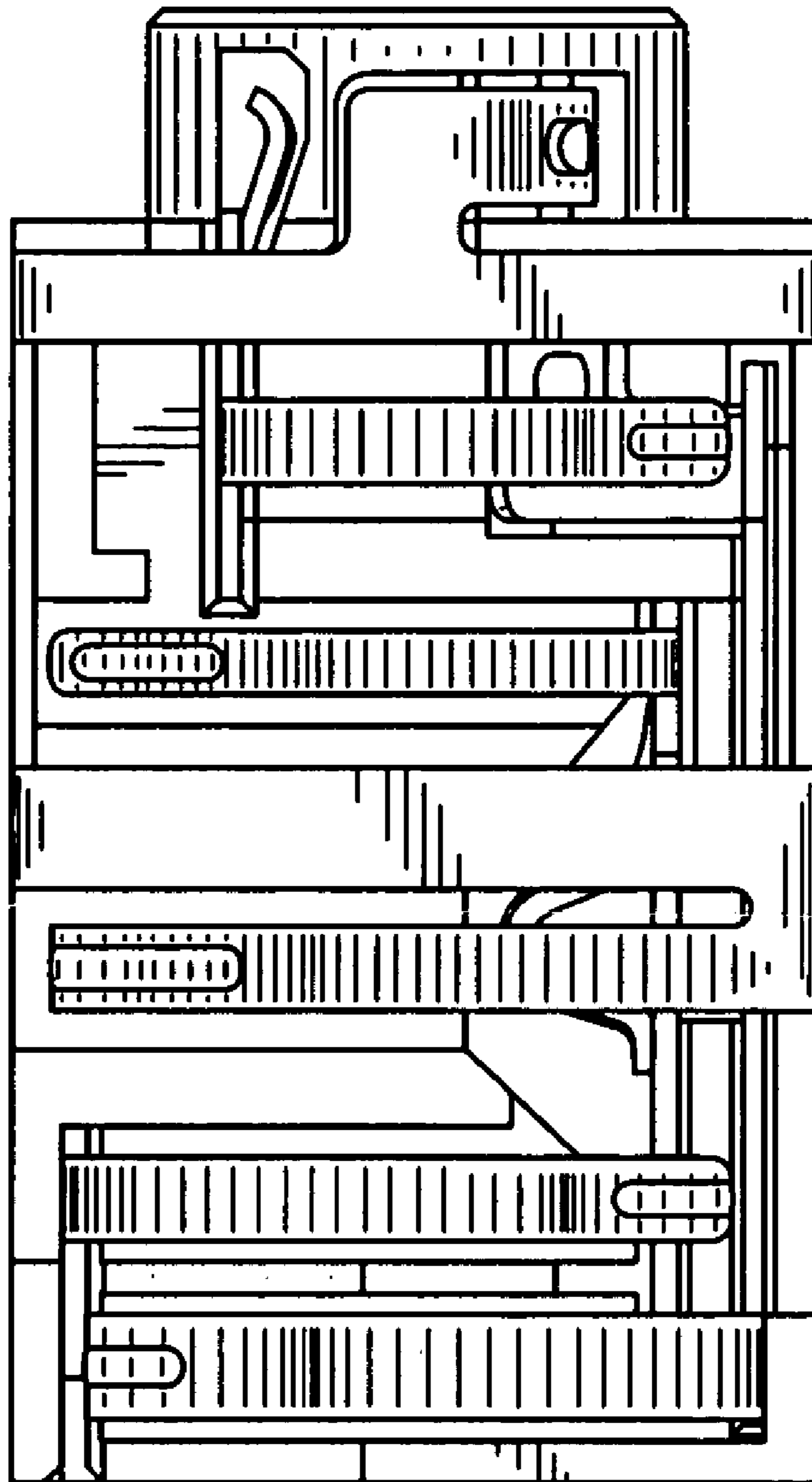


FIG. 7

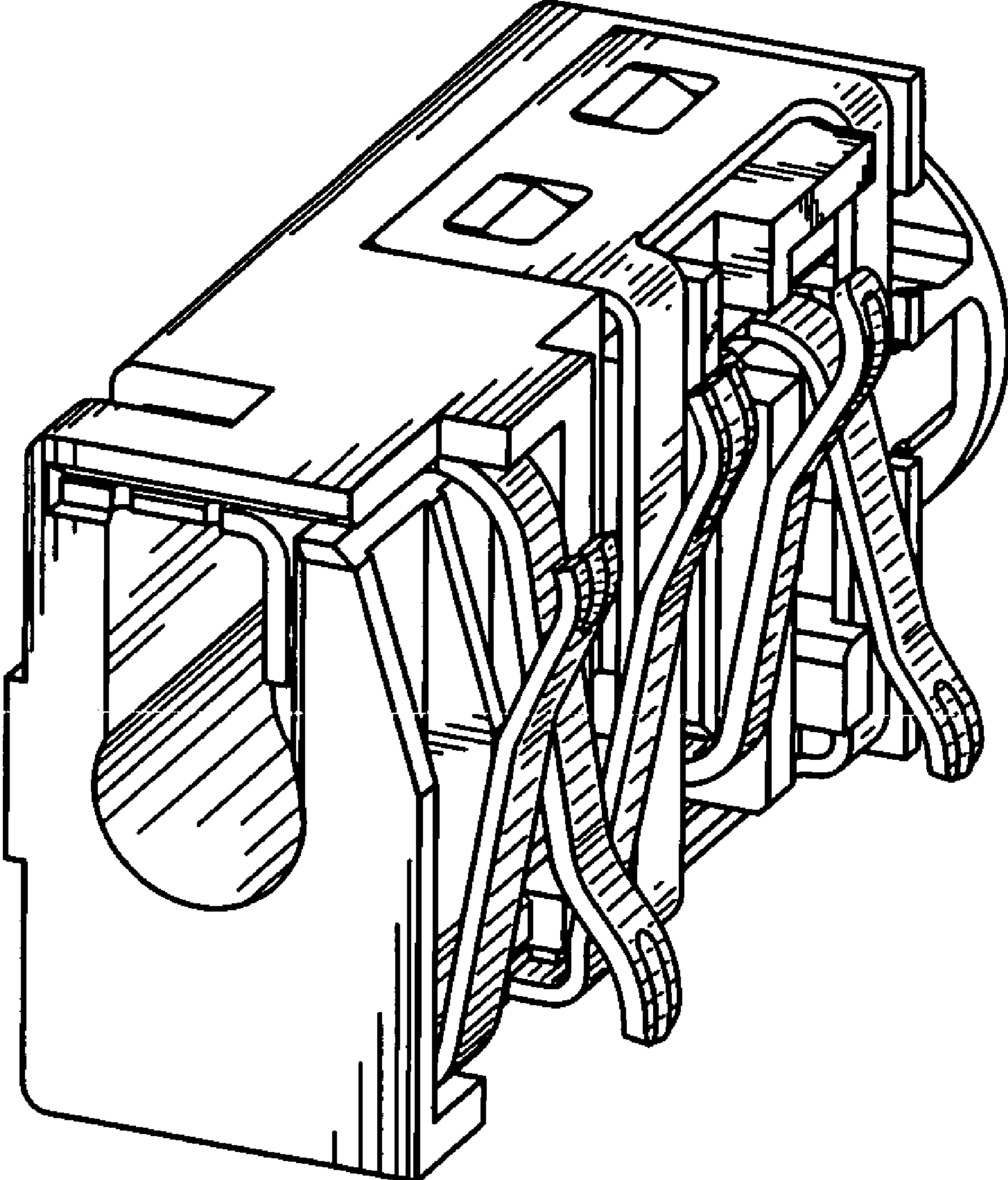


FIG. 8

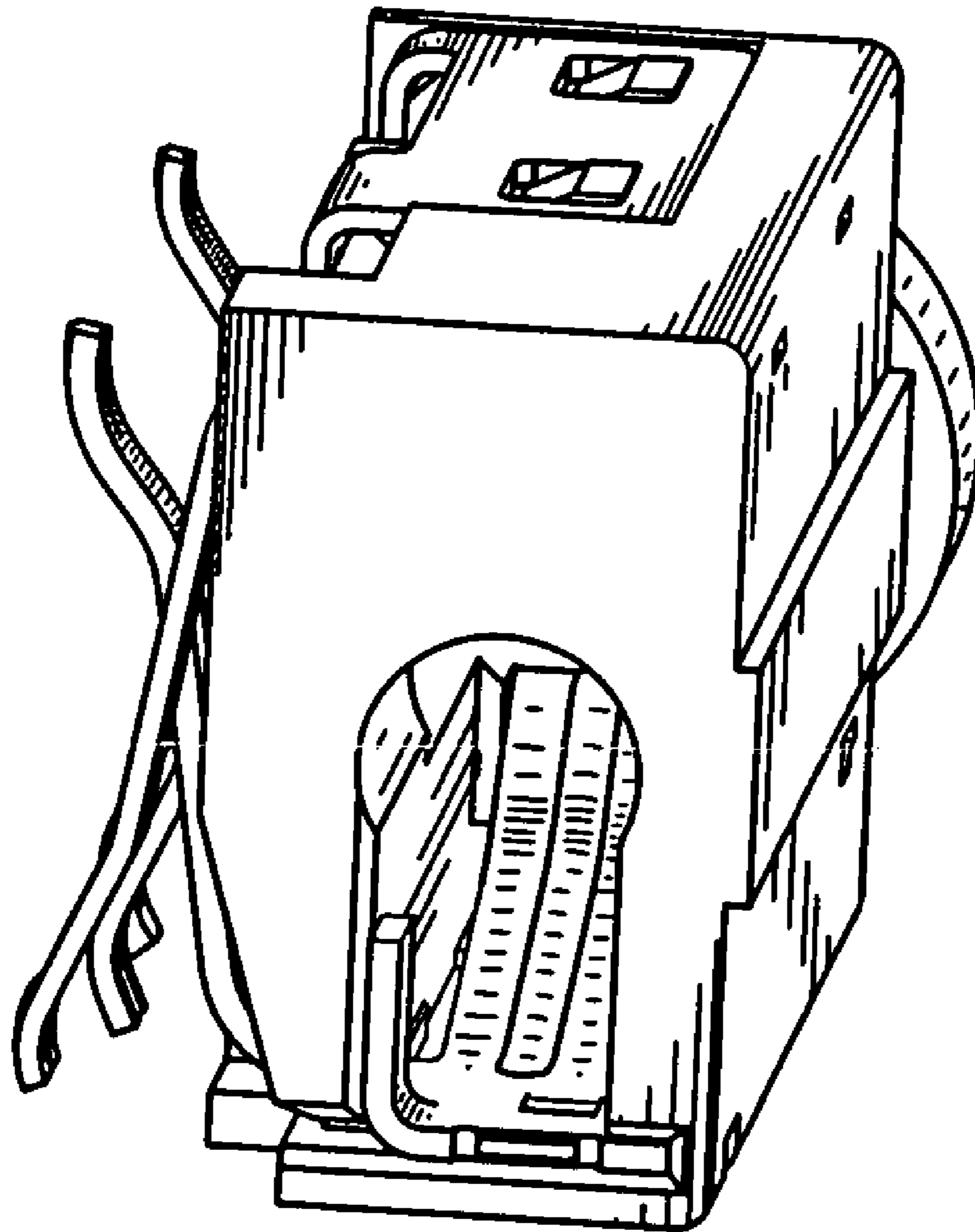


FIG. 9