



US00D575231S

(12) **United States Design Patent**  
**Ho et al.**

(10) **Patent No.:** **US D575,231 S**  
(45) **Date of Patent:** **\*\* Aug. 19, 2008**

(54) **SOCKET CONNECTOR**

(75) Inventors: **Hsin-tsung Ho**, Tu-Cheng (TW);  
**Chung-hsin Huang**, Tu-Cheng (TW);  
**Mei-chuan Yang**, Tu-Cheng (TW)

(73) Assignee: **Cheng Uei Precision Industry Co., Ltd.**, Taipei Hsien (TW)

(\*\*) Term: **14 Years**

(21) Appl. No.: **29/268,016**

(22) Filed: **Oct. 27, 2006**

(51) **LOC (8) Cl.** ..... **13-03**

(52) **U.S. Cl.** ..... **D13/133**

(58) **Field of Classification Search** ..... D13/133,  
D13/146, 147, 154, 184, 199; 439/278, 607,  
439/668, 669, 894

See application file for complete search history.

(56) **References Cited**

**U.S. PATENT DOCUMENTS**

D236,250 S \* 8/1975 Walton ..... D8/396  
D302,421 S \* 7/1989 Ichitsubo ..... D13/133  
D379,969 S \* 6/1997 Tan ..... D13/147  
D450,659 S \* 11/2001 Hu et al. .... D13/147  
D462,054 S \* 8/2002 Ma et al. .... D13/133  
D467,872 S \* 12/2002 Yeh ..... D13/133

D523,815 S \* 6/2006 Lai ..... D13/147  
D556,137 S \* 11/2007 Lin et al. .... D13/133  
2002/0193006 A1 \* 12/2002 Ma et al. .... 439/669

\* cited by examiner

*Primary Examiner*—Caniel D Bui

*Assistant Examiner*—Thomas J Johannes

(74) *Attorney, Agent, or Firm*—Rosenberg, Klein & Lee

(57) **CLAIM**

The ornamental design for a socket connector, as shown and described.

**DESCRIPTION**

FIG. 1 is a perspective view of a socket connector showing our new design;

FIG. 2 is a front elevational view thereof;

FIG. 3 is a rear elevational view thereof;

FIG. 4 is a left side elevational view thereof;

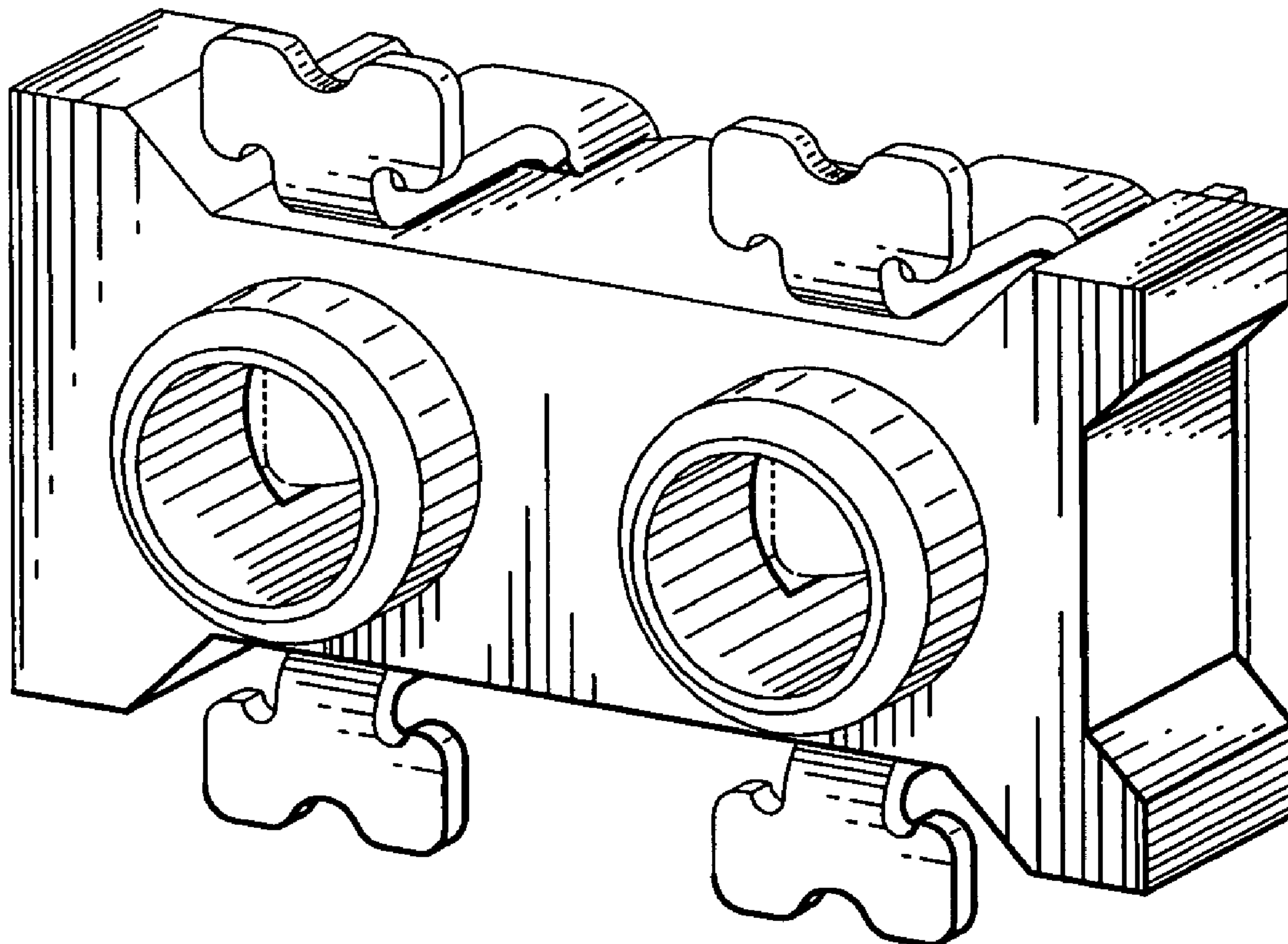
FIG. 5 is a right side elevational view thereof;

FIG. 6 is a top plan view thereof; and,

FIG. 7 is a bottom plan view thereof.

The broken-line disclosure in the view is for illustrative purposes only and forms no part of the claimed design.

**1 Claim, 7 Drawing Sheets**



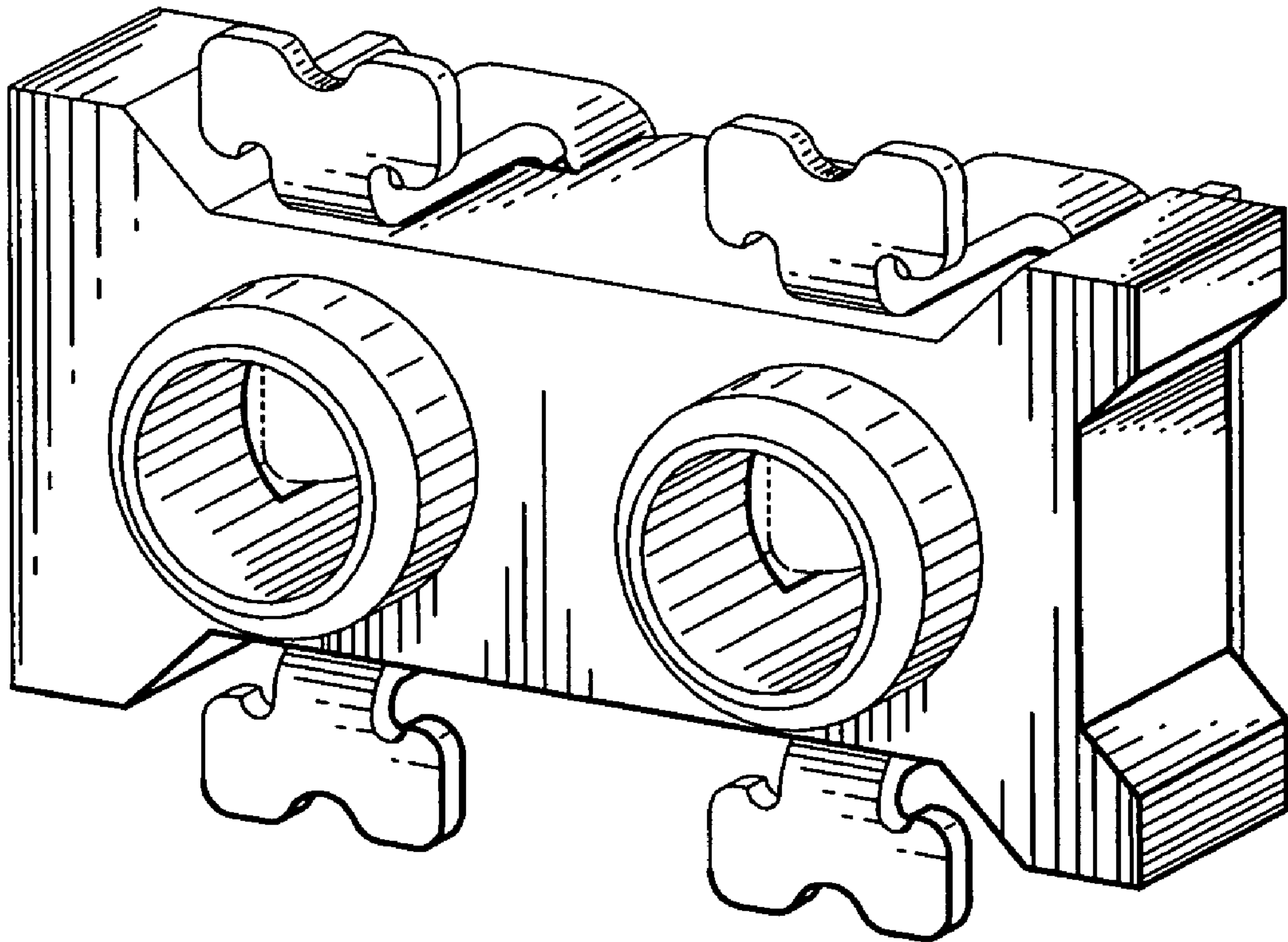


FIG. 1

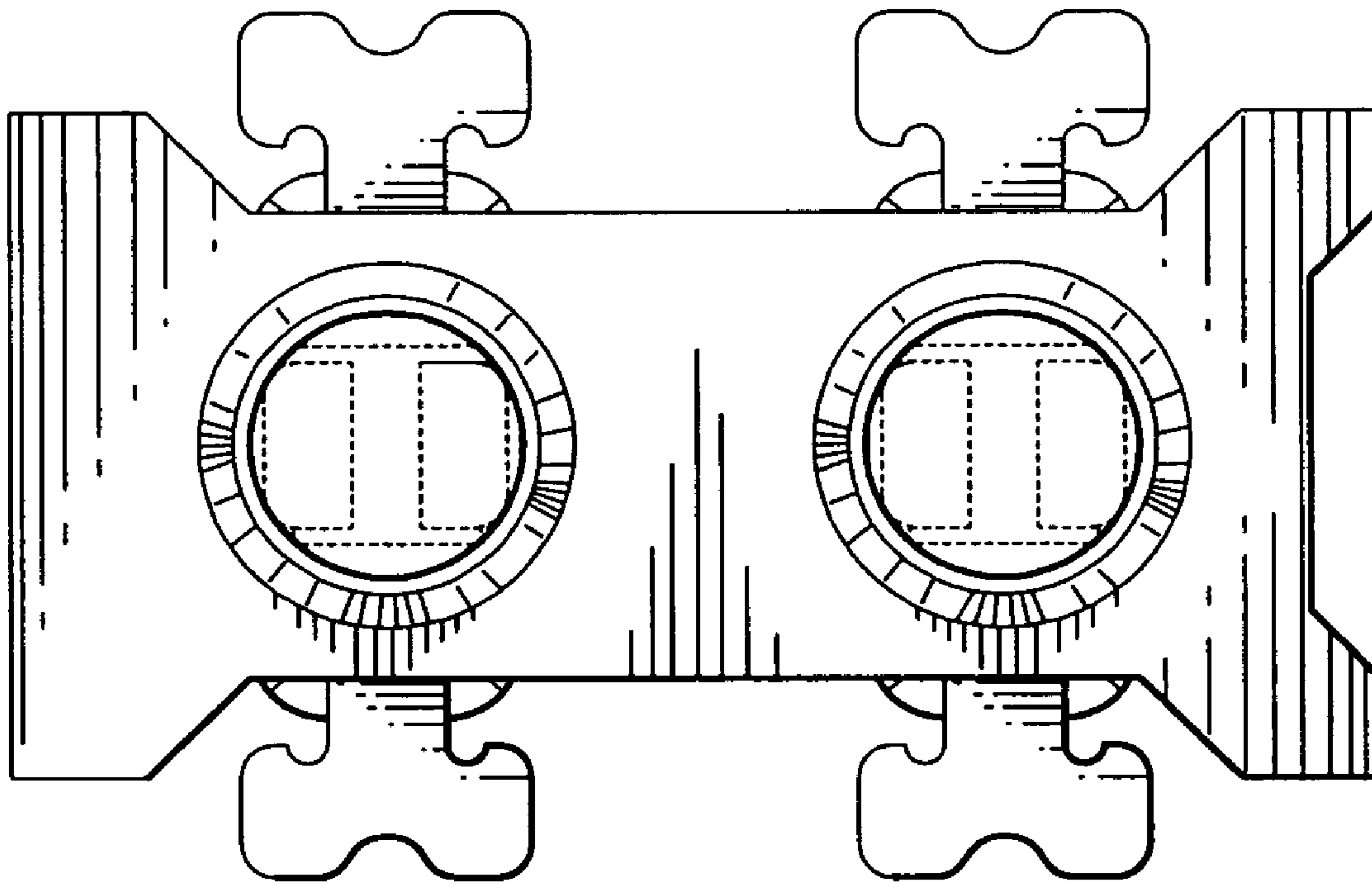


FIG. 2

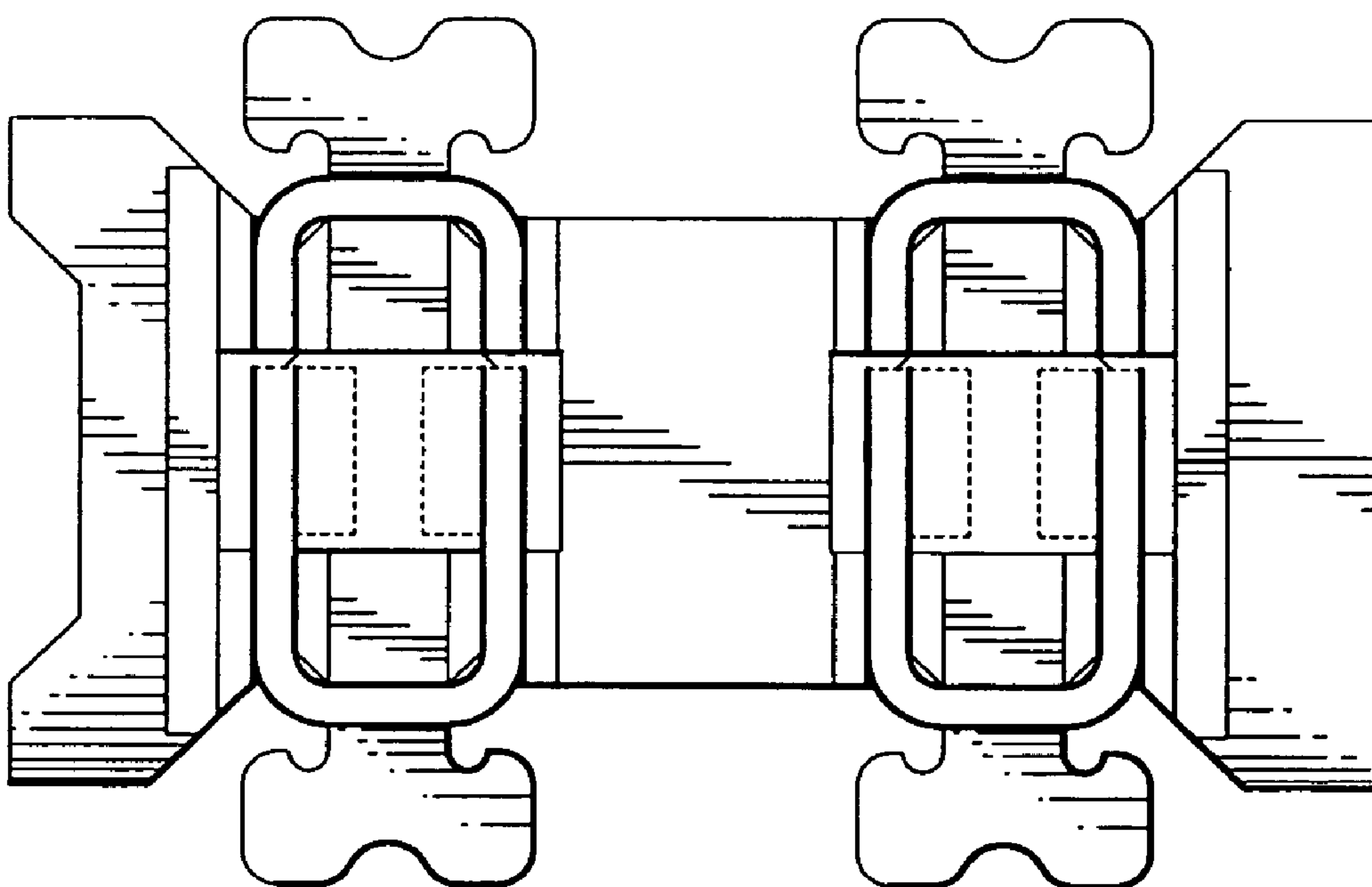


FIG. 3

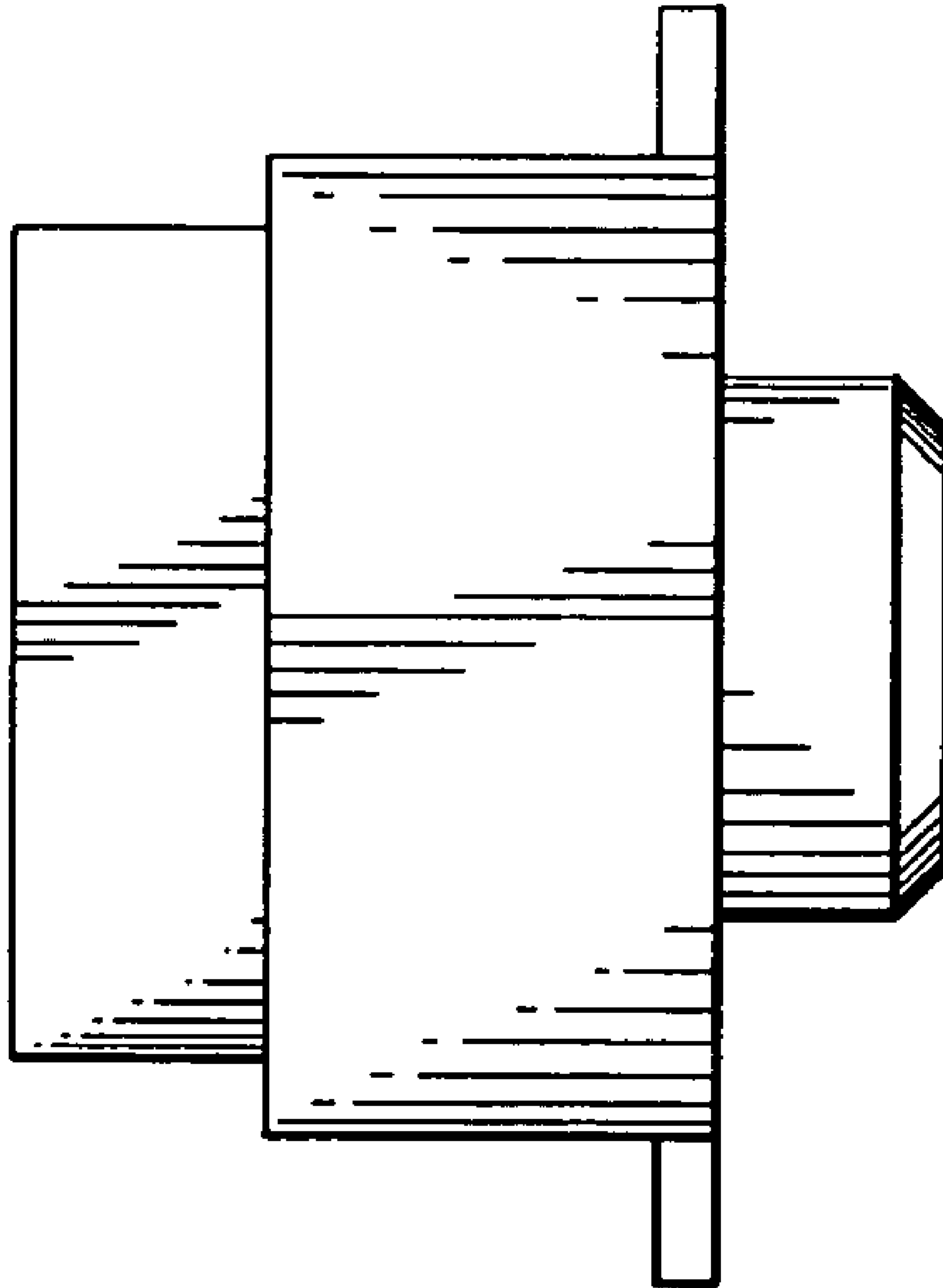


FIG. 4

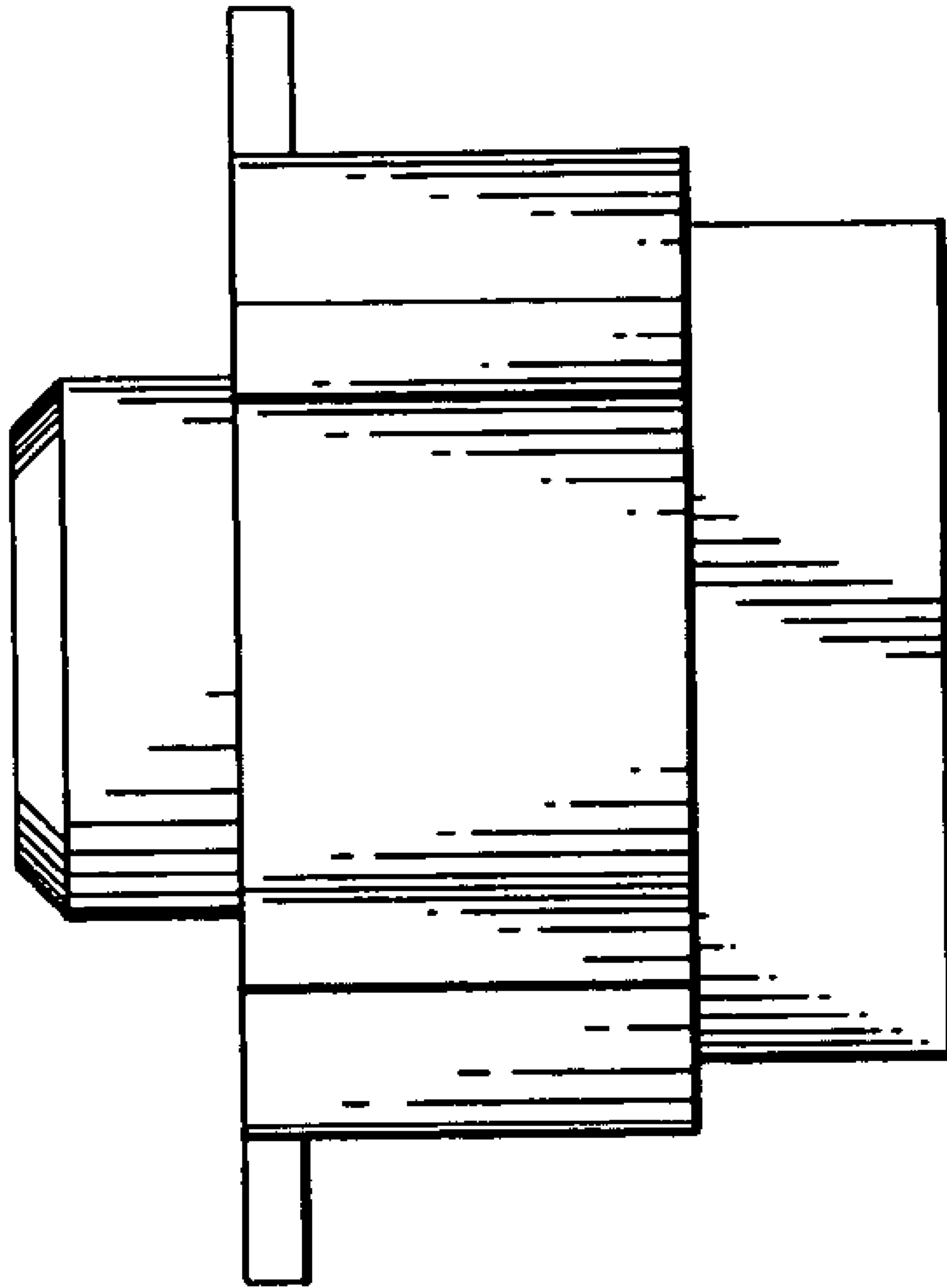


FIG. 5

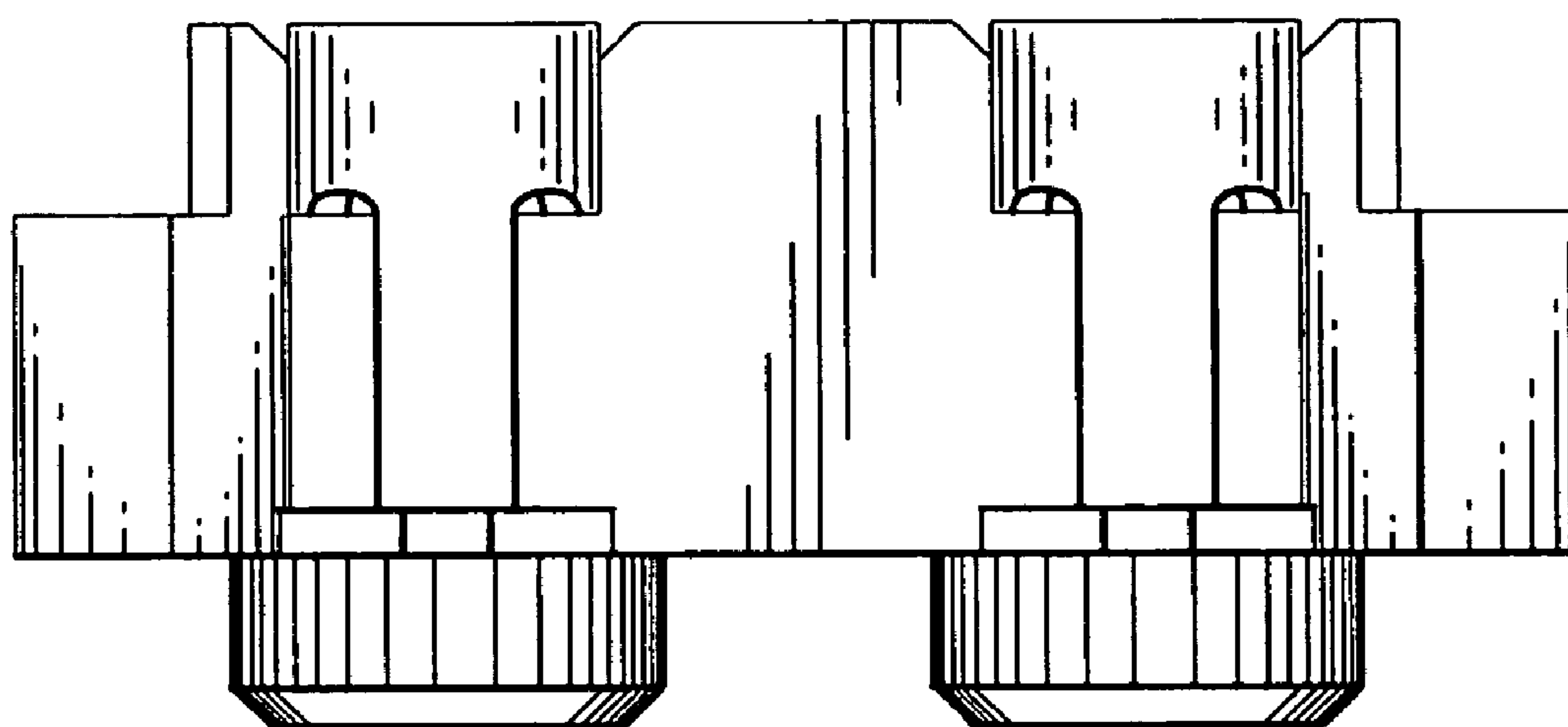


FIG. 6

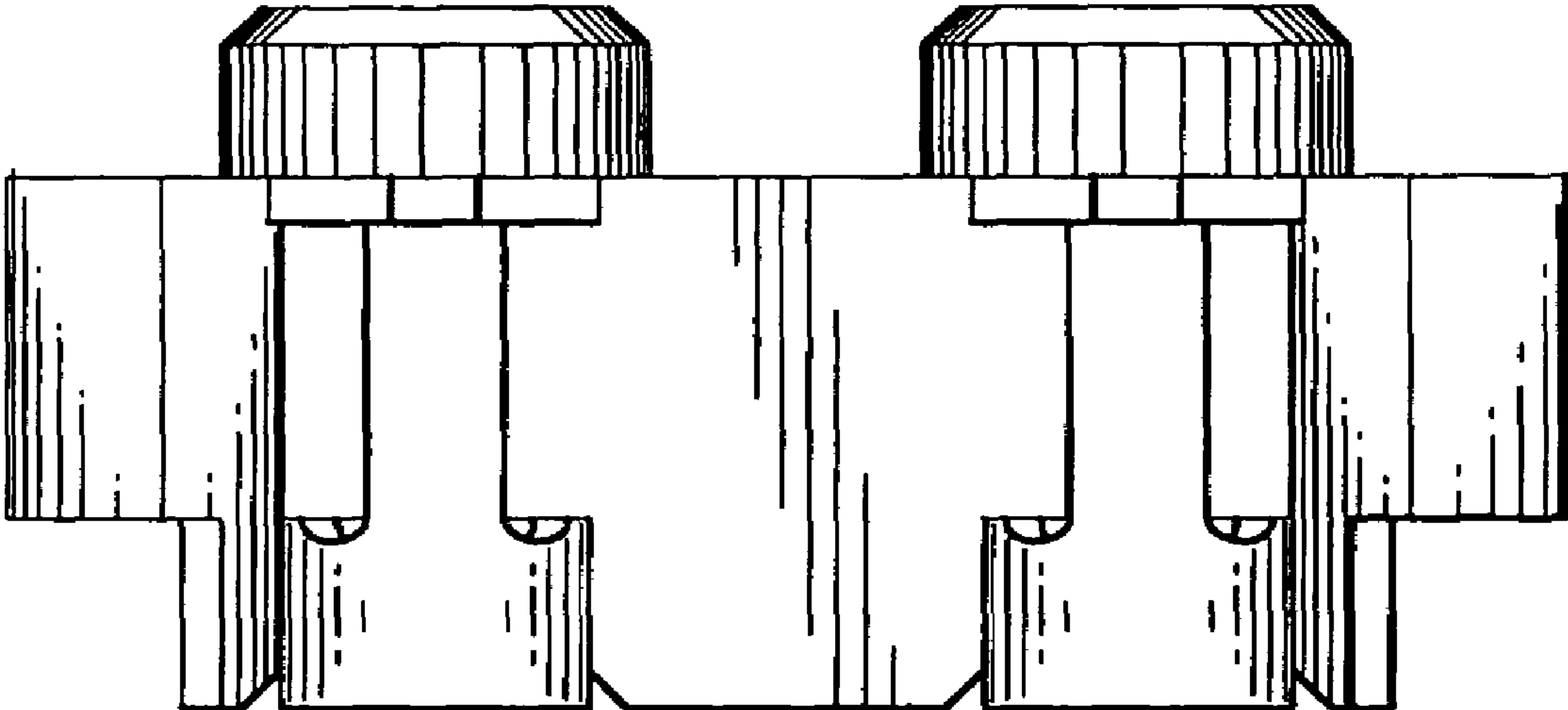


FIG. 7