



US00D575229S

(12) **United States Design Patent**
Chen et al.

(10) **Patent No.:** **US D575,229 S**

(45) **Date of Patent:** **** Aug. 19, 2008**

(54) **BATTERY CONNECTOR**

(75) Inventors: **Ming Chiang Chen**, Tu-Cheng (TW);
Ping Chih Chen, Tu-Cheng (TW); **Guo Xun Huang**, Tu-Cheng (TW)

(73) Assignee: **Cheng Uei Precision Industry Co., Ltd.**, Taipei Hsien (TW)

(**) Term: **14 Years**

(21) Appl. No.: **29/287,833**

(22) Filed: **Sep. 25, 2007**

(51) **LOC (8) Cl.** **13-03**

(52) **U.S. Cl.** **D13/120**

(58) **Field of Classification Search** D13/118–121,
D13/133, 146–147, 184, 199; 439/83, 108,
439/166, 500, 577, 630, 660, 680, 700, 773.1,
439/862

See application file for complete search history.

(56) **References Cited**

U.S. PATENT DOCUMENTS

D419,133	S	*	1/2000	Yoshida et al.	D13/120
D486,448	S	*	2/2004	Watanabe et al.	D13/120
6,951,488	B2	*	10/2005	Hsieh	439/660
D535,617	S	*	1/2007	Yoneyama et al.	D13/133
D538,228	S	*	3/2007	Wang et al.	D13/146
D557,212	S	*	12/2007	Huang et al.	D13/120
D558,671	S	*	1/2008	Chen	D13/120

D559,181	S	*	1/2008	Yan	D13/120
D561,100	S	*	2/2008	Hsu et al.	D13/120
D562,241	S	*	2/2008	Hsu et al.	D13/146
D562,251	S	*	2/2008	Ma et al.	D13/147
D563,322	S	*	3/2008	Ma	D13/146
2007/0232102	A1	*	10/2007	Huang et al.	439/166

* cited by examiner

Primary Examiner—Jennifer Rivard

Assistant Examiner—Rosemary K Tarcza

(74) *Attorney, Agent, or Firm*—Rosenberg, Klein & Lee

(57) **CLAIM**

The ornamental design for a battery connector, as shown and described.

DESCRIPTION

FIG. 1 is a perspective view of a battery connector showing our new design;

FIG. 2 is a front elevational view thereof;

FIG. 3 is a rear elevational view thereof;

FIG. 4 is a left side elevational view thereof;

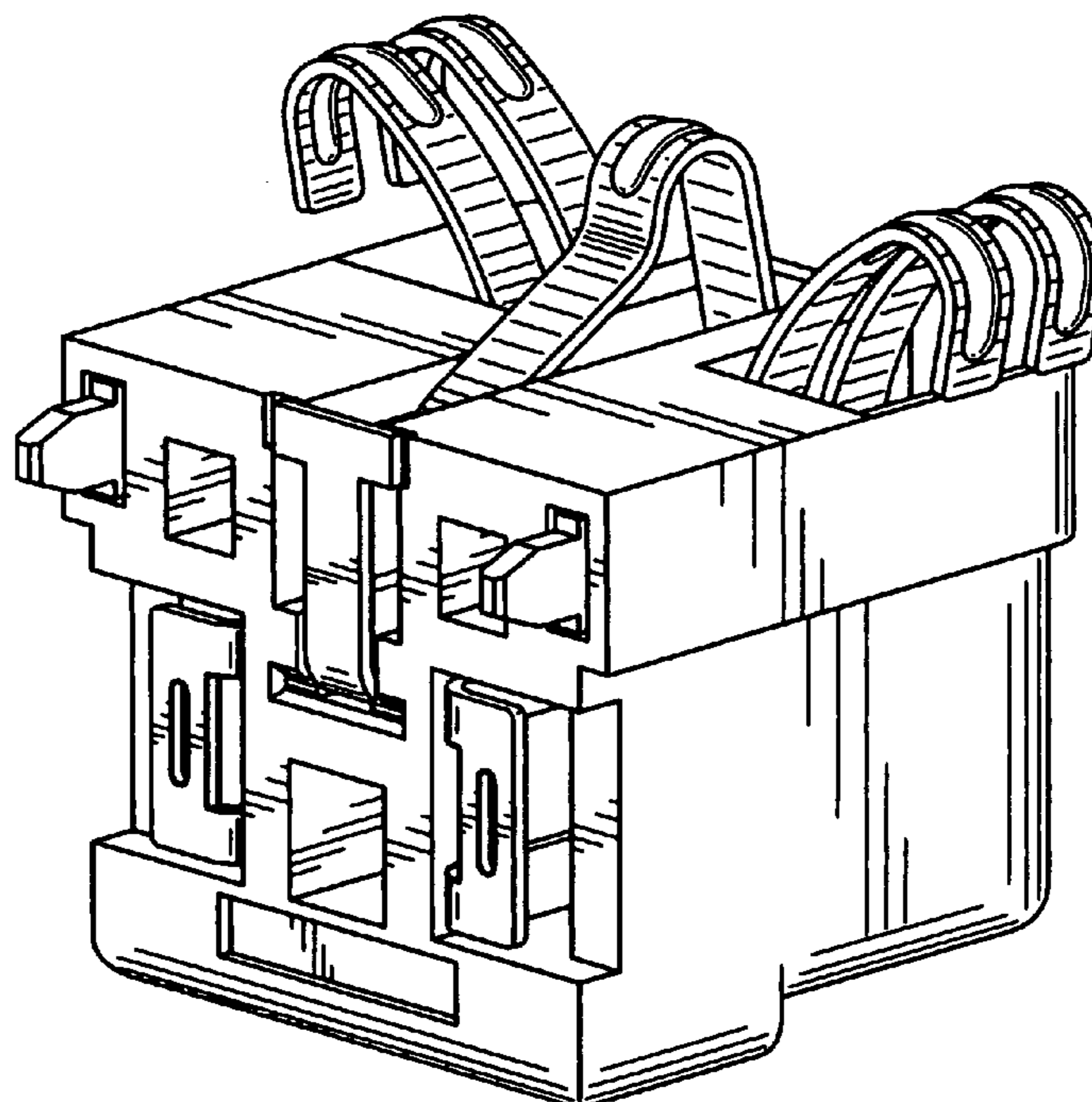
FIG. 5 is a right side elevational view thereof;

FIG. 6 is a top plan view thereof; and,

FIG. 7 is a bottom plan view thereof.

The broken lines are shown for illustrative purposes only and form no part of the claimed design.

1 Claim, 7 Drawing Sheets



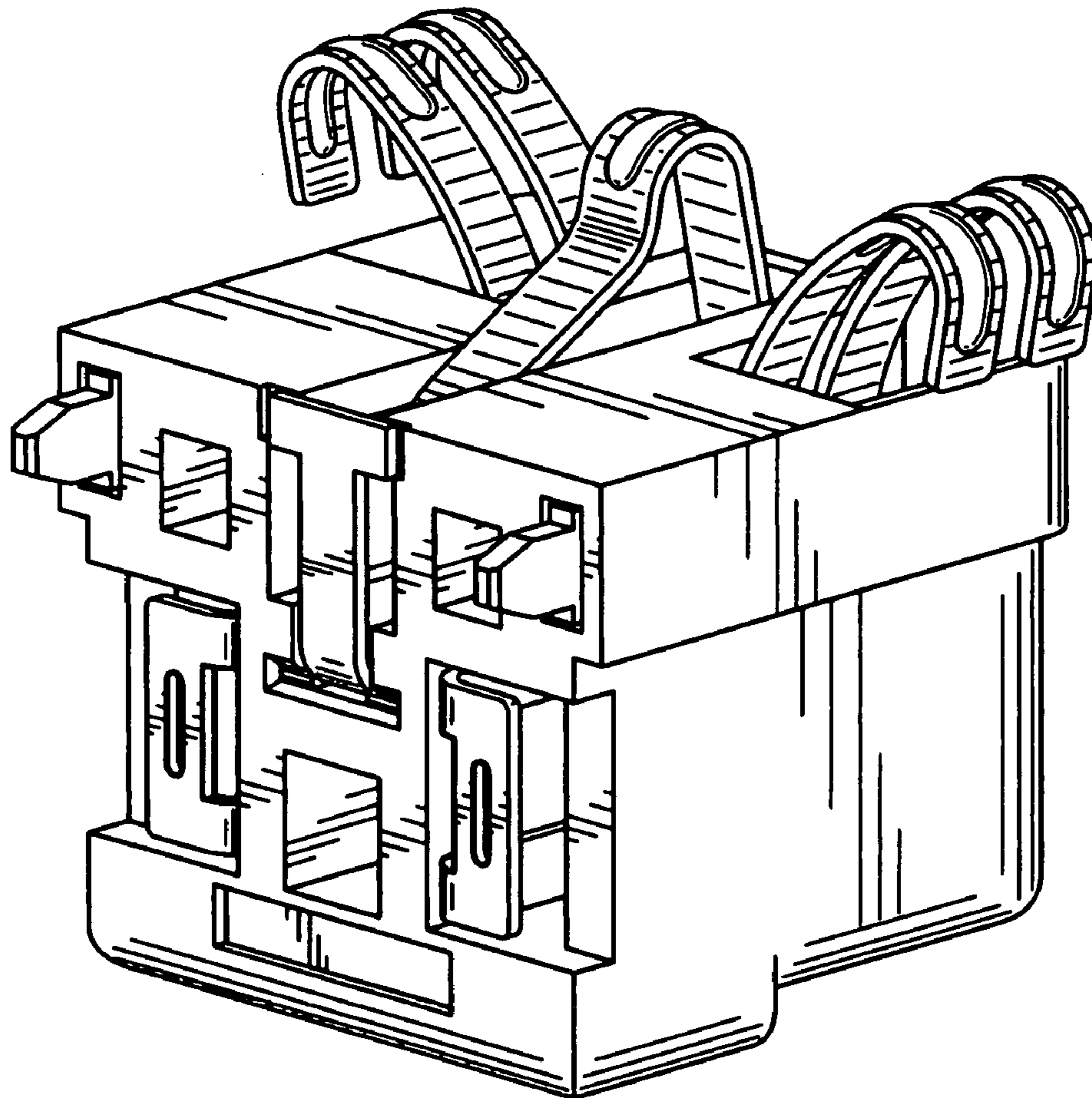


FIG. 1

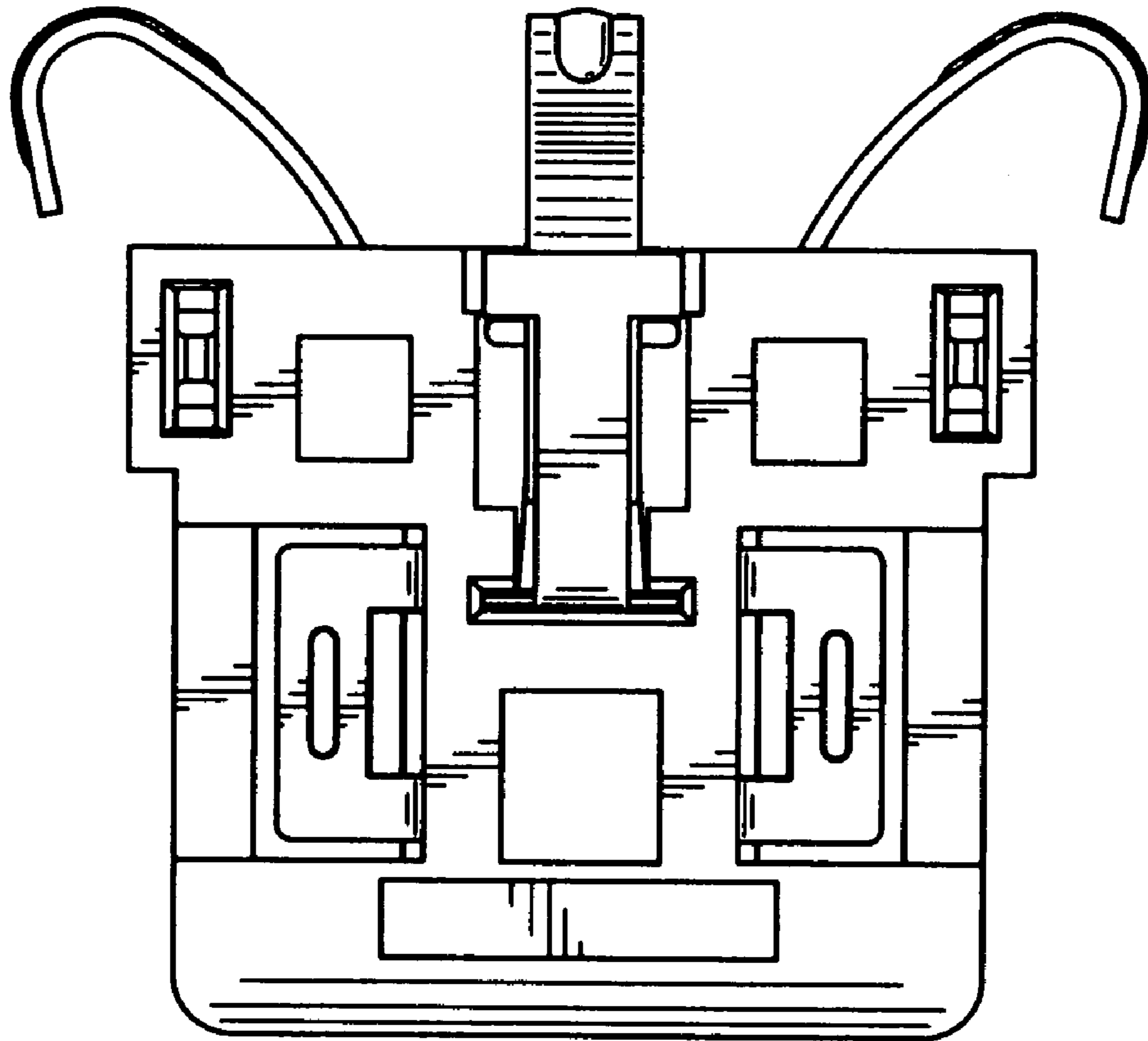


FIG. 2

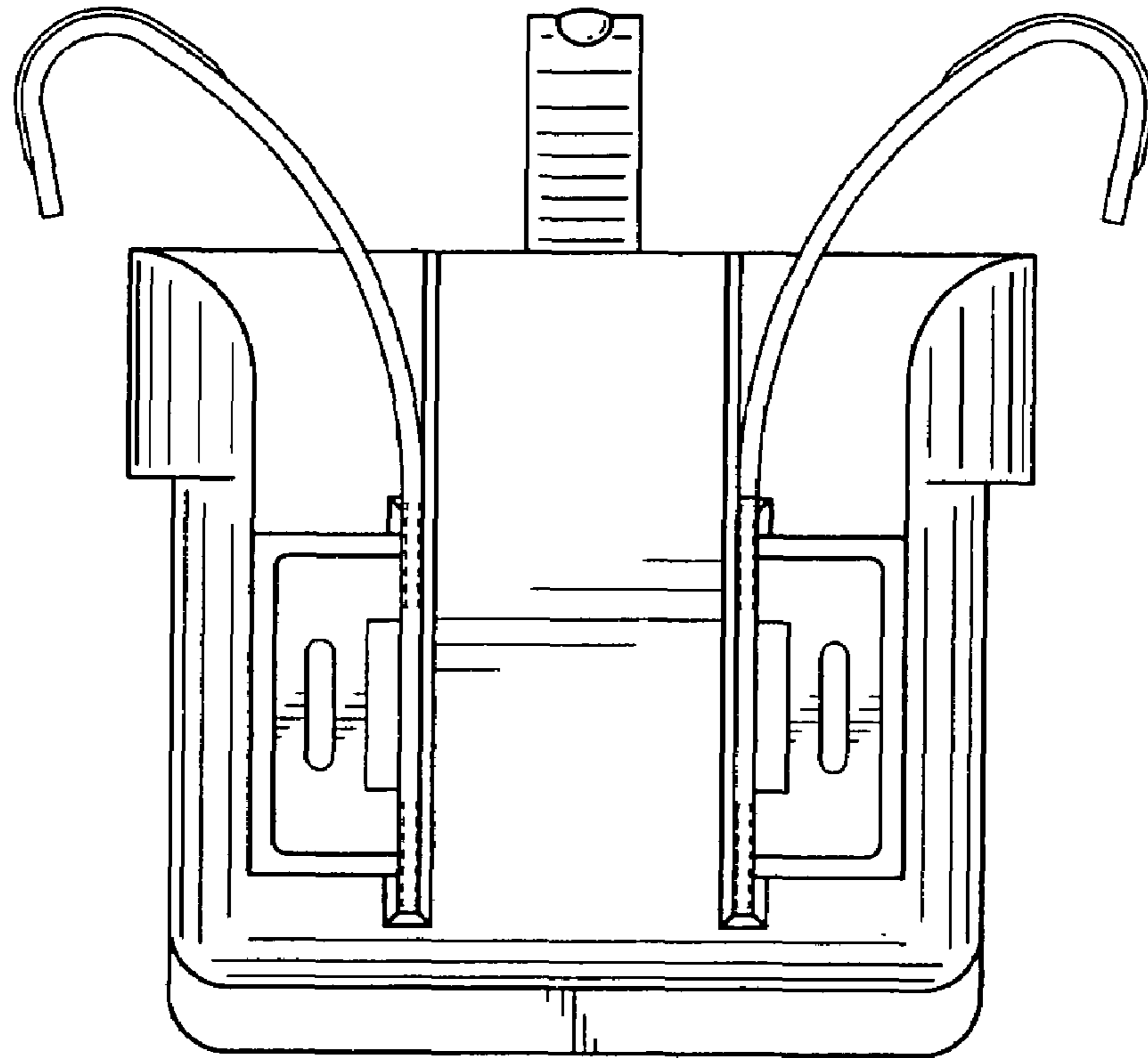


FIG. 3

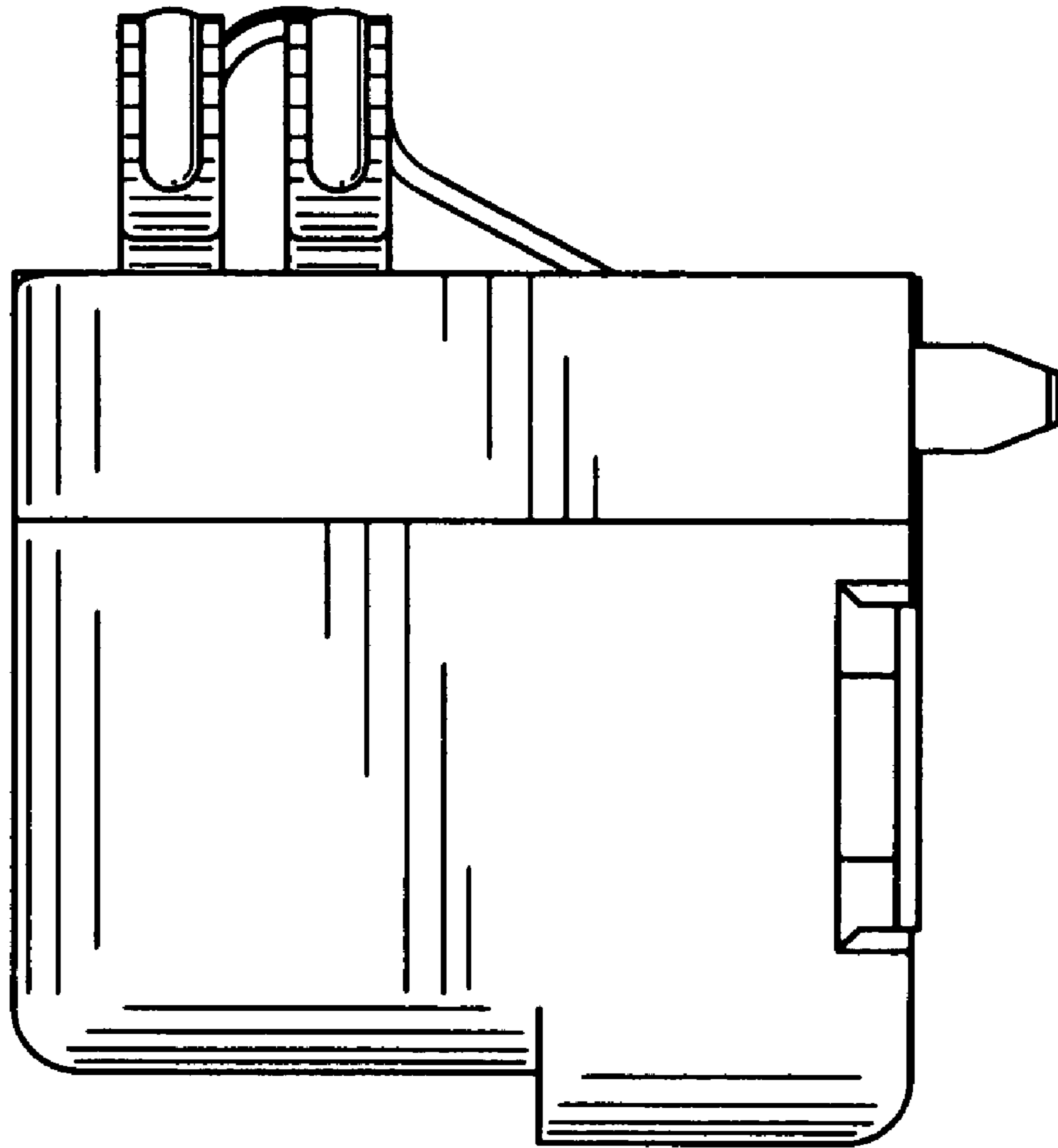


FIG. 4

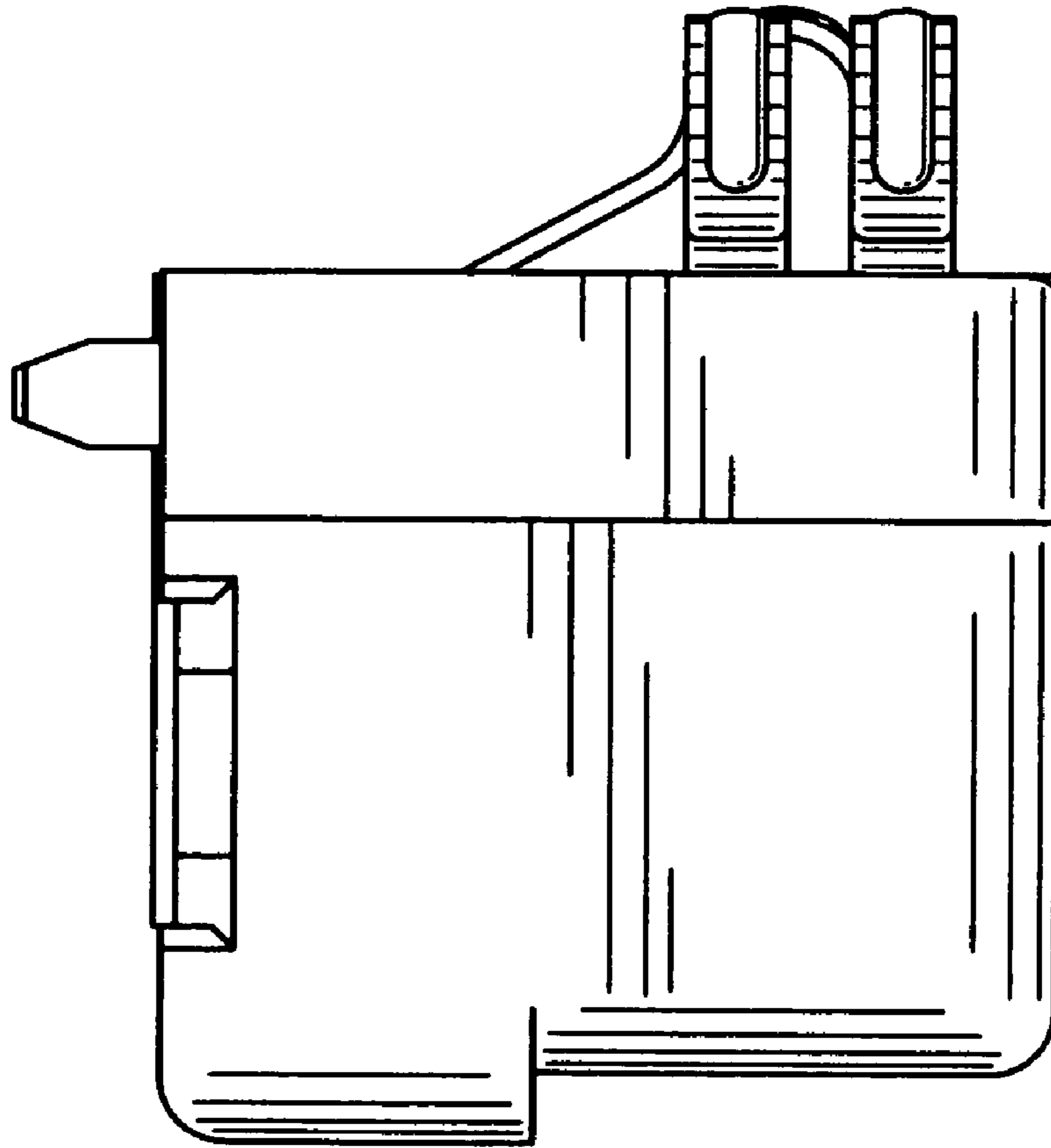


FIG. 5

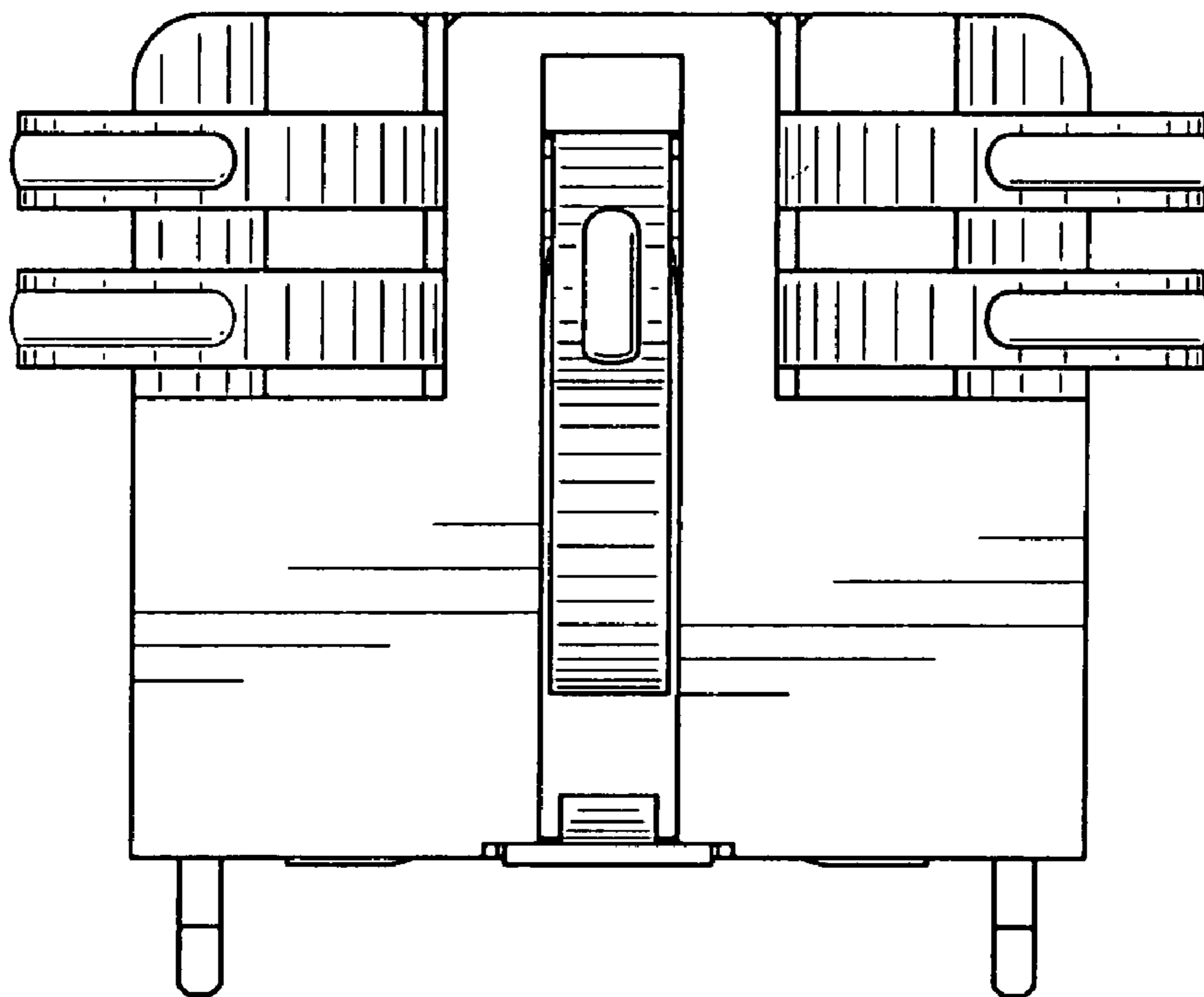


FIG. 6

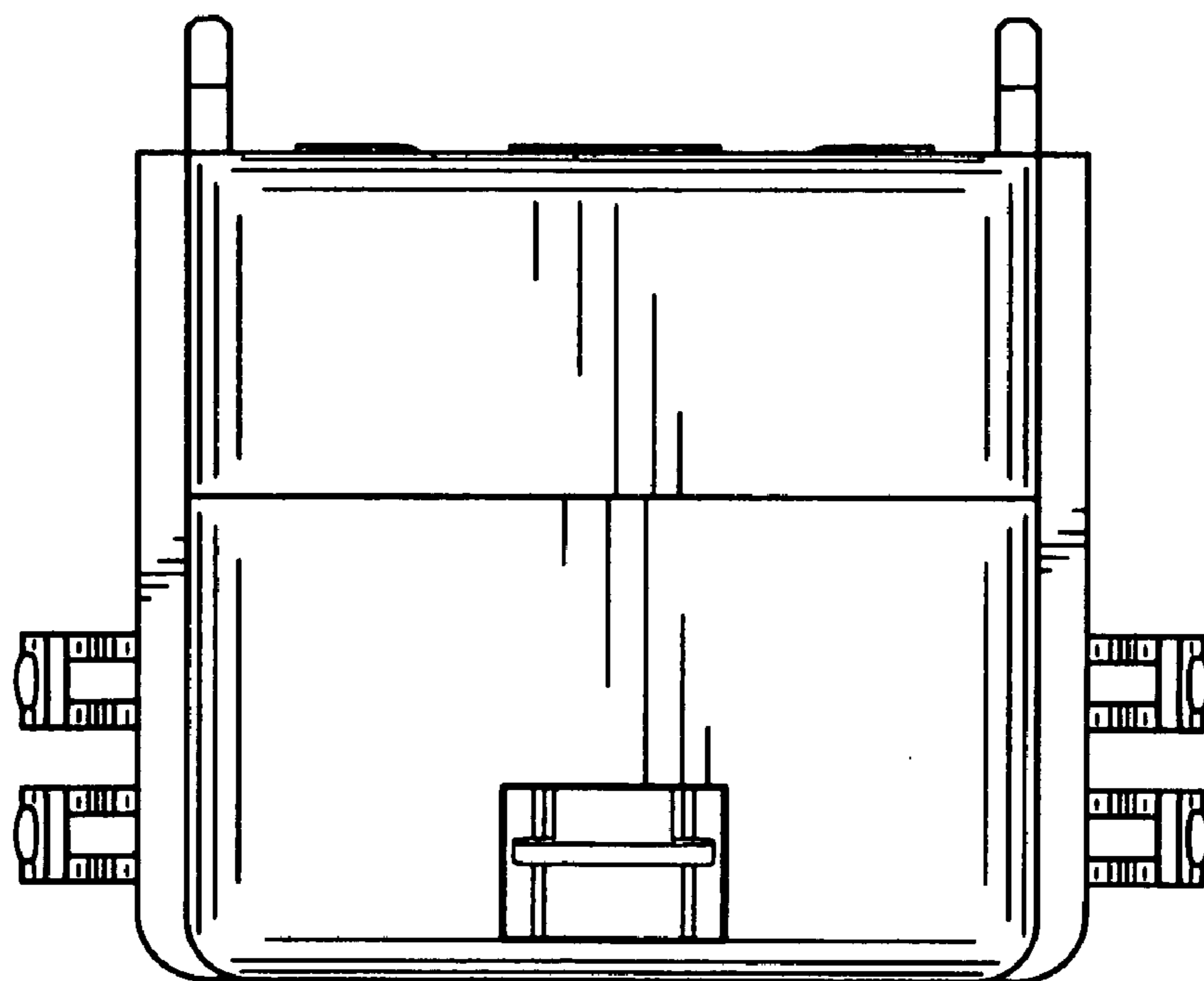


FIG. 7