



US00D575228S

(12) **United States Design Patent**  
**So**

(10) **Patent No.:** **US D575,228 S**

(45) **Date of Patent:** **\*\* Aug. 19, 2008**

(54) **DC BOOSTER**

(75) Inventor: **Kam Wah So**, Shaukiwan (HK)

(73) Assignee: **Combotronic Limited**, Shaukiwan (HK)

(\*\*) Term: **14 Years**

(21) Appl. No.: **29/299,640**

(22) Filed: **Dec. 31, 2007**

(51) **LOC (8) Cl.** ..... **13-02**

(52) **U.S. Cl.** ..... **D13/110**

(58) **Field of Classification Search** ..... D13/110,  
D13/123, 147, 199; 361/686; 363/146; 439/623,  
439/639, 640

See application file for complete search history.

(56) **References Cited**

**U.S. PATENT DOCUMENTS**

|           |     |         |                      |         |
|-----------|-----|---------|----------------------|---------|
| 5,547,399 | A * | 8/1996  | Naghi et al. ....    | 439/623 |
| D381,628  | S * | 7/1997  | Ashida .....         | D13/147 |
| D381,629  | S * | 7/1997  | Goto .....           | D13/147 |
| D383,115  | S * | 9/1997  | Nagele et al. ....   | D13/110 |
| D449,030  | S * | 10/2001 | Baxter et al. ....   | D13/110 |
| D451,473  | S * | 12/2001 | Goto .....           | D13/147 |
| D456,008  | S * | 4/2002  | Kawanobe et al. .... | D13/110 |
| D474,739  | S * | 5/2003  | Chang .....          | D13/110 |

\* cited by examiner

*Primary Examiner*—Prabhakar Deshmukh

*Assistant Examiner*—Derrick Holland

(74) *Attorney, Agent, or Firm*—Duane Morris LLP; Steven E. Koffs

(57) **CLAIM**

The ornamental design for a DC booster, as shown and described.

**DESCRIPTION**

FIG. 1 is a perspective view of a DC booster showing my new design;

FIG. 2 is a top plan view thereof;

FIG. 3 is a front elevation view thereof;

FIG. 4 is an enlarged left side elevation view thereof;

FIG. 5 is an enlarged right side elevation view thereof;

FIG. 6 is a bottom plan view thereof;

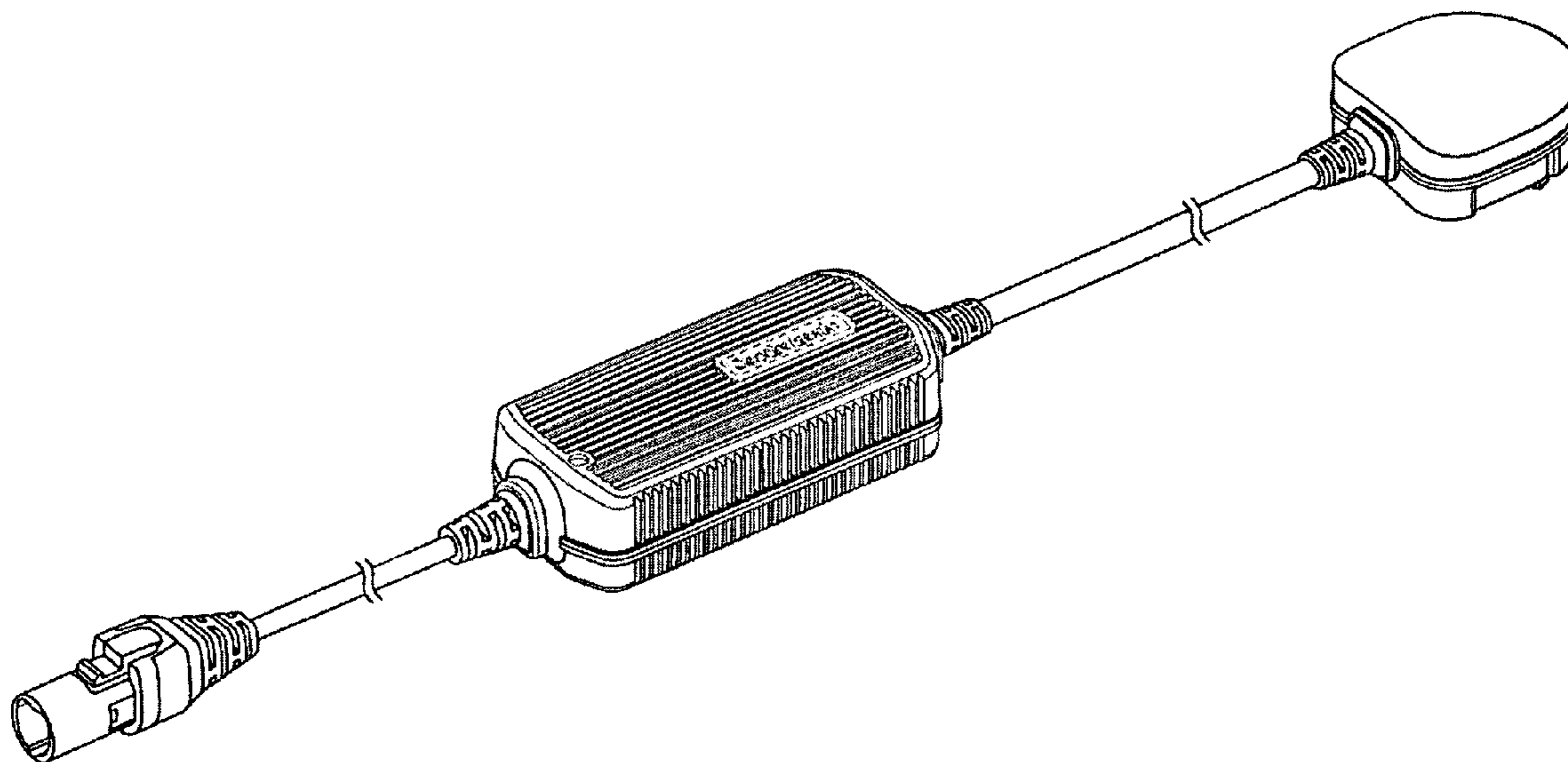
FIG. 7 is a back elevation view thereof; and,

FIG. 8 is a bottom perspective view thereof.

It is understood that the broken cables show an undetermined length

The broken lines showing are for illustrative purposes and form no part of the claimed design.

**1 Claim, 8 Drawing Sheets**



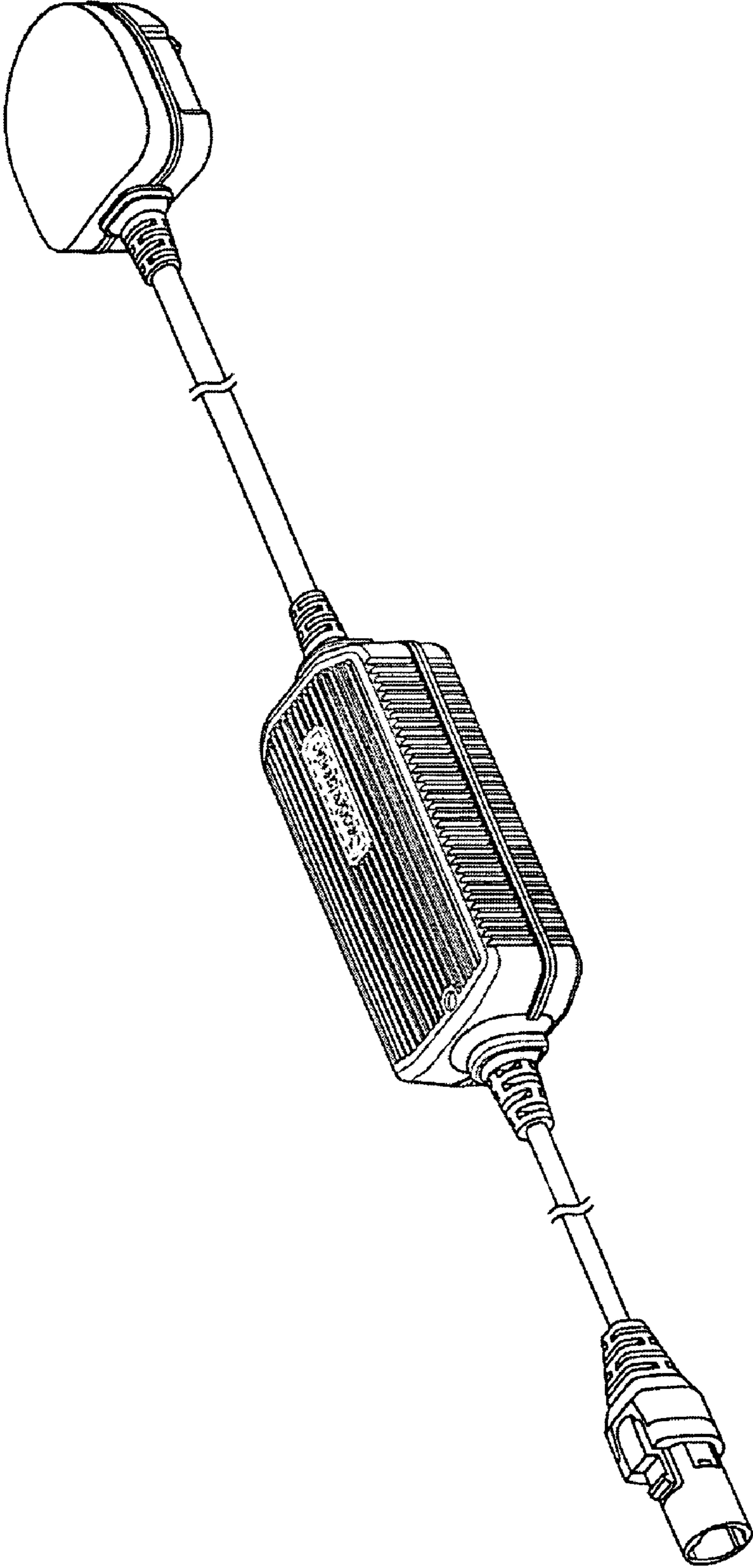


FIG. 1

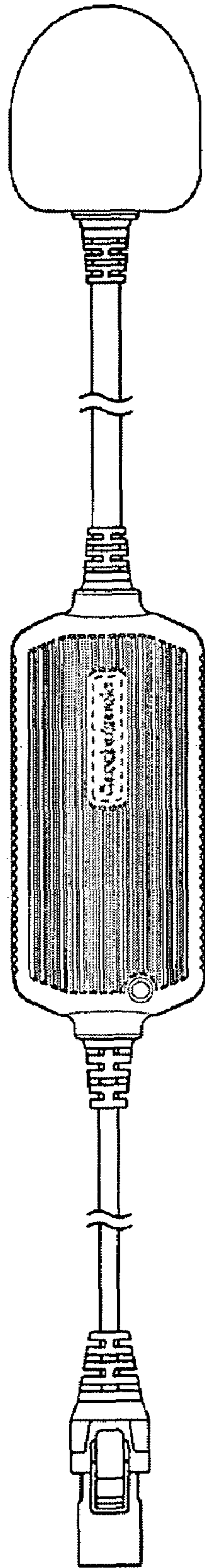


FIG. 2

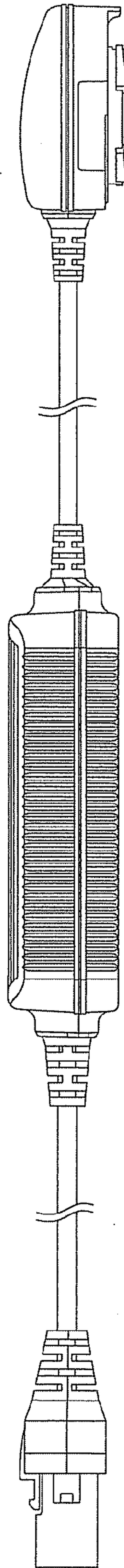


FIG. 3

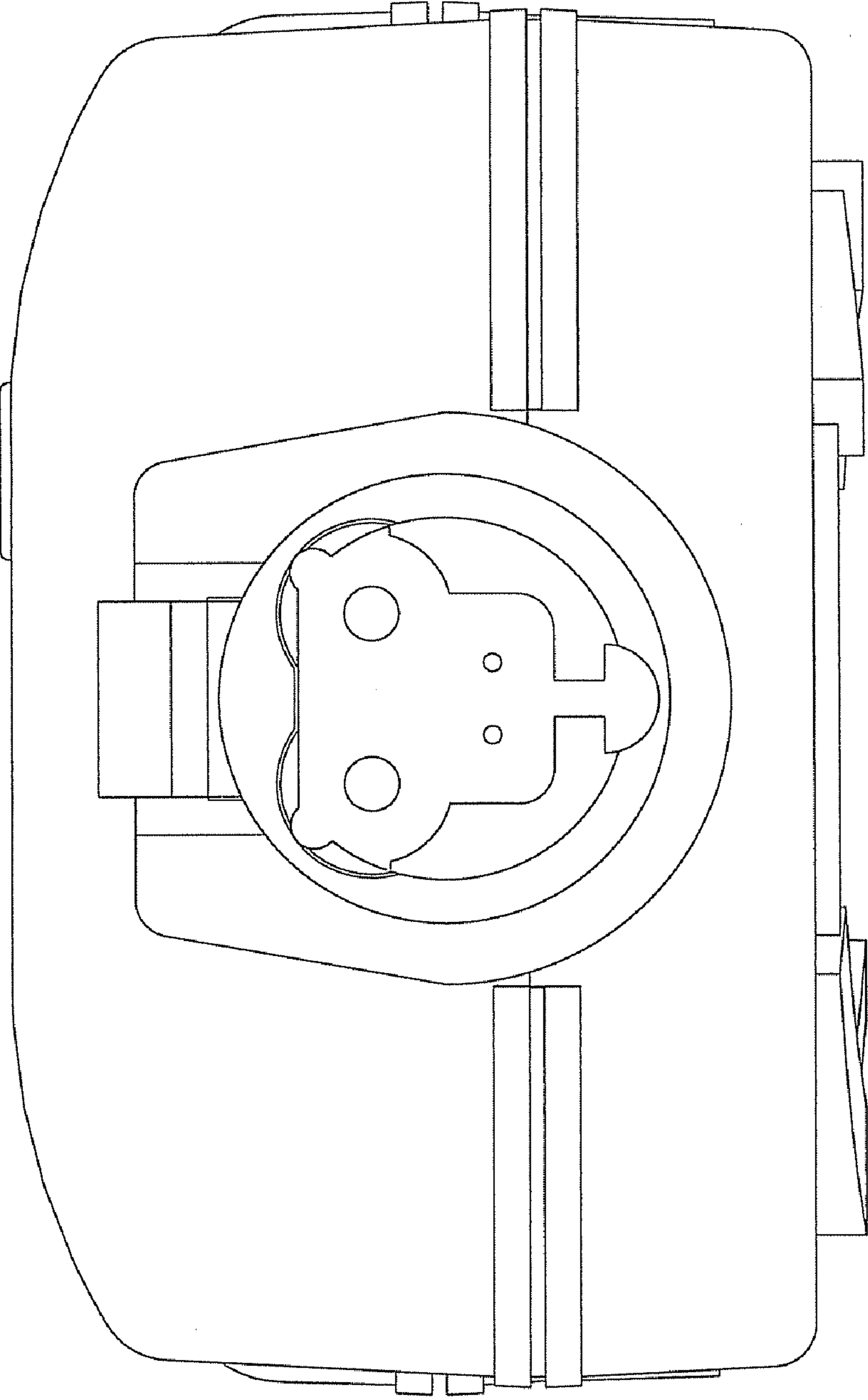


FIG. 4



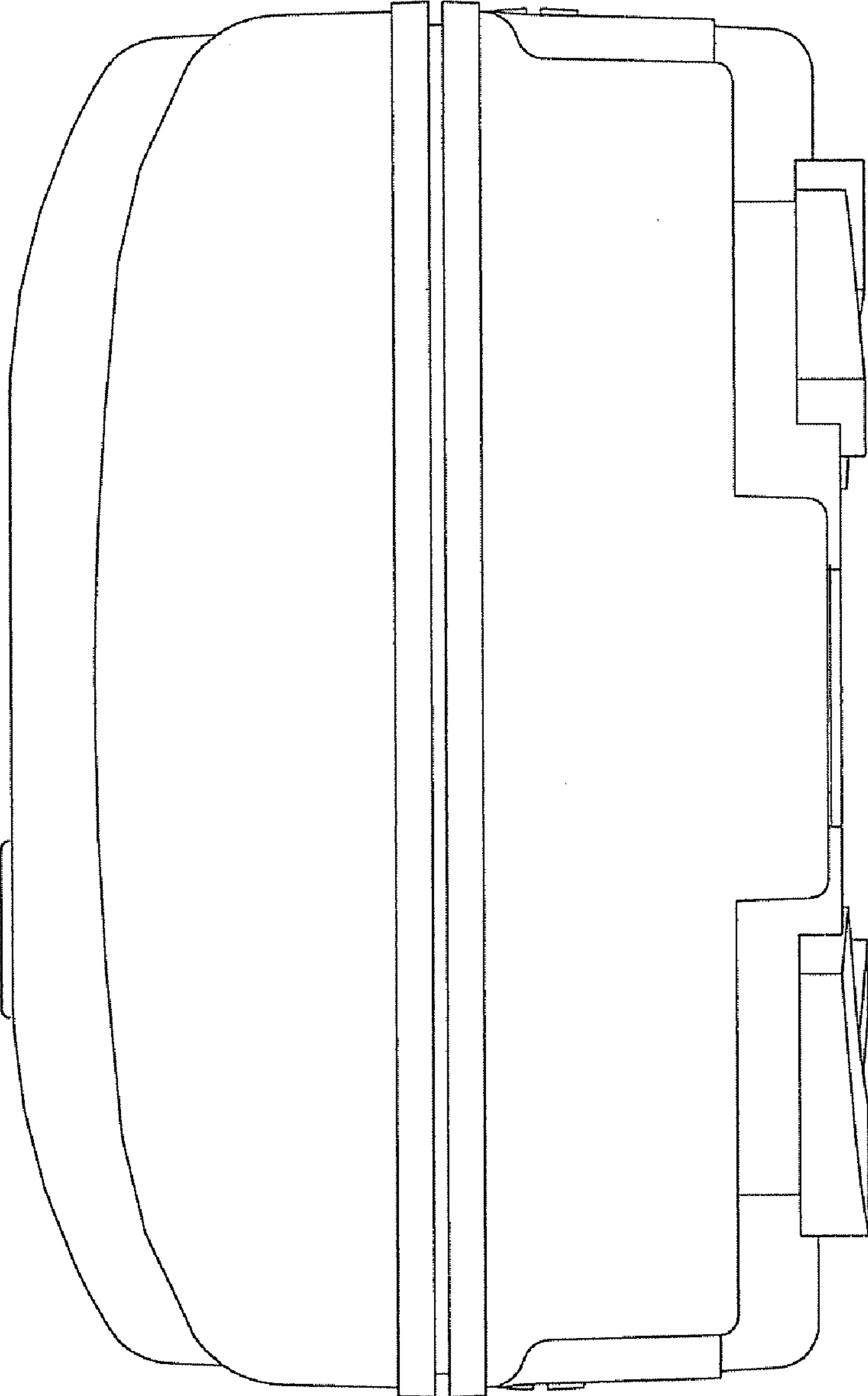


FIG. 5

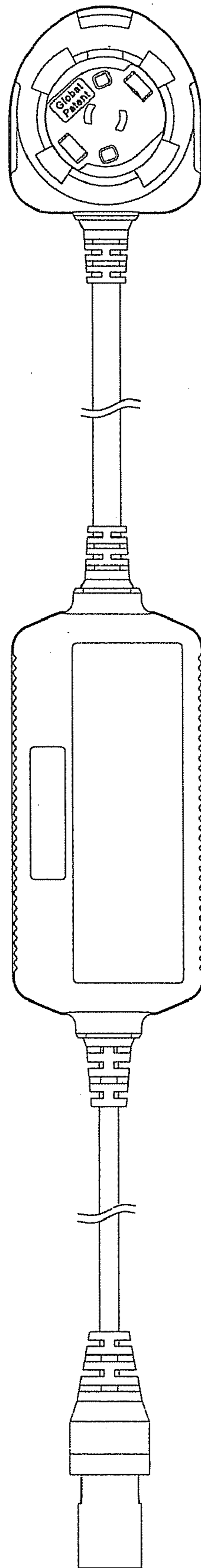


FIG. 6

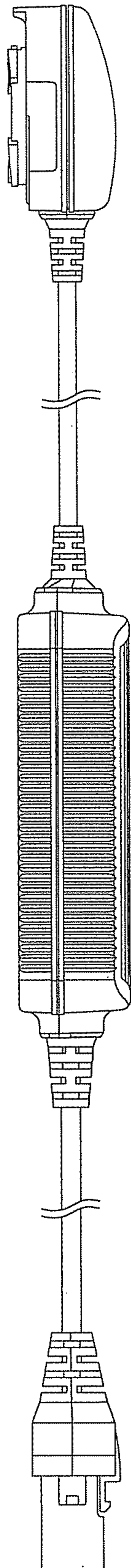


FIG. 7



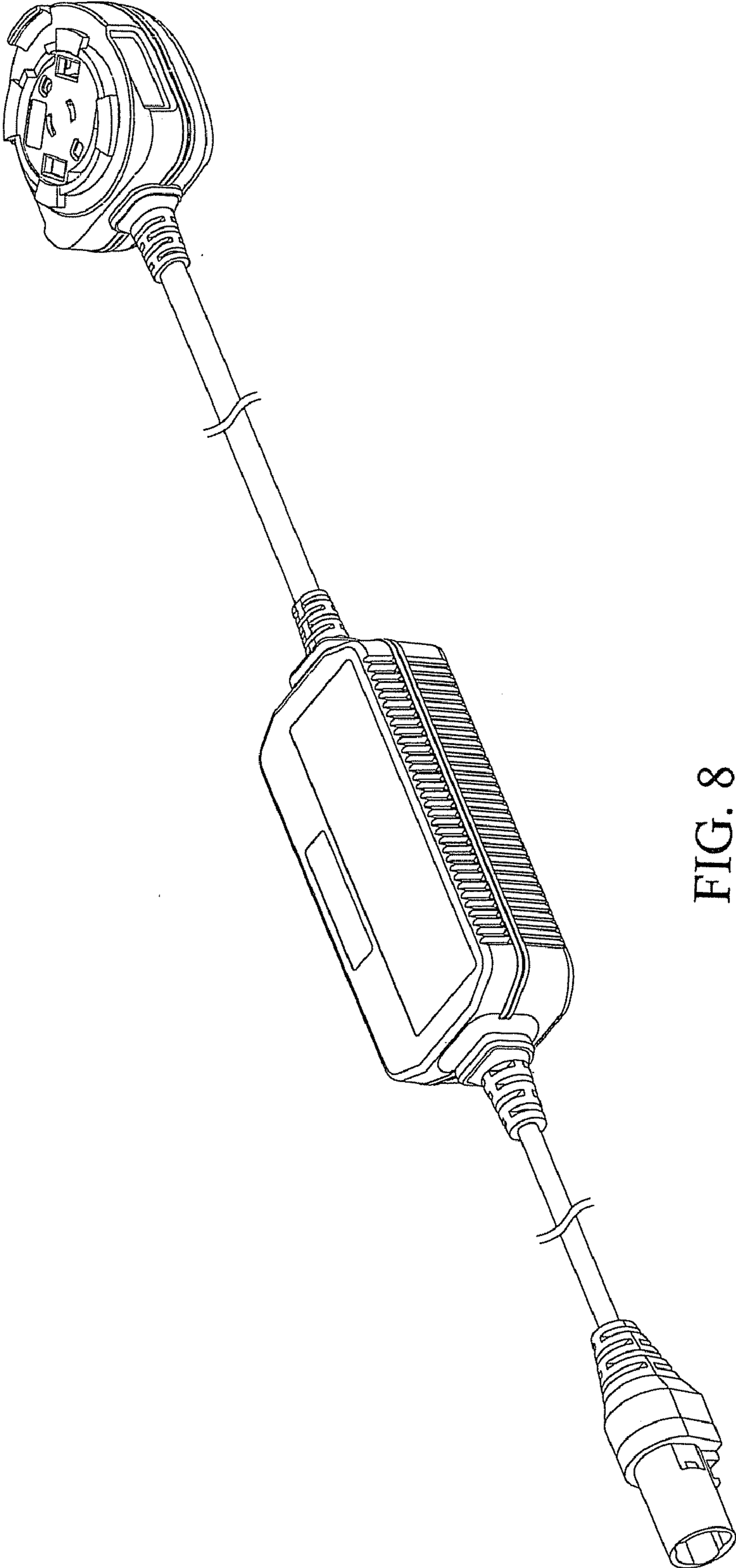


FIG. 8