



US00D575227S

(12) **United States Design Patent**  
**So**

(10) **Patent No.:** **US D575,227 S**

(45) **Date of Patent:** **\*\* Aug. 19, 2008**

(54) **POWER ADAPTER/CHARGER**

(75) Inventor: **Kam Wah So**, Shaukiwan (HK)

(73) Assignee: **Combotronic Limited**, Shaukiwan (HK)

(\*\*) Term: **14 Years**

(21) Appl. No.: **29/299,637**

(22) Filed: **Dec. 31, 2007**

(51) **LOC (8) Cl.** ..... **13-02**

(52) **U.S. Cl.** ..... **D13/110**

(58) **Field of Classification Search** ..... D13/110,  
D13/123, 147, 199; 361/686; 363/146; 439/623,  
439/639, 640

See application file for complete search history.

(56) **References Cited**

**U.S. PATENT DOCUMENTS**

5,117,479	A *	5/1992	Erdman et al.	.....	385/136
5,547,399	A *	8/1996	Naghi et al.	.....	439/623
D383,115	S *	9/1997	Nagele et al.	.....	D13/110
D449,030	S *	10/2001	Baxter et al.	.....	D13/110
D453,320	S *	2/2002	Sugino	.....	D13/147
D456,008	S *	4/2002	Kawanobe et al.	.....	D13/110
D474,739	S *	5/2003	Chang	.....	D13/110

\* cited by examiner

*Primary Examiner*—Prabhakar Deshmukh

*Assistant Examiner*—Derrick Holland

(74) *Attorney, Agent, or Firm*—Duane Morris LLP; Steven E. Koffs

(57) **CLAIM**

The ornamental design for a power adapter/charger, as shown and described.

**DESCRIPTION**

FIG. 1 is a perspective view of a power adapter/charger showing my new design;

FIG. 2 is a top plan view thereof;

FIG. 3 is a front elevation view thereof;

FIG. 4 is an enlarged left side elevation view thereof;

FIG. 5 is an enlarged right side elevation view thereof;

FIG. 6 is a bottom plan view thereof;

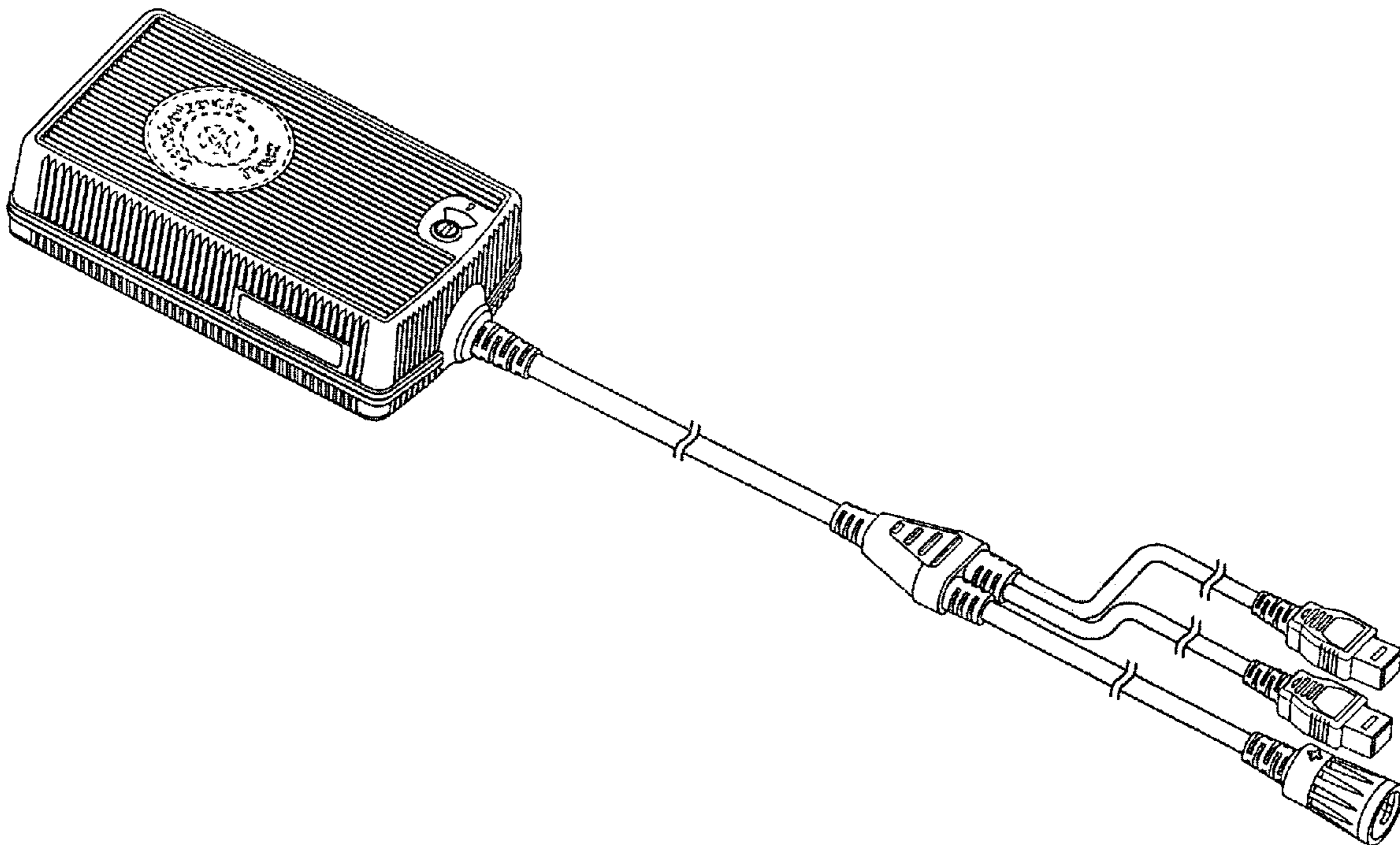
FIG. 7 is a back elevation view thereof; and,

FIG. 8 is a bottom perspective view thereof.

It is understood that cables show indeterminate length.

The broken lines showing are for illustrative purposes and form no part of the claimed design.

**1 Claim, 8 Drawing Sheets**



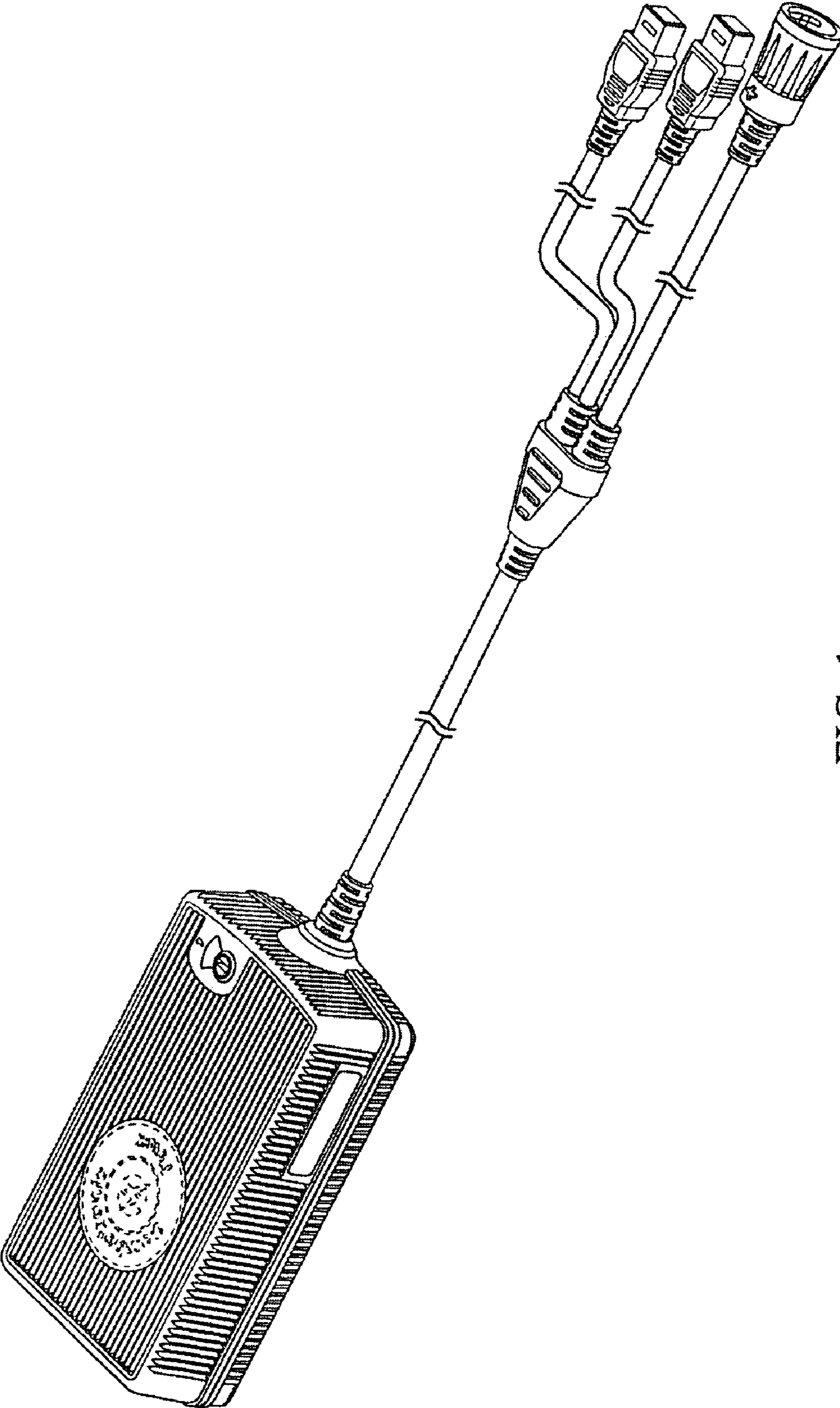


FIG. 1

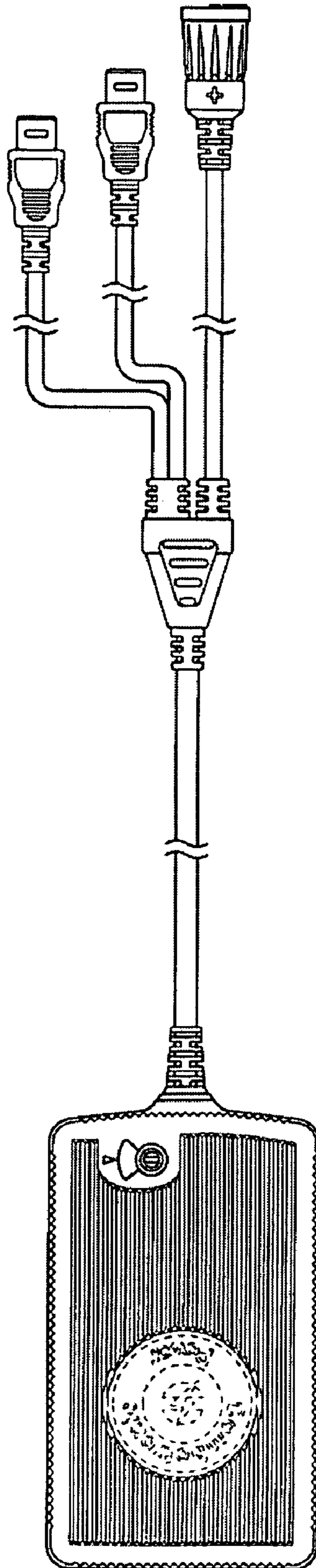


FIG. 2

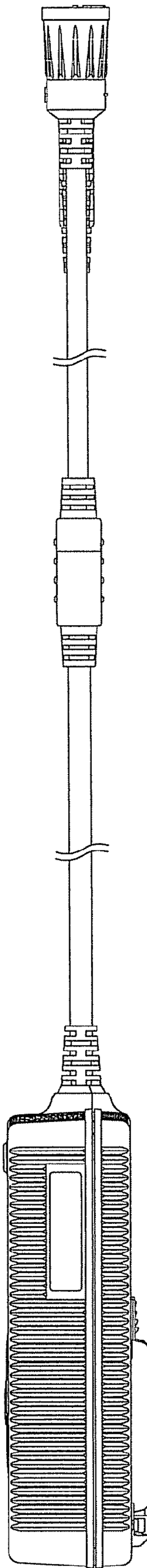


FIG. 3



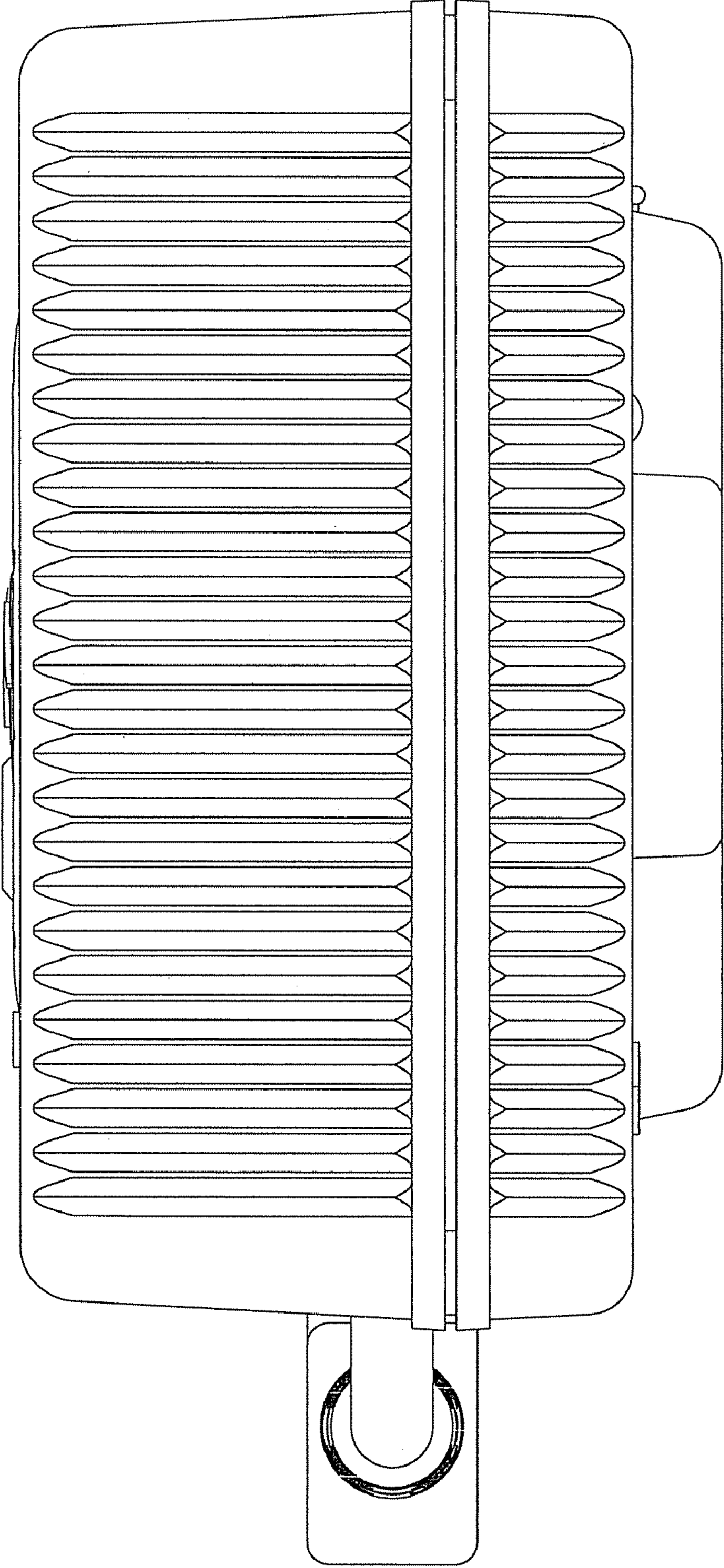


FIG. 4

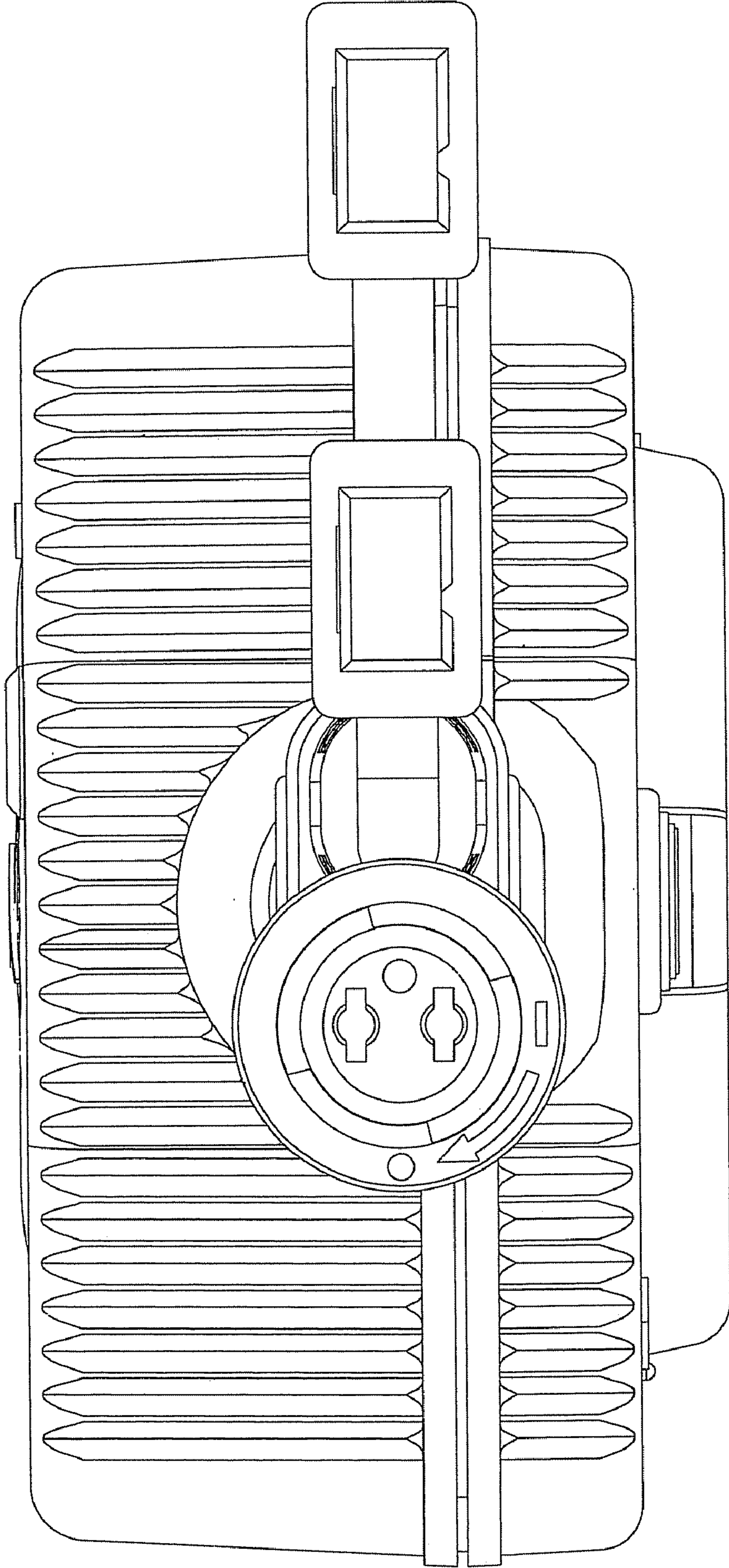


FIG. 5

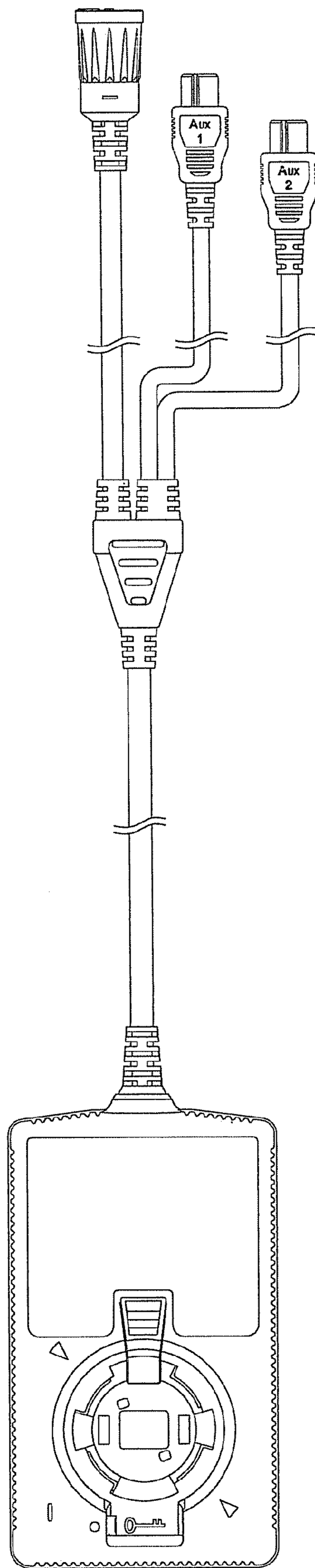


FIG. 6

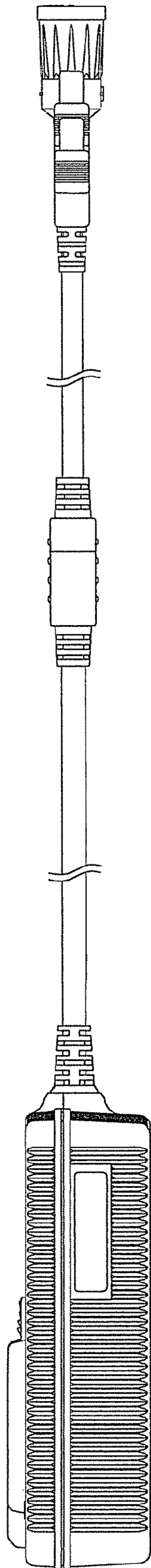


FIG. 7



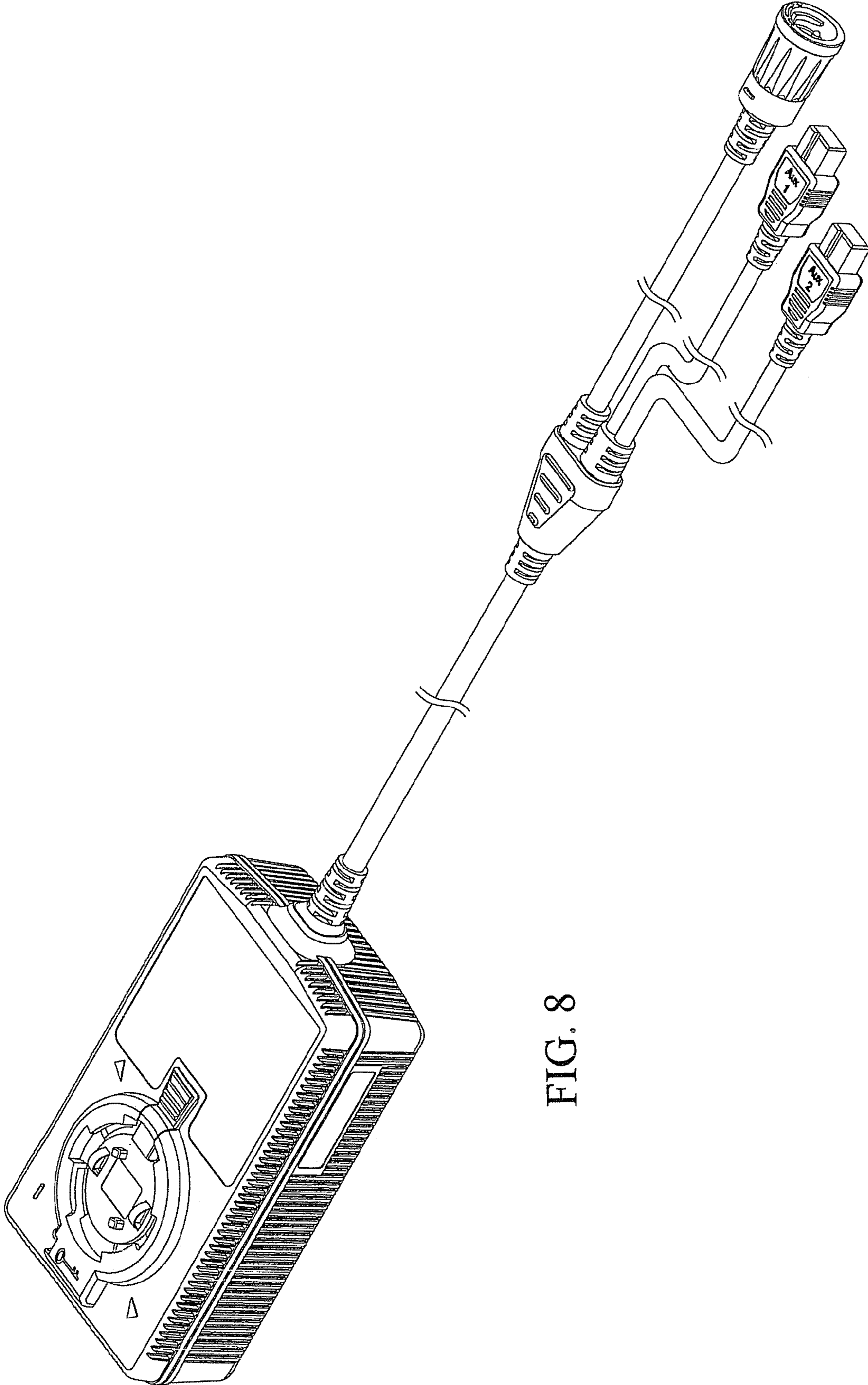


FIG. 8