



US00D575226S

(12) **United States Design Patent**
Bart

(10) **Patent No.:** **US D575,226 S**
(45) **Date of Patent:** **** Aug. 19, 2008**

(54) **FOLDABLE POWER ADAPTER AND STAND**

(57) **CLAIM**

(75) Inventor: **Gary F. Bart**, Miramar, FL (US)

The ornamental design for a foldable power adapter and stand, as shown and described.

(73) Assignee: **Imation Corp.**, Oakdale, MN (US)

(**) Term: **14 Years**

DESCRIPTION

(21) Appl. No.: **29/283,479**

FIG. 1 is a front perspective view of the foldable power adapter and stand showing my new design;

(22) Filed: **Aug. 15, 2007**

FIG. 2 is a front elevational view of the foldable power adapter and stand of FIG. 1;

(51) **LOC (8) Cl.** **13-02**

FIG. 3 is a left elevational view of the foldable power adapter and stand of FIG. 1;

(52) **U.S. Cl.** **D13/110**

FIG. 4 is a rear elevational view of the foldable power adapter and stand of FIG. 1;

(58) **Field of Classification Search** D13/110,
D13/108, 123, 199; D14/496; 307/150;
320/115; 363/144, 146; 439/171-173, 347,
439/668

FIG. 5 is a right elevational view of the foldable power adapter and stand of FIG. 1;

See application file for complete search history.

FIG. 6 is a top plan view of the foldable power adapter and stand of FIG. 1;

(56) **References Cited**

FIG. 7 is a bottom plan view of the foldable power adapter and stand of FIG. 1;

U.S. PATENT DOCUMENTS

5,019,767	A *	5/1991	Shirai et al.	320/112
5,480,319	A *	1/1996	Vlakancic	439/347
D383,115	S *	9/1997	Nagele et al.	D13/110
D386,473	S *	11/1997	England et al.	D13/147
D408,784	S *	4/1999	Maeyama	D13/110
D433,381	S *	11/2000	Talesfore	D13/123
D436,919	S *	1/2001	Wakefield et al.	D13/110
D467,592	S *	12/2002	Hussaini et al.	D14/496
D484,853	S *	1/2004	Alviar	D13/110

FIG. 8 is a front perspective view of the foldable power adapter and stand of FIG. 1 shown in use and in open condition;

* cited by examiner

FIG. 9 is a front elevational view of the foldable power adapter and stand of FIG. 8;

Primary Examiner—Prabhakar Deshmukh

FIG. 10 is a left elevational view of the foldable power adapter and stand of FIG. 8;

Assistant Examiner—Derrick Holland

FIG. 11 is a rear elevational view of the foldable power adapter and stand of FIG. 8;

(74) *Attorney, Agent, or Firm*—Husch Blackwell Sanders LLP

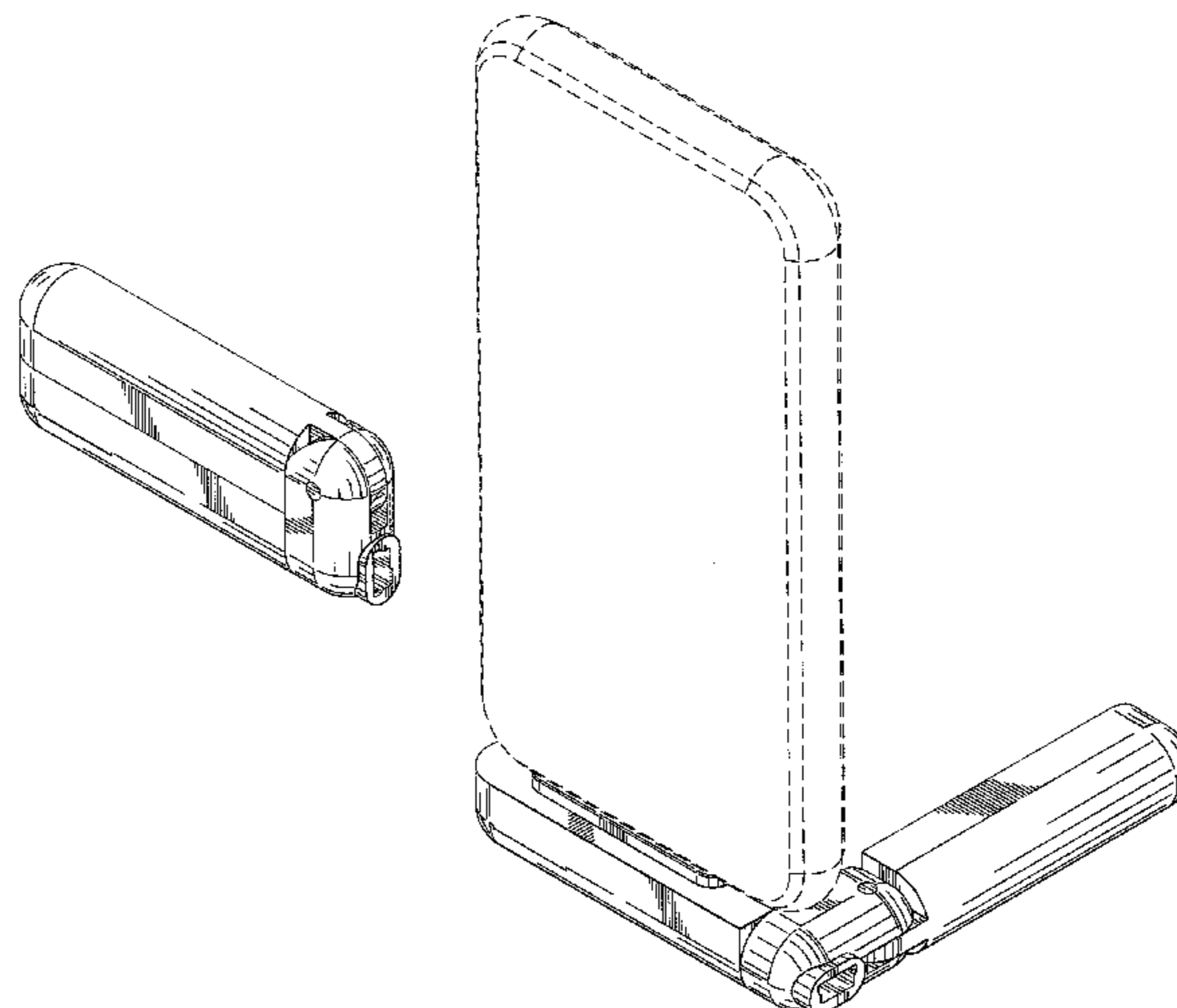
FIG. 12 is a right elevational view of the foldable power adapter and stand of FIG. 8;

FIG. 13 is a top plan view of the foldable power adapter and stand of FIG. 8; and,

FIG. 14 is a bottom plan view of the foldable power adapter and stand of FIG. 8.

The broken lines showing a portable media player are for illustrative purposes and form no part of the claimed design.

1 Claim, 9 Drawing Sheets



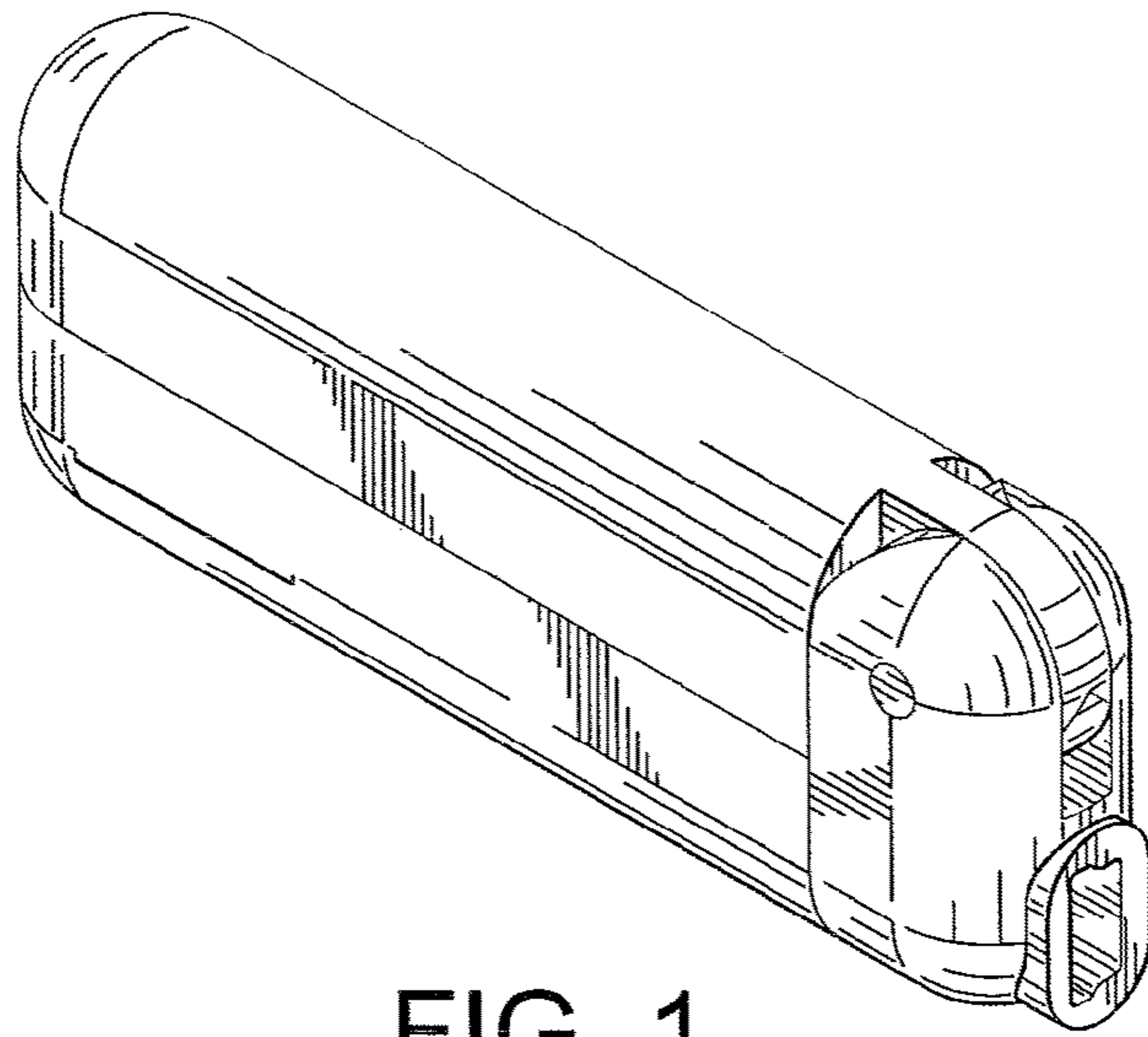


FIG. 1

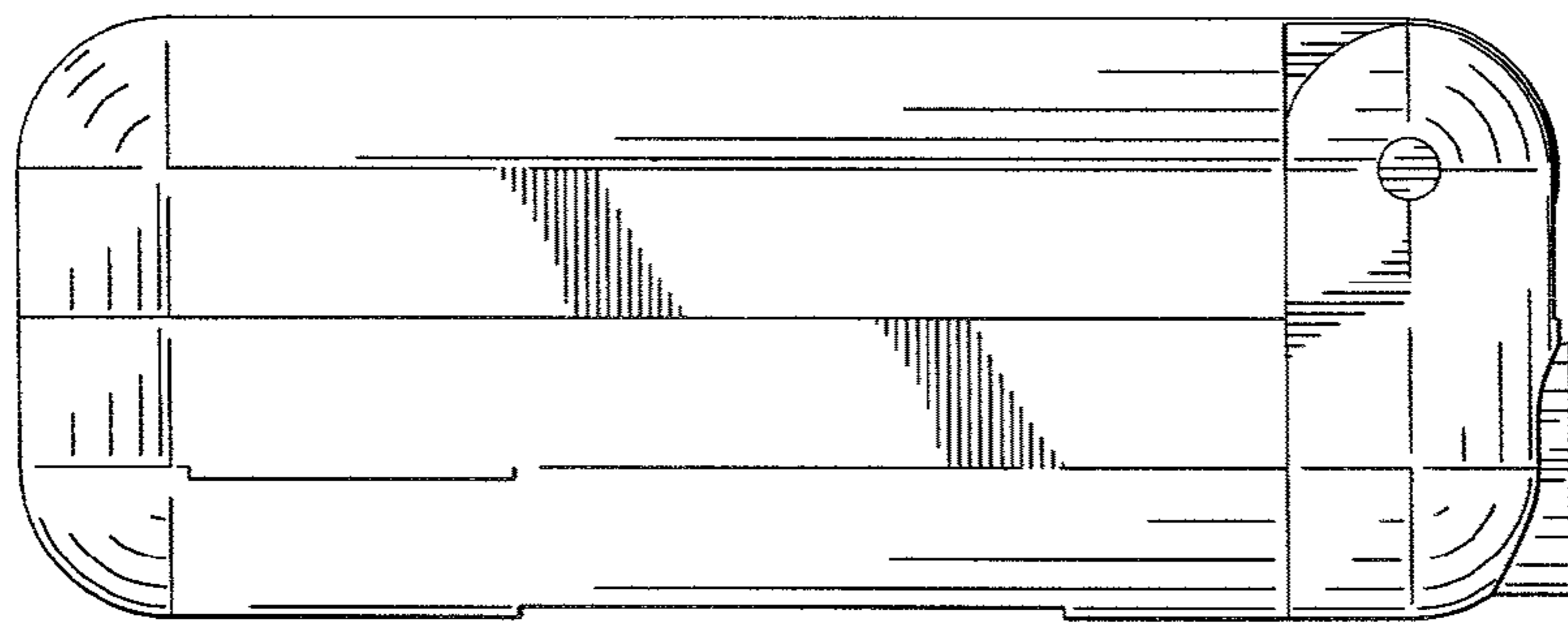


FIG. 2

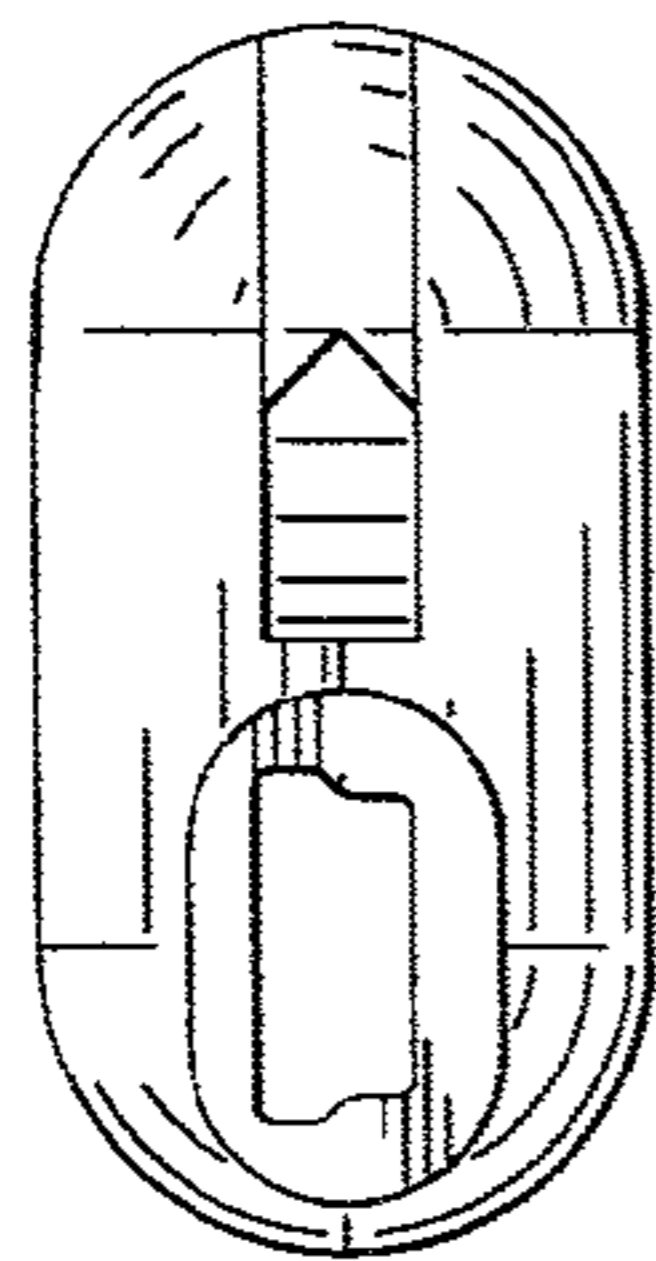


FIG. 3

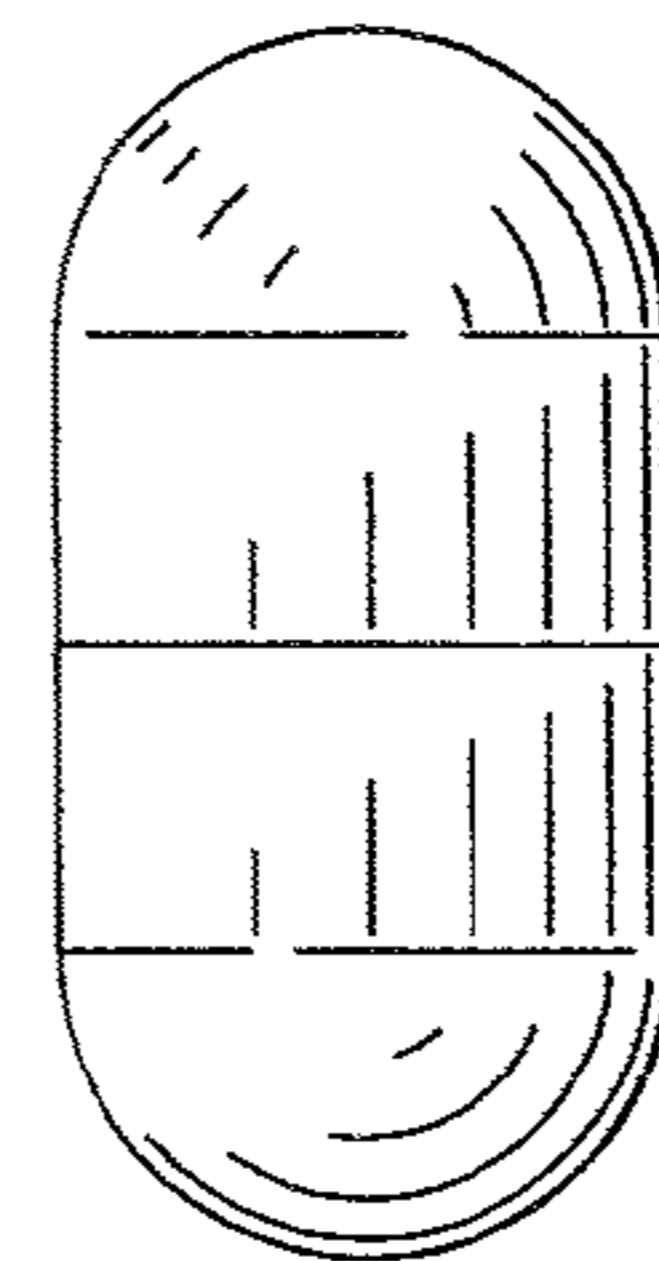


FIG. 5

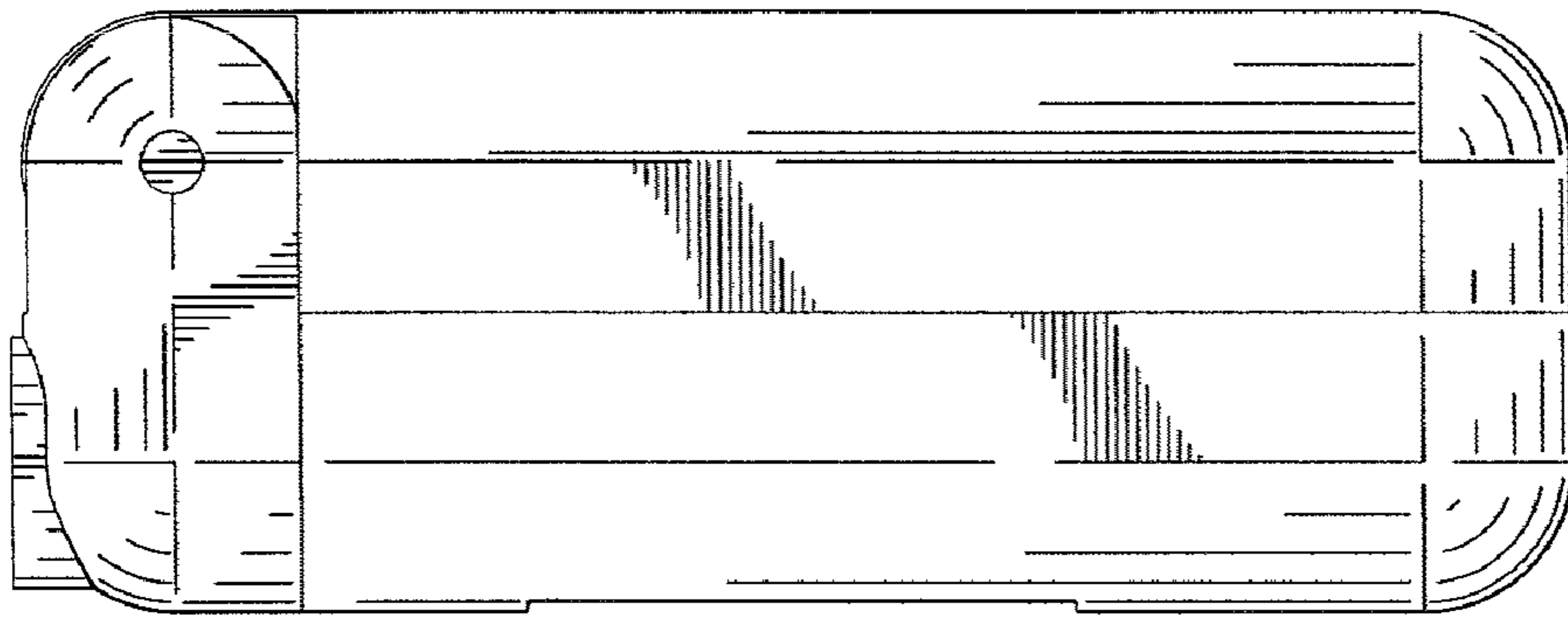


FIG. 4

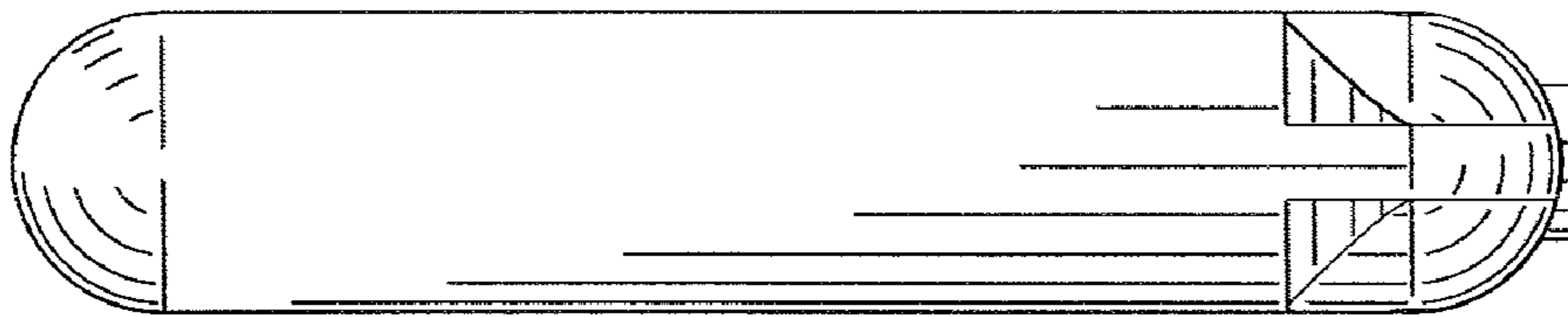


FIG. 6

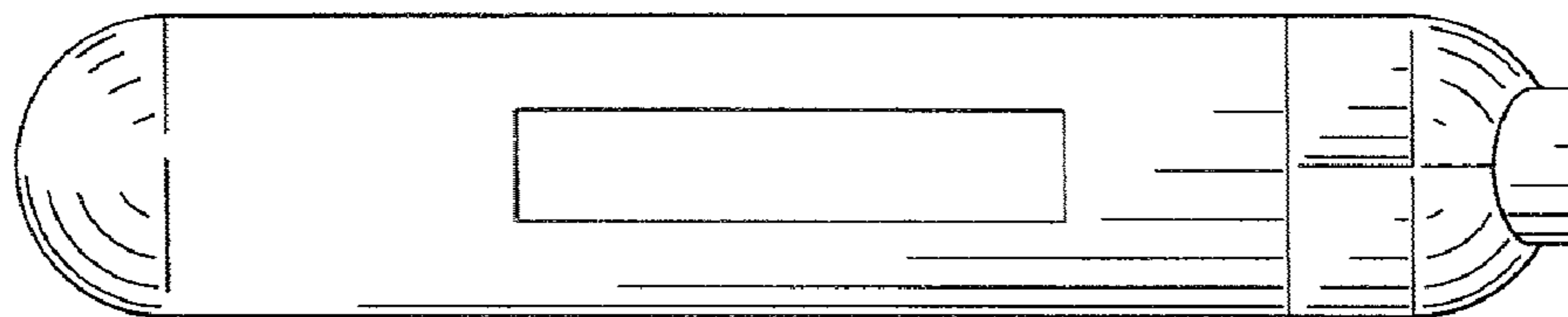


FIG. 7

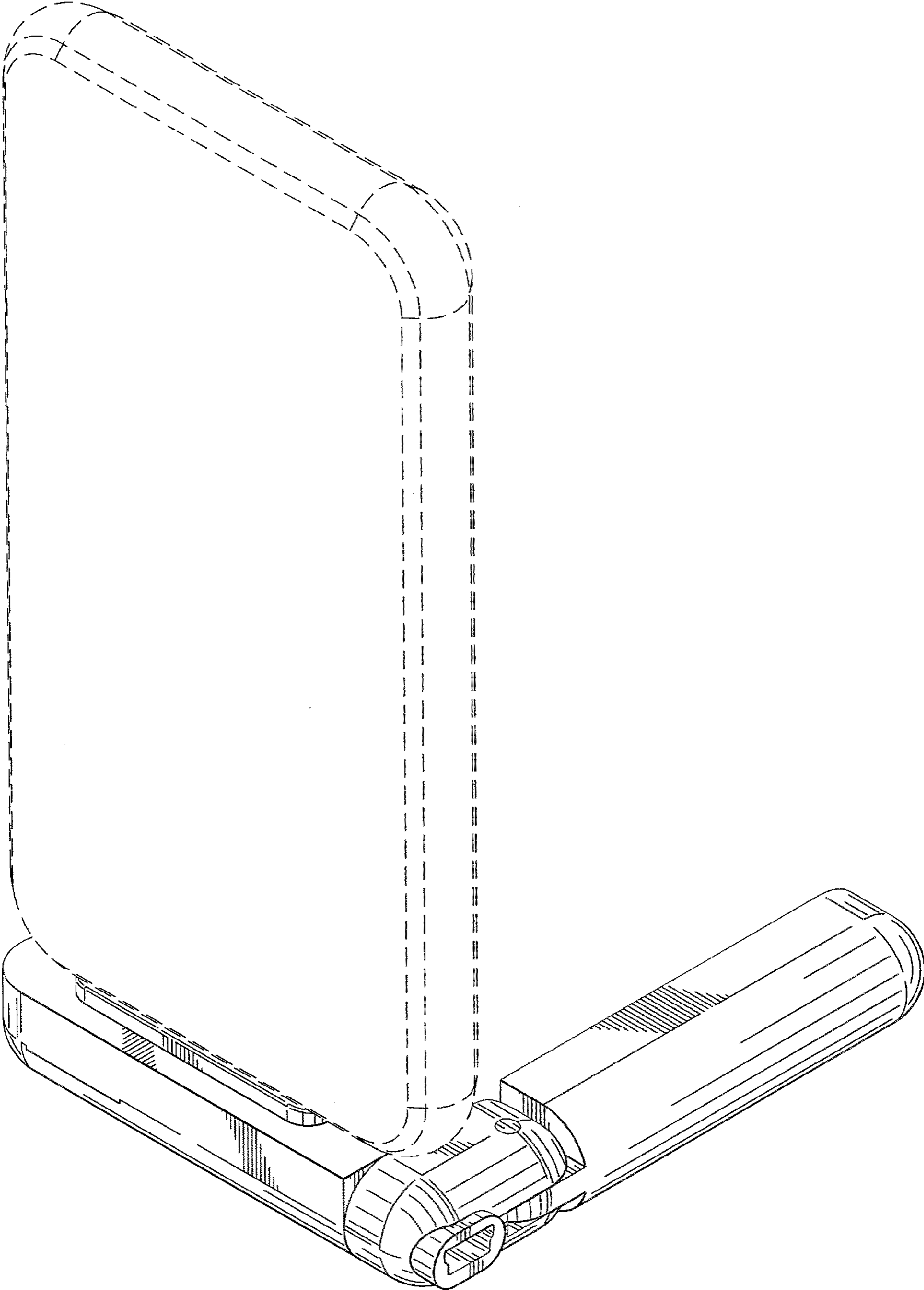


FIG. 8

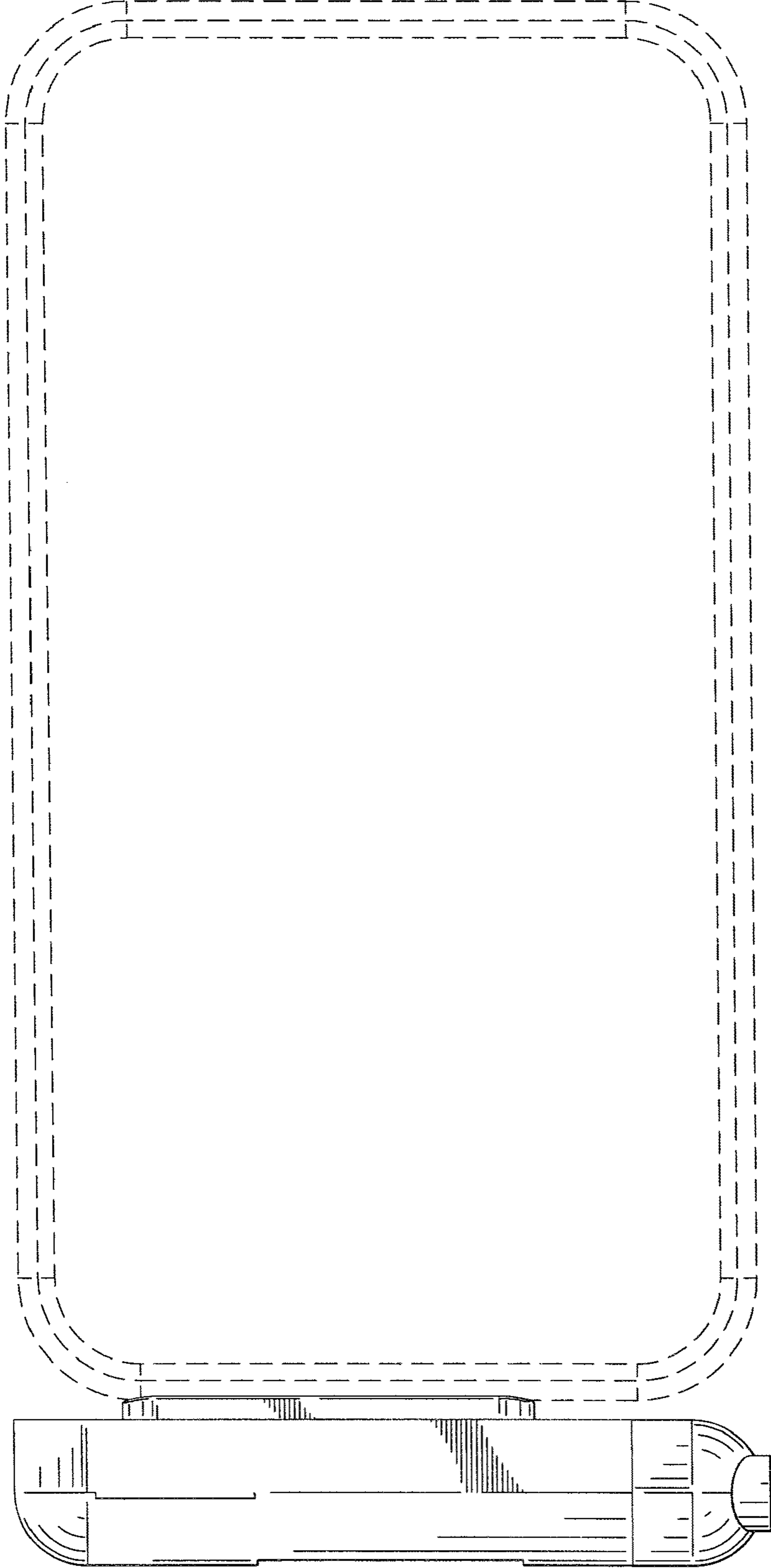


FIG. 9



FIG. 10

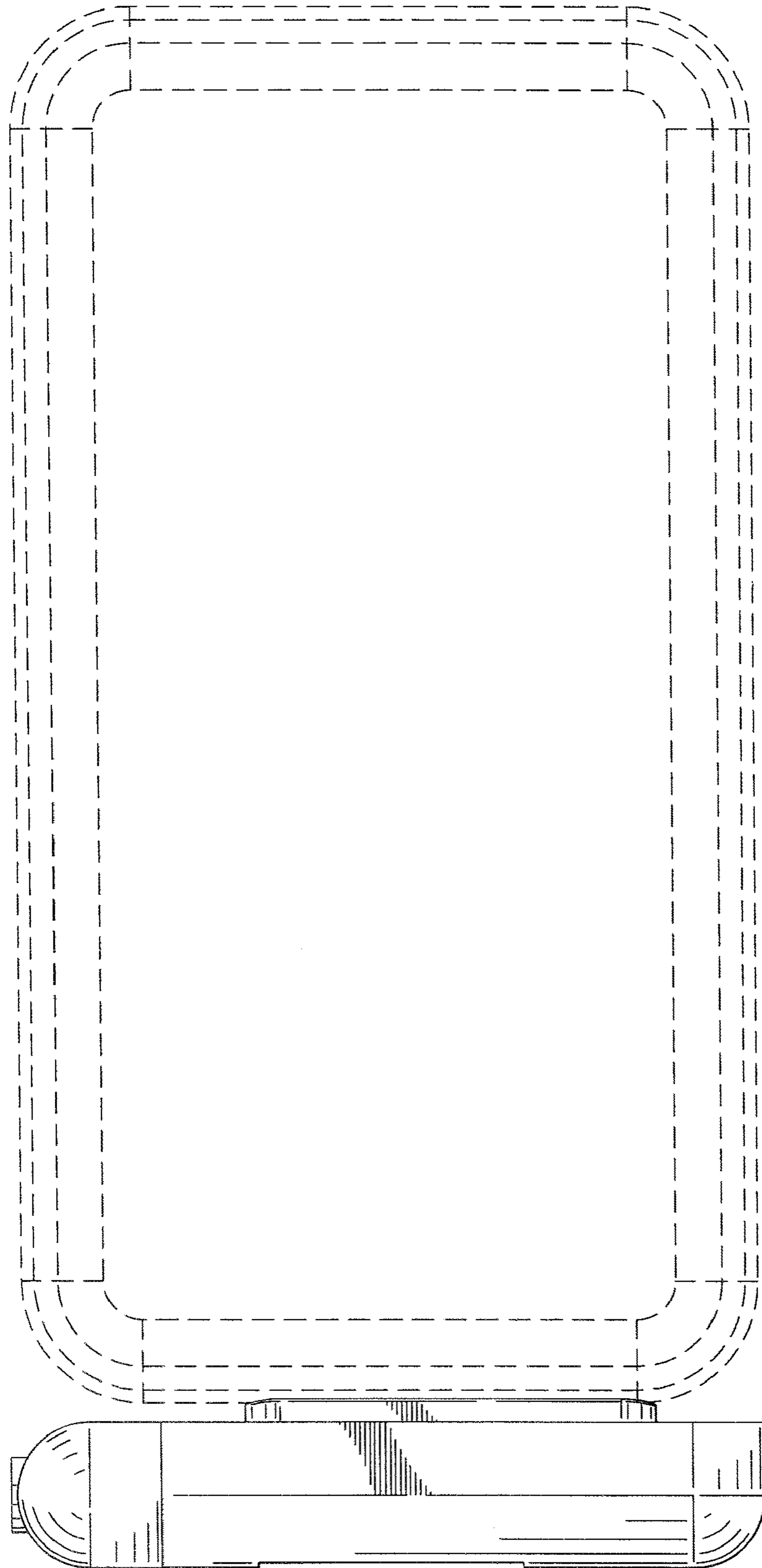


FIG. 11

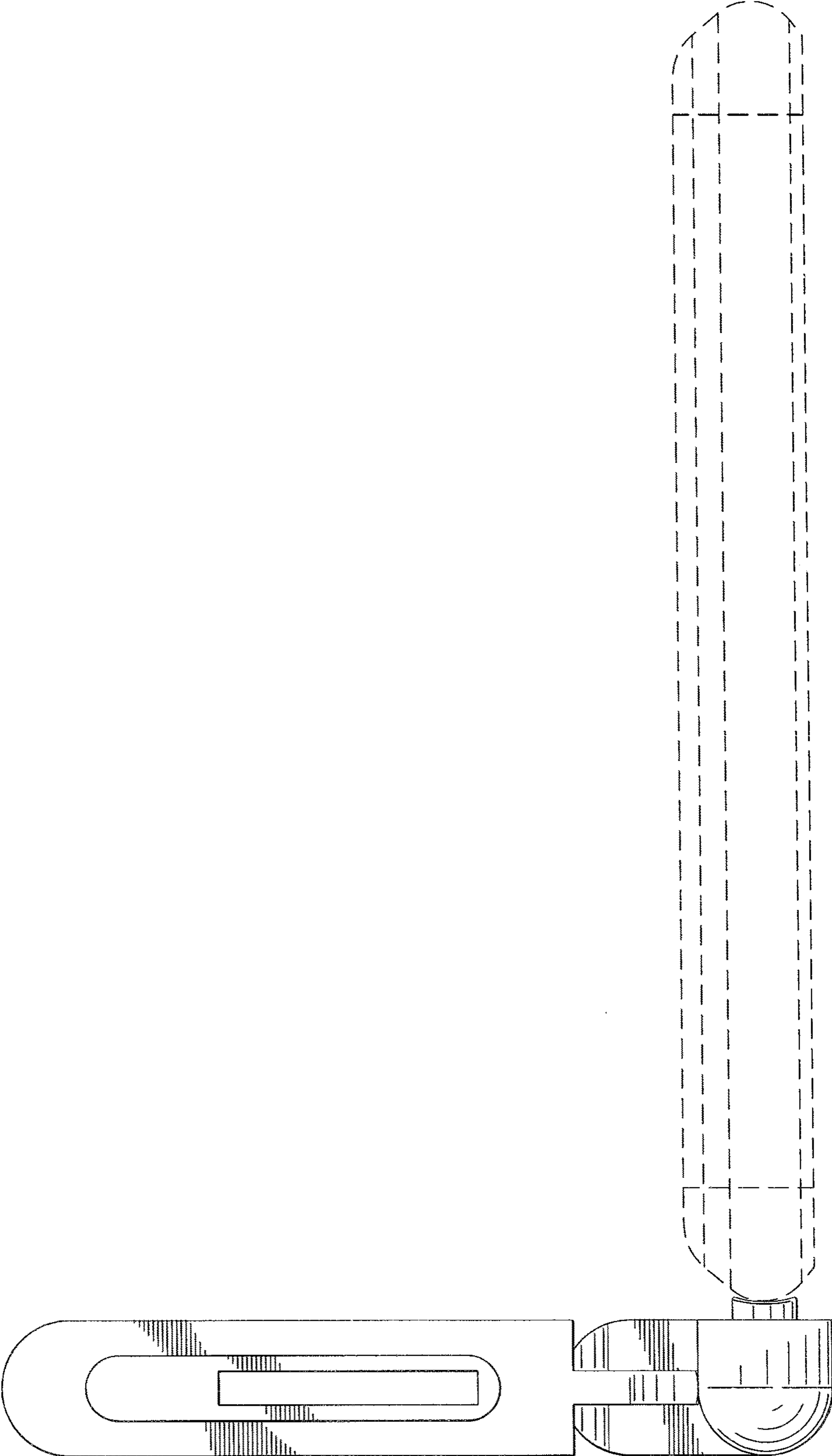


FIG. 12

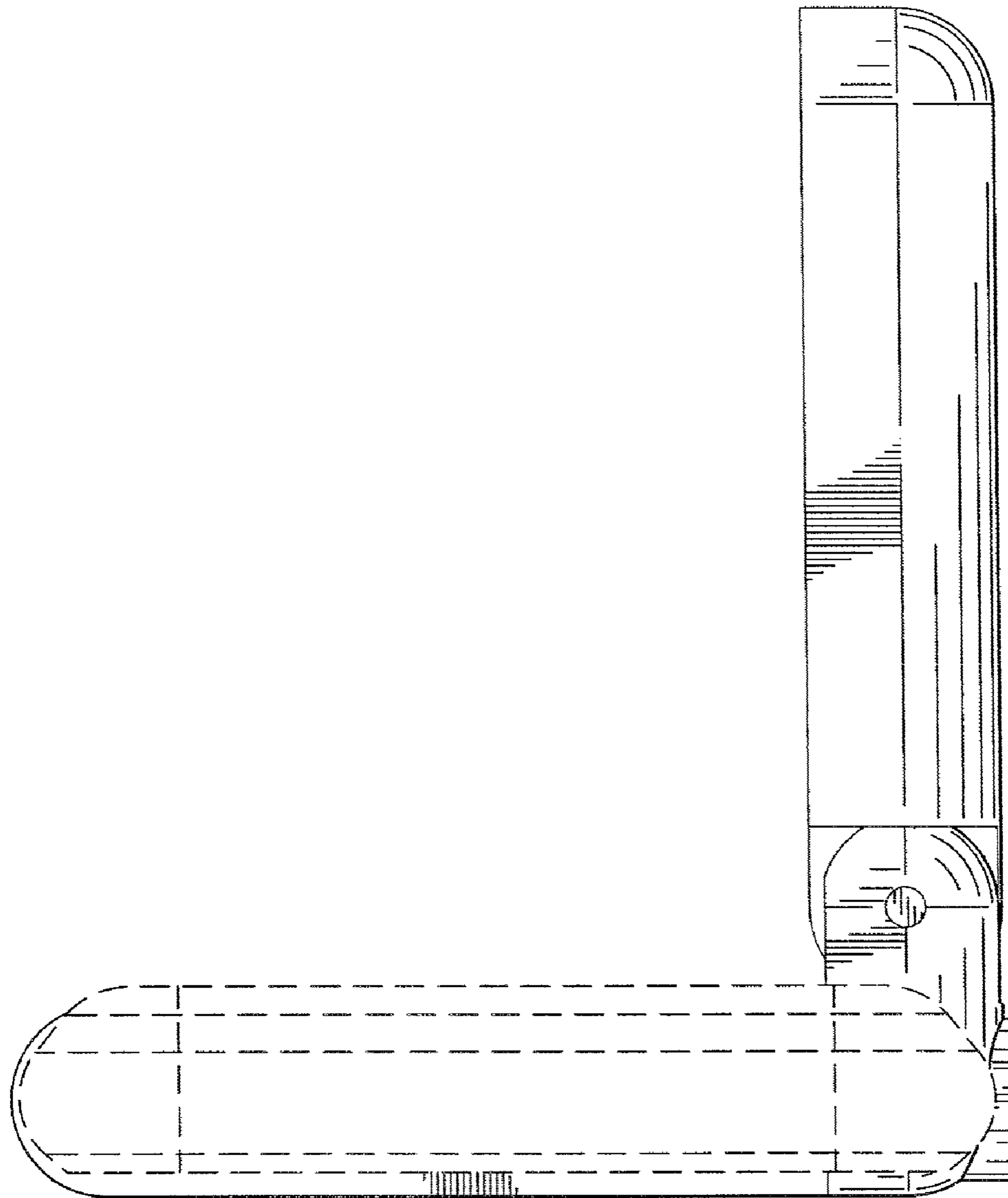


FIG. 13

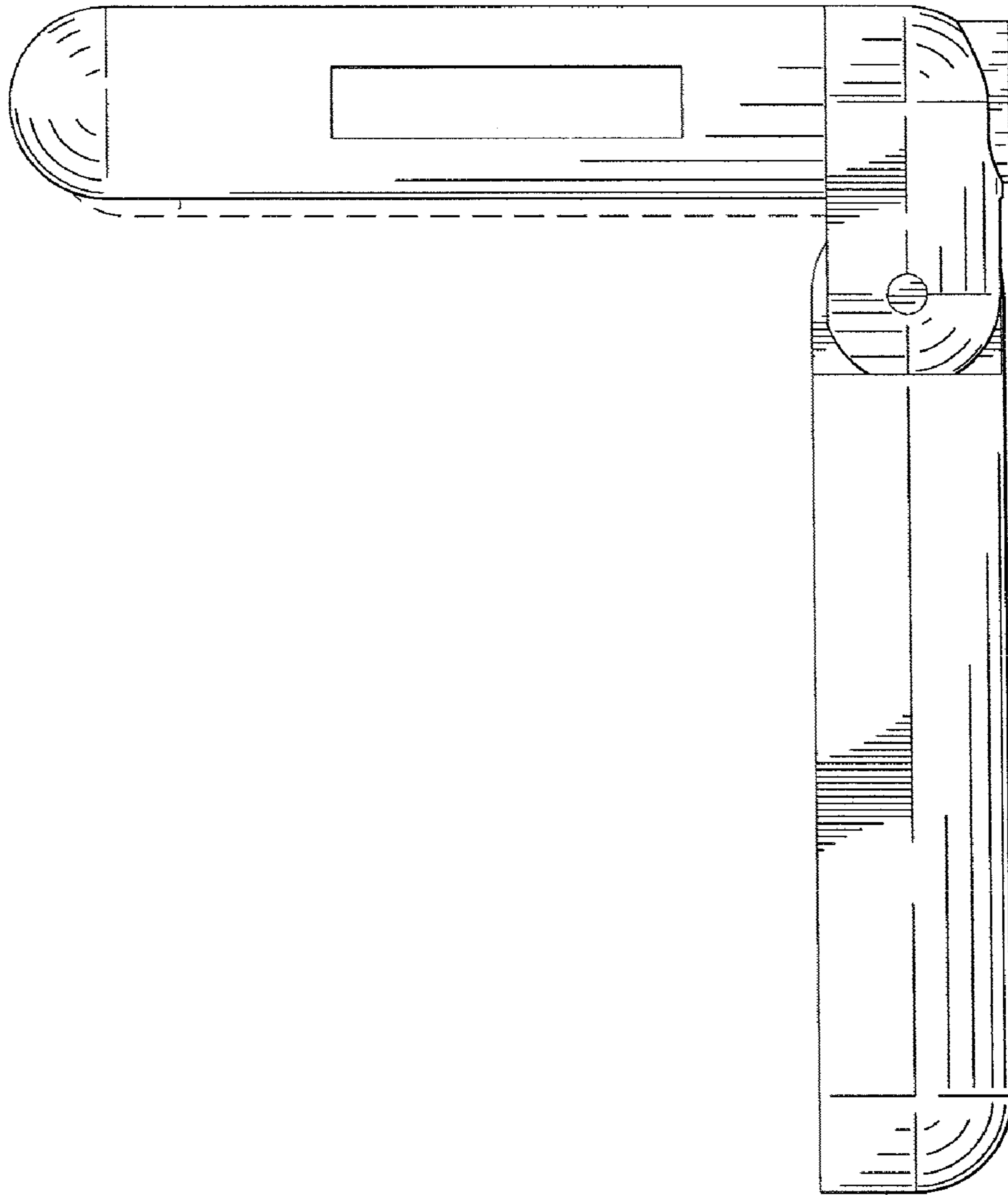


FIG. 14