



US00D575220S

(12) **United States Design Patent**
Pockalny

(10) **Patent No.:** **US D575,220 S**

(45) **Date of Patent:** **** Aug. 19, 2008**

(54) **MUSIC SYSTEM MOUNTING BRACKET FOR A MOTORCYCLE**

2007/0176064 A1* 8/2007 Lacy 248/205.3

* cited by examiner

(76) Inventor: **Joseph Victor Pockalny**, 3392
Creighton Pl., Santa Clara, CA (US)
95051

Primary Examiner—T. Chase Nelson
Assistant Examiner—Sheryl Friedman
(74) *Attorney, Agent, or Firm*—Knox Patents; Thomas A.
Kulaga

(**) Term: **14 Years**

(21) Appl. No.: **29/271,205**

(57) **CLAIM**

(22) Filed: **Jan. 12, 2007**

The ornamental design for a music system mounting bracket for a motorcycle, as shown and described.

(51) **LOC (8) Cl.** **12-06**

(52) **U.S. Cl.** **D12/223; D8/354**

(58) **Field of Classification Search** D12/223;
248/688, 637, 121, 200, 201, 205.5, 229.11,
248/346.03; D8/354

See application file for complete search history.

DESCRIPTION

“The Cowboy” is a quick mount for speaker systems which enables you to play your mp3 /ipod player while you ride or while the motorcycle is stationary. Its attached to the handle bars or tank, fairing with two or three tie wraps and tie anchors. It is very user friendly, and it easily removed by sliding the player out and then sliding the player in so when going in a store it can not be stolen. Ideal speaker system is the GPX mini speaker system for the mp3/ipod players that run on 4 AA batteries. However, the 4 triple AAA speaker system works as well. Its is very pleasing to the eye when mounted.

FIG. 1 is a perspective rear view of the music system mounting bracket showing the top, rear and the right side;

FIG. 2 is a rear perspective view thereof showing the top and rear;

FIG. 3 is a top perspective view thereof showing the top, the front, and the right side;

FIG. 4 is a front perspective view thereof;

FIG. 5 is a bottom view thereof; and,

FIG. 6 is a rear plan view thereof.

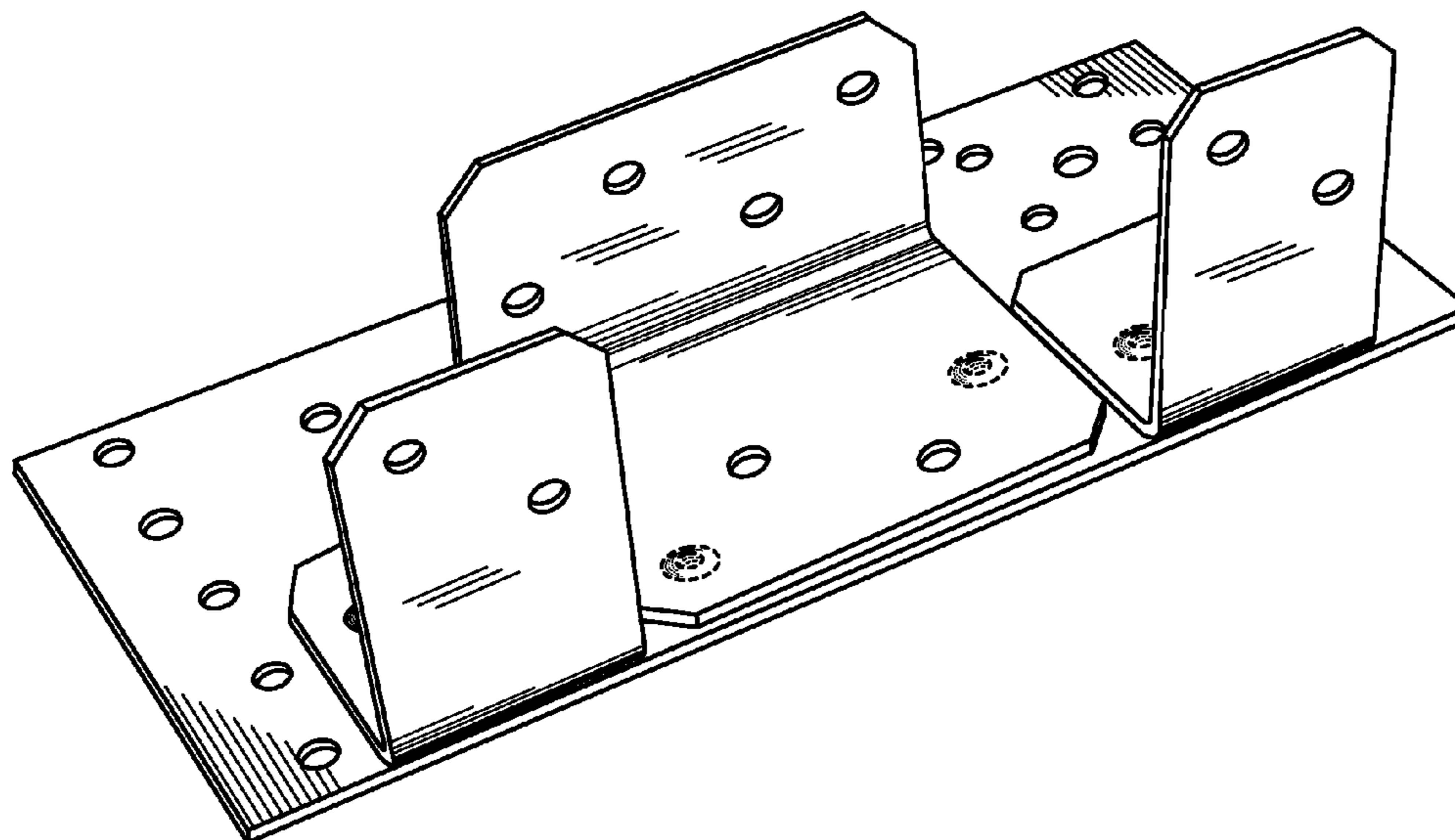
The broken lines are for illustrative purposes only and form no part of the claimed design.

(56) **References Cited**

U.S. PATENT DOCUMENTS

2,109,315	A *	2/1938	Harley	224/413
2,588,671	A *	3/1952	Tringali	224/454
3,193,232	A *	7/1965	Hatcher	248/231.81
D244,748	S *	6/1977	Canterbury	D8/380
D248,274	S *	6/1978	Kingston et al.	D8/354
4,436,350	A *	3/1984	Jolin	312/7.1
D274,803	S *	7/1984	Hughes	D12/126
4,662,547	A *	5/1987	Villanueva et al.	224/418
4,756,454	A *	7/1988	Villanueva et al.	224/418
D306,133	S *	2/1990	Zupancic	D8/354
5,423,509	A *	6/1995	LaPorte et al.	248/311.2
D370,002	S *	5/1996	Miller	D12/223
D398,283	S *	9/1998	Miller	D12/223
D423,328	S *	4/2000	Burrows	D8/354
D434,639	S *	12/2000	Willett	D8/354
D440,910	S *	4/2001	Blackburn, Jr.	D12/114
6,390,429	B1 *	5/2002	Brincat	248/309.1
D539,208	S *	3/2007	Reimitz	D12/223
2004/0099781	A1 *	5/2004	Podue et al.	248/300

1 Claim, 3 Drawing Sheets



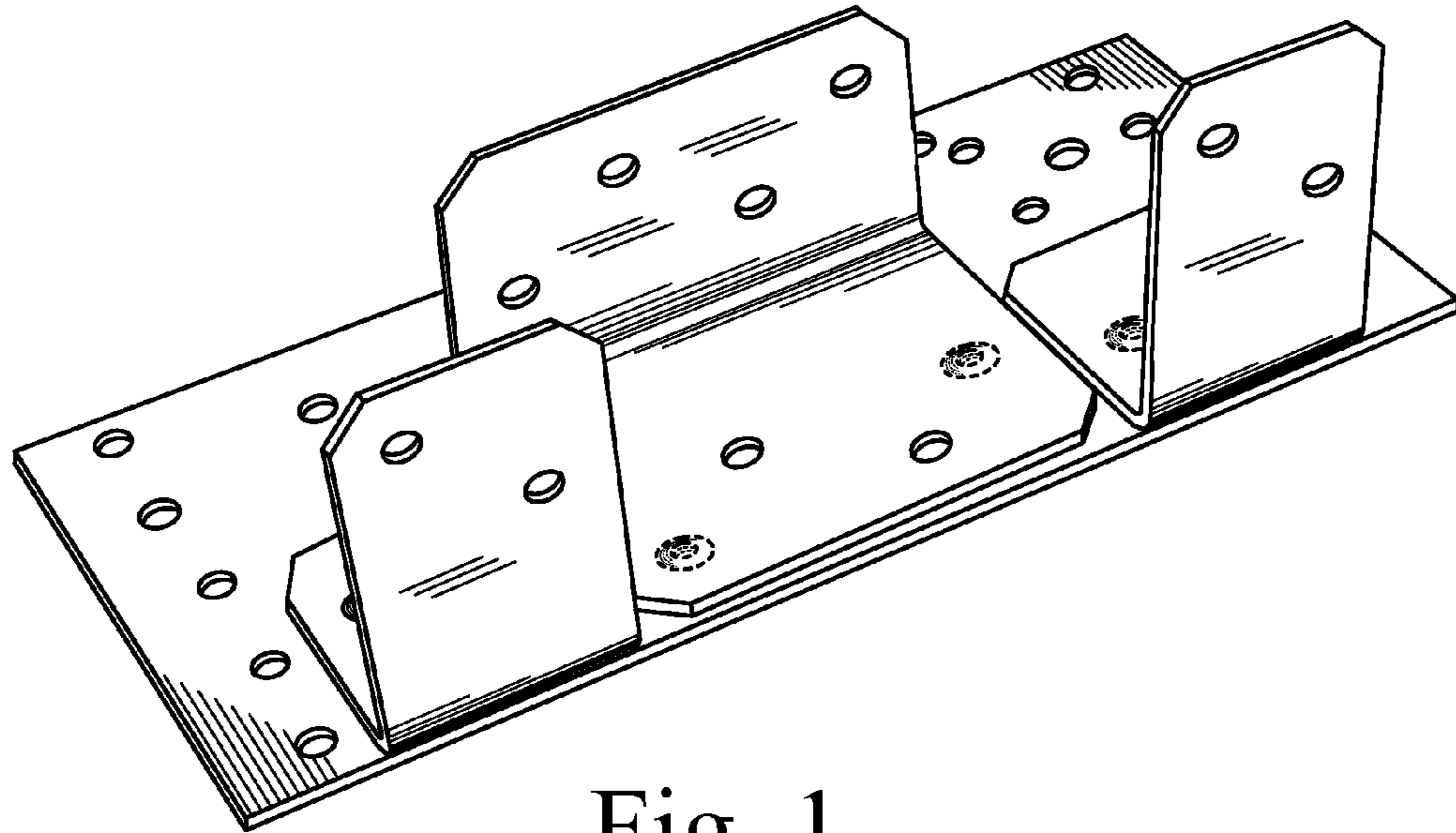


Fig. 1

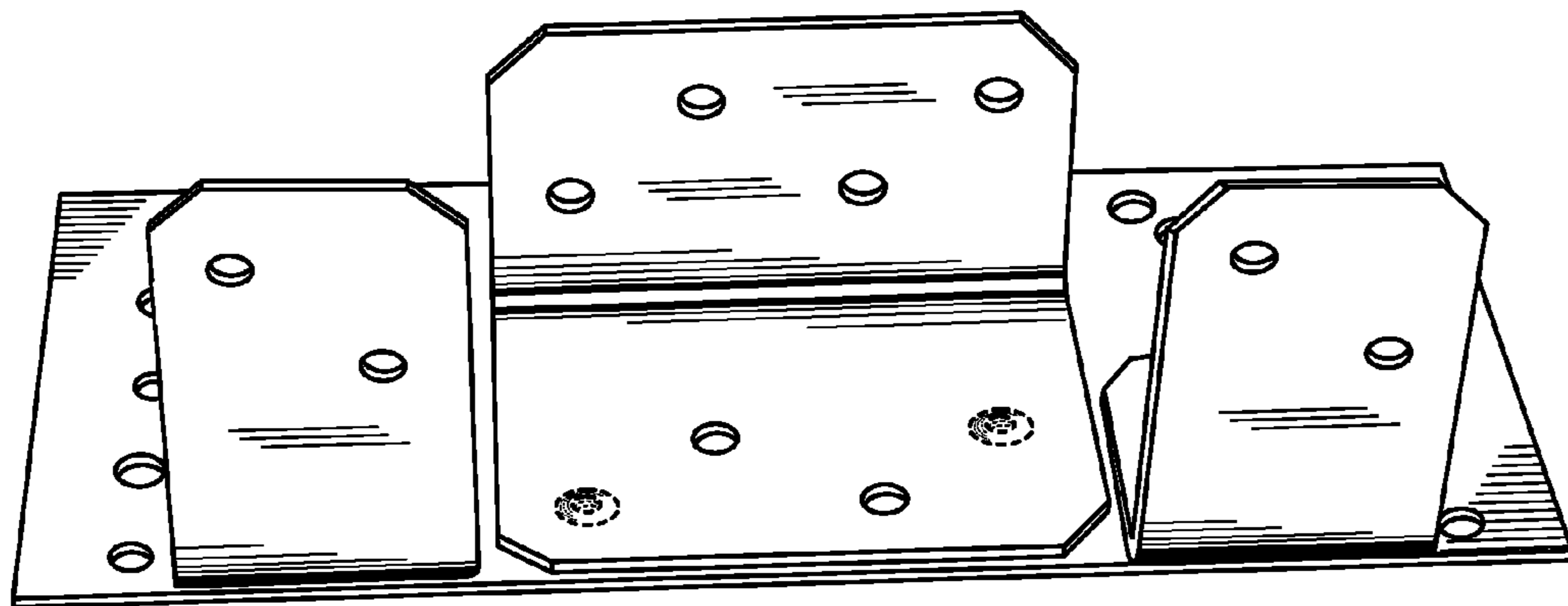


Fig. 2

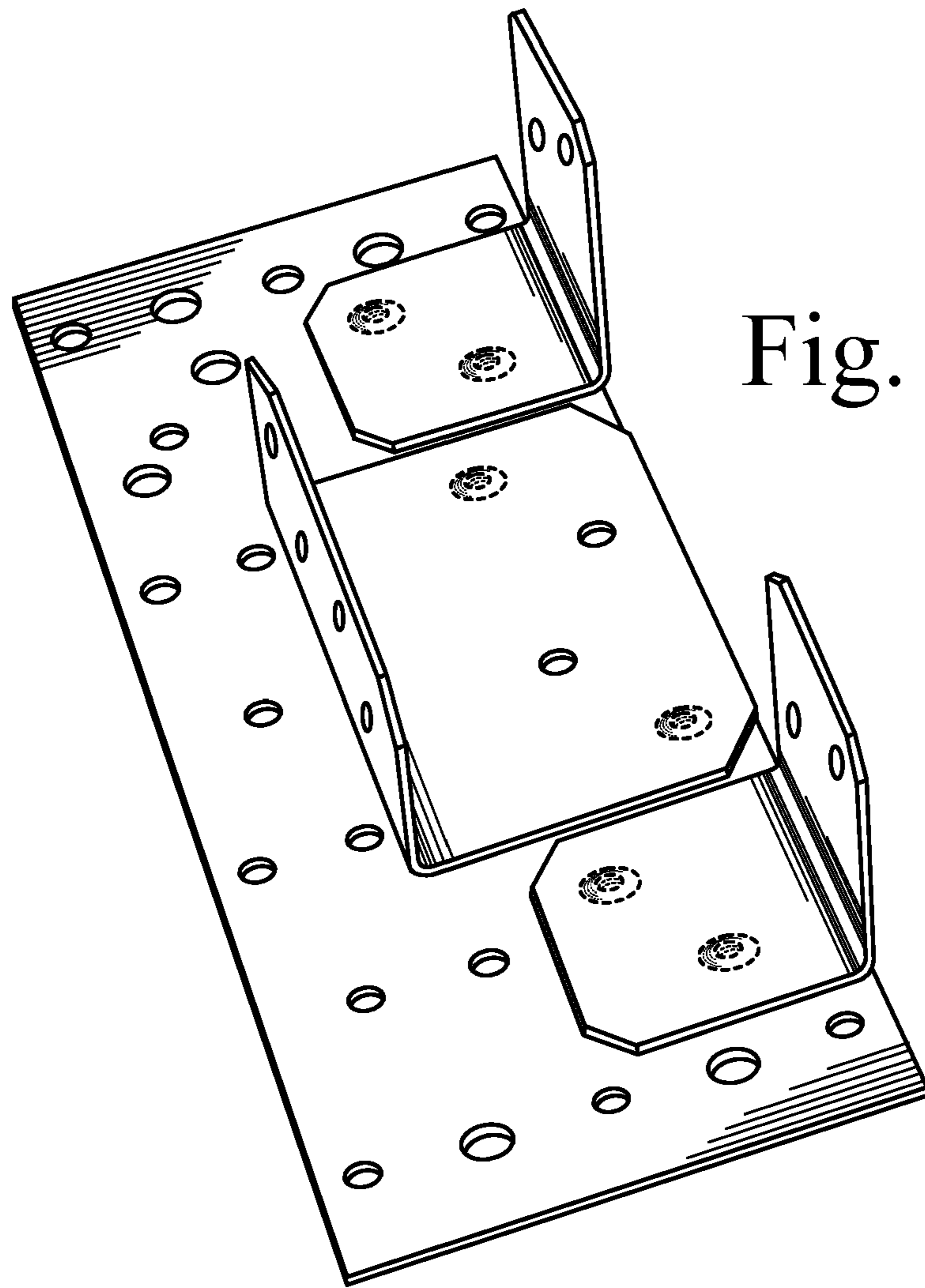


Fig. 3

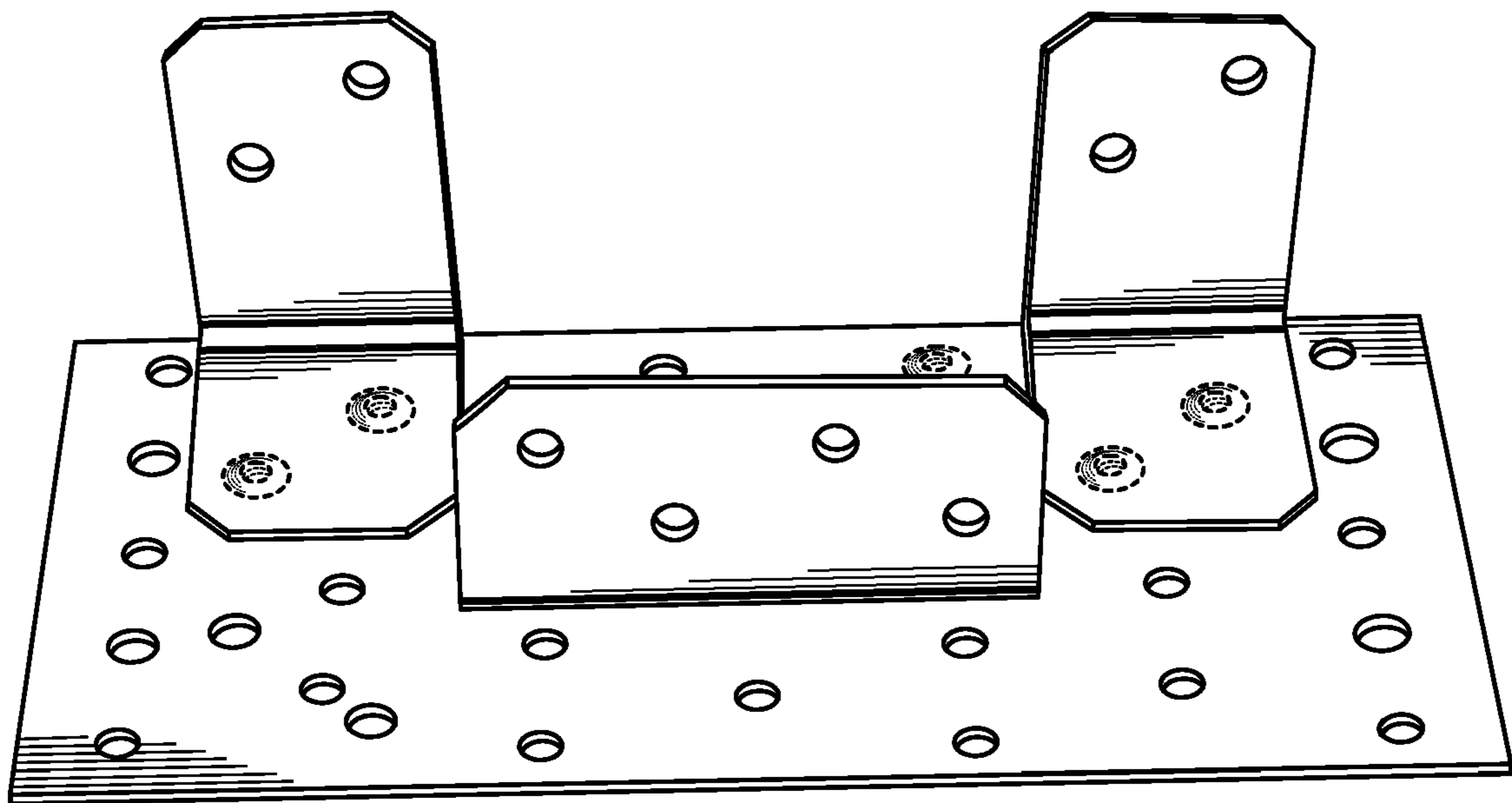


Fig. 4

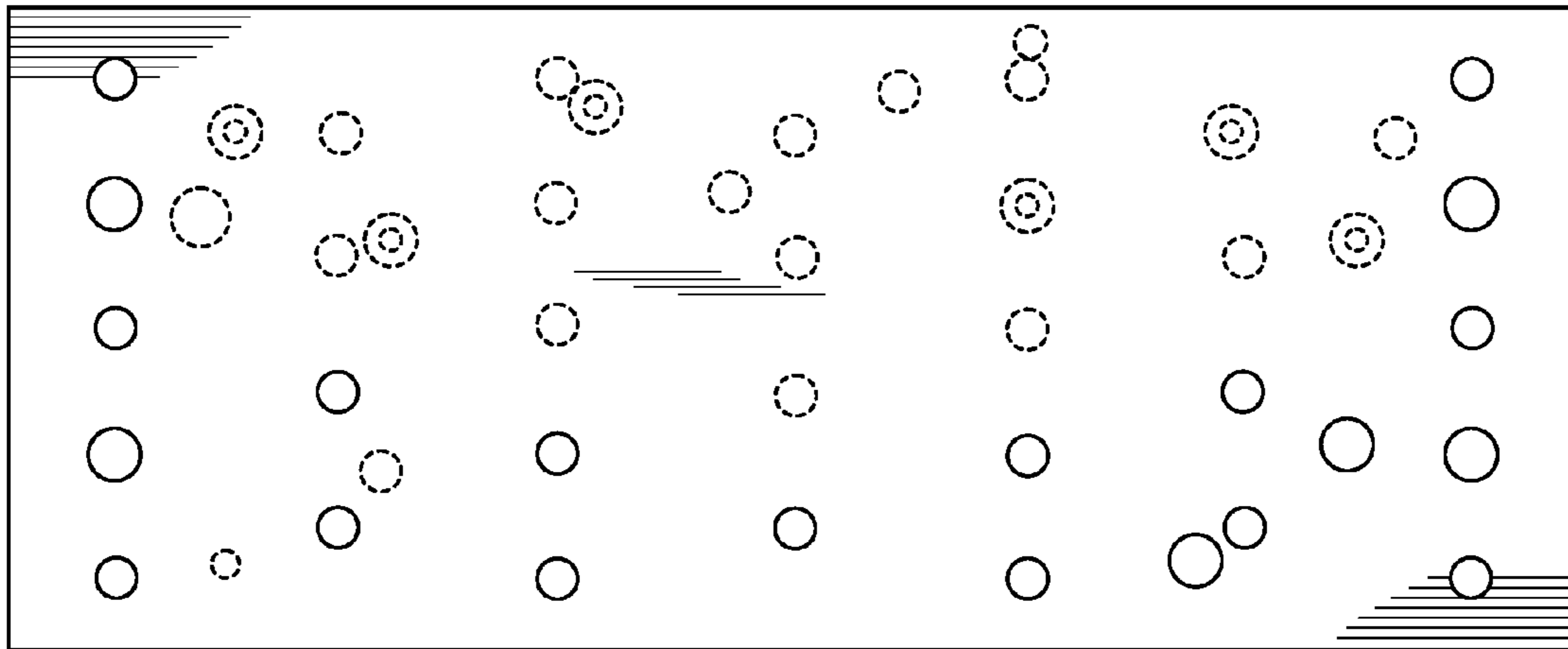


Fig. 5

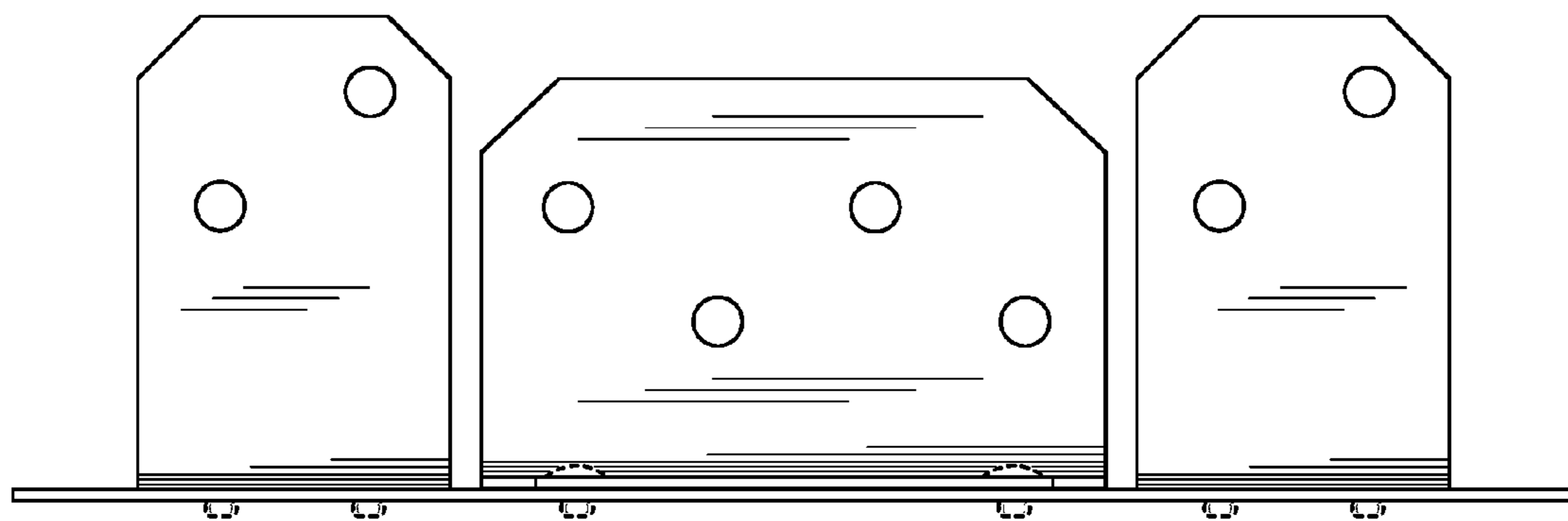


Fig. 6