



US00D575216S

(12) **United States Design Patent**  
**Shelby**

(10) **Patent No.:** **US D575,216 S**

(45) **Date of Patent:** **\*\* Aug. 19, 2008**

(54) **HOOD LOCKDOWN CAP**

(76) Inventor: **Carroll Hall Shelby**, 11080 W. Olympic Blvd., Suite 1050, Los Angeles, CA (US) 90064-1937

(\*\*) Term: **14 Years**

(21) Appl. No.: **29/292,669**

(22) Filed: **Oct. 23, 2007**

(51) **LOC (8) Cl.** ..... **12-16**

(52) **U.S. Cl.** ..... **D12/197**

(58) **Field of Classification Search** ..... D12/197, D12/110, 114, 198, 218, 201; D7/398, 598, D7/619; D8/310-312, 107-108; D9/435, D9/201, 451-454, 443-444; 220/304, 200, 220/203.4, 288, 32-33, 12, 86.1-86.3; 411/300, 411/411, 553, 349; D23/260; D15/150; 280/833, 839

See application file for complete search history.

(56) **References Cited**

**U.S. PATENT DOCUMENTS**

- D76,711 S \* 10/1928 Schnell ..... D12/197
- D123,083 S \* 10/1940 Guild ..... D34/35
- D164,698 S \* 10/1951 Mathews ..... D23/209

- D188,632 S \* 8/1960 Kawecki ..... D12/197
- D198,744 S \* 7/1964 Boomgaard ..... D12/197
- D376,565 S \* 12/1996 Davidson et al. .... D12/126
- D382,529 S \* 8/1997 Davidson et al. .... D12/197
- D410,869 S \* 6/1999 Singer ..... D12/114

\* cited by examiner

*Primary Examiner*—Robert M. Spear

*Assistant Examiner*—Katrina A Kile

(74) *Attorney, Agent, or Firm*—Edward A. Sokolski

(57) **CLAIM**

The ornamental design for an hood lockdown cap, as shown and described.

**DESCRIPTION**

FIG. 1 is a top, right perspective view of a hood lockdown cap showing my new design thereof;

FIG. 2 is a top plan view thereof;

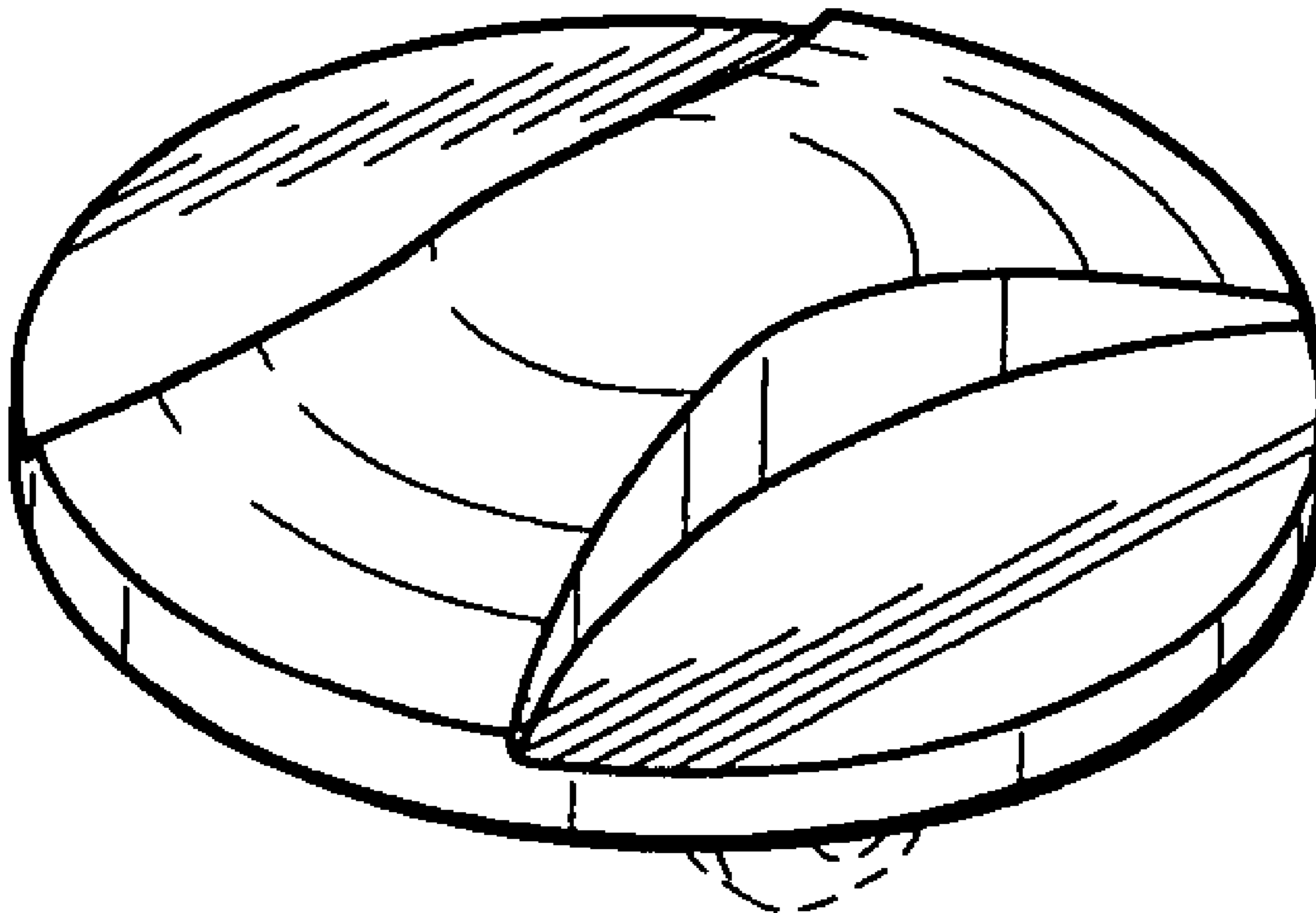
FIG. 3 is a side left elevational view thereof;

FIG. 4 is a front elevational view thereof; and,

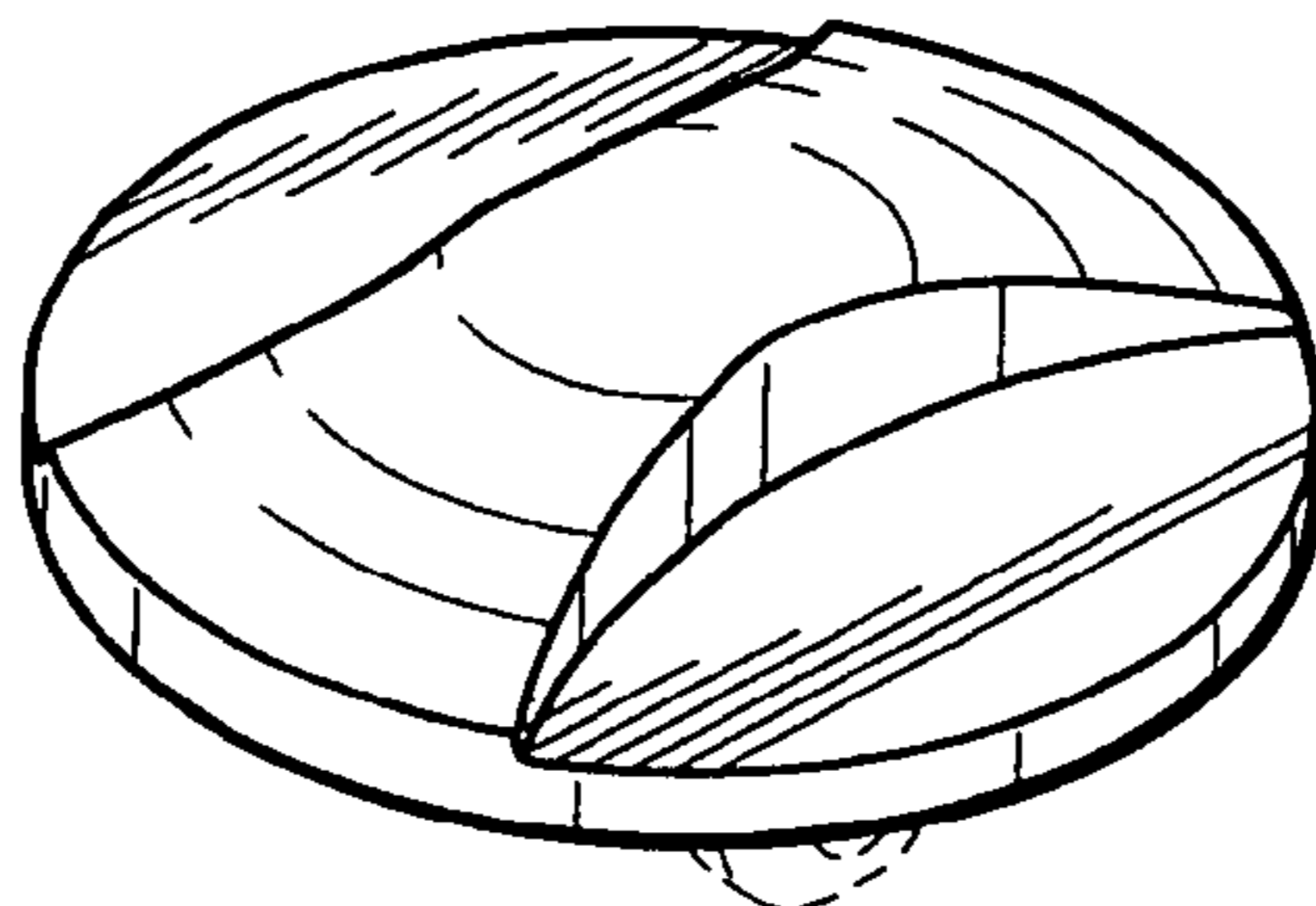
FIG. 5 is a bottom plan view thereof.

In the drawings, the broken lines depict environmental subject matter only and form no part of the claimed design.

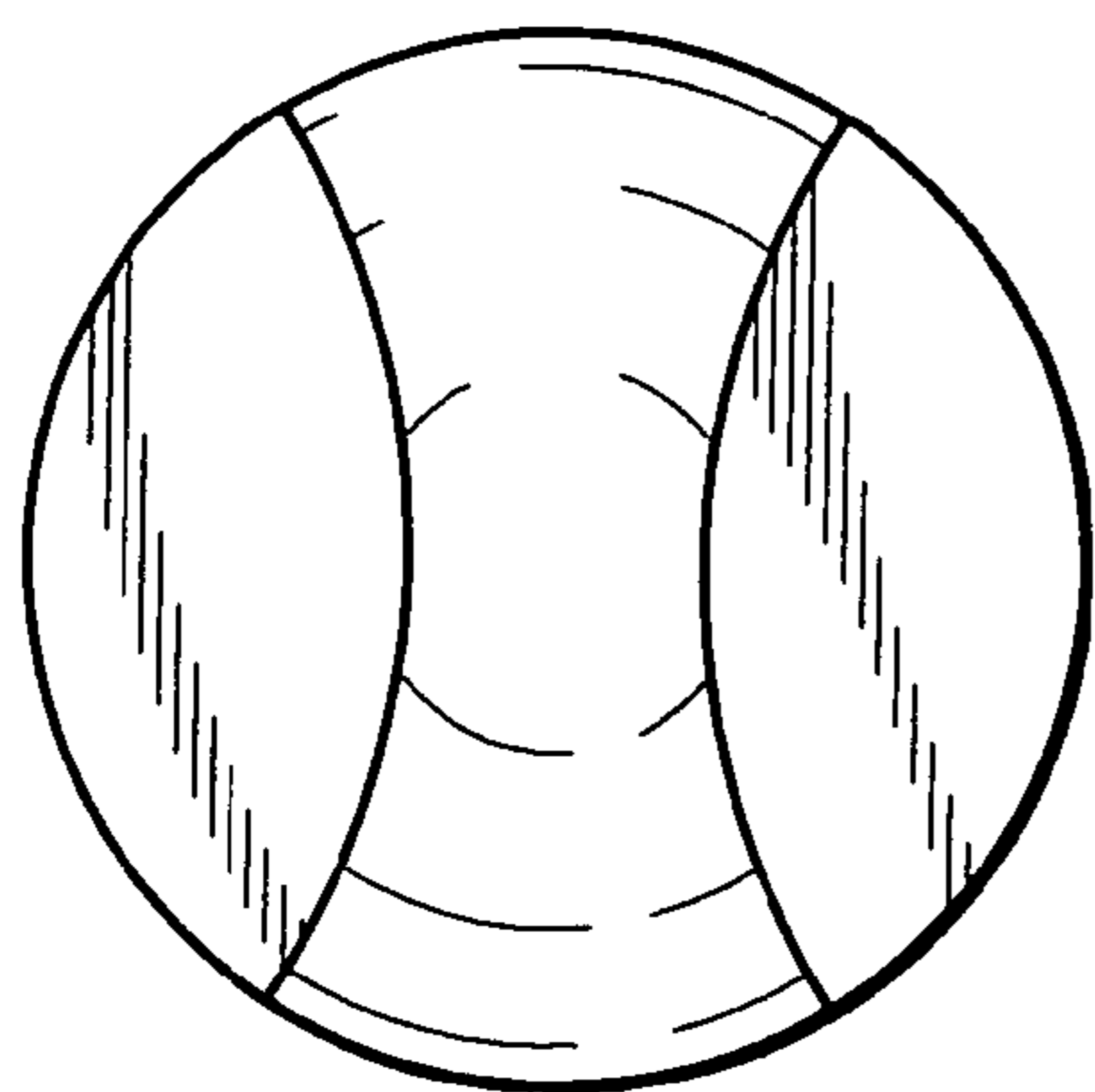
**1 Claim, 1 Drawing Sheet**



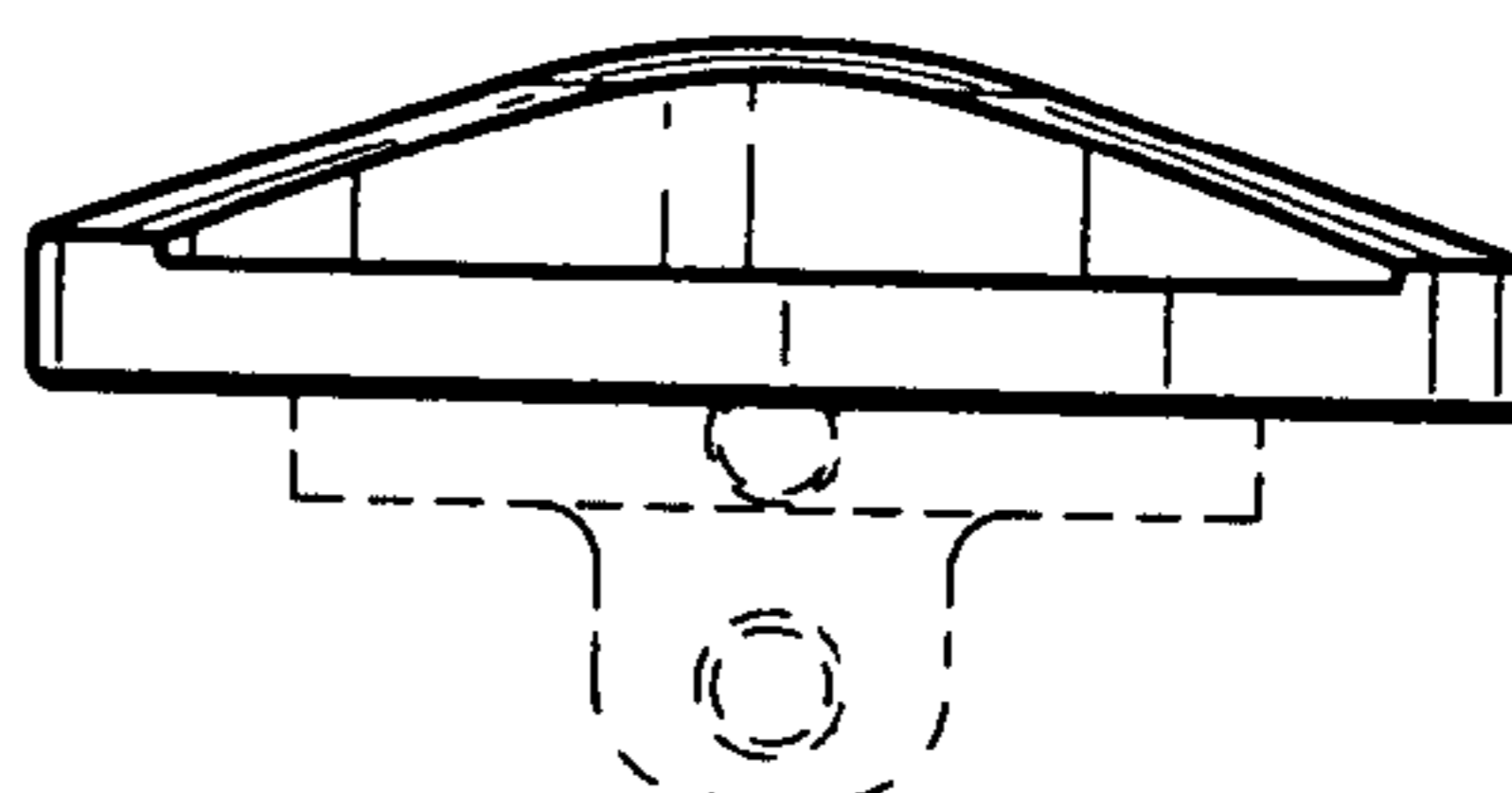
**FIG. 1**



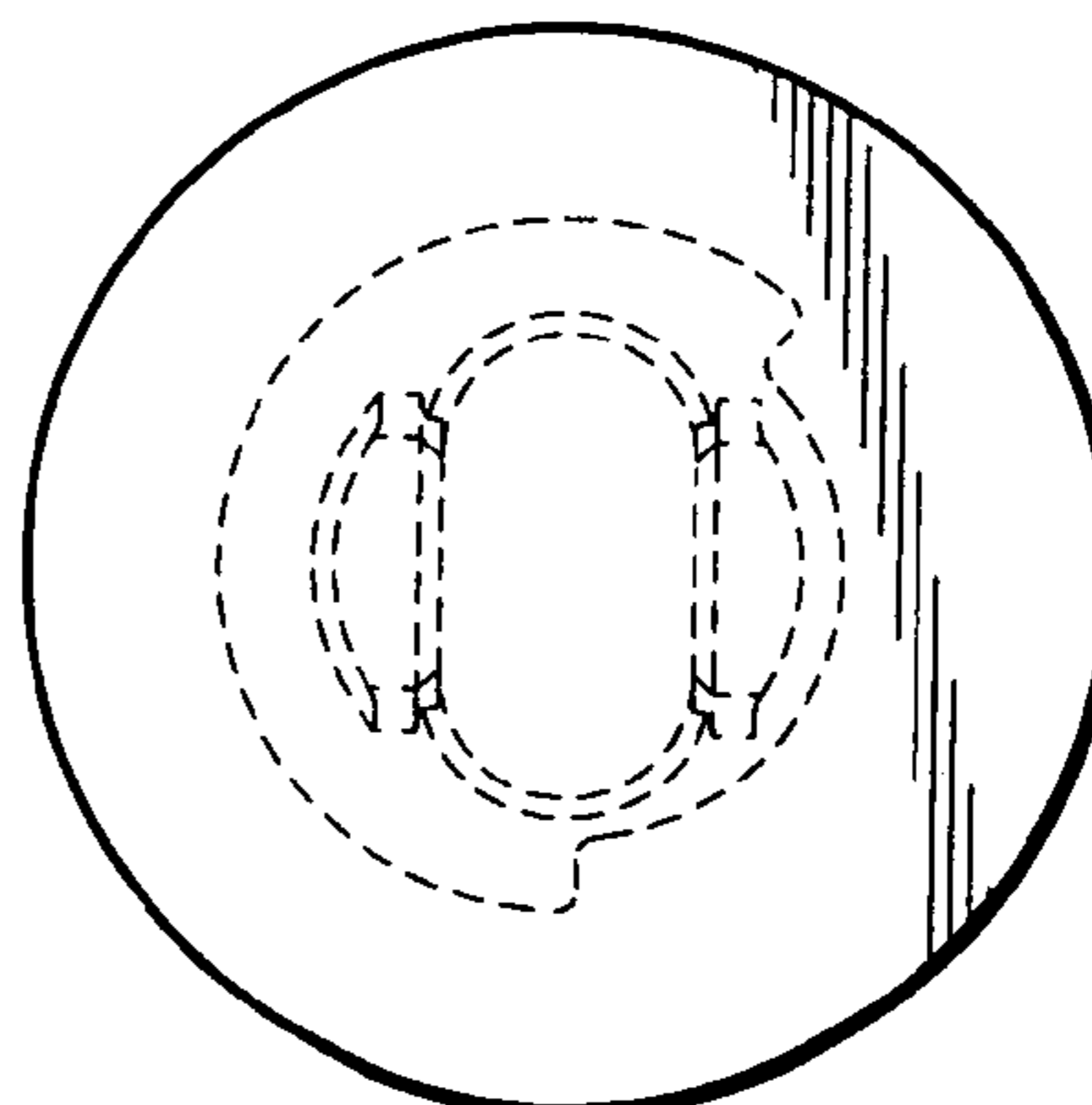
**FIG. 2**



**FIG. 3**



**FIG. 5**



**FIG. 4**

