



US00D575215S

(12) **United States Design Patent**  
**Shelby**

(10) **Patent No.:** **US D575,215 S**

(45) **Date of Patent:** **\*\* Aug. 19, 2008**

(54) **FRONT END OF AN AUTOMOBILE**

(76) **Inventor:** **Carroll Hall Shelby**, 11080 W. Olympic Blvd., Suite 1050, Los Angeles, CA (US) 90064-1937

(\*\*) **Term:** **14 Years**

(21) **Appl. No.:** **29/285,964**

(22) **Filed:** **Apr. 16, 2007**

(51) **LOC (8) Cl.** ..... **12-16**

(52) **U.S. Cl.** ..... **D12/196**

(58) **Field of Classification Search** ..... D12/90-92, D12/86, 196, 164; 296/181.1, 181.5  
See application file for complete search history.

(56) **References Cited**

**U.S. PATENT DOCUMENTS**

D466,057 S \* 11/2002 Hapgood ..... D12/173  
D510,550 S \* 10/2005 Chiang ..... D12/173

D510,551 S \* 10/2005 Mays et al. .... D12/173  
D525,575 S \* 7/2006 Matei et al. .... D12/196  
D529,420 S \* 10/2006 Chiang ..... D12/173  
D552,023 S \* 10/2007 McChesney et al. .... D12/196

\* cited by examiner

*Primary Examiner*—Melody N Brown

(74) *Attorney, Agent, or Firm*—Edward A. Sokolski

(57) **CLAIM**

The ornamental design for a front end of an automobile, as shown and described.

**DESCRIPTION**

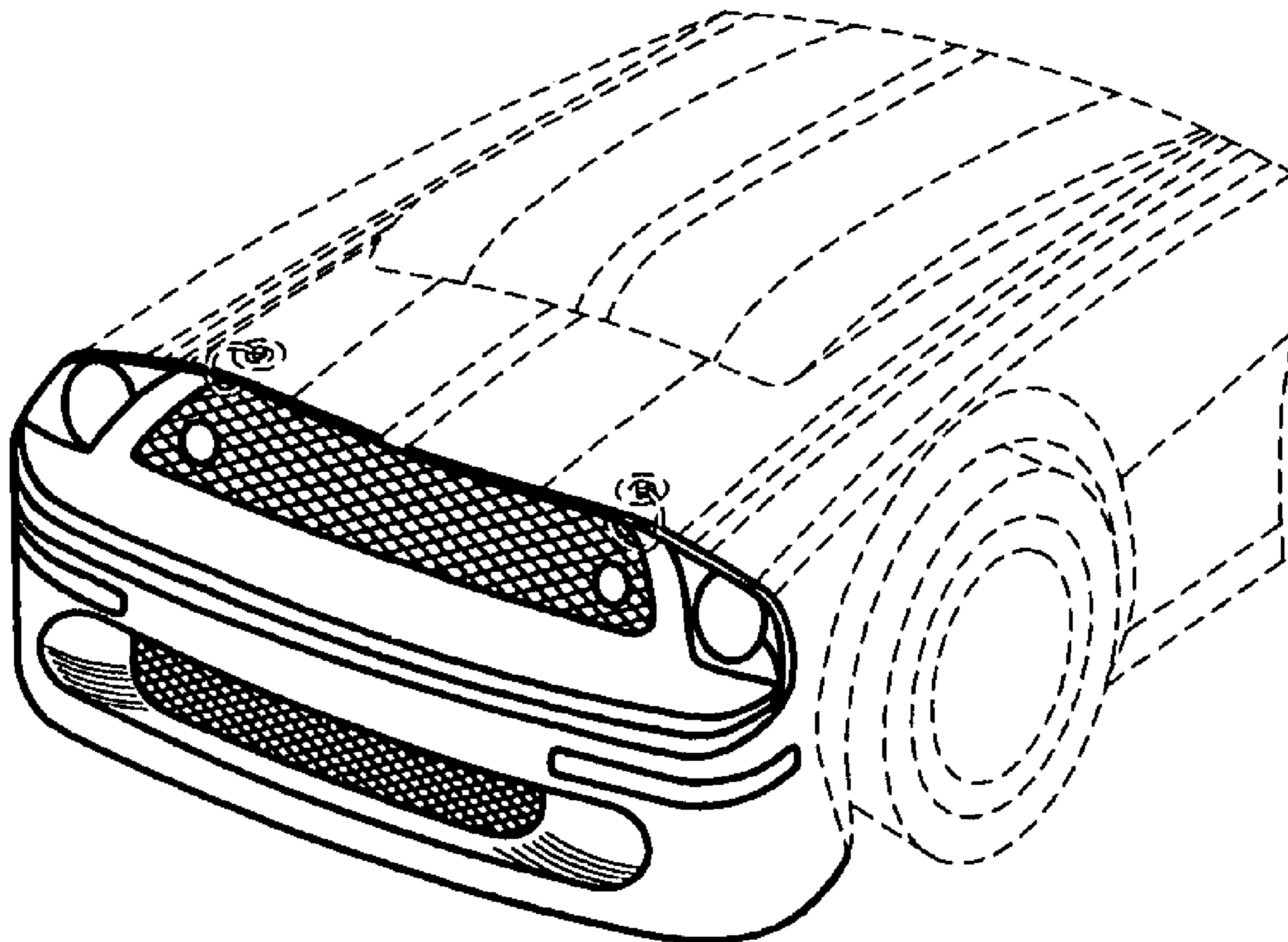
FIG. 1 is a front plan view of a front end of an automobile showing my new design;

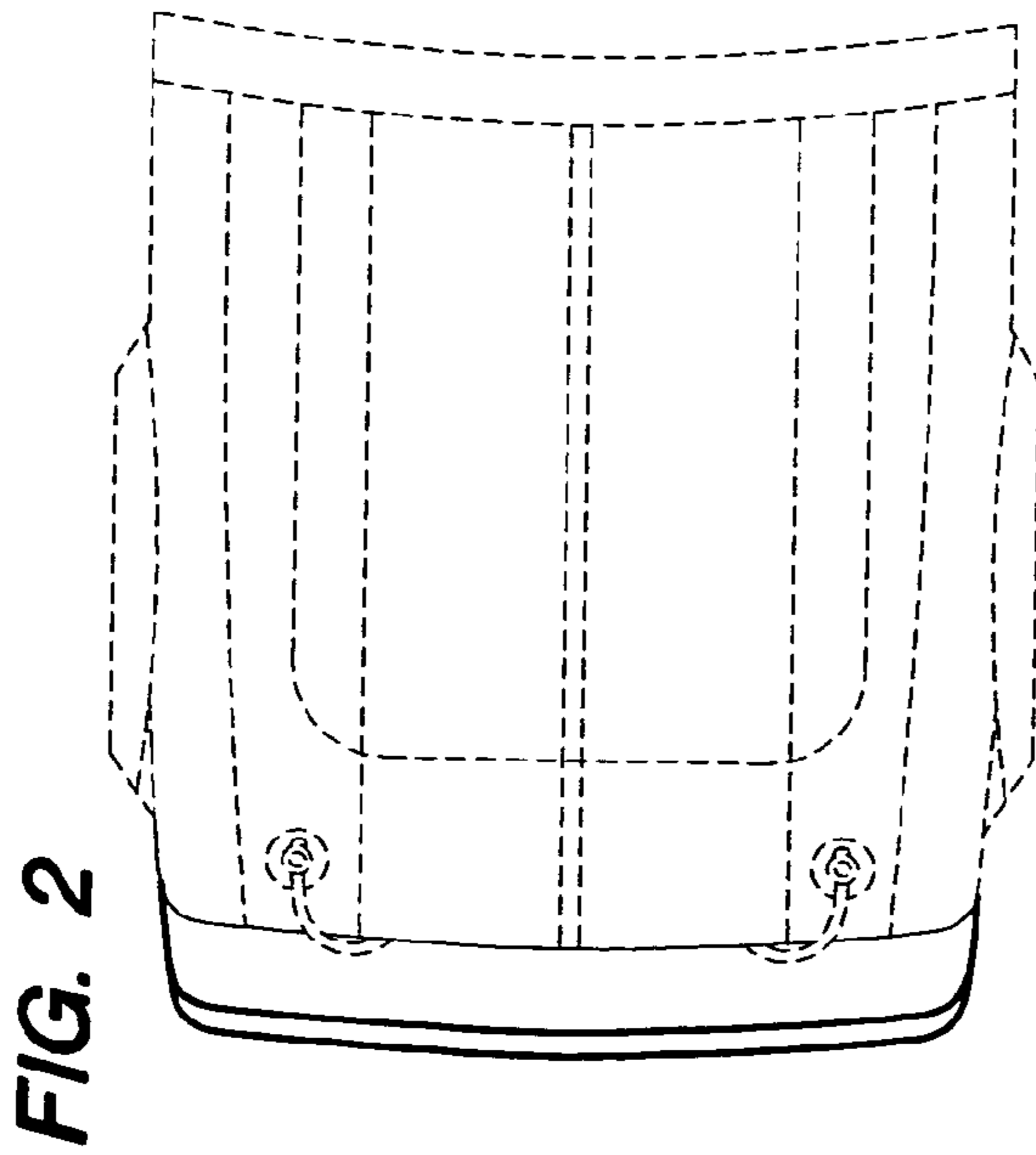
FIG. 2 is a top plan view thereof;

FIG. 3 is a side perspective view thereof; and,

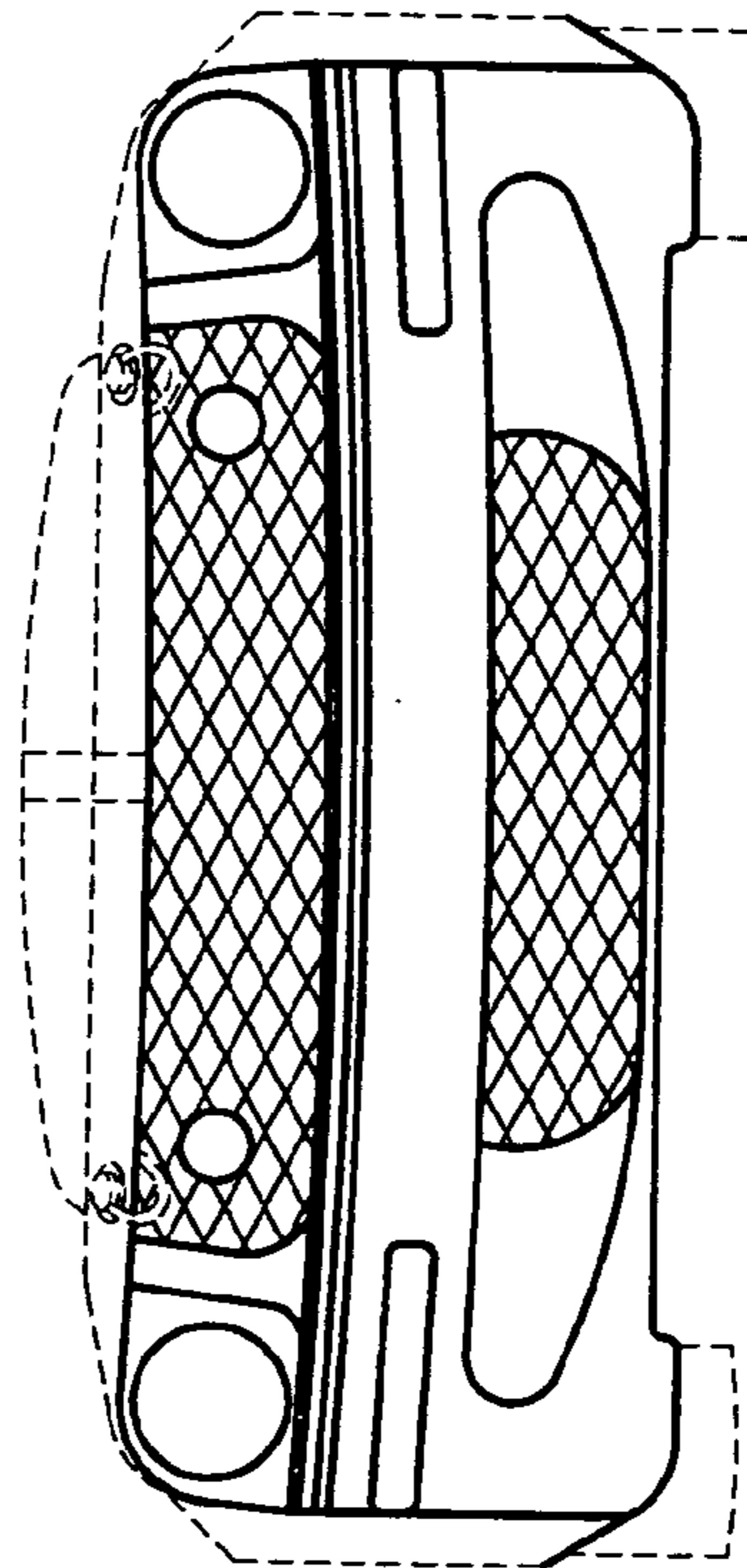
FIG. 4 is a front elevational view thereof.

**1 Claim, 1 Drawing Sheet**

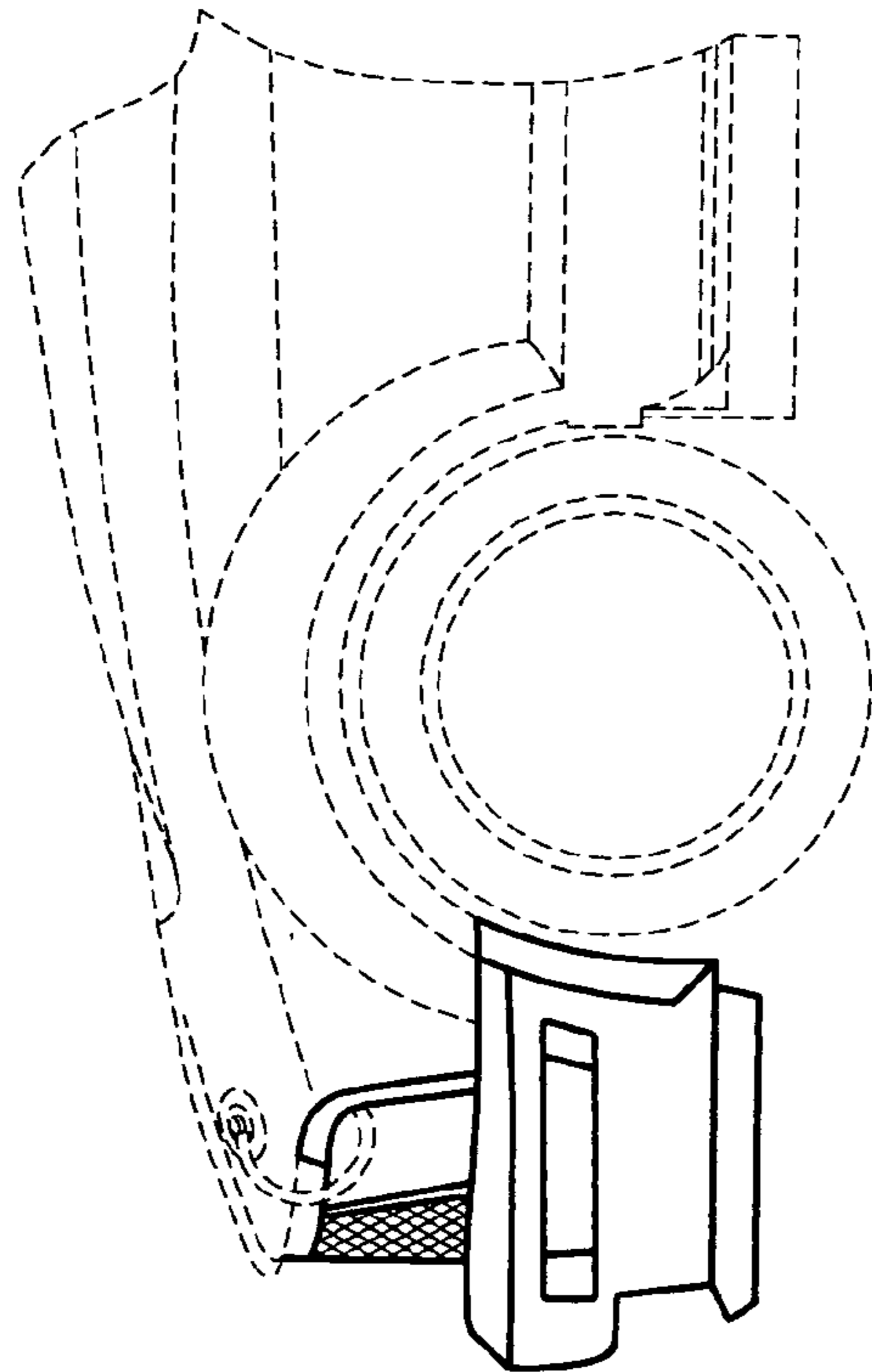




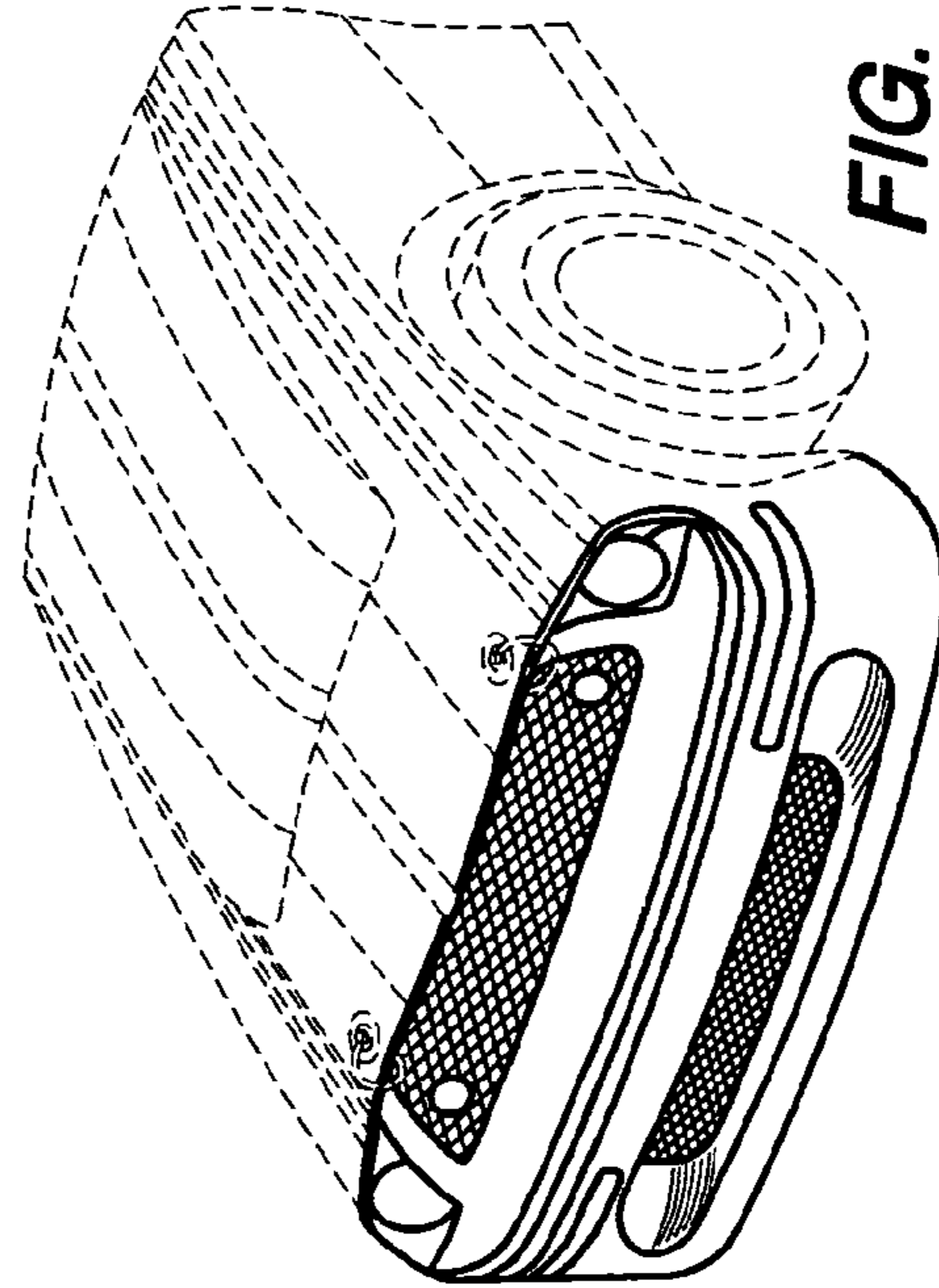
**FIG. 2**



**FIG. 1**



**FIG. 3**



**FIG. 4**