



US00D575214S

(12) **United States Design Patent**  
**Valadao**

(10) **Patent No.:** **US D575,214 S**  
(45) **Date of Patent:** **\*\* Aug. 19, 2008**

(54) **RV SAFETY PROTECTION HITCH COVER**

2006/0097494 A1\* 5/2006 Breed ..... 280/731

(76) Inventor: **John A Valadao**, 1845 E. Burton Ave.,  
Tulare, CA (US) 93274

**FOREIGN PATENT DOCUMENTS**

GB 2169863 A \* 7/1986

\* cited by examiner

(\*\*) Term: **14 Years**

*Primary Examiner*—Louis S Zarfaz  
*Assistant Examiner*—Michael A. Pratt

(21) Appl. No.: **29/304,581**

(22) Filed: **Mar. 4, 2008**

(57) **CLAIM**

(51) **LOC (8) Cl.** ..... **12-16**

The ornamental design for an RV safety protection hitch cover, as shown and described.

(52) **U.S. Cl.** ..... **D12/194**

(58) **Field of Classification Search** ..... D12/106,  
D12/162, 400, 401, 403; 280/495, 507, 511,  
280/727, 769; 40/200, 204, 205, 209, 211,  
40/575, 590, 591; D26/28, 31, 34, 36; 224/527,  
224/522, 524

**DESCRIPTION**

See application file for complete search history.

FIG. 1 is a perspective view of a RV safety protection hitch cover, showing my new design;

FIG. 2 is a front elevational view of the invention;

FIG. 3 is a rear elevational view of the invention;

FIG. 4 is a left-side elevational view of the invention;

FIG. 5 is a right-side elevational view of the invention;

FIG. 6 is a top plan view of the invention; and,

FIG. 7 is a bottom plan view of the invention.

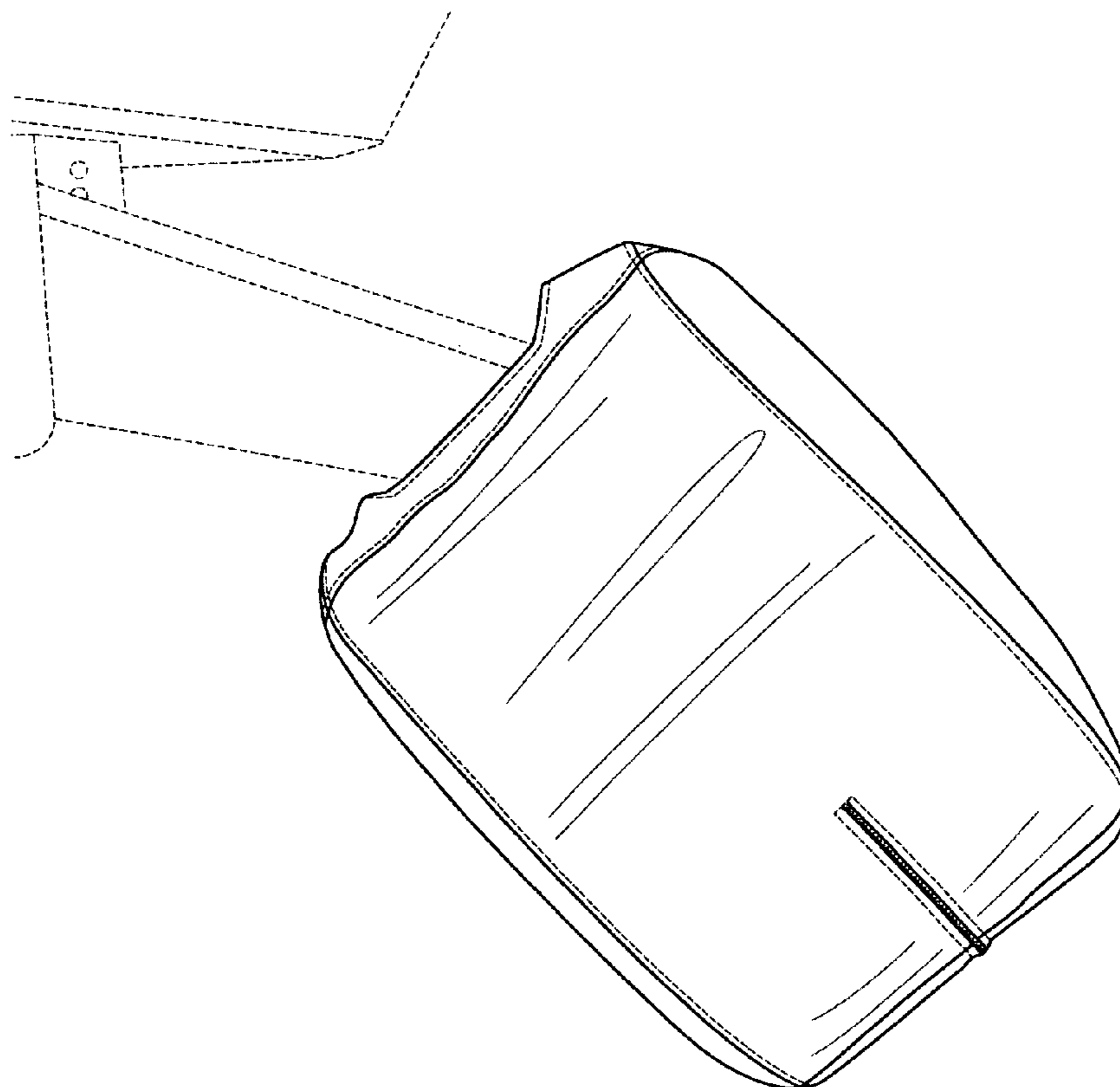
The broken lines shown applied on the hitch cover is included for the purpose of illustrating stitching and forms a part of the claimed design.

(56) **References Cited**

**U.S. PATENT DOCUMENTS**

- 2,812,900 A \* 11/1957 Matthews ..... 416/247 R
- 5,868,189 A \* 2/1999 Jarvis ..... 150/165
- 6,003,922 A \* 12/1999 Giesey et al. .... 296/37.3
- 6,142,192 A \* 11/2000 Dickinson et al. .... 141/97
- D438,425 S \* 3/2001 Agnew ..... D7/392
- D466,373 S \* 12/2002 Haskins et al. .... D7/607
- D496,319 S \* 9/2004 Iancului ..... D12/211

**1 Claim, 2 Drawing Sheets**



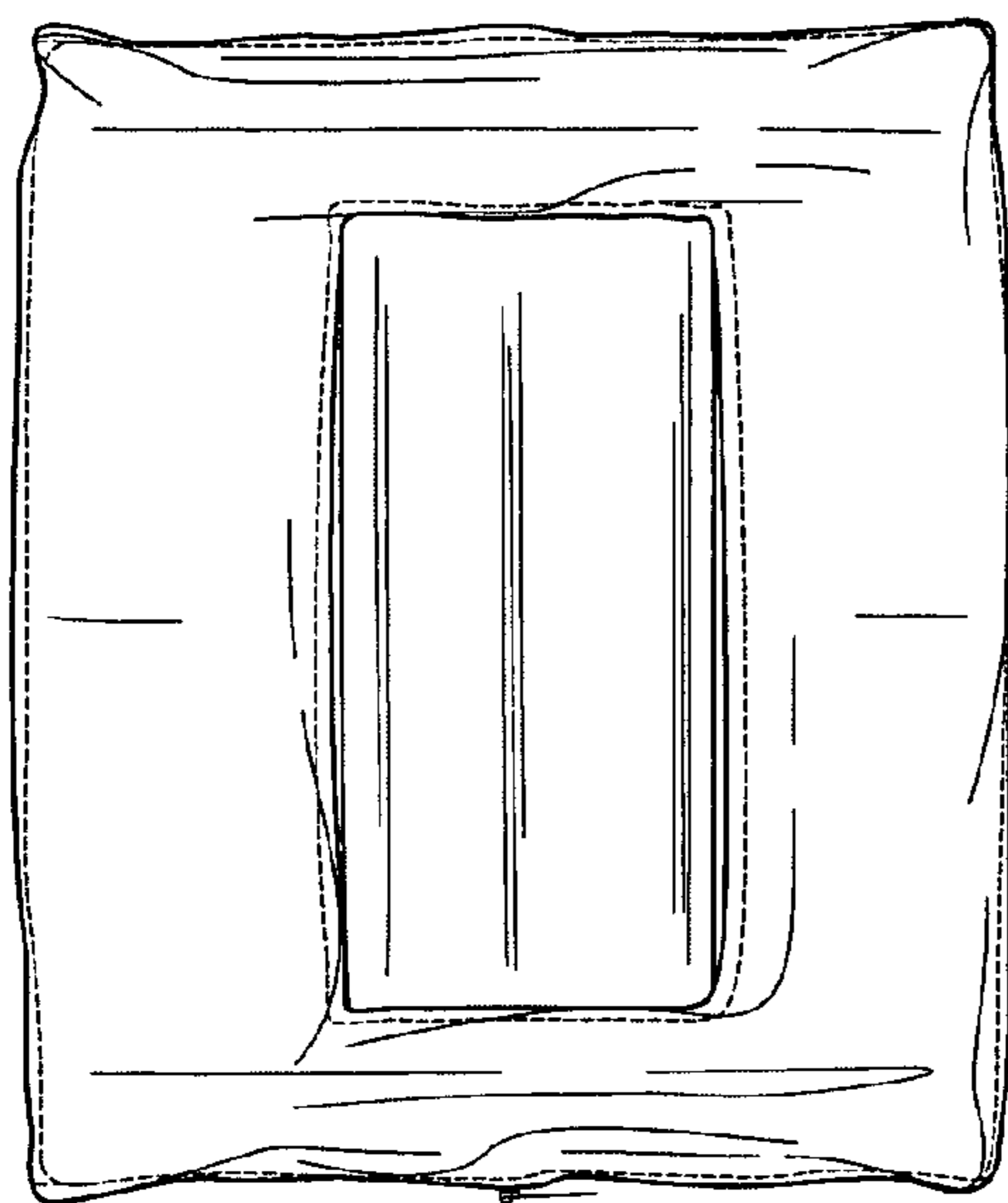


FIG. 2

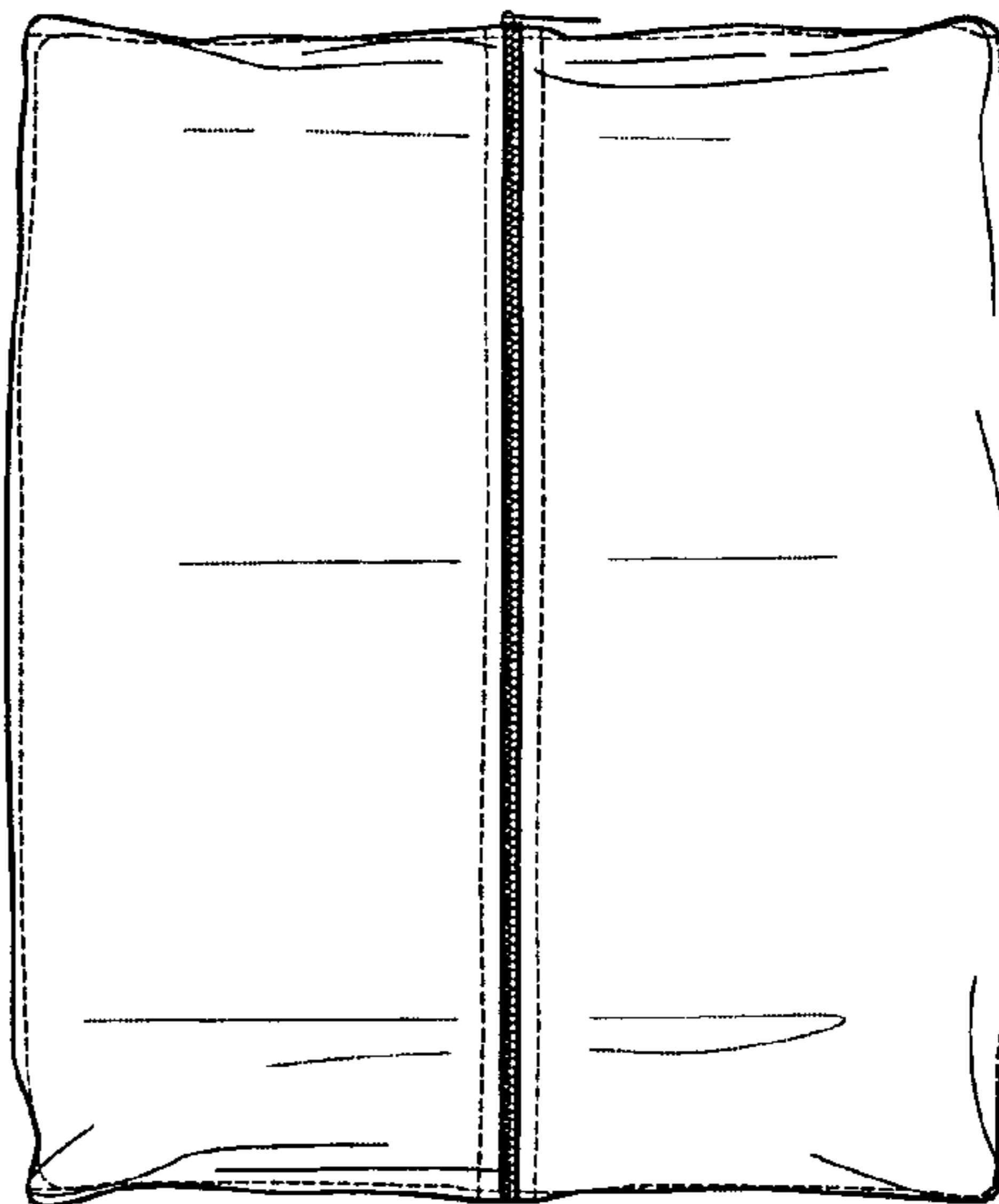


FIG. 3

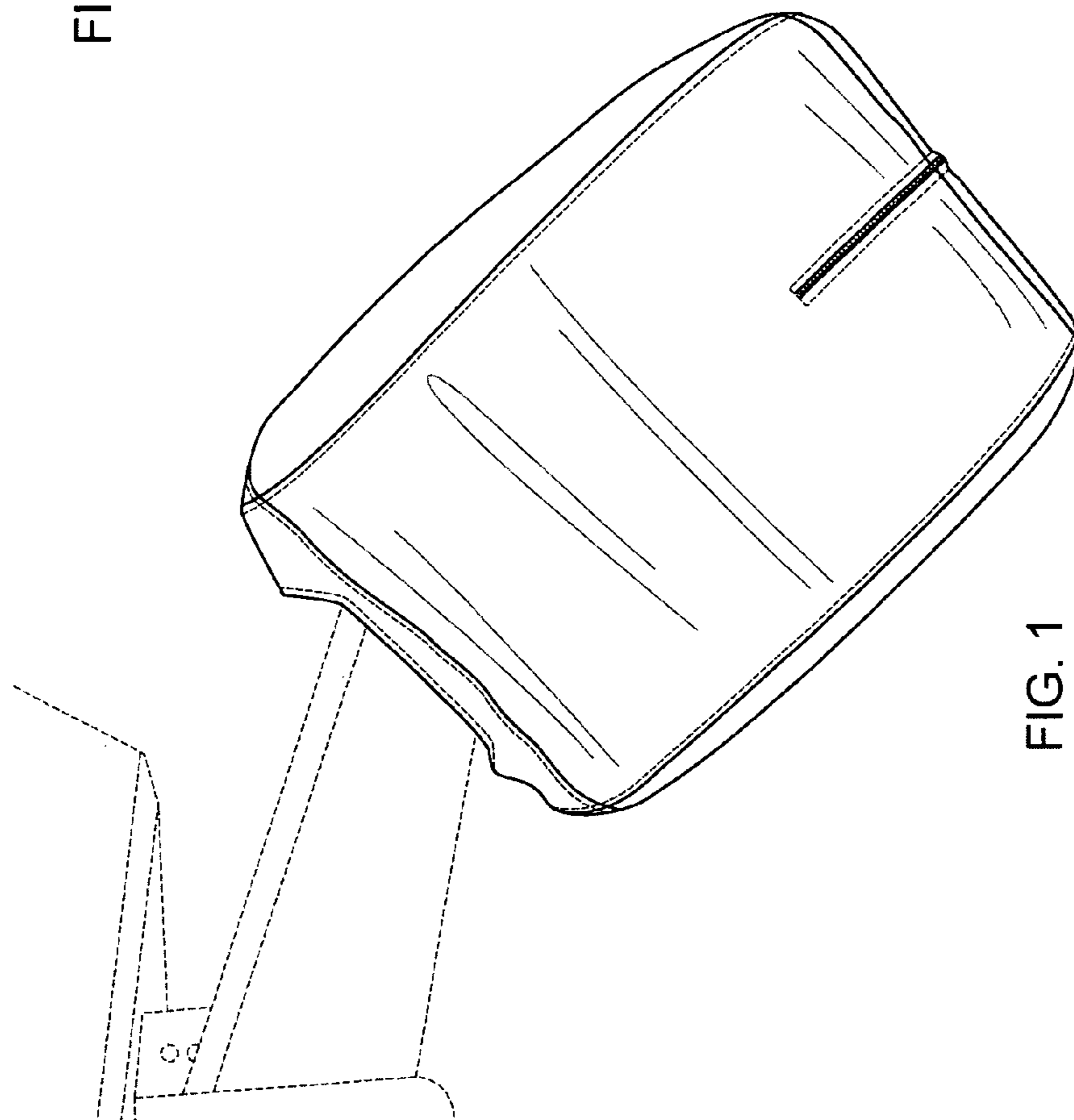


FIG. 1

FIG. 5

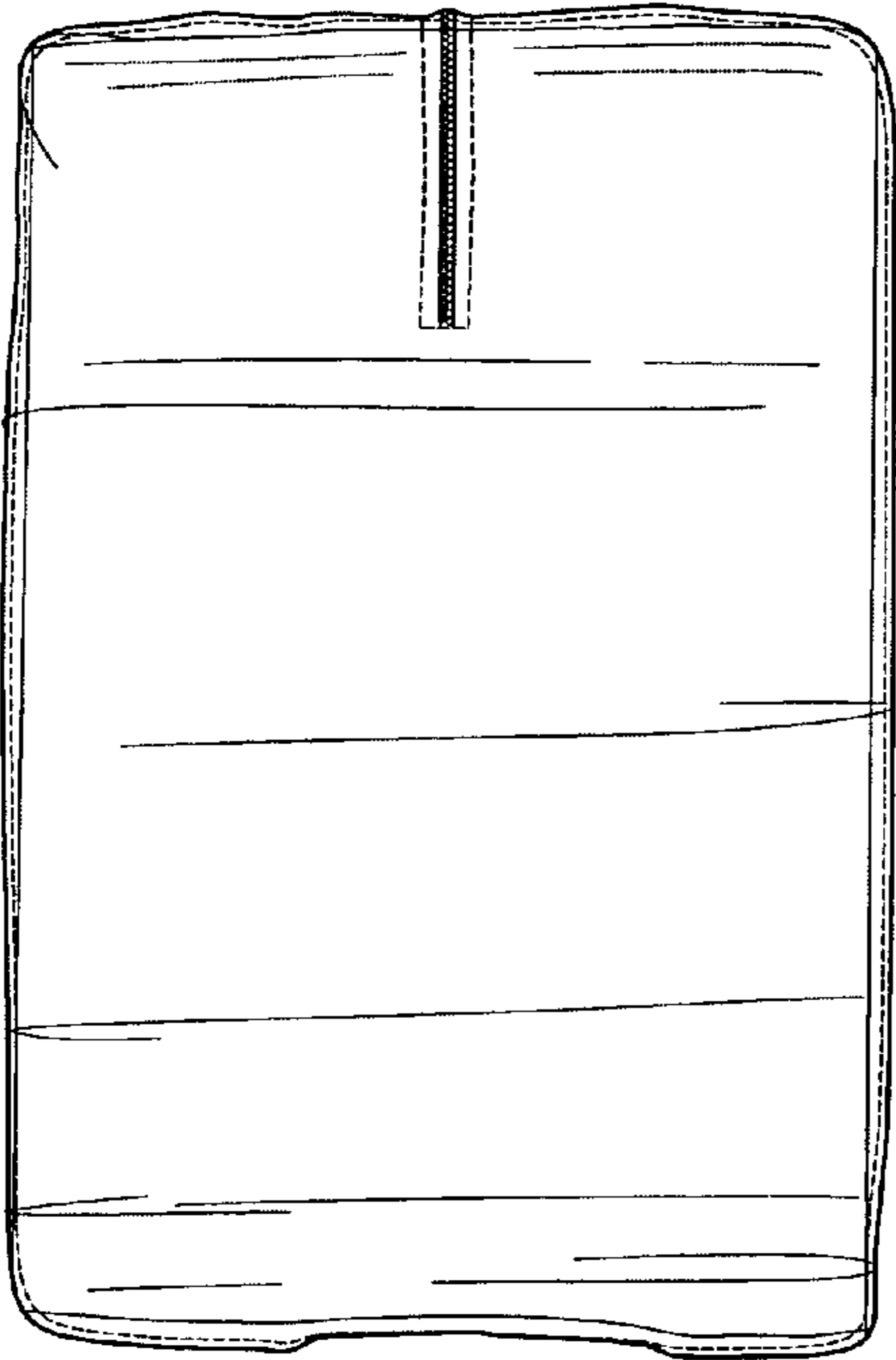


FIG. 7

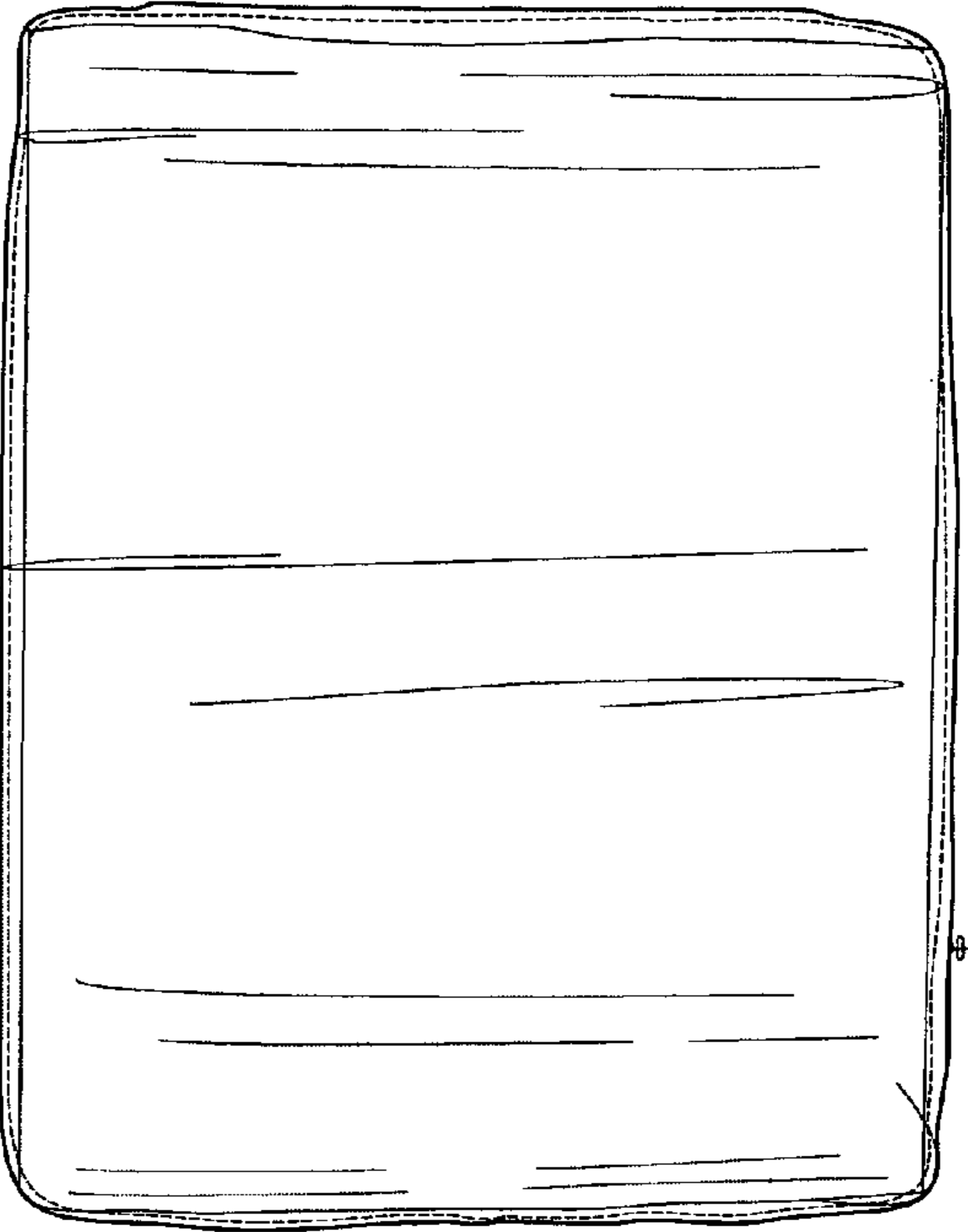


FIG. 4

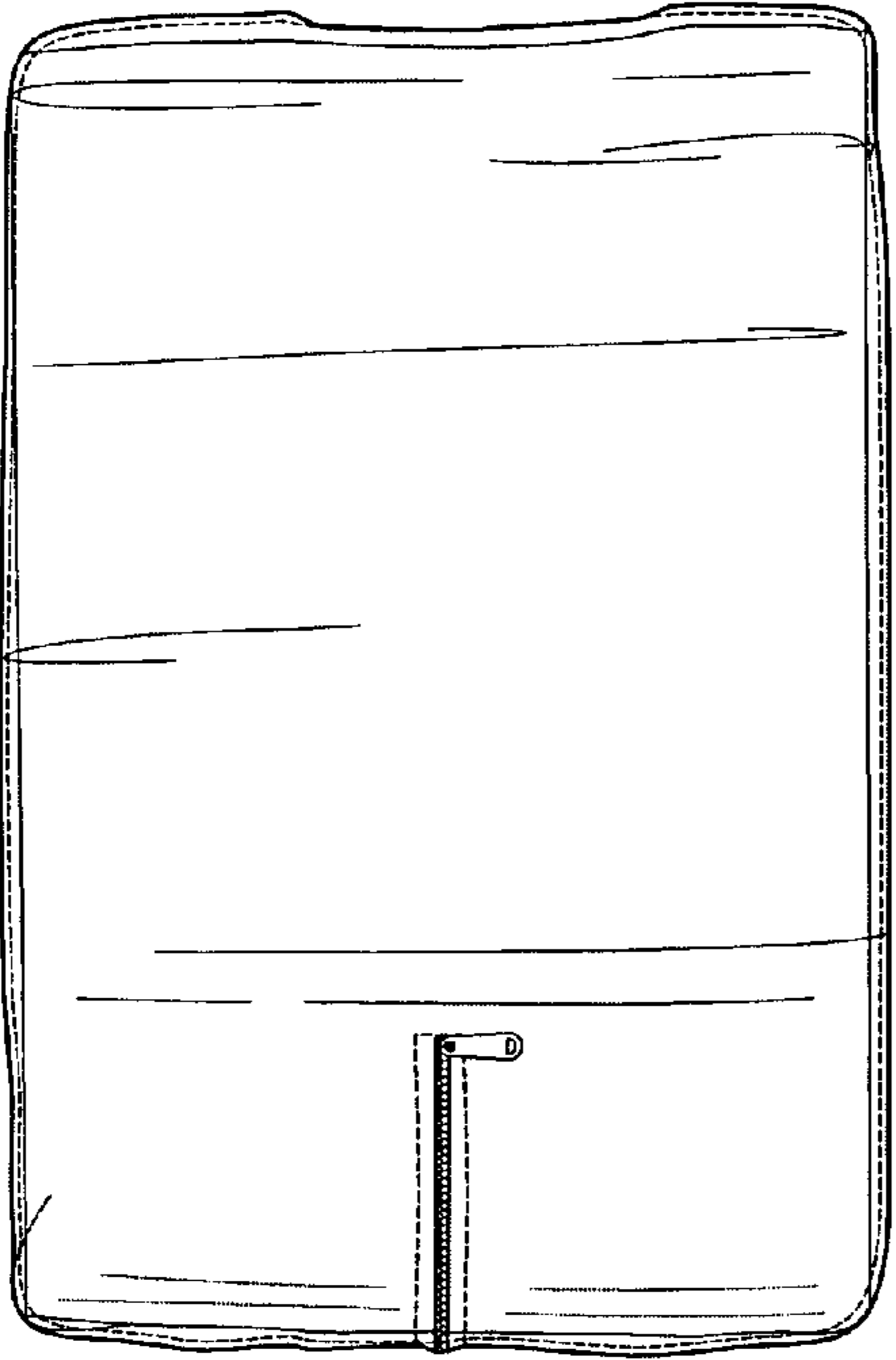


FIG. 6

