



US00D575212S

(12) **United States Design Patent**
Tsay et al.

(10) **Patent No.:** **US D575,212 S**

(45) **Date of Patent:** **** Aug. 19, 2008**

(54) **VEHICLE CENTER CONSOLE**

D504,372 S *	4/2005	Juraschek	D12/192
D528,485 S *	9/2006	Montijo et al.	D12/192
D529,848 S *	10/2006	Shigehara et al.	D12/192
D535,926 S *	1/2007	Anderson et al.	D12/192
D558,109 S *	12/2007	Misugi et al.	D12/192
D561,077 S *	2/2008	Kato	D12/192
D563,300 S *	3/2008	Nishimura et al.	D12/192

(75) **Inventors:** **Michael Tsay**, Irvine, CA (US); **Chris Osborne**, Efland, NC (US); **James H. Y. Lee**, San Diego, CA (US); **Toshi Sase**, Raymond, OH (US); **Mazakazu Hirano**, Raymond, OH (US)

* cited by examiner

(73) **Assignee:** **Honda Motor Co., Ltd.**, Tokyo (JP)

Primary Examiner—Stacia Cadmus

(**) **Term:** **14 Years**

(74) *Attorney, Agent, or Firm*—Plumsea Law Group, LLC; Mike E. Duell

(21) **Appl. No.:** **29/295,093**

(22) **Filed:** **Sep. 21, 2007**

(57) **CLAIM**

(51) **LOC (8) Cl.** **12-16**

(52) **U.S. Cl.** **D12/192**

(58) **Field of Classification Search** D12/192,
D12/415; 180/190; 280/750–752; 296/190.01–190.09,
296/70; D15/17, 28; D10/46, 98, 102–103;
D23/324, 327, 387; D14/157, 258

See application file for complete search history.

The ornamental design for a vehicle center console, as shown and described.

DESCRIPTION

FIG. 1 is a perspective view of a vehicle center console showing my new design;

FIG. 2 is a side elevational view thereof; and,

FIG. 3 is a top plan view thereof.

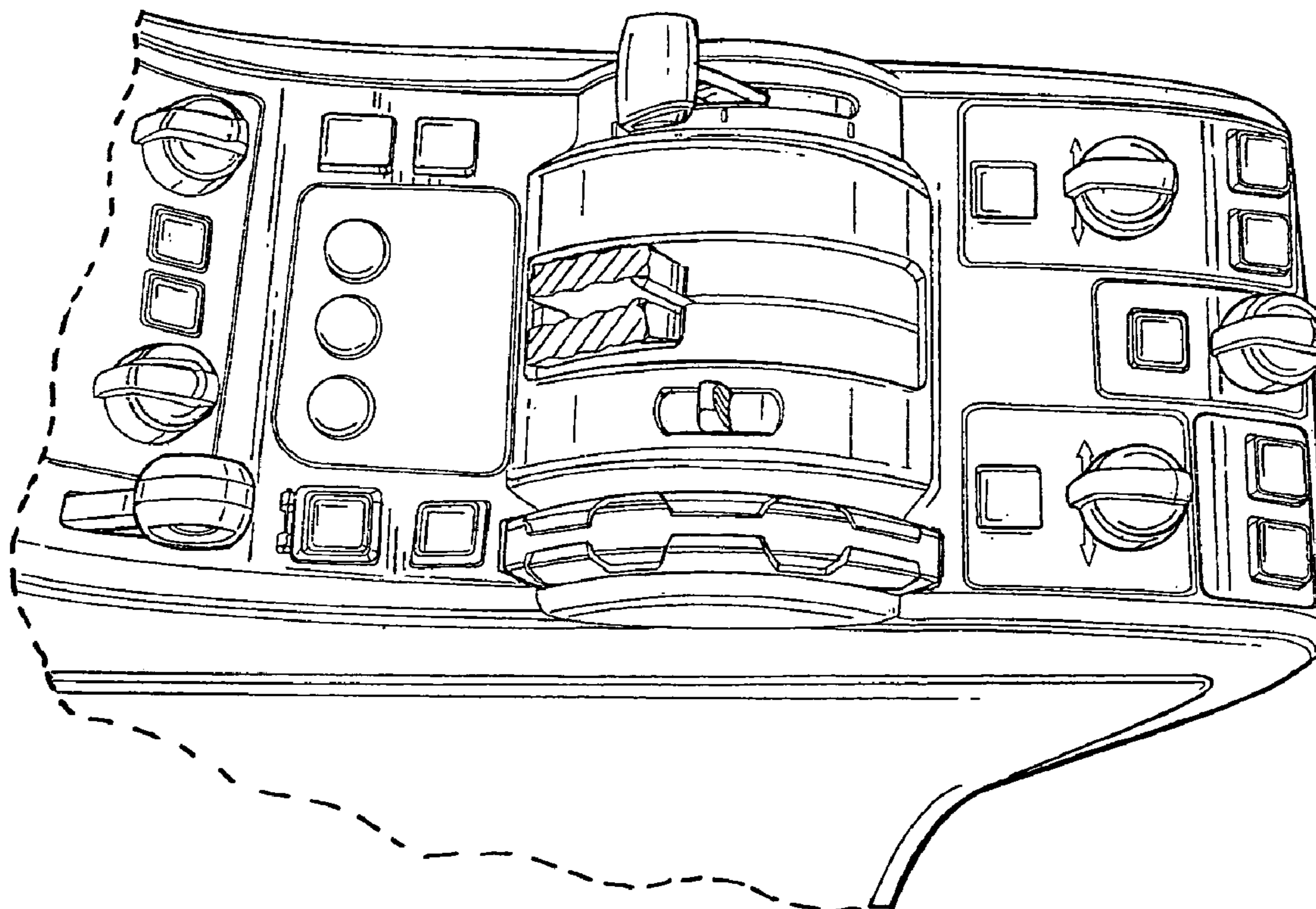
The jagged heavy line and rectangular elements with cross-hatching illustrate a boundary of the claim. Likewise the heavy broken line denotes a boundary of the claim and forms no part of the claimed design.

(56) **References Cited**

U.S. PATENT DOCUMENTS

D401,545 S *	11/1998	Sacco et al.	D12/192
D474,137 S *	5/2003	Wyszogrod	D12/192
D494,909 S *	8/2004	Pfeiffer	D12/192
D503,367 S *	3/2005	Pfeiffer	D12/192

1 Claim, 2 Drawing Sheets



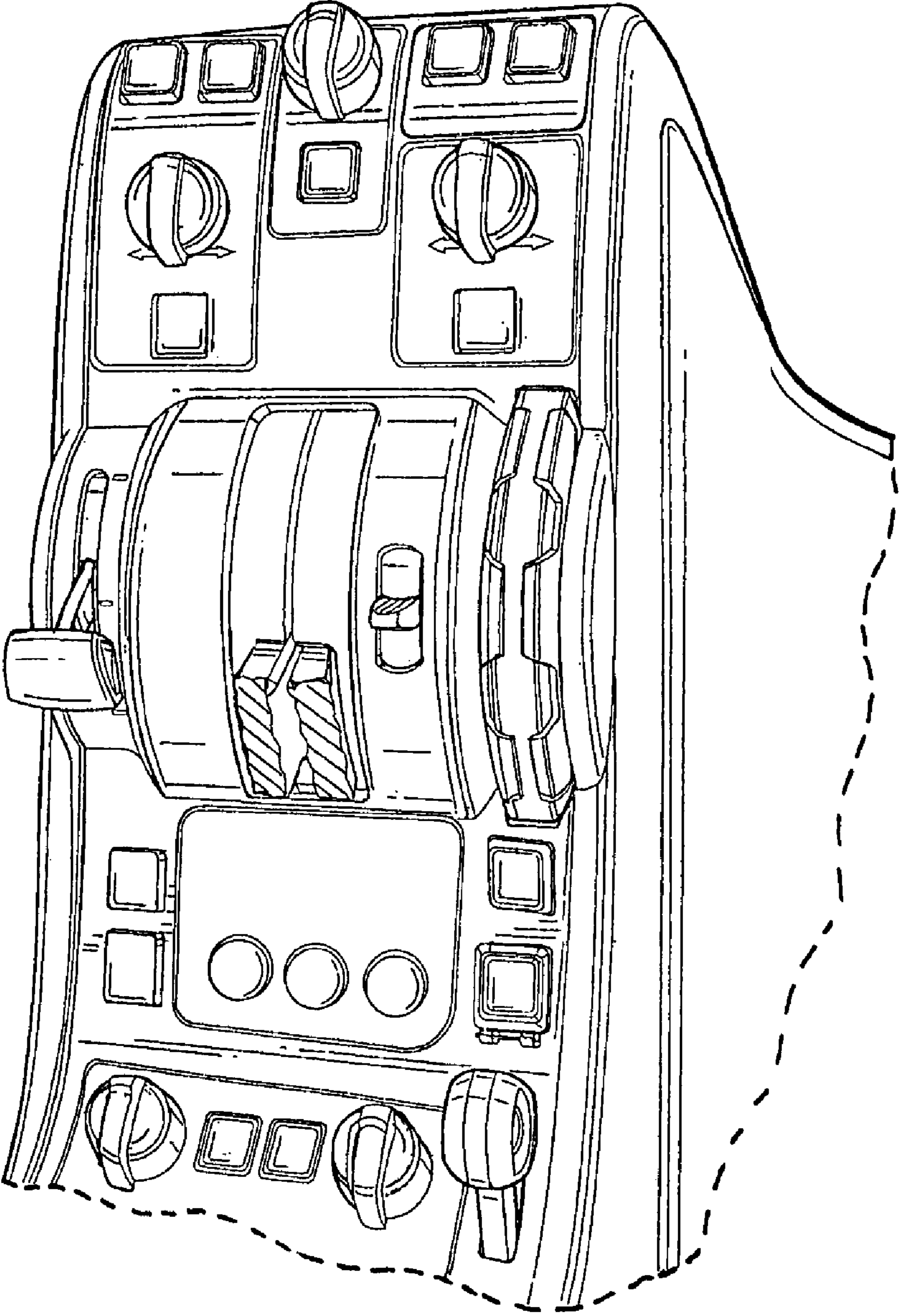


FIG. 1

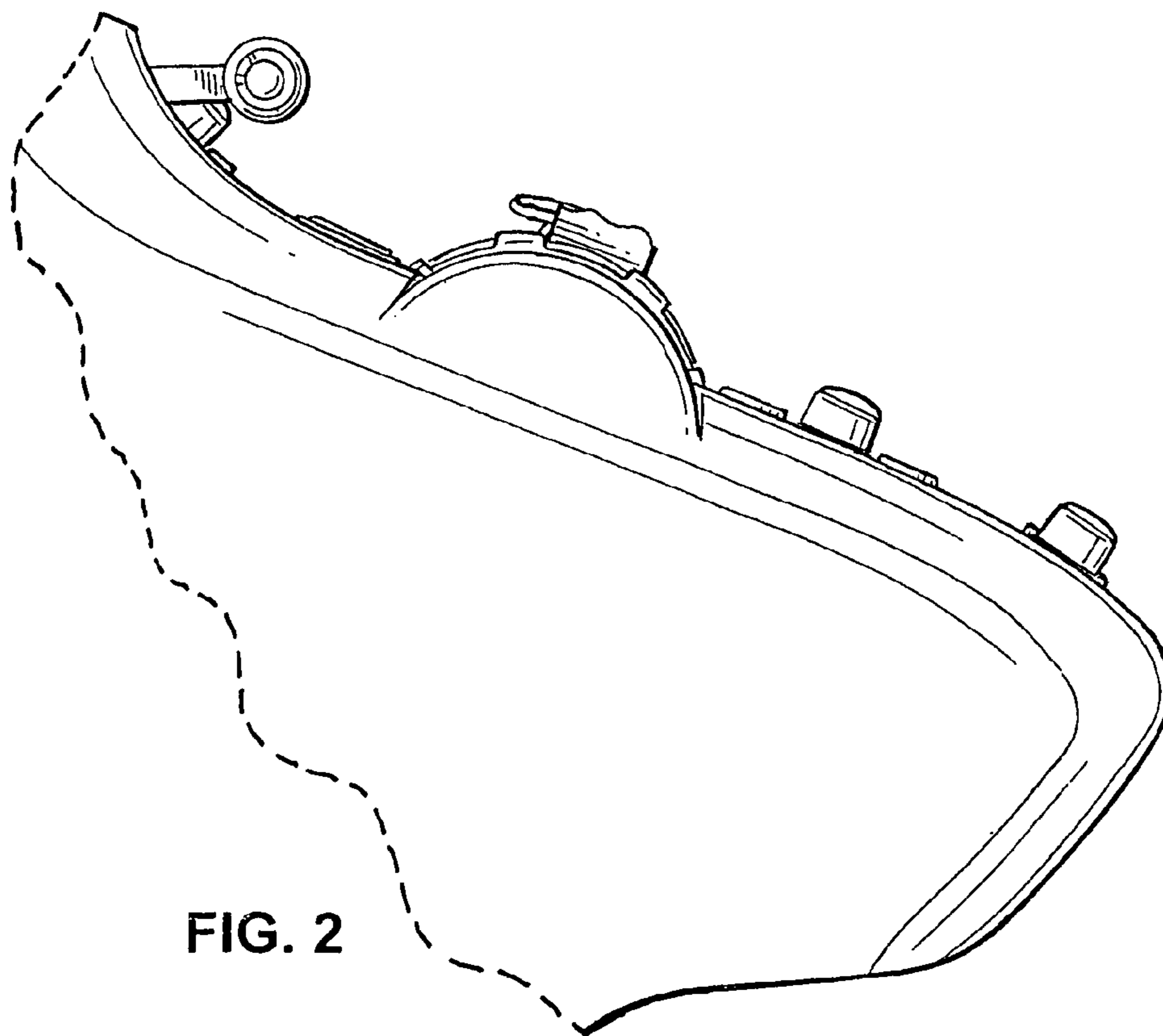


FIG. 2

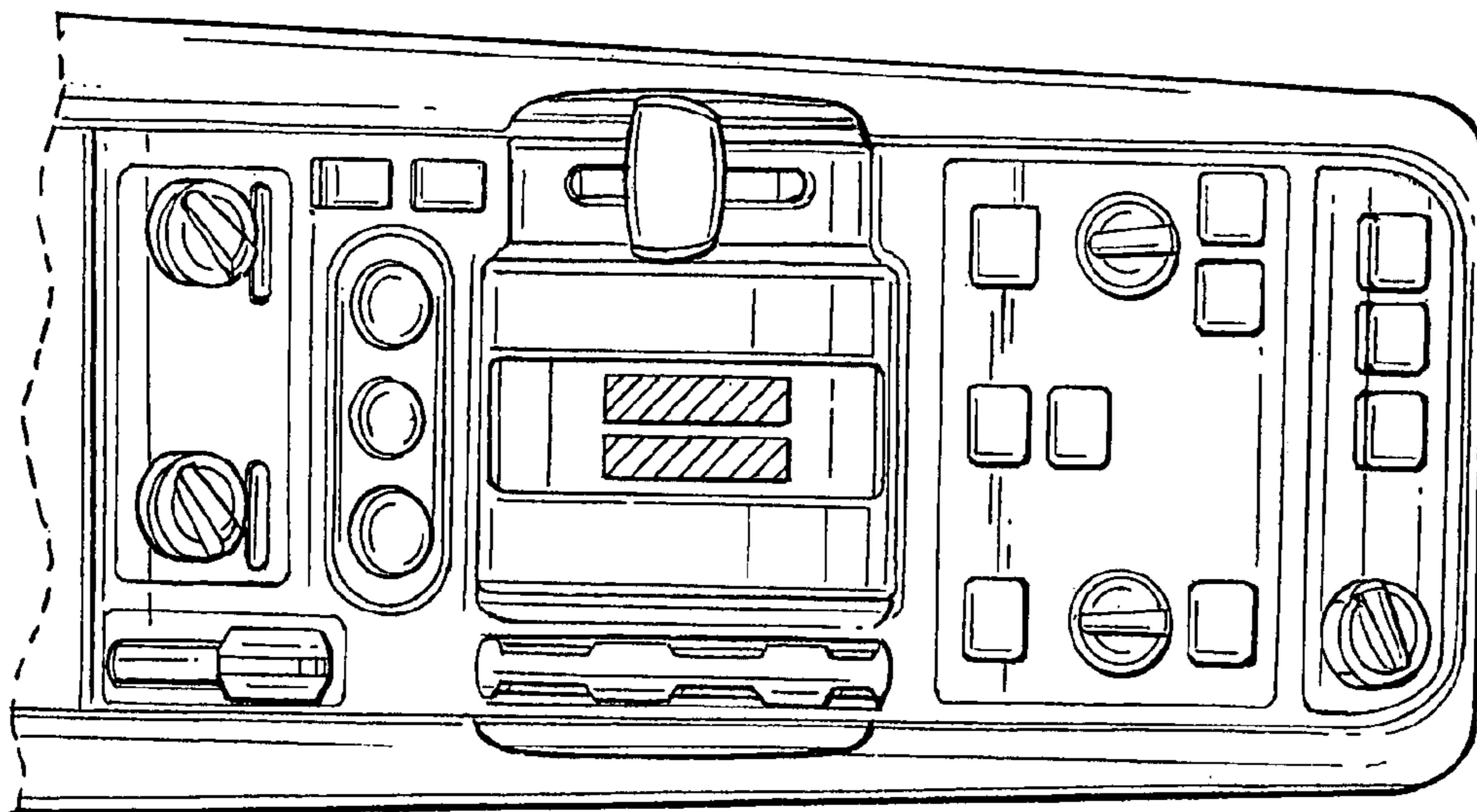


FIG. 3

UNITED STATES PATENT AND TRADEMARK OFFICE
CERTIFICATE OF CORRECTION

PATENT NO. : Des. 575,212 S
APPLICATION NO. : 29/295093
DATED : August 19, 2008
INVENTOR(S) : Tsay et al.

Page 1 of 1

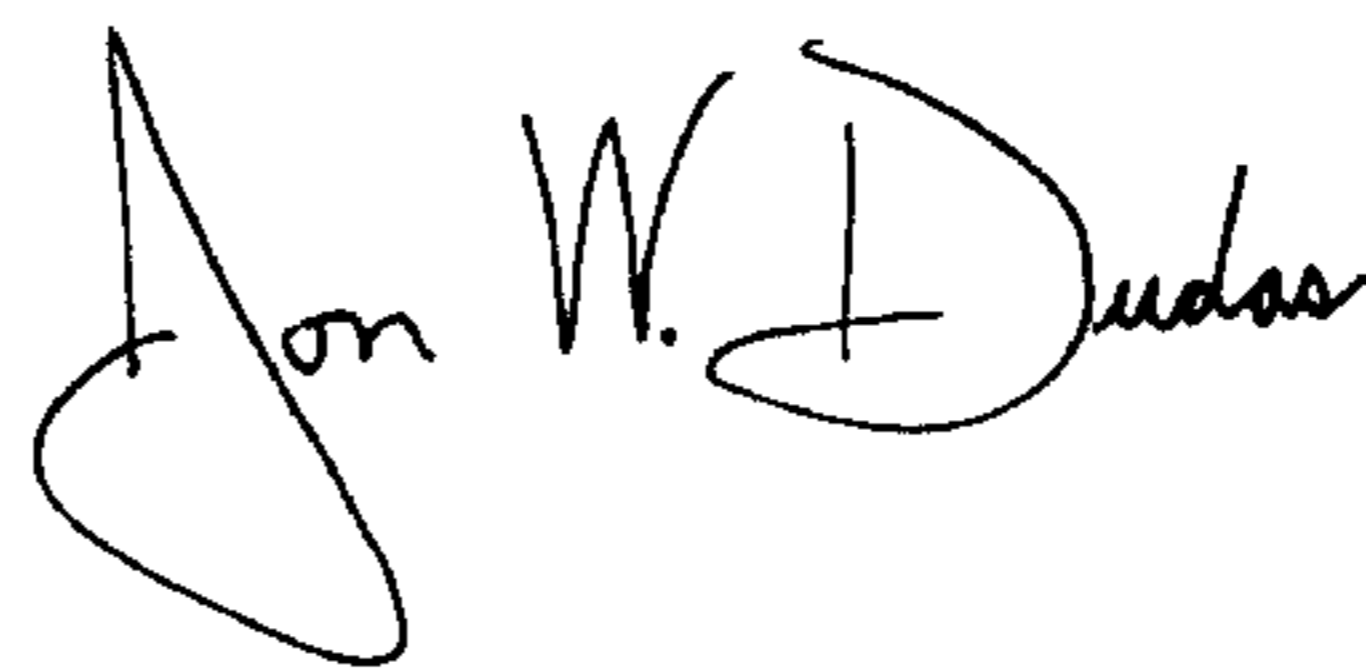
It is certified that error appears in the above-identified patent and that said Letters Patent is hereby corrected as shown below:

Title Page,

Item (74) Attorney, Agent, or Firm: "Mike E. Duell" should be --Mark E. Duell--

Signed and Sealed this

Second Day of December, 2008

A handwritten signature in black ink that reads "Jon W. Dudas". The signature is written in a cursive style with a large initial 'J'.

JON W. DUDAS
Director of the United States Patent and Trademark Office