



US00D575208S

(12) **United States Design Patent**  
**Shelby**

(10) **Patent No.:** **US D575,208 S**

(45) **Date of Patent:** **\*\* Aug. 19, 2008**

(54) **AUTOMOBILE HOOD**

D499,992 S \* 12/2004 Chan ..... D12/173  
D508,665 S \* 8/2005 Chan ..... D12/173

(76) Inventor: **Carroll Hall Shelby**, 11080 W. Olympic Blvd., Suite 1050, Los Angeles, CA (US) 90064-1937

\* cited by examiner

*Primary Examiner*—Melody N Brown  
(74) *Attorney, Agent, or Firm*—Edward A. Sokolski

(\*\*) Term: **14 Years**

(57) **CLAIM**

(21) Appl. No.: **29/292,703**

The ornamental design for an automobile hood, as shown and described.

(22) Filed: **Oct. 23, 2007**

(51) **LOC (8) Cl.** ..... **12-16**

**DESCRIPTION**

(52) **U.S. Cl.** ..... **D12/173**

FIG. 1 is a top, front perspective view of an automobile hood showing my new design;

(58) **Field of Classification Search** ..... D12/173, D12/196, 86, 90-92; 180/69.21, 69.2, 69.22  
See application file for complete search history.

FIG. 2 is a top rear perspective view thereof;

FIG. 3 is a top plan view thereof;

(56) **References Cited**

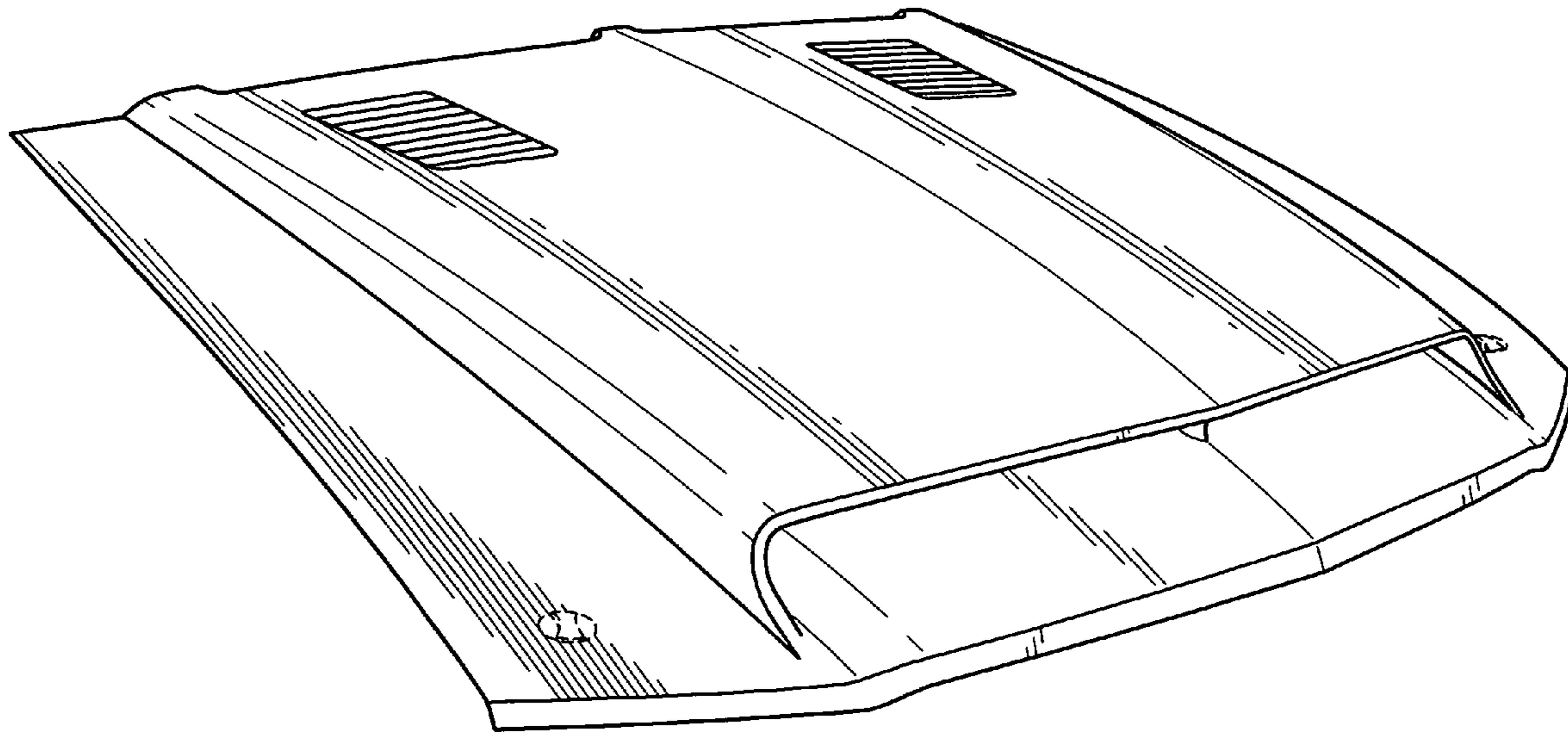
FIG. 4 is a front perspective view thereof; and,

FIG. 5 is a side perspective view thereof.

**U.S. PATENT DOCUMENTS**

D399,463 S \* 10/1998 Grabo et al. .... D12/173  
D399,464 S \* 10/1998 Grabo et al. .... D12/173

**1 Claim, 3 Drawing Sheets**



**FIG. 1**

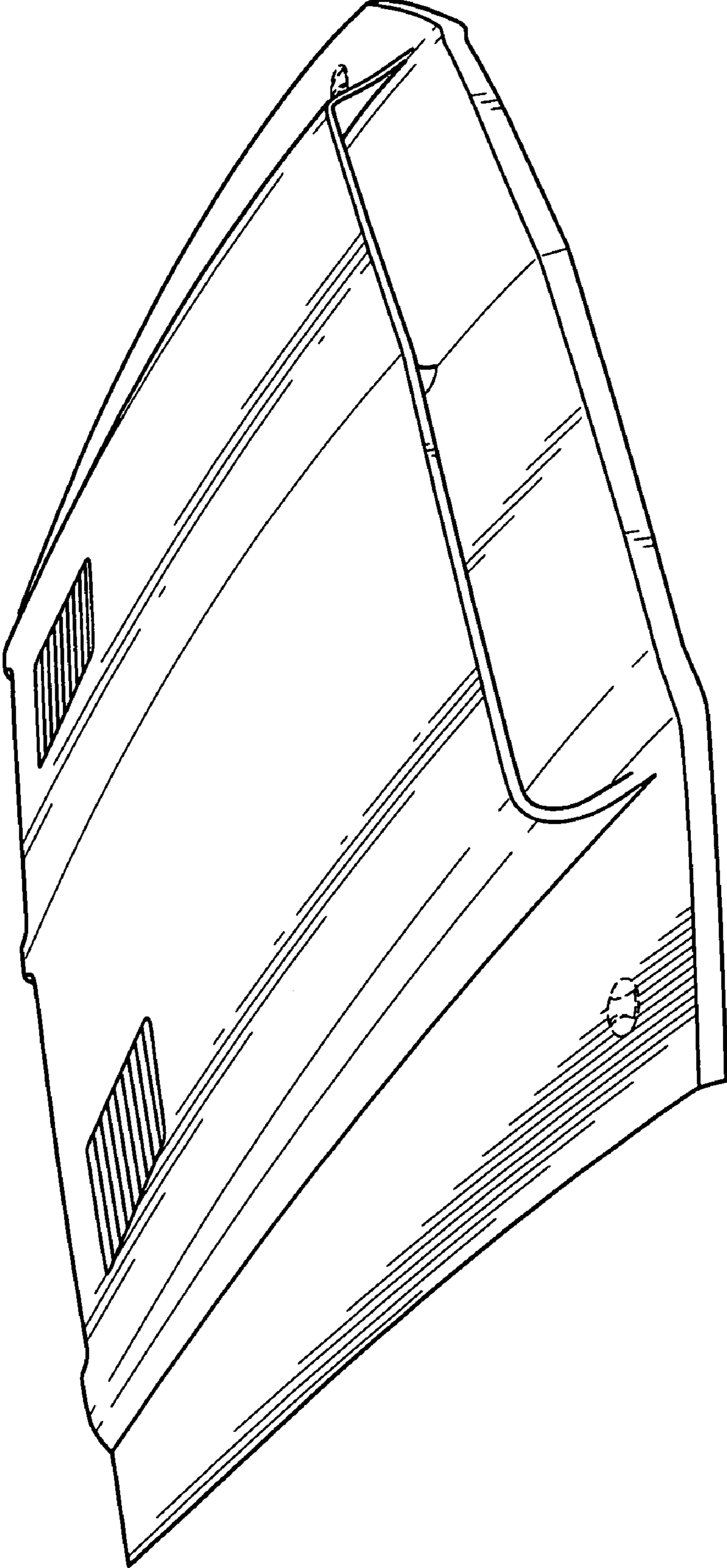
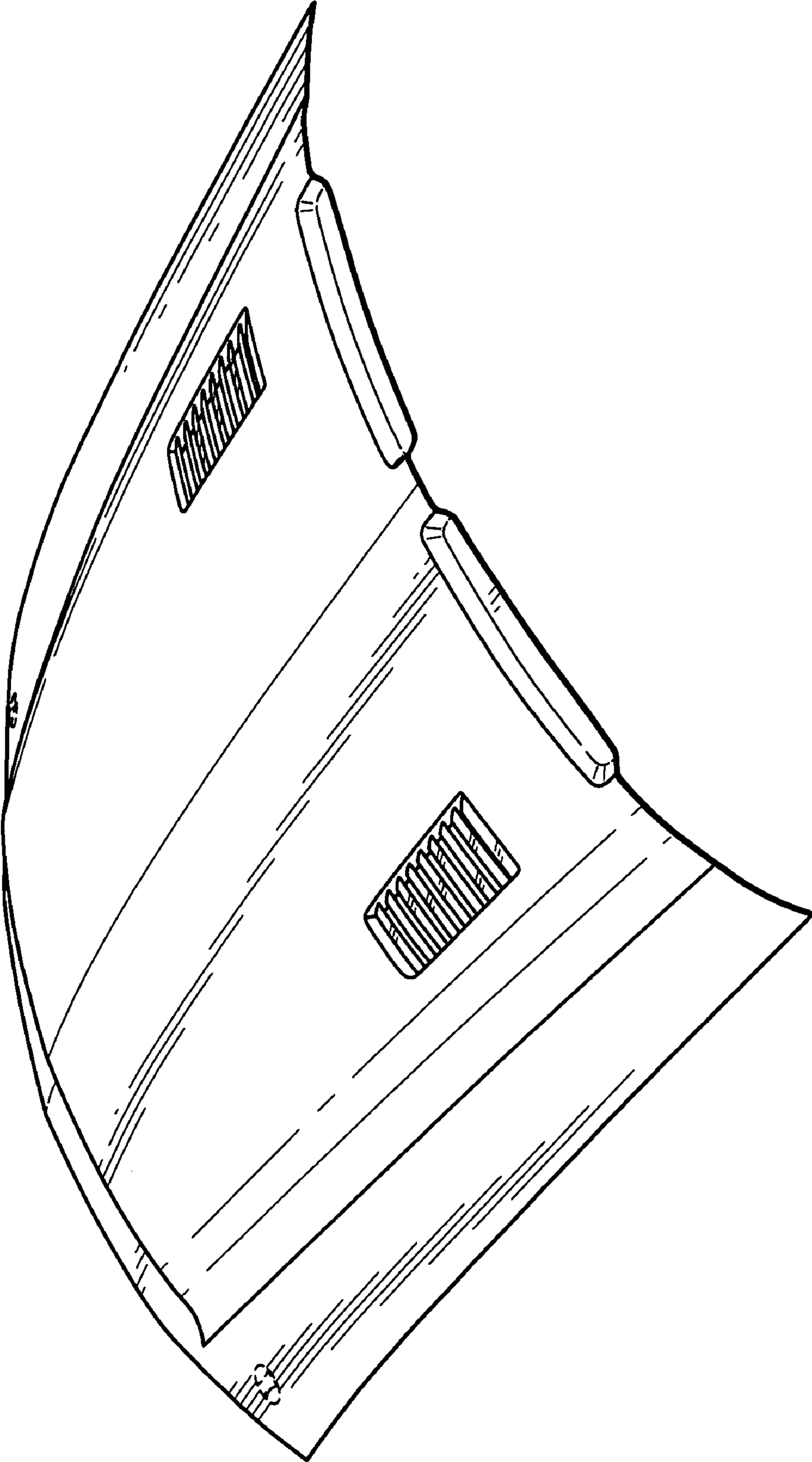
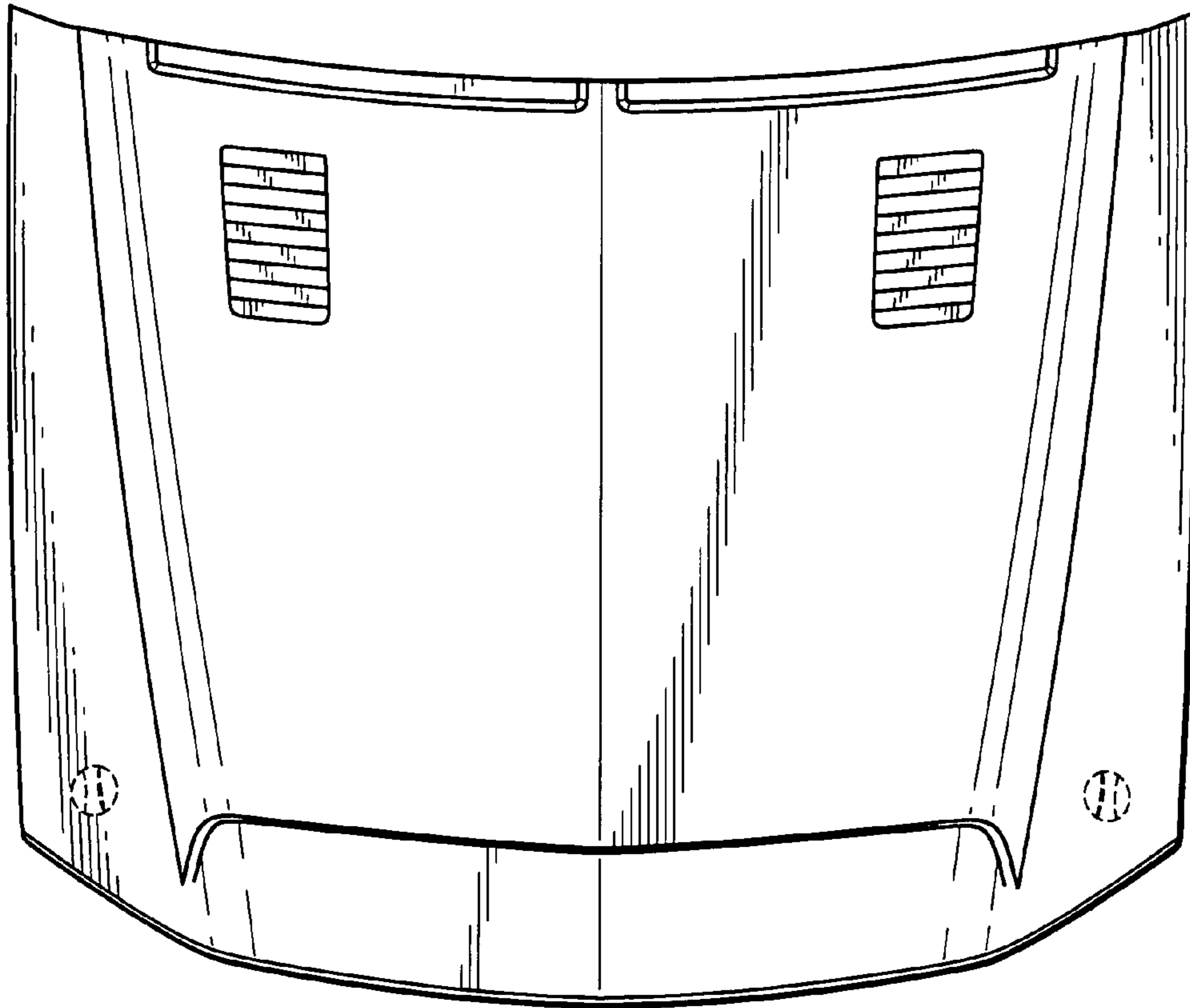


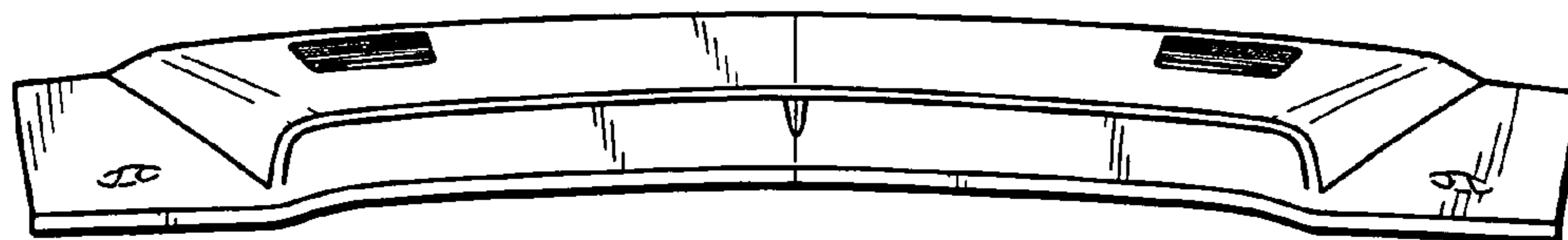
FIG. 2



**FIG. 3**



**FIG. 4**



**FIG. 5**

