



US00D575206S

(12) **United States Design Patent**
Shelby

(10) **Patent No.:** **US D575,206 S**

(45) **Date of Patent:** **** Aug. 19, 2008**

(54) **AUTOMOBILE HOOD**

(76) **Inventor:** **Carroll Hall Shelby**, 11080 W. Olympic Blvd., Suite 1050, Los Angeles, CA (US) 90064-1937

(**) **Term:** **14 Years**

(21) **Appl. No.:** **29/292,682**

(22) **Filed:** **Oct. 23, 2007**

(51) **LOC (8) Cl.** **12-16**

(52) **U.S. Cl.** **D12/173**

(58) **Field of Classification Search** D12/173, D12/196, 86, 90-92; 180/69.21, 69.2, 69.22
See application file for complete search history.

(56) **References Cited**

U.S. PATENT DOCUMENTS

- D399,463 S * 10/1998 Grabo et al. D12/173
- D399,464 S * 10/1998 Grabo et al. D12/173
- D478,301 S * 8/2003 Chiang D12/173
- D499,992 S * 12/2004 Chan D12/173

- D508,665 S * 8/2005 Chan D12/173
- D510,305 S * 10/2005 Chiang D12/173
- D512,004 S * 11/2005 Hutchins D12/173
- D548,152 S * 8/2007 Chiang D12/173

* cited by examiner

Primary Examiner—Melody N Brown

(74) *Attorney, Agent, or Firm*—Edward A. Sokolski

(57) **CLAIM**

The ornamental design for an automobile hood, as shown and described.

DESCRIPTION

FIG. 1 is a top, front perspective view of an automobile hood showing my new design;

FIG. 2 is a top rear perspective view thereof;

FIG. 3 is a top plan view thereof;

FIG. 4 is a front perspective view thereof; and,

FIG. 5 is a side perspective view thereof;

1 Claim, 3 Drawing Sheets

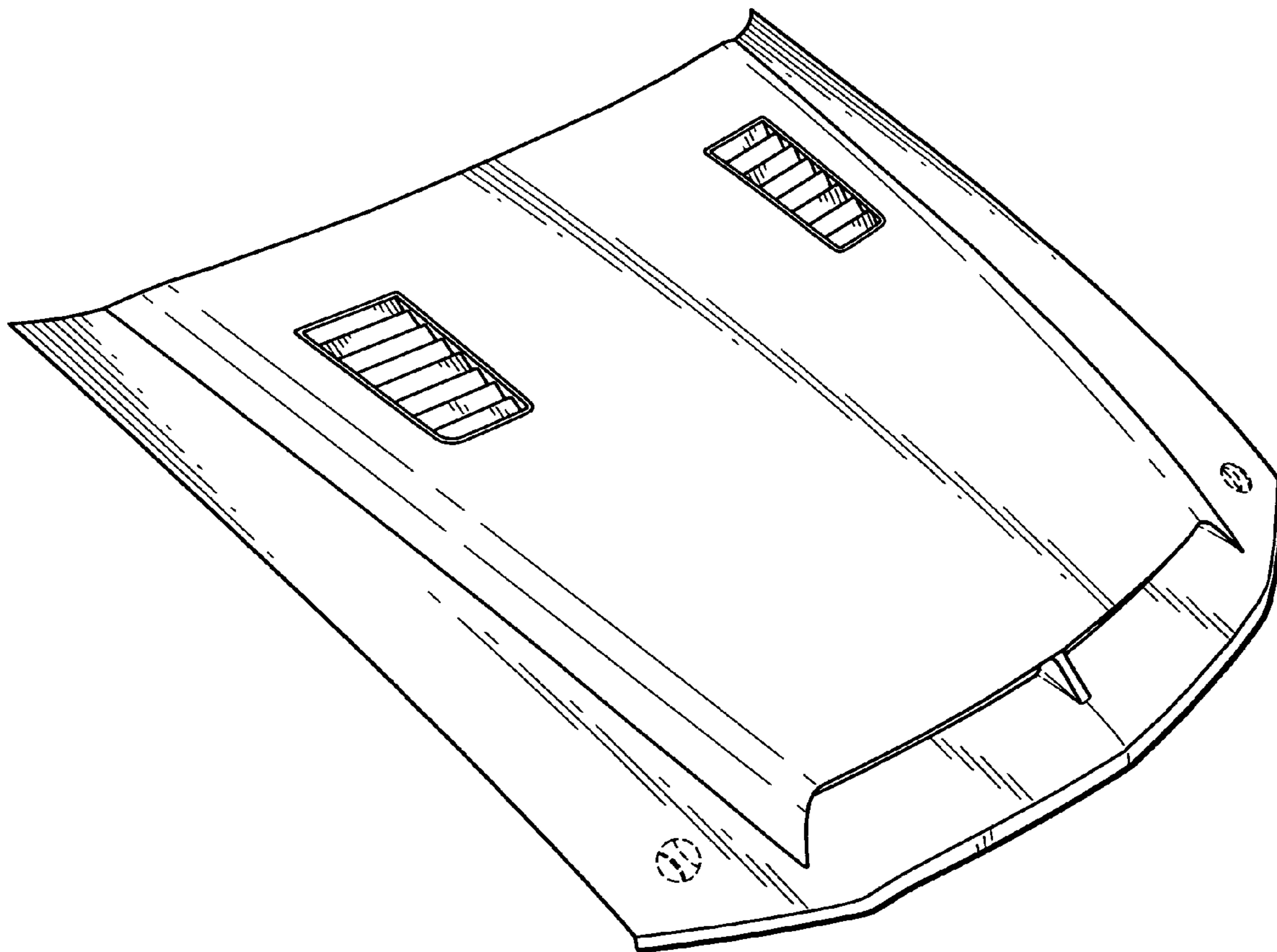


FIG. 1

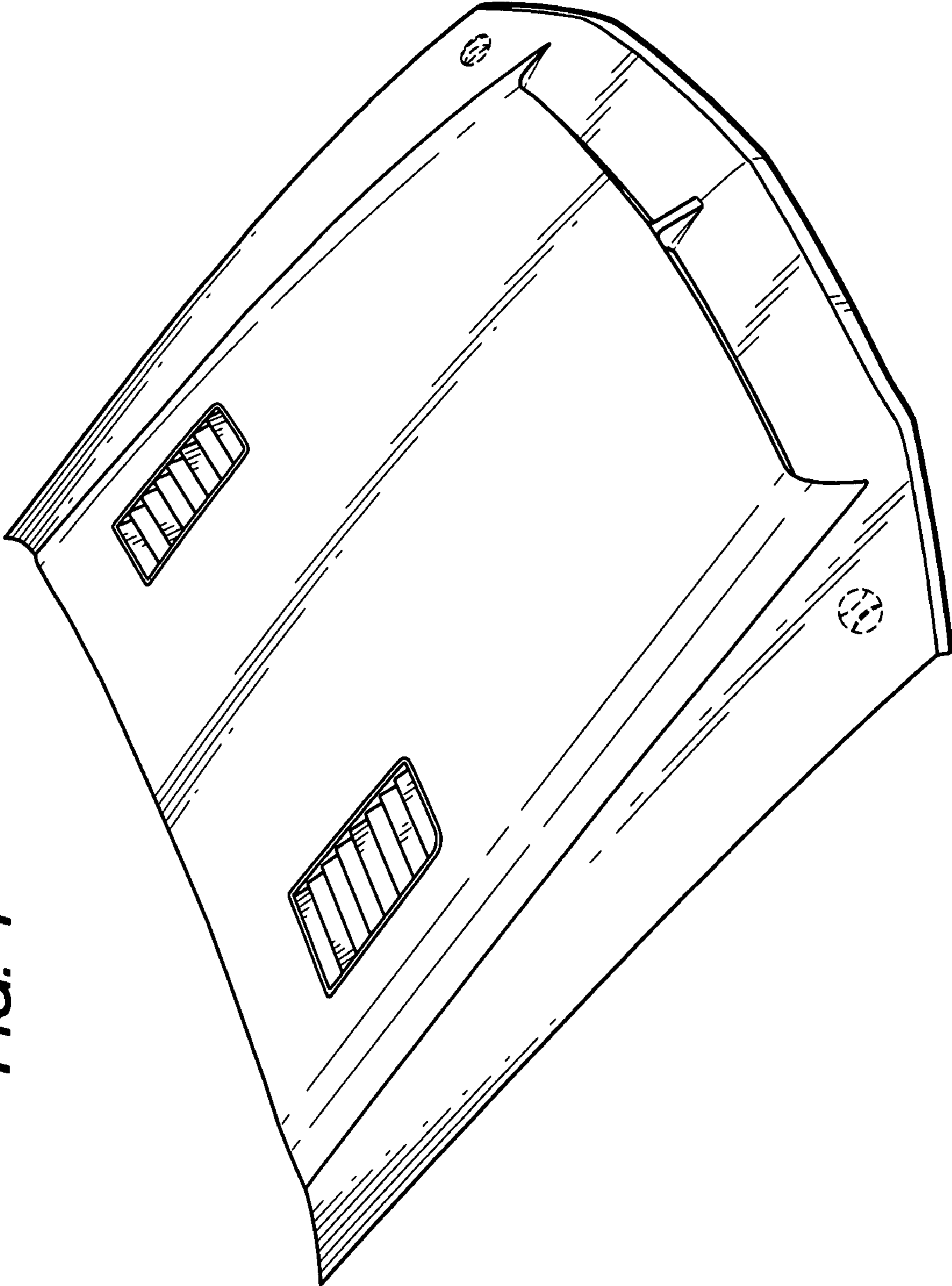


FIG. 2

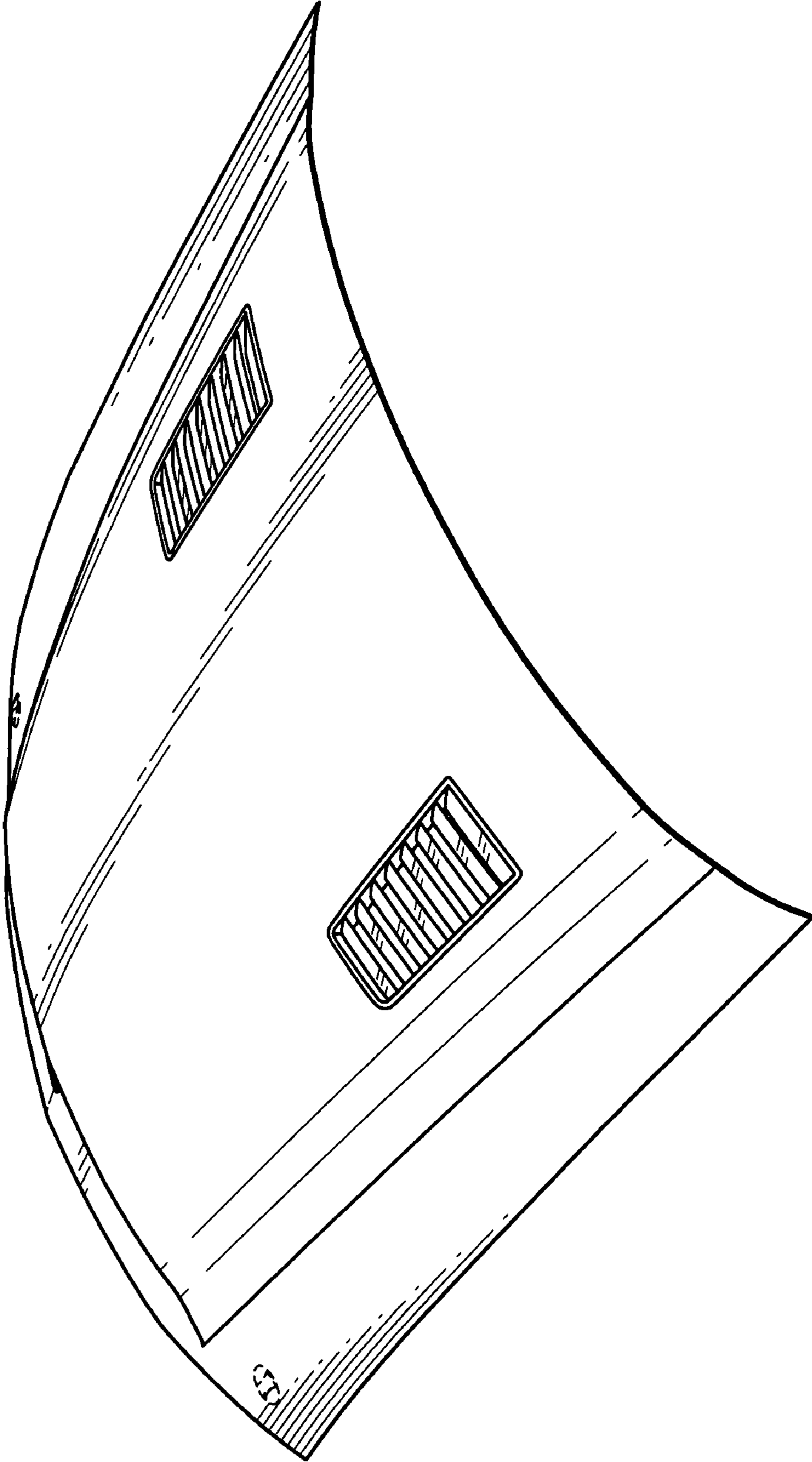


FIG. 3

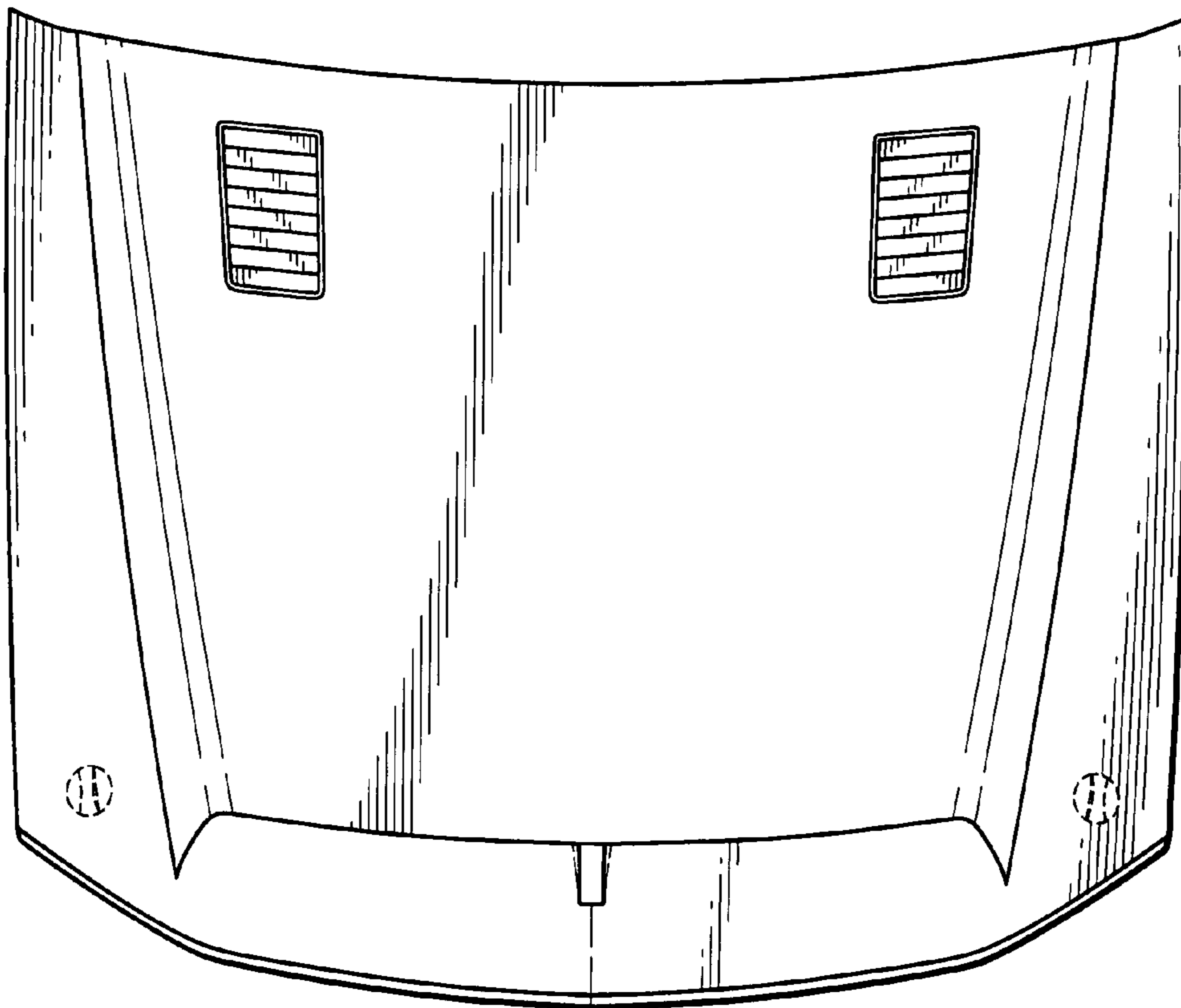


FIG. 4

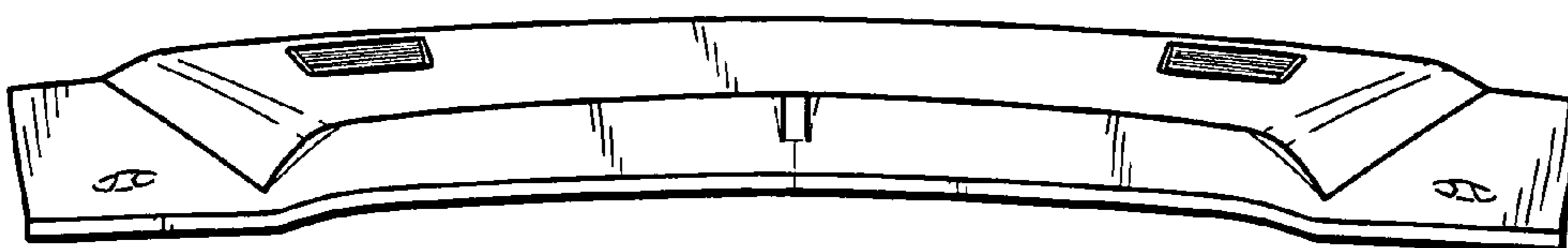


FIG. 5

