



US00D575204S

(12) **United States Design Patent**  
**Nakajima**

(10) **Patent No.:** **US D575,204 S**

(45) **Date of Patent:** **\*\* Aug. 19, 2008**

(54) **RADIATOR GRILLE FOR VEHICLE**

(75) Inventor: **Takeshi Nakajima**, Pforzheim (DE)

(73) Assignee: **Nissan Motor Co., Ltd.**, Yokohama-shi (JP)

(\*\*) Term: **14 Years**

(21) Appl. No.: **29/264,495**

(22) Filed: **Aug. 11, 2006**

(51) **LOC (8) Cl.** ..... **12-16**

(52) **U.S. Cl.** ..... **D12/163**

(58) **Field of Classification Search** ..... D12/90-92,  
D12/163, 164, 166, 167, 170, 171, 173, 216;  
180/68.1, 68.6; 296/193.1, 193.11

See application file for complete search history.

(56) **References Cited**

**U.S. PATENT DOCUMENTS**

D471,846 S *	3/2003	Pfeiffer et al.	.....	D12/163
D519,890 S *	5/2006	Sakae	.....	D12/163
D524,198 S *	7/2006	Fukuda et al.	.....	D12/163
D524,199 S *	7/2006	Fukuda et al.	.....	D12/163
D525,177 S *	7/2006	Kitazumi	.....	D12/163
D526,941 S *	8/2006	Yamashita	.....	D12/163
D533,119 S *	12/2006	Schiavone et al.	.....	D12/163

D535,224 S *	1/2007	Kubota et al.	.....	D12/163
D539,196 S *	3/2007	Pfeiffer	.....	D12/163
D539,709 S *	4/2007	Woodhouse et al.	.....	D12/163
D541,707 S *	5/2007	Komuro	.....	D12/163
D547,705 S *	7/2007	Marchese et al.	.....	D12/163
D557,184 S *	12/2007	Janik	.....	D12/163
D558,103 S *	12/2007	Bucher et al.	.....	D12/163
D558,104 S *	12/2007	Hieke	.....	D12/163

\* cited by examiner

*Primary Examiner*—Sandra Snapp

(74) *Attorney, Agent, or Firm*—Foley & Lardner LLP

(57) **CLAIM**

The ornamental design for a radiator grille for vehicle, as shown and described.

**DESCRIPTION**

FIG. 1 is a perspective view of a radiator grille for vehicle;  
FIG. 2 is a front view thereof;  
FIG. 3 is a rear view thereof;  
FIG. 4 is a top plan view thereof;  
FIG. 5 is a bottom plan view thereof; and,  
FIG. 6 is a right side view thereof, a left side view being a mirror image of a right side view.

**1 Claim, 6 Drawing Sheets**

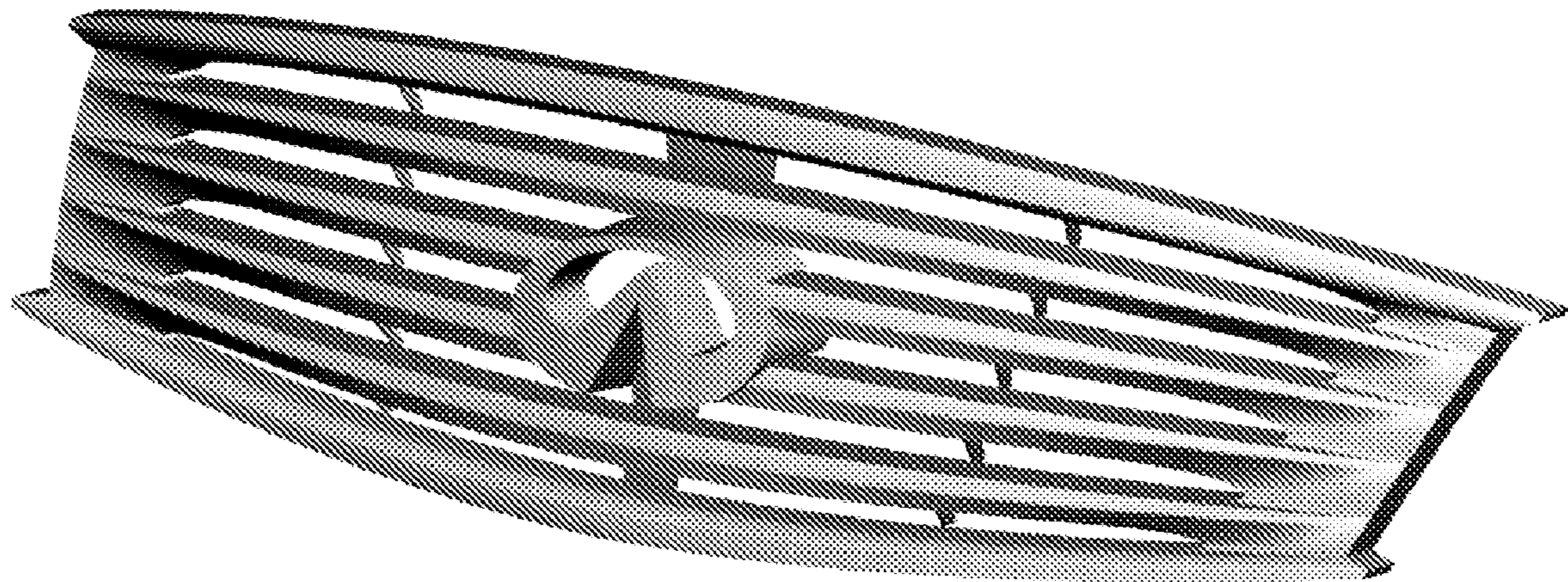


Fig.1

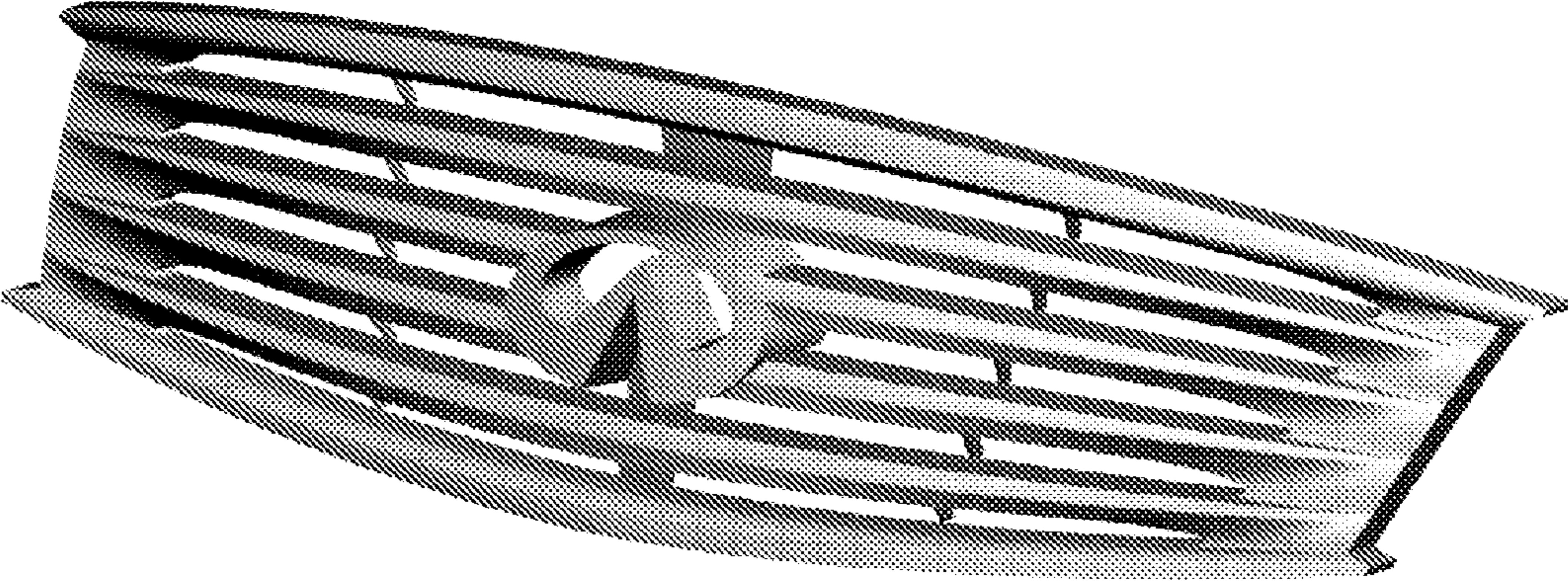


Fig.2

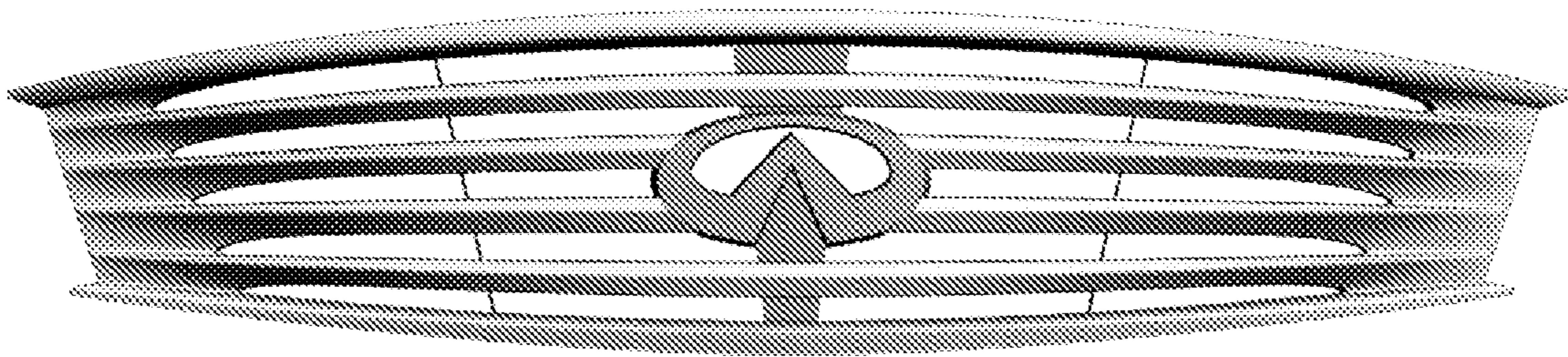


Fig.3

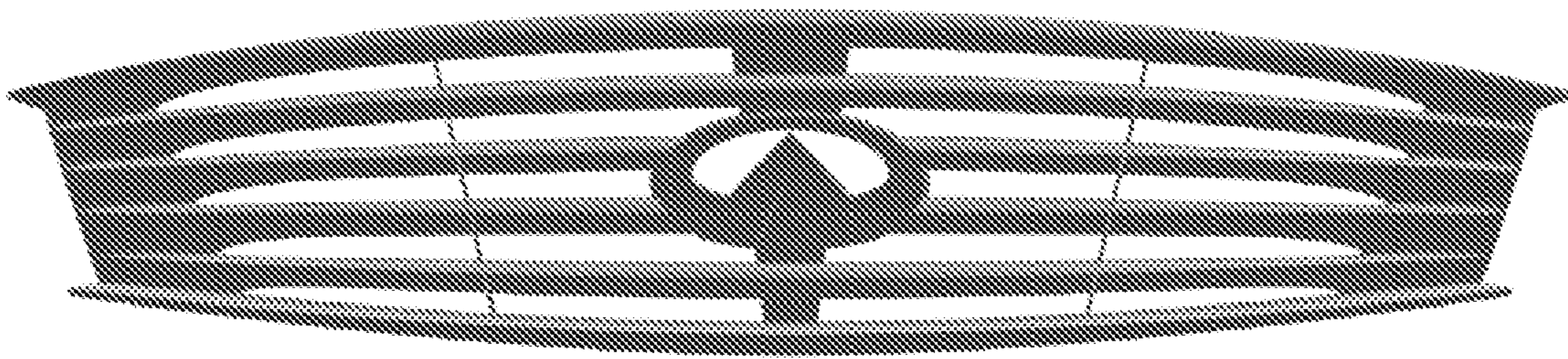


Fig.4

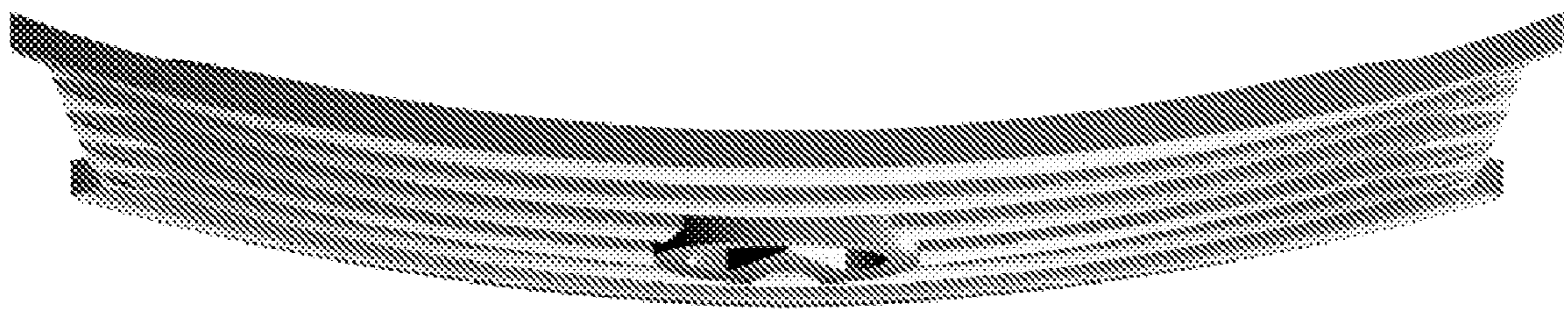


Fig.5



Fig. 6

