



US00D575197S

(12) **United States Design Patent**
Whitby

(10) **Patent No.:** **US D575,197 S**

(45) **Date of Patent:** **** Aug. 19, 2008**

(54) **ICE CREAM TRUCK**

(75) Inventor: **Stuart M. Whitby**, Cheshire (GB)

(73) Assignee: **Whitby Specialist Vehicles Ltd.**, Crewe,
Cheshire (GB)

(**) Term: **14 Years**

(21) Appl. No.: **29/261,389**

(22) Filed: **Jun. 12, 2006**

(51) **LOC (8) Cl.** **12-08**

(52) **U.S. Cl.** **D12/93**

(58) **Field of Classification Search** D12/93,
D12/99; 296/183.1; 180/89.16, 89.18, 89.19
See application file for complete search history.

(56) **References Cited**

U.S. PATENT DOCUMENTS

D262,531 S *	1/1982	Hanson	D12/99
D264,324 S *	5/1982	Cole	D12/99
D297,626 S *	9/1988	London et al.	D12/99
D419,921 S *	2/2000	Mishler	D12/99
D466,836 S *	12/2002	Kerouanton et al.	D12/93
D491,844 S *	6/2004	Poulin	D12/93

* cited by examiner

Primary Examiner—Melody N Brown

(74) *Attorney, Agent, or Firm*—Smith-Hill and Bedell

(57) **CLAIM**

The new and ornamental design for an ice cream truck, as shown and described.

DESCRIPTION

FIG. 1 is a front elevation of a first ice cream truck showing my new design,

FIG. 2 is a right side elevation thereof,

FIG. 3 is a left side elevation thereof,

FIG. 4 is a rear elevation thereof,

FIG. 5 is a left side elevation view of a second embodiment of an ice cream truck showing my new design, the left side being substantially a mirror image of the right side,

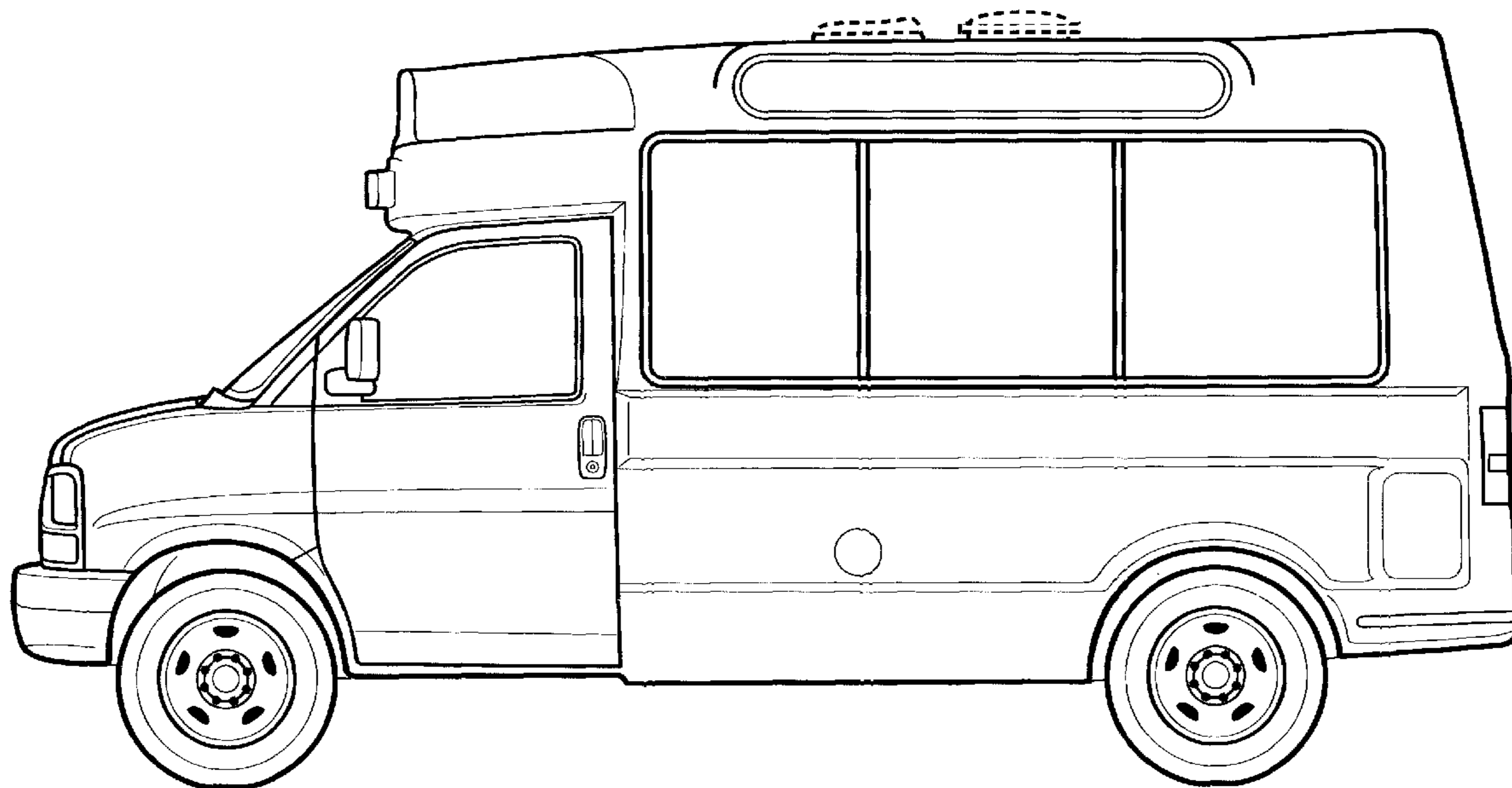
FIG. 6 is a left side elevation view of a third embodiment of an ice cream truck showing my new design, the right side elevation being substantially a mirror image as shown in FIG. 5; and,

FIG. 7 is a left side elevation view of a fourth embodiment of an ice cream truck showing my new design, the right side being substantially a mirror image of FIG. 5.

The top plan view of the ice cream truck is not shown and is not part of the claimed design.

The front and rear views of the second, third and fourth embodiments are the same as in the first embodiment.

1 Claim, 7 Drawing Sheets



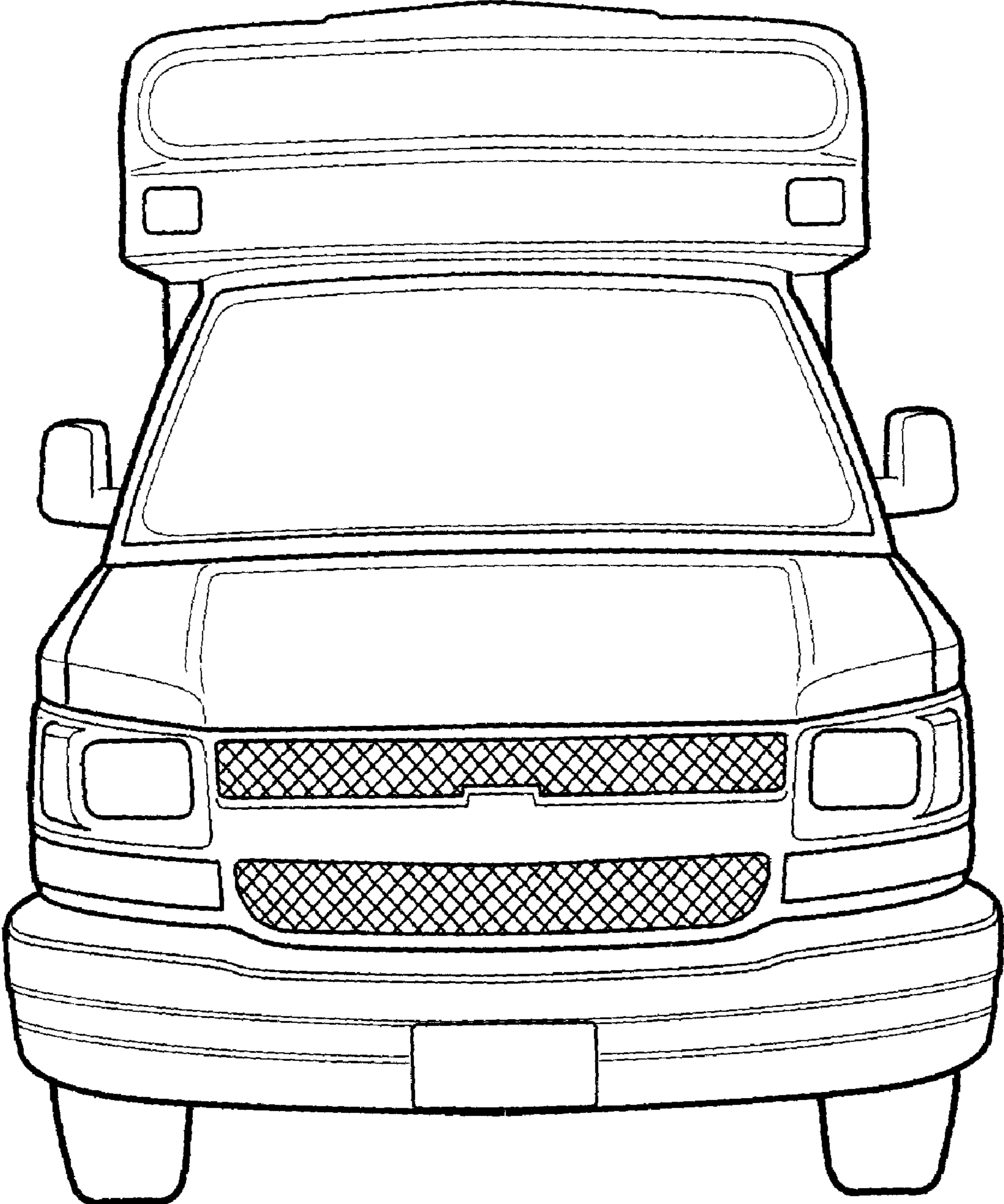


FIG. 1

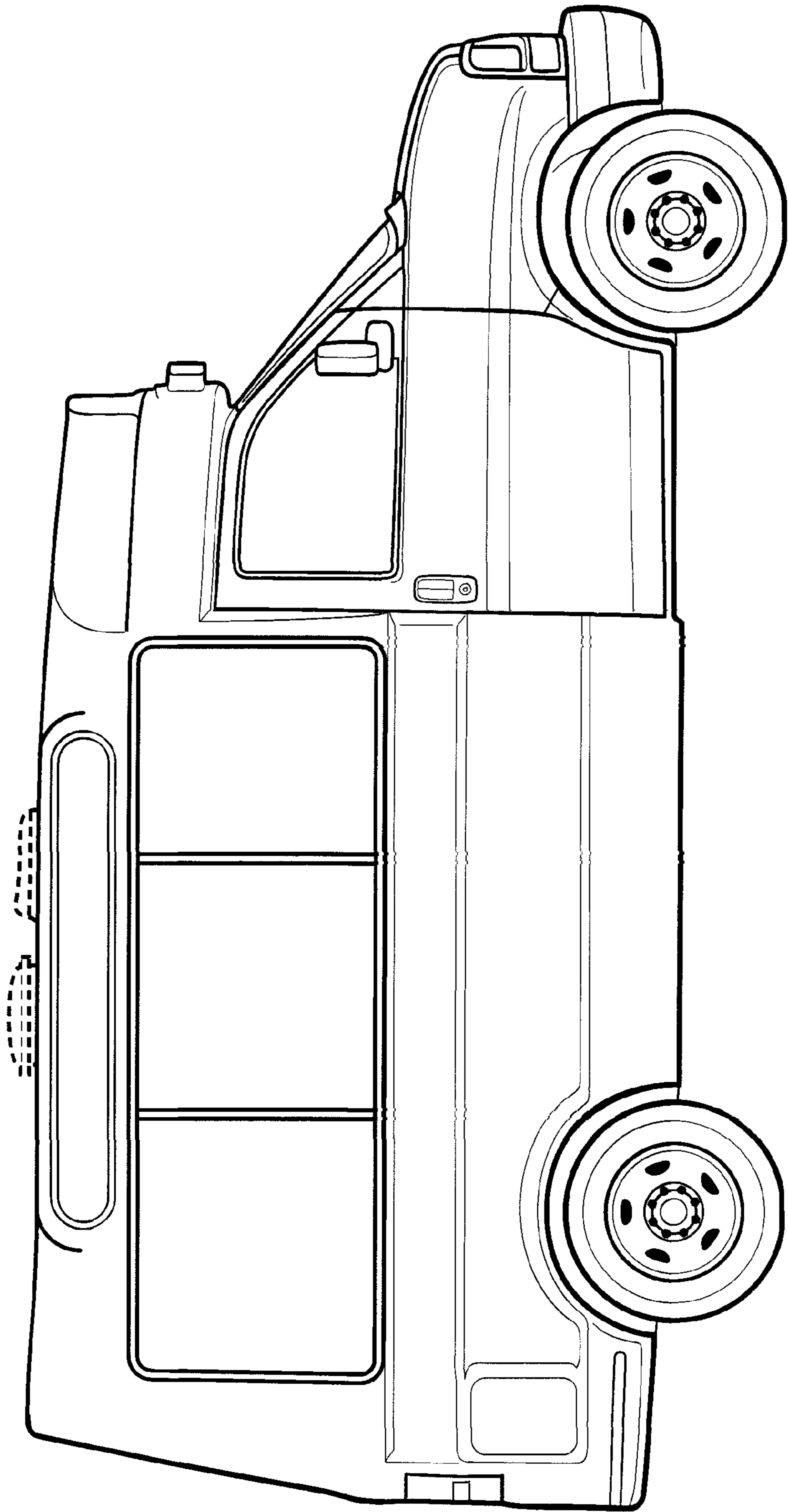


FIG. 2

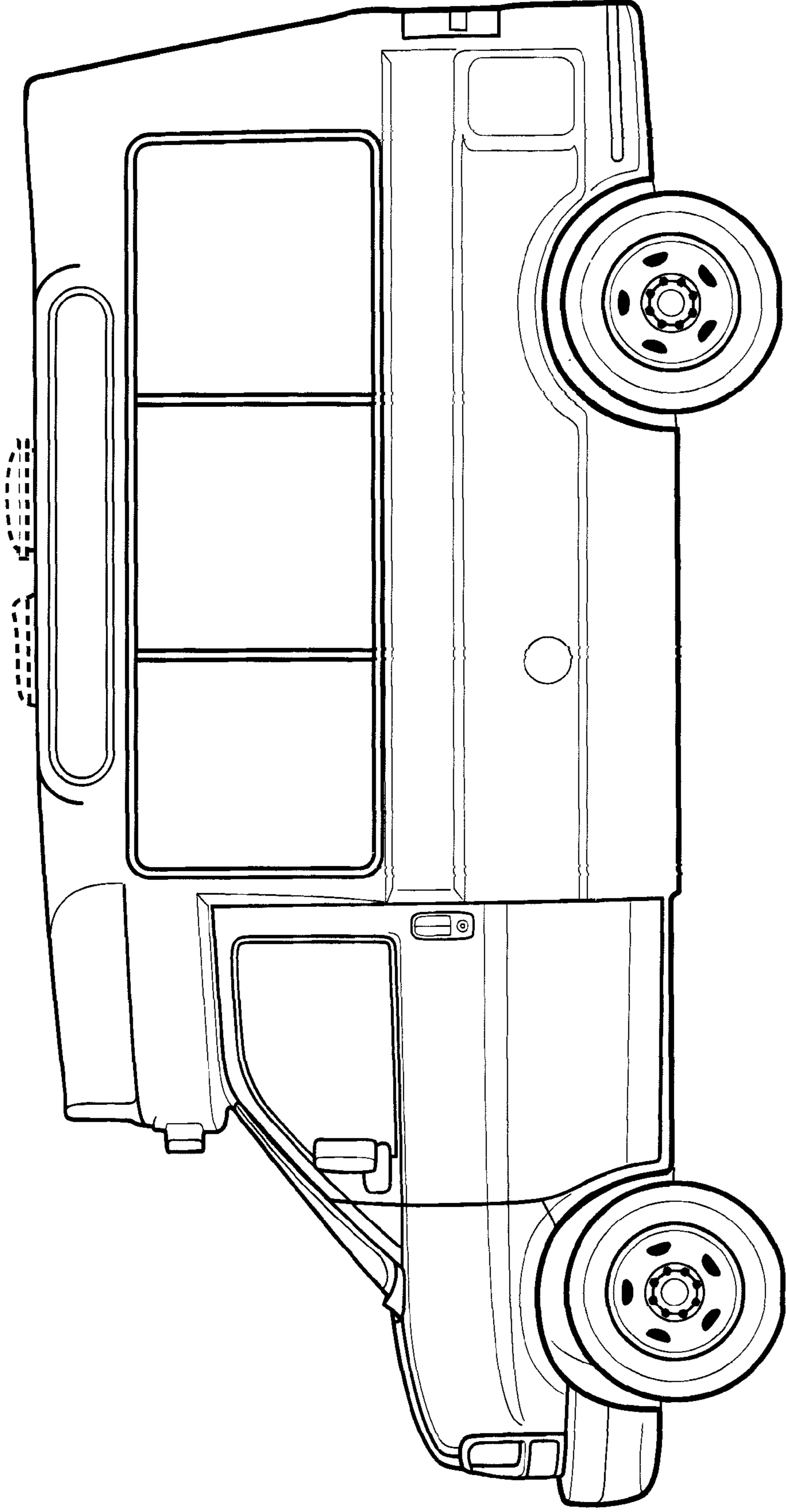


FIG. 3

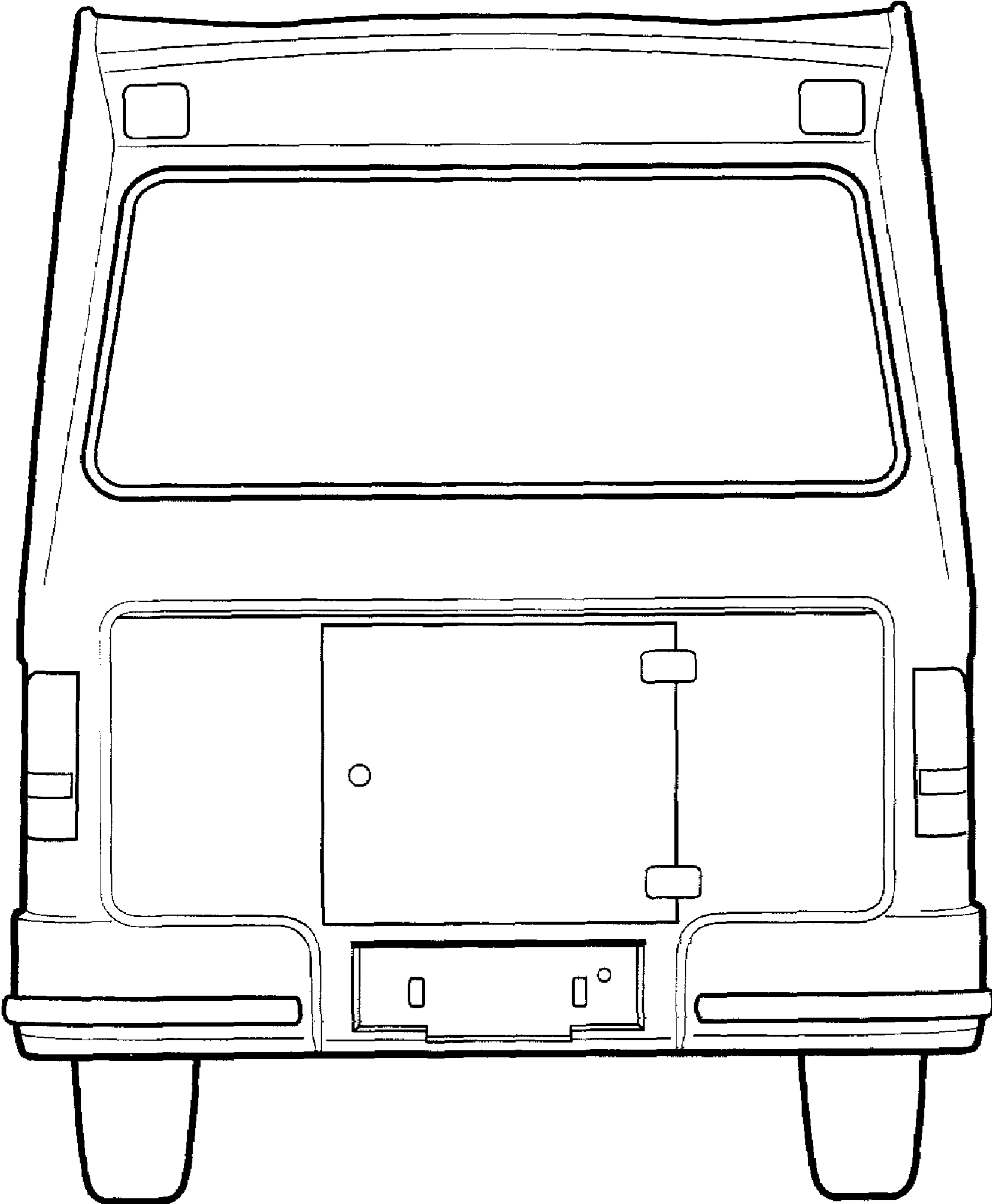


FIG. 4

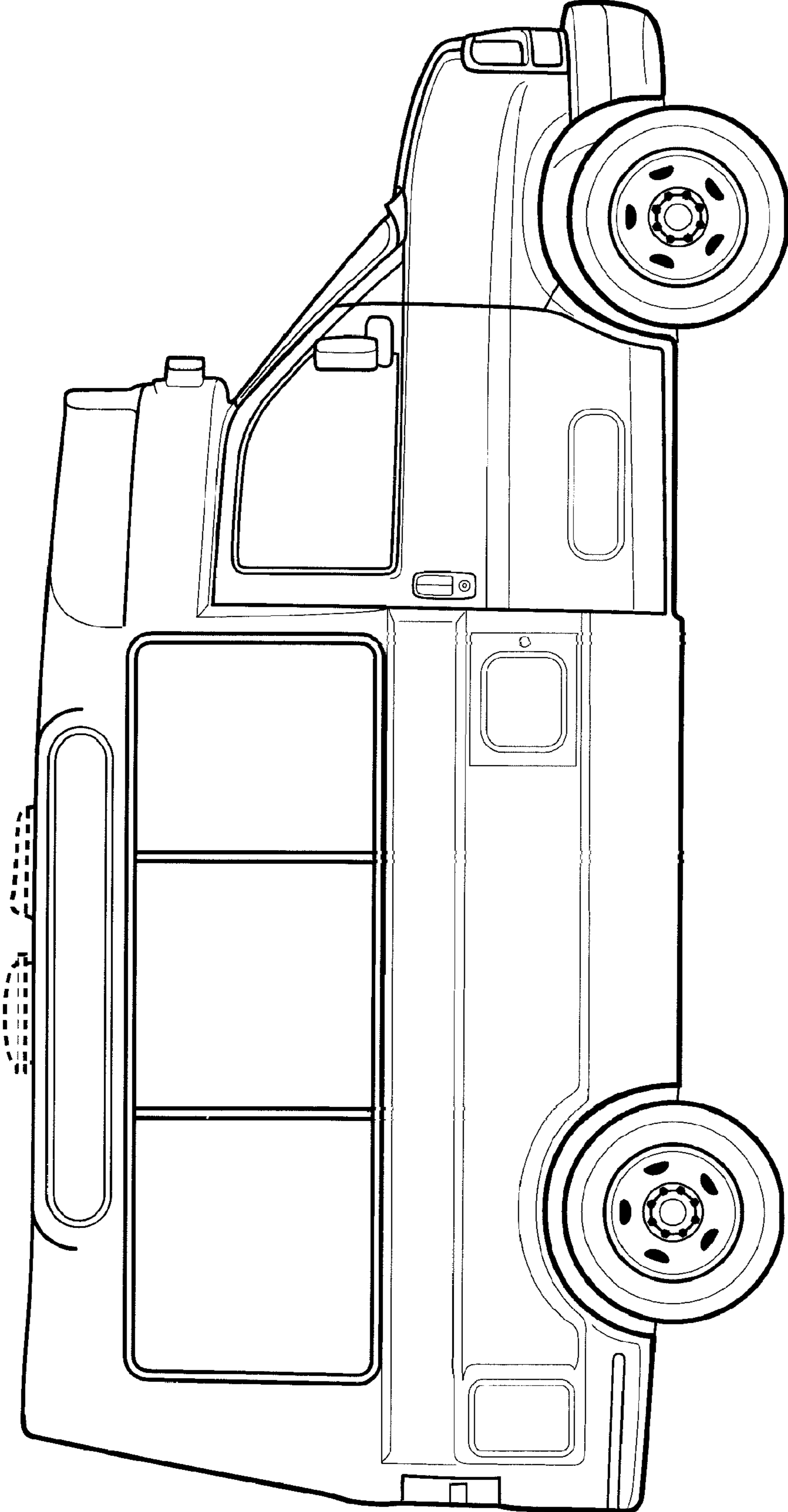


FIG. 5

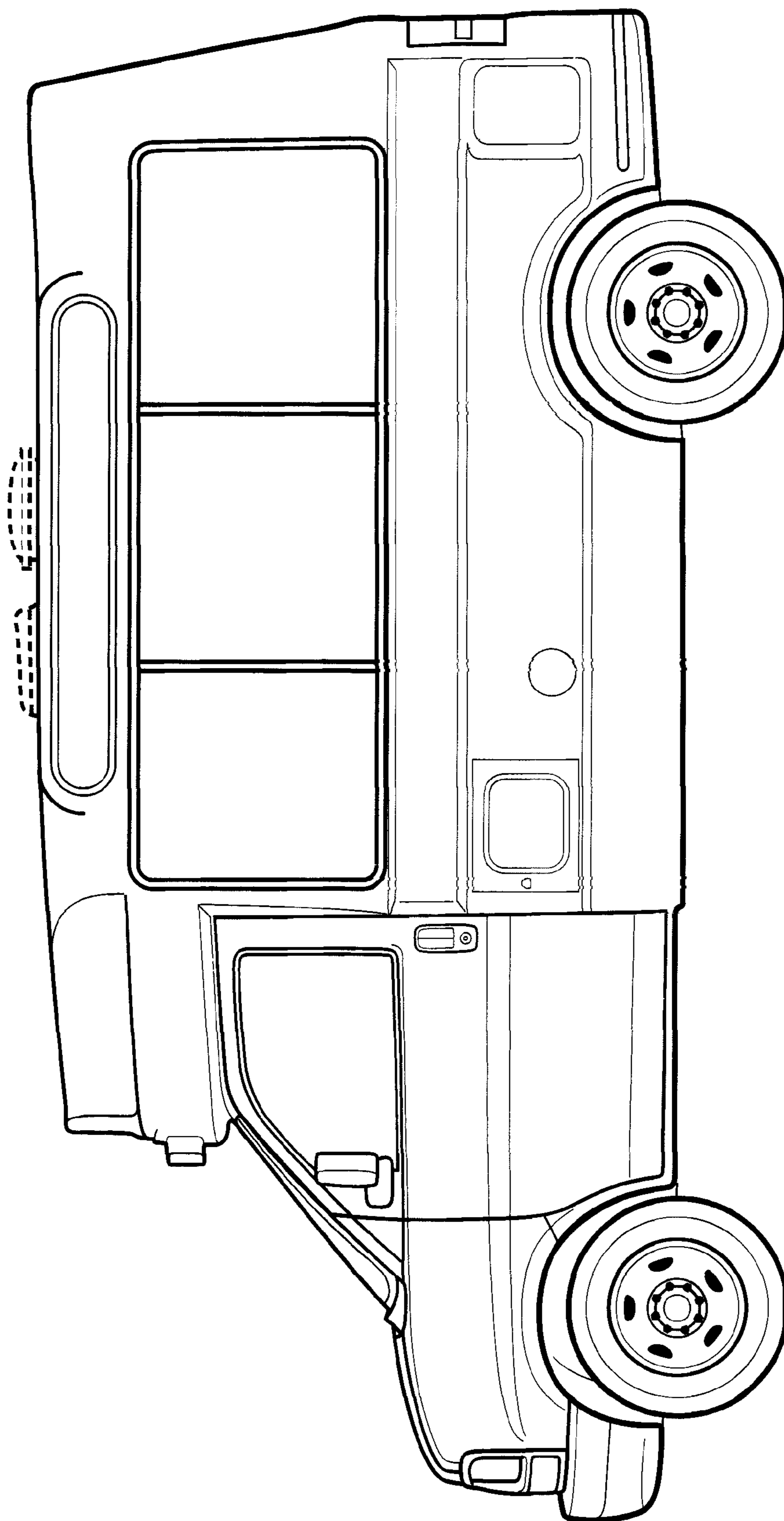


FIG. 6

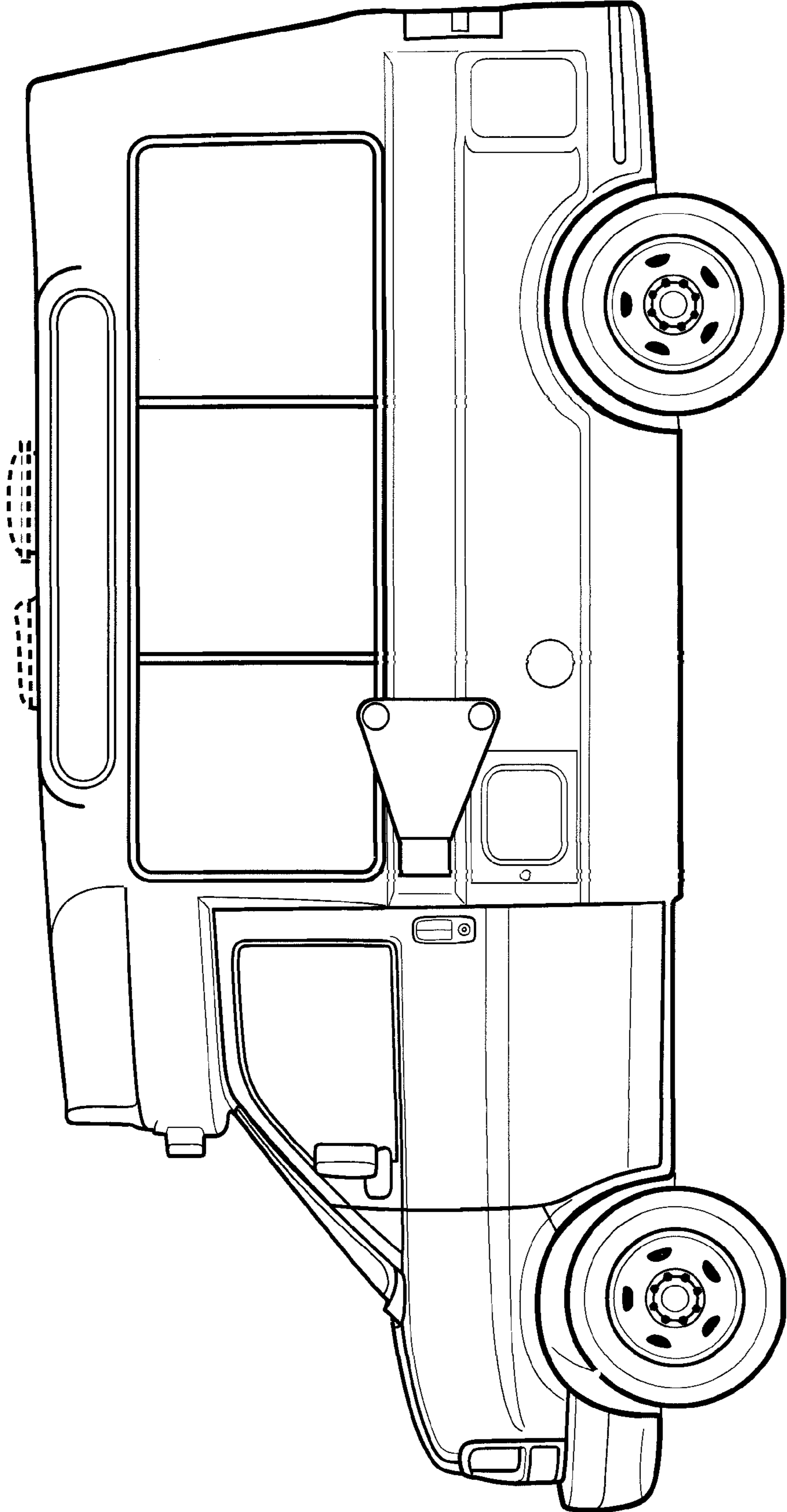


FIG. 7