



US00D575189S

(12) **United States Design Patent**  
**Fortin et al.**

(10) **Patent No.:** **US D575,189 S**

(45) **Date of Patent:** **\*\* Aug. 19, 2008**

(54) **TROPHY**

D512,940 S \* 12/2005 Petree, Jr. .... D11/131

\* cited by examiner

(75) Inventors: **Paul Fortin**, Montréal (CA); **Michiel Schriever**, Mill Valley, CA (US)

*Primary Examiner*—Louis S Zarfaz  
*Assistant Examiner*—Michelle E Wilson

(73) Assignee: **Hollywood Post Alliance, Inc.**, Los Angeles, CA (US)

(74) *Attorney, Agent, or Firm*—Jeffer Mangels Butler & Marmaro, LLP

(\*\*) Term: **14 Years**

(57) **CLAIM**

(21) Appl. No.: **29/278,415**

The ornamental design for a trophy, as shown and described.

(22) Filed: **Mar. 28, 2007**

**DESCRIPTION**

(51) **LOC (8) Cl.** ..... **11-02**

FIG. 1 is a perspective view of an embodiment of the present invention;

(52) **U.S. Cl.** ..... **D11/131**

FIG. 2 is a front elevational view of the embodiment of the present invention shown in FIG. 1;

(58) **Field of Classification Search** ..... D11/131,  
D11/133, 157; D6/470-472; 312/114; 428/542.2,  
428/542.4, 13

FIG. 3 is a right side elevational view of the embodiment of the present invention shown in FIG. 1; where the left elevational view is a mirror image thereof;

See application file for complete search history.

FIG. 4 is a rear elevational view of the embodiment of the present invention shown in FIG. 1;

(56) **References Cited**

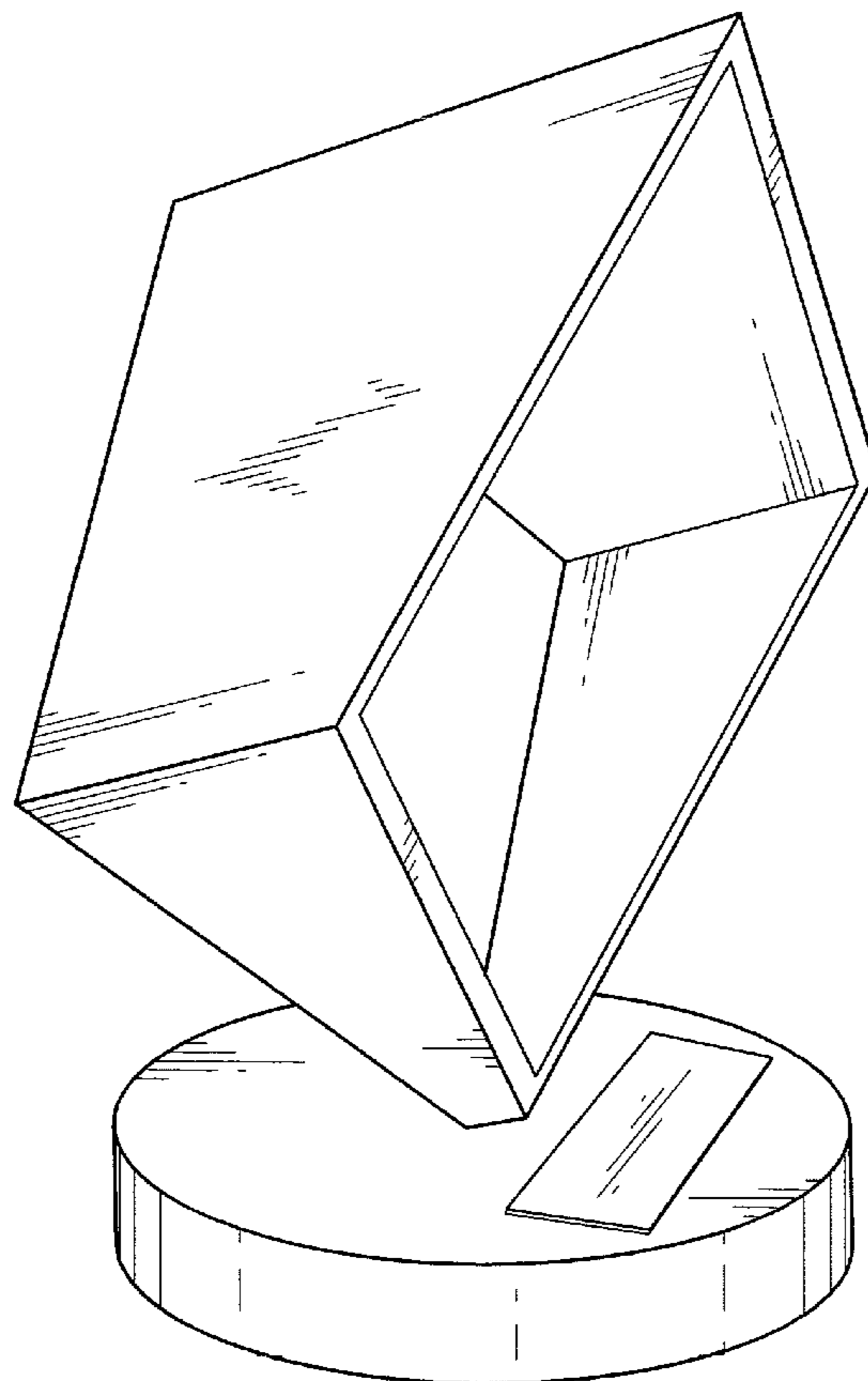
**U.S. PATENT DOCUMENTS**

- D217,197 S \* 4/1970 Phillips ..... D6/449
- D375,007 S \* 10/1996 Erickson ..... D6/495
- 5,834,073 A \* 11/1998 Greenblat et al. .... 428/13
- D485,868 S \* 1/2004 Perrin ..... D21/385
- D486,322 S \* 2/2004 Hansen ..... D6/470
- D511,121 S \* 11/2005 Petree, Jr. .... D11/164

FIG. 5 is a top plan view of the embodiment of the present invention shown in FIG. 1; and,

FIG. 6 is a bottom plan view of the embodiment of the present invention shown in FIG. 1.

**1 Claim, 6 Drawing Sheets**



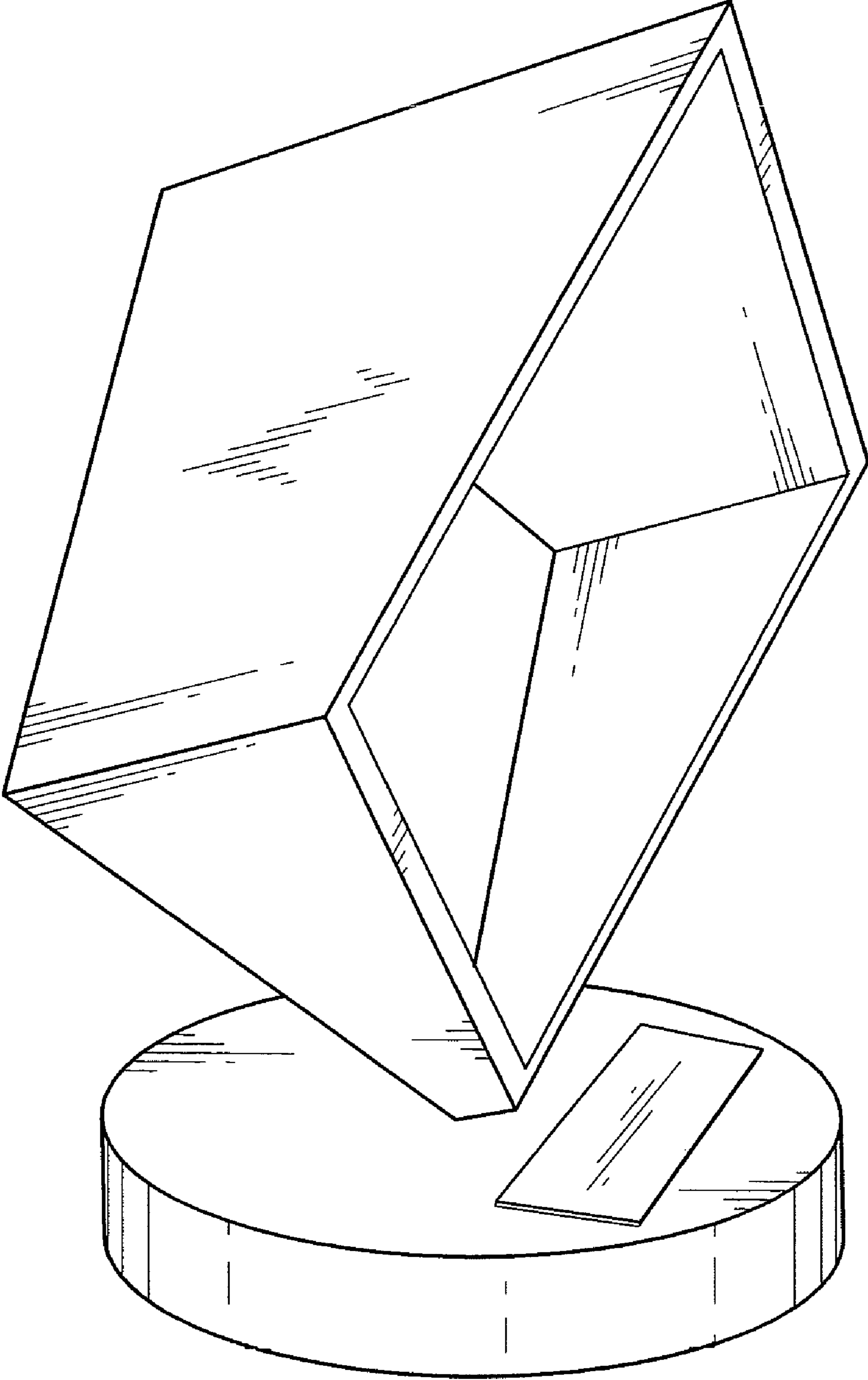


FIG. 1

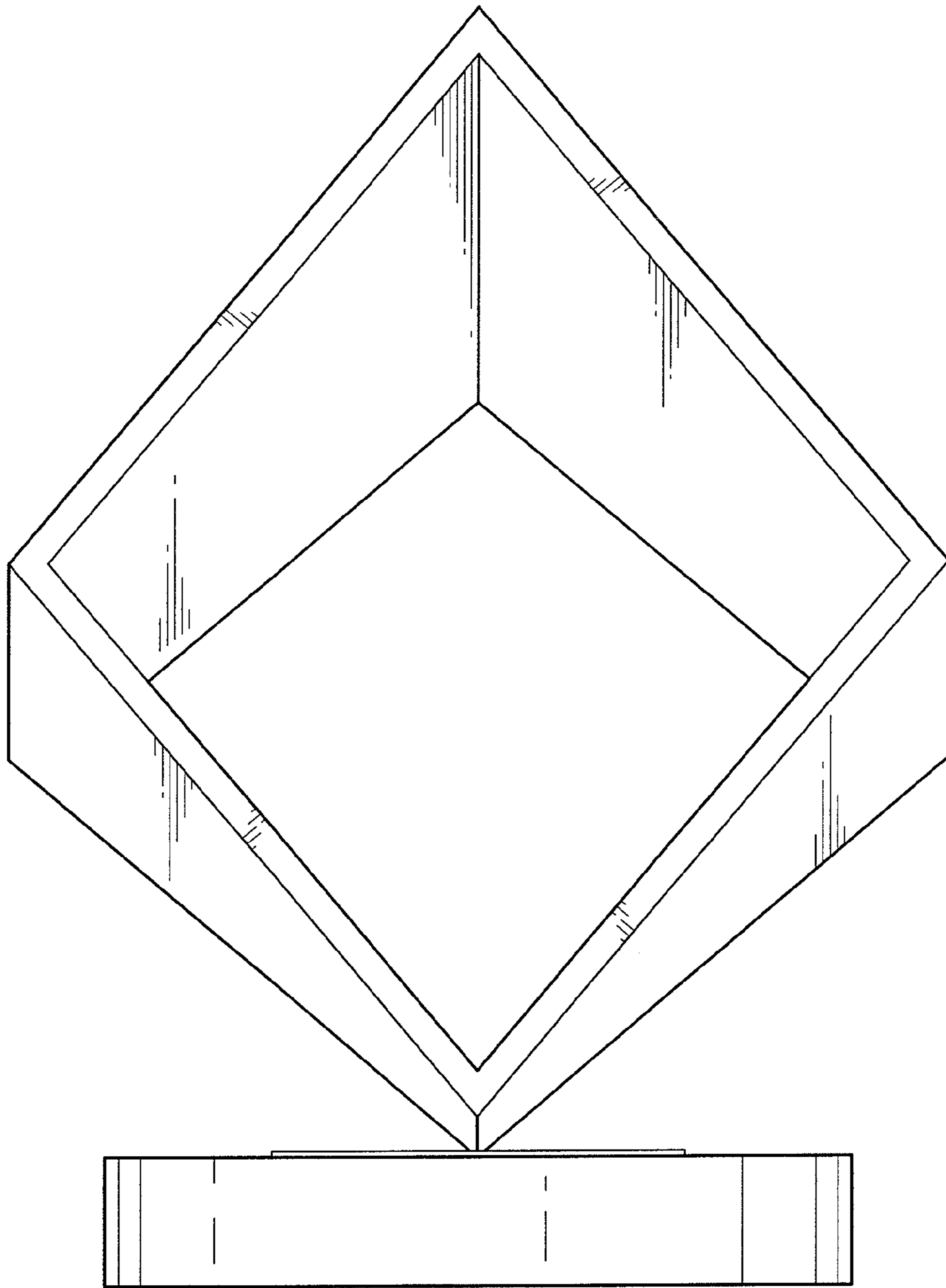


FIG. 2

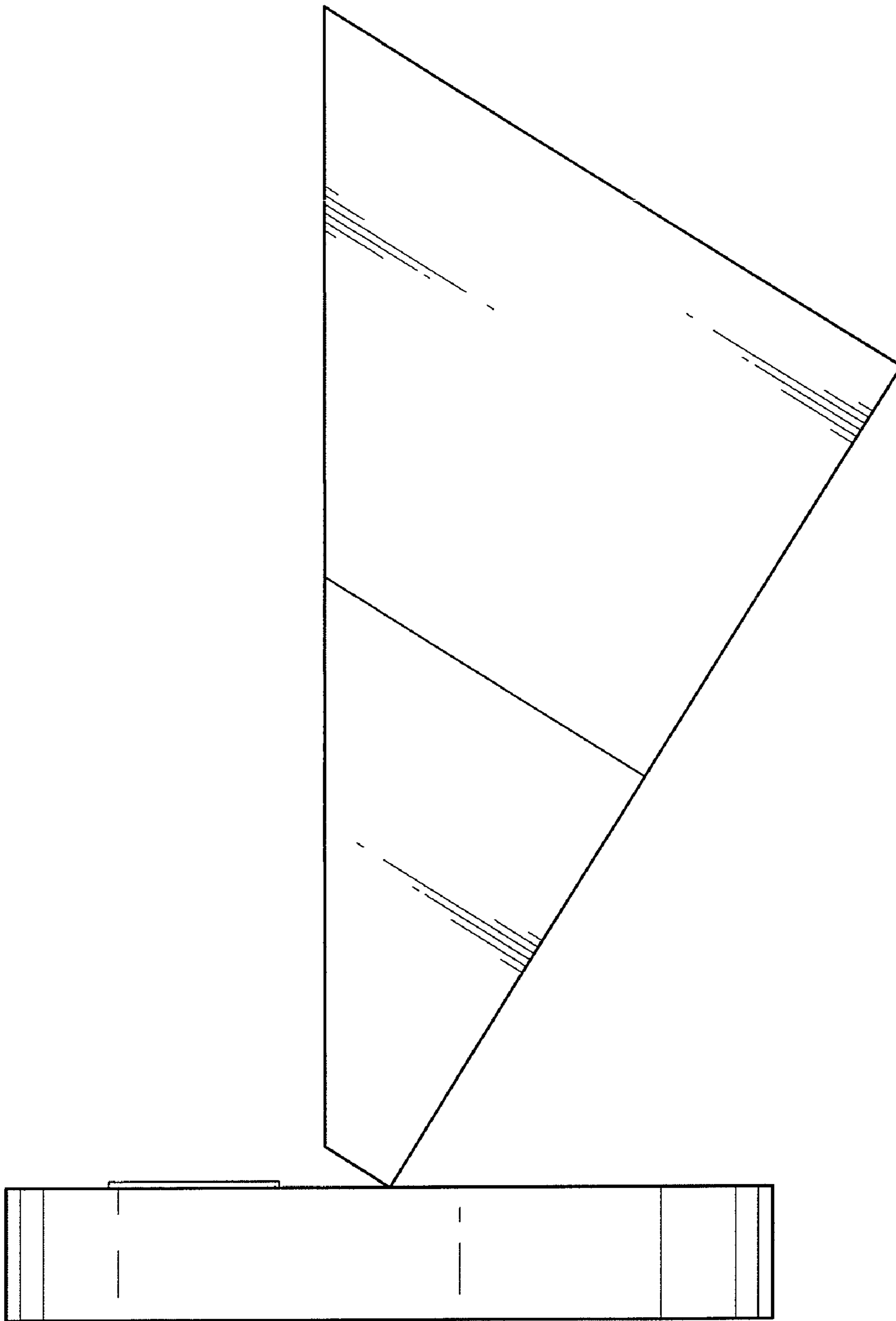


FIG. 3

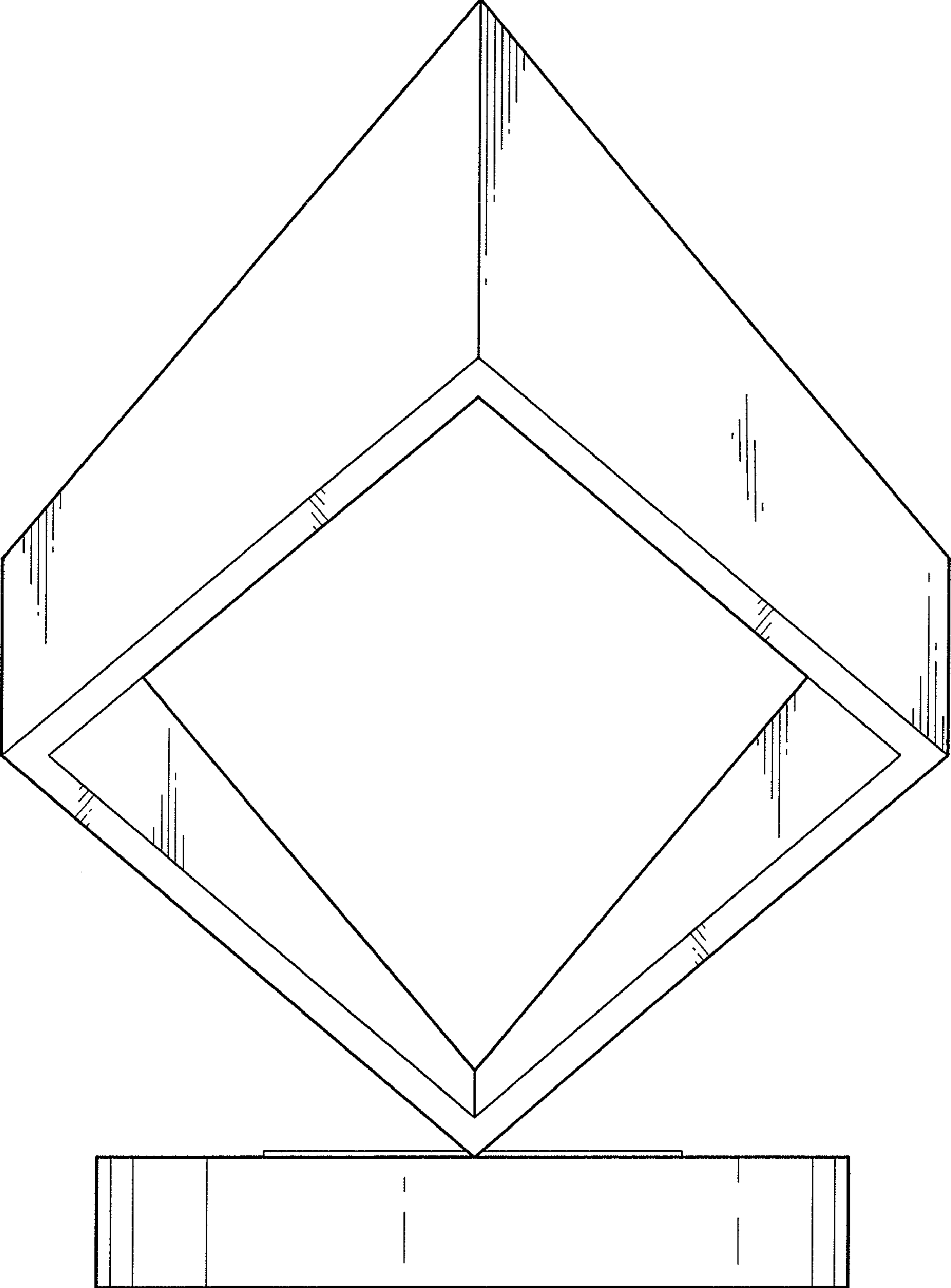


FIG. 4

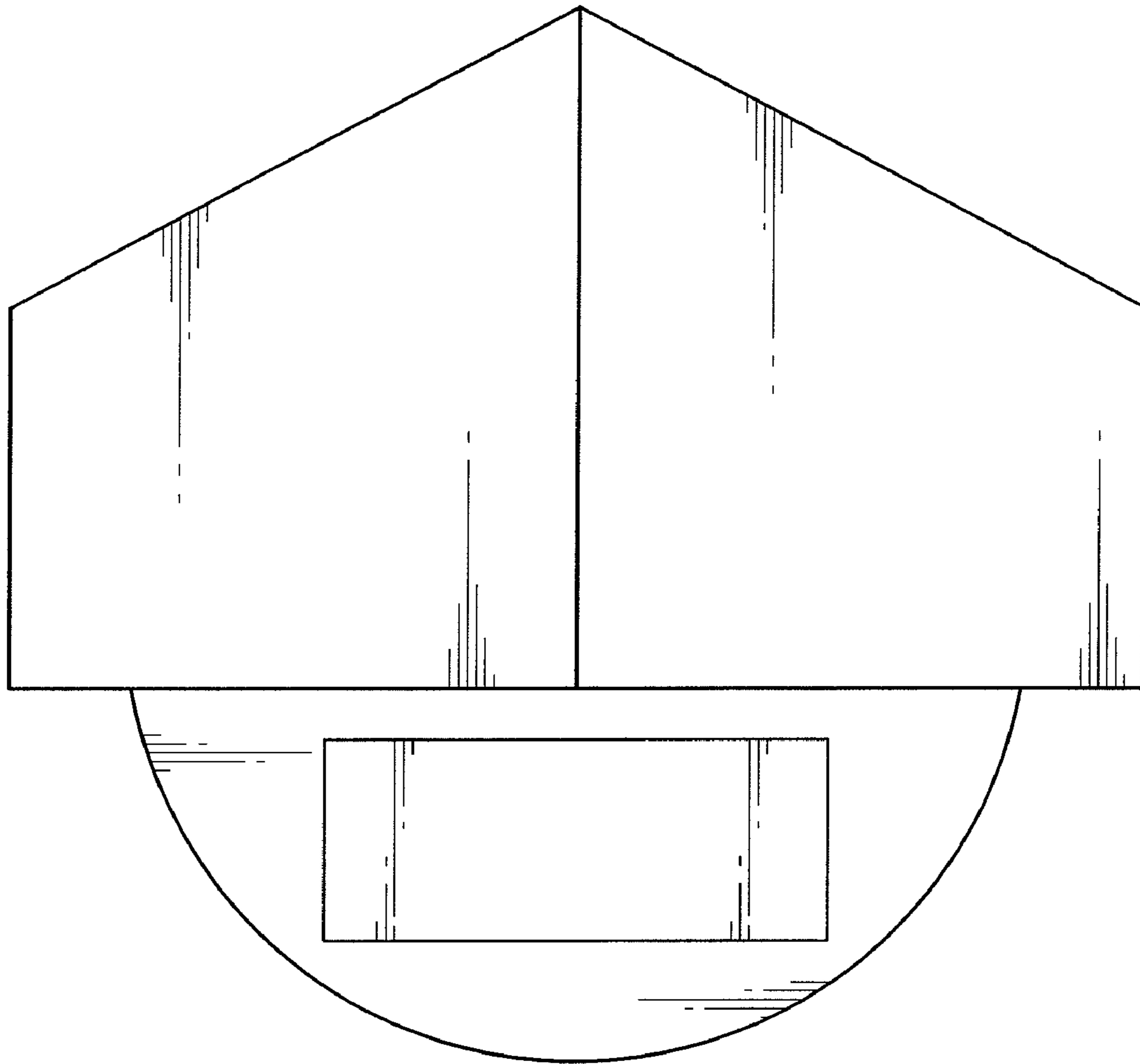


FIG. 5

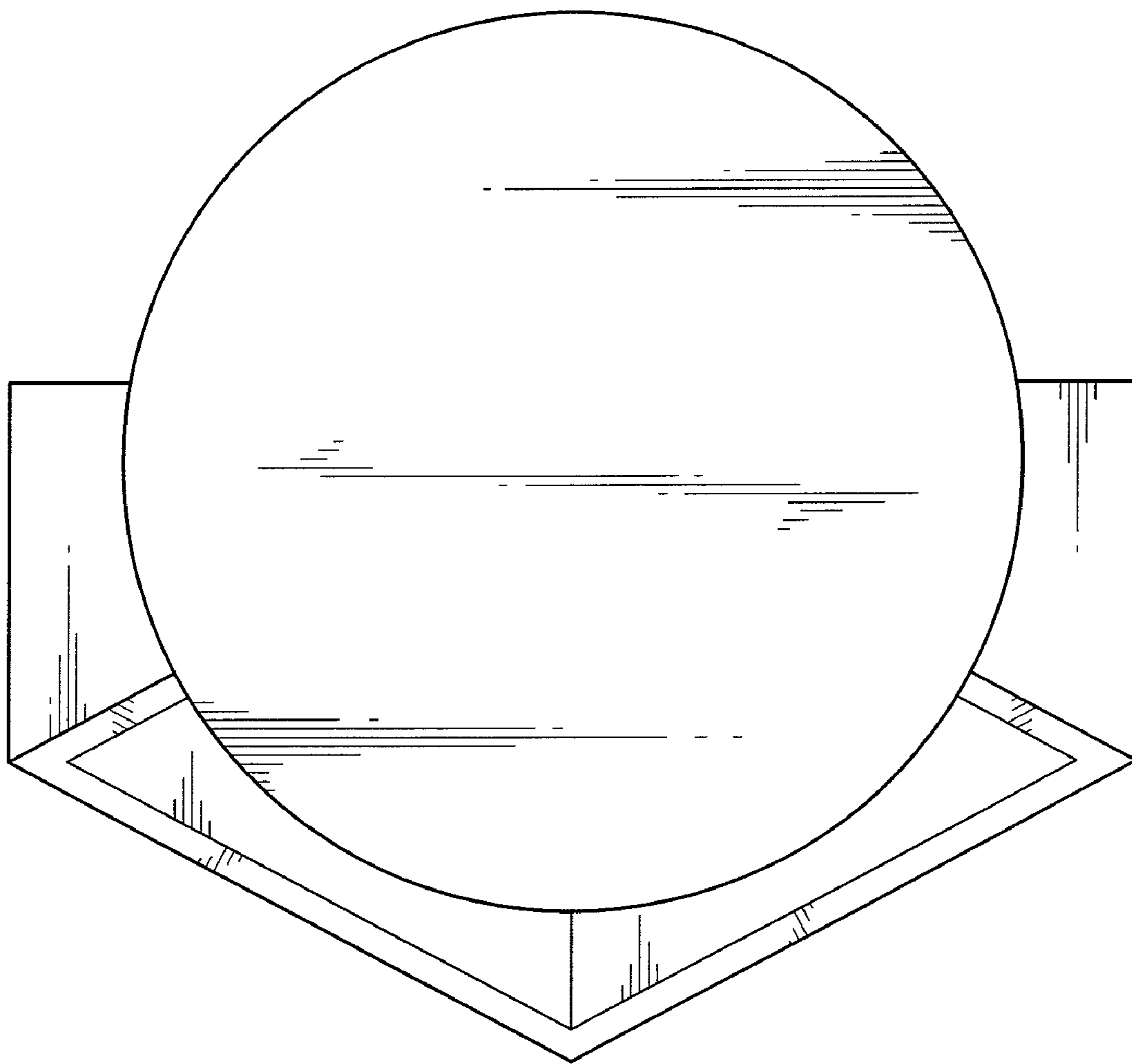


FIG. 6