



US00D575182S

(12) **United States Design Patent**  
**Rubin et al.**

(10) **Patent No.:** **US D575,182 S**  
(45) **Date of Patent:** **\*\* Aug. 19, 2008**

(54) **HANDHELD EMERGENCY TOOL**

2007/0182572 A1\* 8/2007 Rubin et al. .... 340/574

(75) Inventors: **Bennett S. Rubin**, Pepper Pike, OH (US); **Richard C. Adamany**, Chagrin Falls, OH (US)

OTHER PUBLICATIONS

U.S. Appl. No. 11/594,960, filed Nov. 9, 2006, Rubin.

\* cited by examiner

(73) Assignee: **Crestwood Partners, LLC**, Mayfield Village, OH (US)

*Primary Examiner*—Antoine D Davis

(74) *Attorney, Agent, or Firm*—Smith, Gambrell & Russell, LLP

(\*\*) Term: **14 Years**

(57) **CLAIM**

(21) Appl. No.: **29/290,040**

The ornamental design for handheld emergency tool, as shown and described.

(22) Filed: **Oct. 15, 2007**

(51) **LOC (8) Cl.** ..... **10-05**

**DESCRIPTION**

(52) **U.S. Cl.** ..... **D10/104**

FIG. 1 is a front perspective view of the personal care tool;

(58) **Field of Classification Search** ..... D10/104-105;

FIG. 2 is a front view of the personal care tool;

D26/38; 30/366, 367, 277, 368, 358, 359;

FIG. 3 is a rear view of the personal care tool;

340/574; 368/10, 276, 277, 285, 316, 317;

FIG. 4 is a left side view of the personal care tool;

362/100, 109, 253

FIG. 5 is a right side view of the personal care tool;

See application file for complete search history.

FIG. 6 is a top view of the personal care tool; and,

(56) **References Cited**

FIG. 7 is a bottom view of the personal care tool.

U.S. PATENT DOCUMENTS

The broken line showing is for the purpose of illustrating environmental structure and forms no part of the claimed design.

4,633,232 A \* 12/1986 Nelson et al. .... 340/542

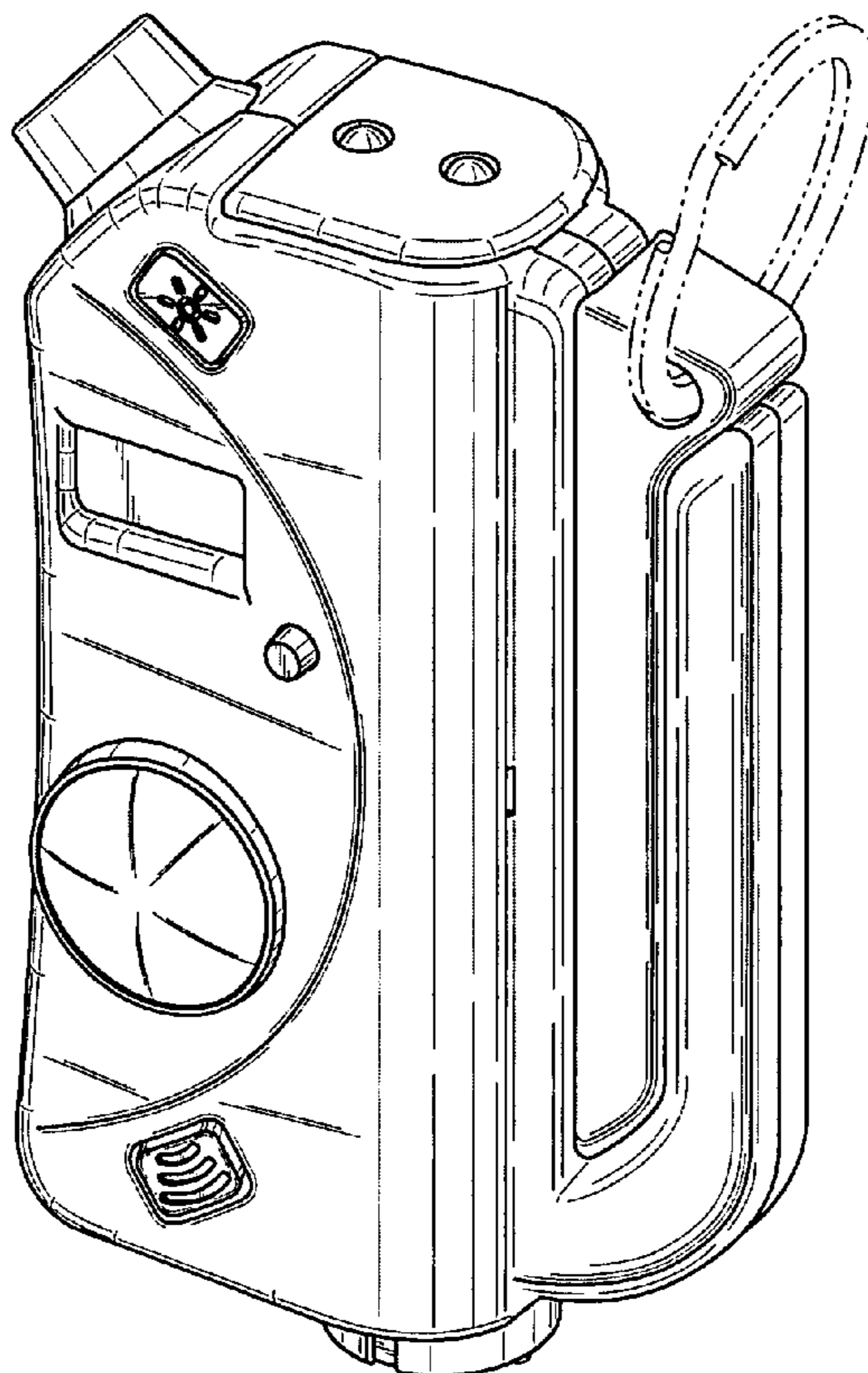
4,667,188 A \* 5/1987 Schwartz ..... 340/689

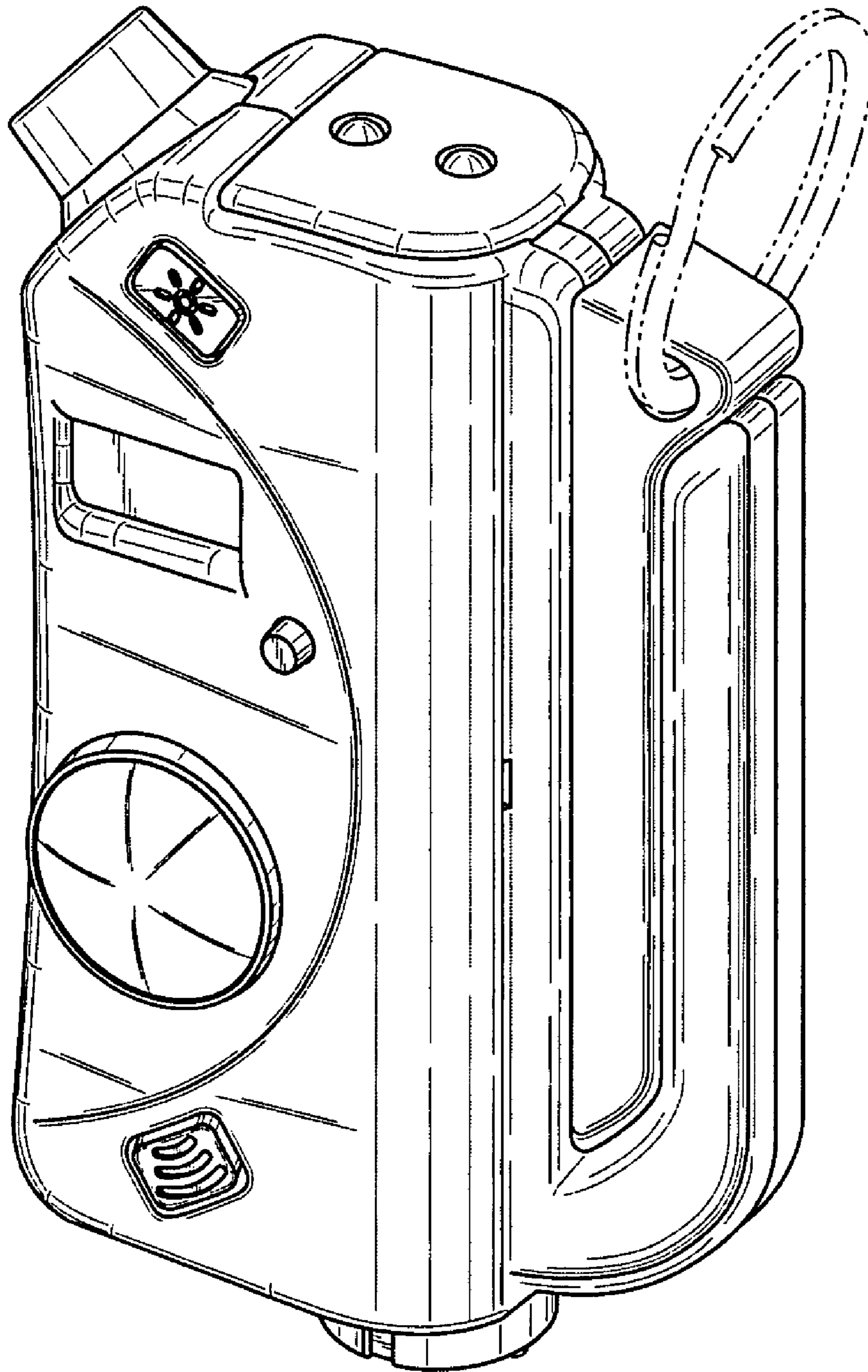
5,512,881 A \* 4/1996 Majmudar ..... 340/574

6,418,628 B1 7/2002 Steingass

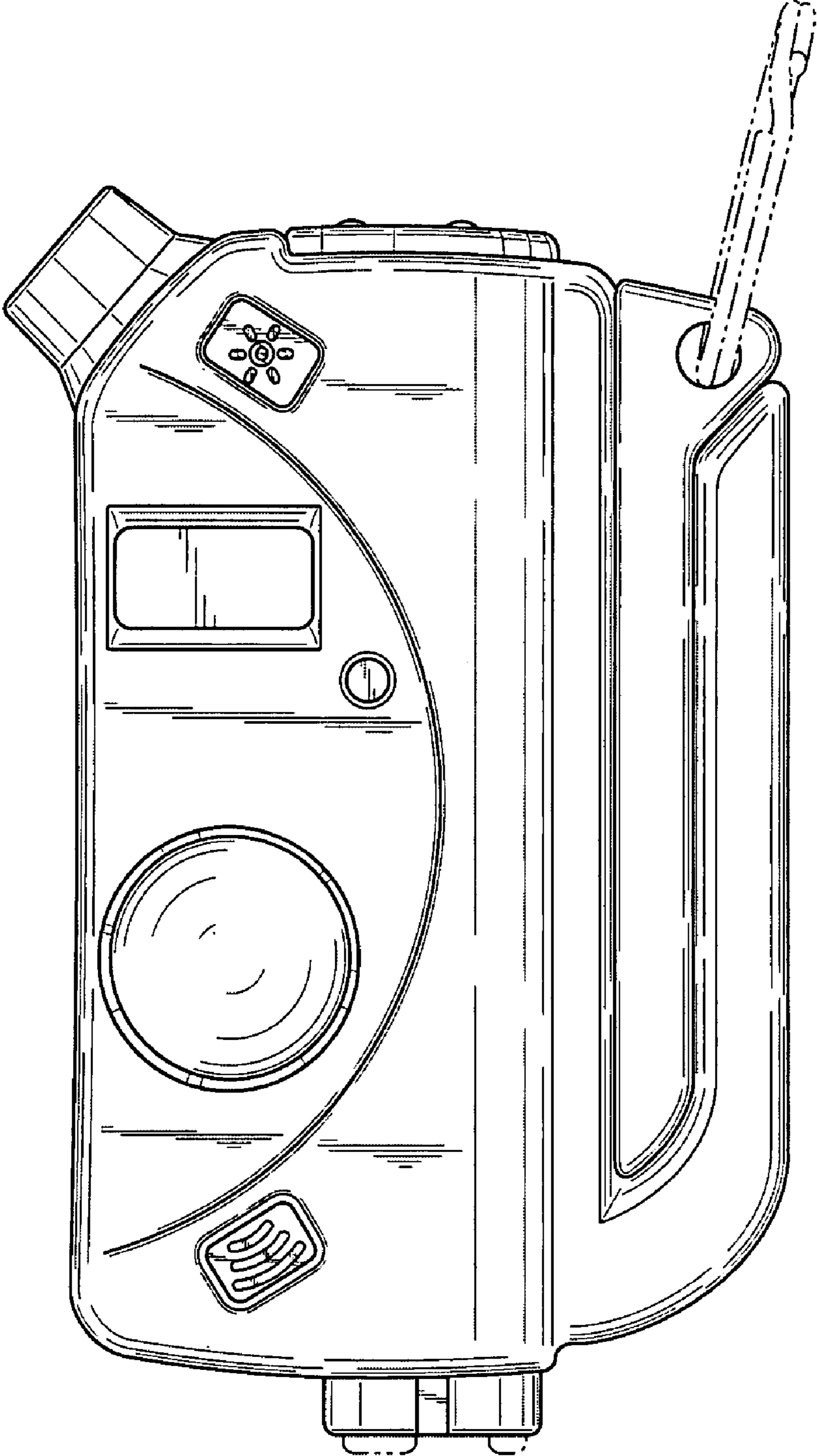
D564,387 S \* 3/2008 Rubin et al. .... D10/104

**1 Claim, 6 Drawing Sheets**

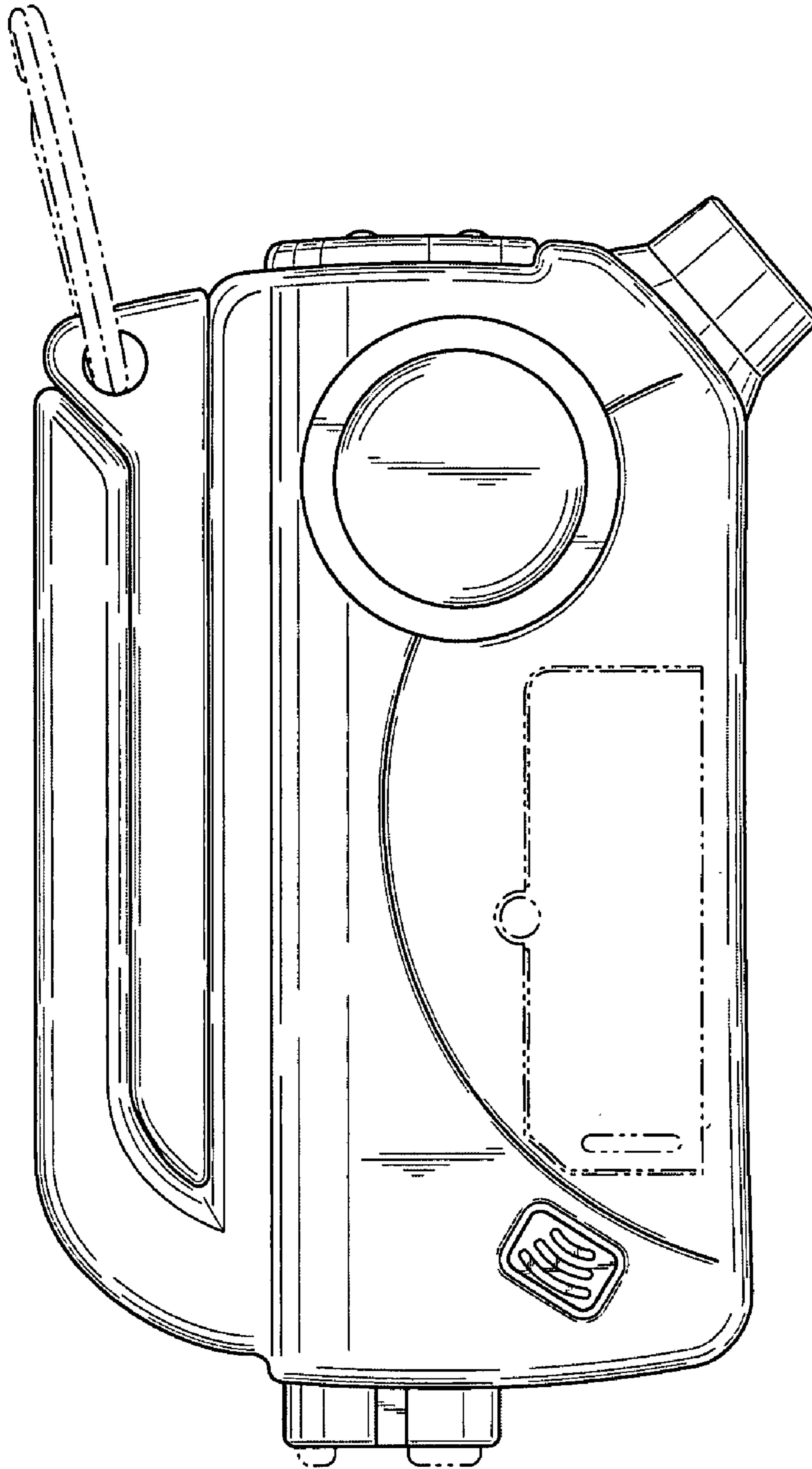




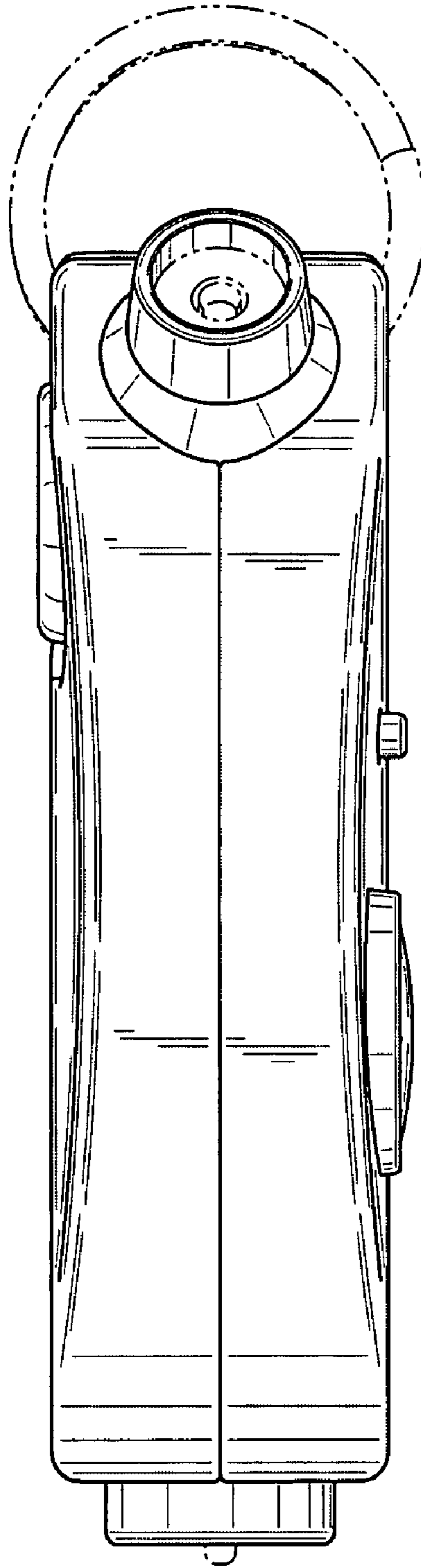
**Fig. 1**



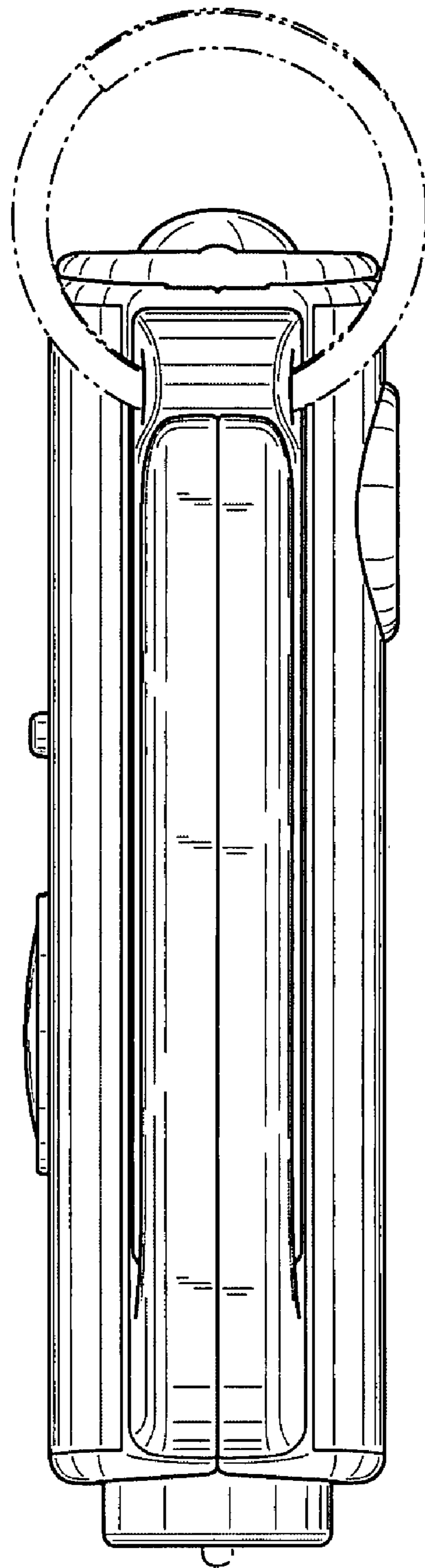
**Fig. 2**



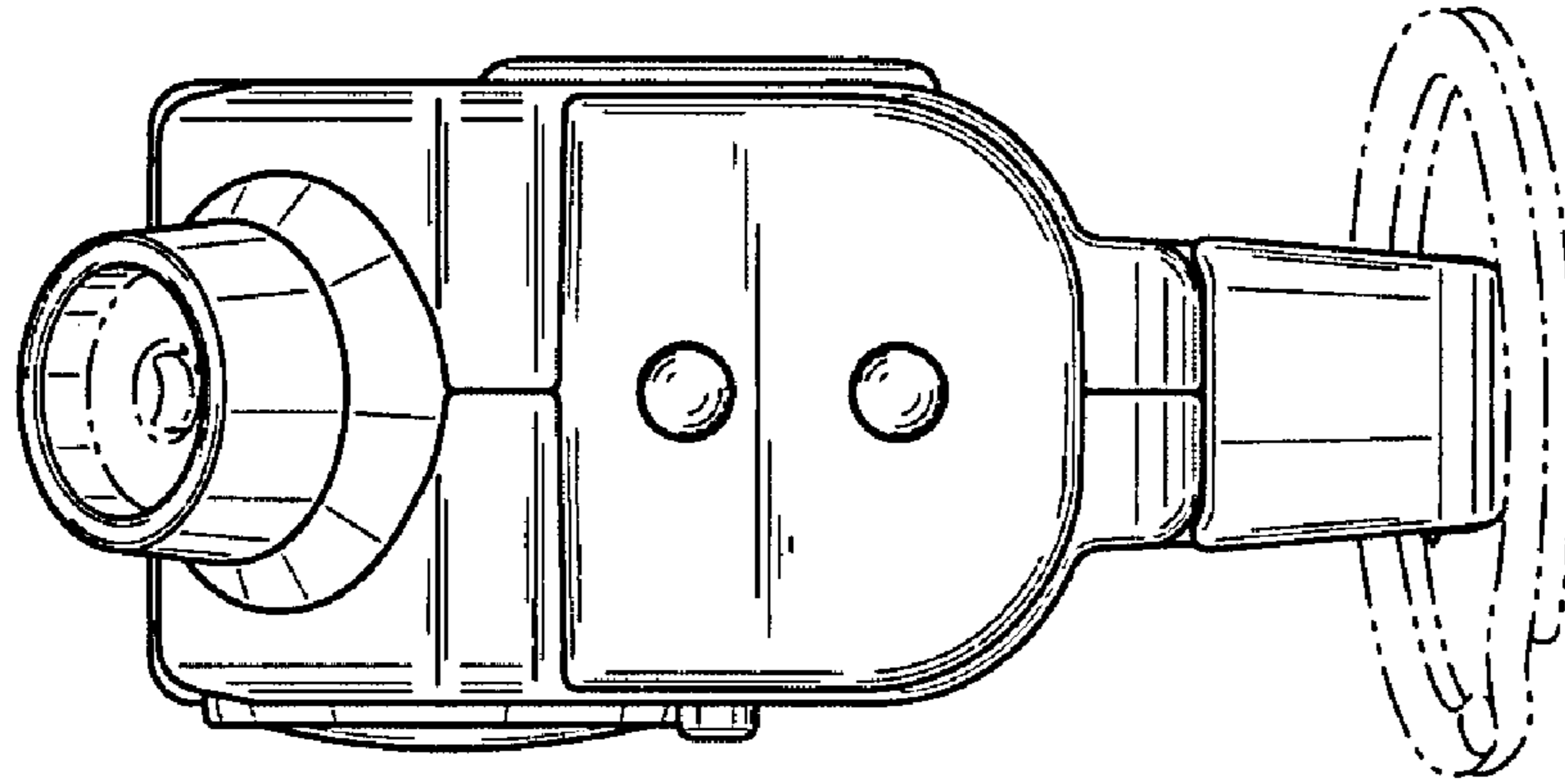
**Fig. 3**



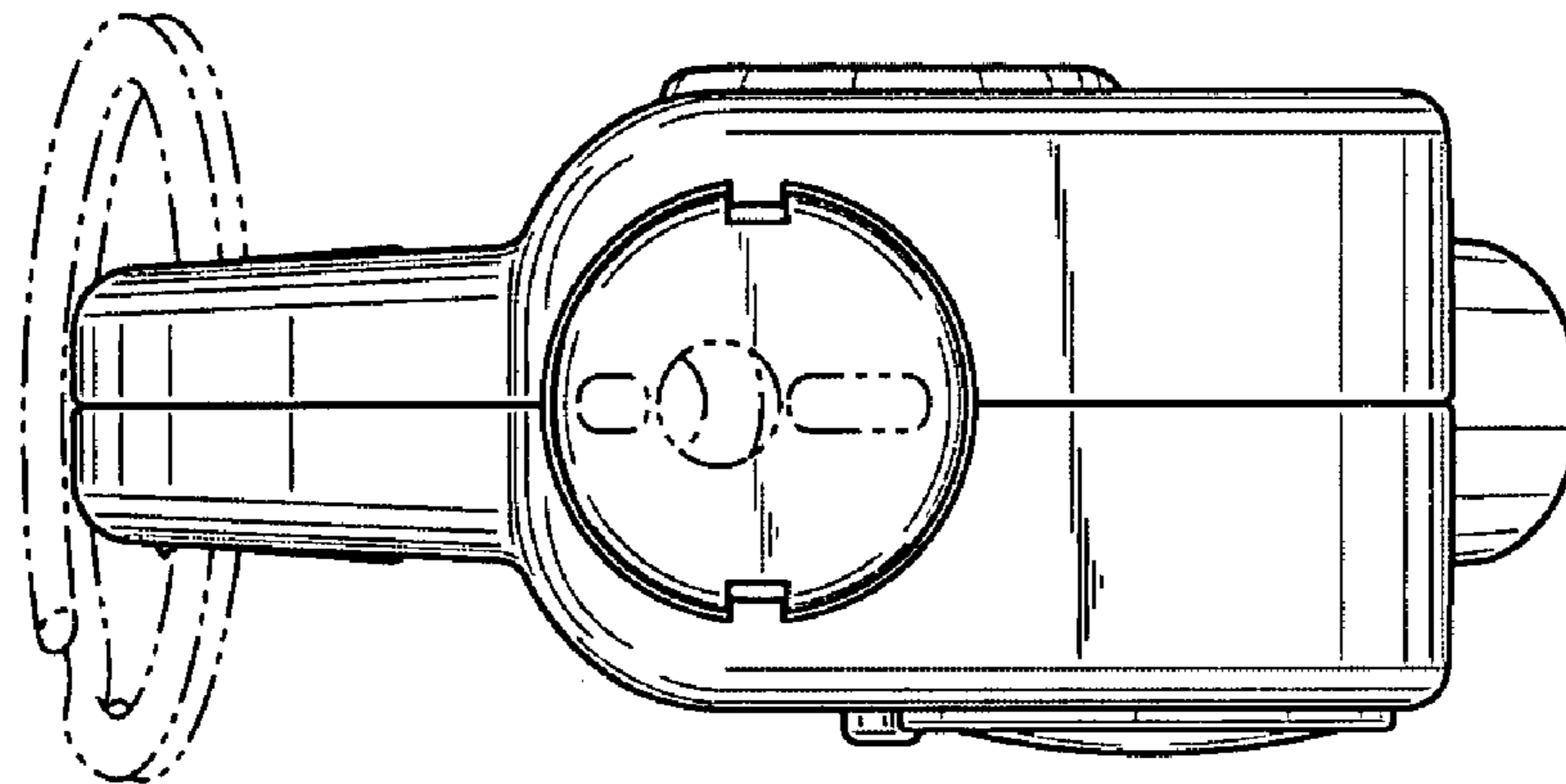
**Fig. 4**



**Fig. 5**



**Fig. 6**



**Fig. 7**