



US00D575180S

(12) **United States Design Patent**
James

(10) **Patent No.:** **US D575,180 S**

(45) **Date of Patent:** **** Aug. 19, 2008**

(54) **GAUGE**

(75) Inventor: **Chad James**, Spartanburg, SC (US)

(73) Assignee: **Powerstation, LLC**, Greenville, SC (US)

(**) Term: **14 Years**

(21) Appl. No.: **29/291,543**

(22) Filed: **Sep. 4, 2007**

(51) **LOC (8) Cl.** **10-04**

(52) **U.S. Cl.** **D10/102; D13/118**

(58) **Field of Classification Search** D10/102;
D13/112-118; 290/1 R, 1 B, 36 R, 46; 307/150,
307/151; 310/10, 42, 43, 68 D, 75 R, 114,
310/231, 272; 322/1, 2 R, 44, 99
See application file for complete search history.

(56) **References Cited**

U.S. PATENT DOCUMENTS

D486,748 S * 2/2004 Cain D10/102

D488,127 S 4/2004 Fan
D501,182 S 1/2005 Buck
D507,529 S 7/2005 Lee
D514,968 S * 2/2006 Tahira et al. D10/102
D537,744 S * 3/2007 Wu D10/102
D563,815 S * 3/2008 Lin D10/102

* cited by examiner

Primary Examiner—Antoine D Davis

(74) *Attorney, Agent, or Firm*—J. Bennett Mullinax, LLC

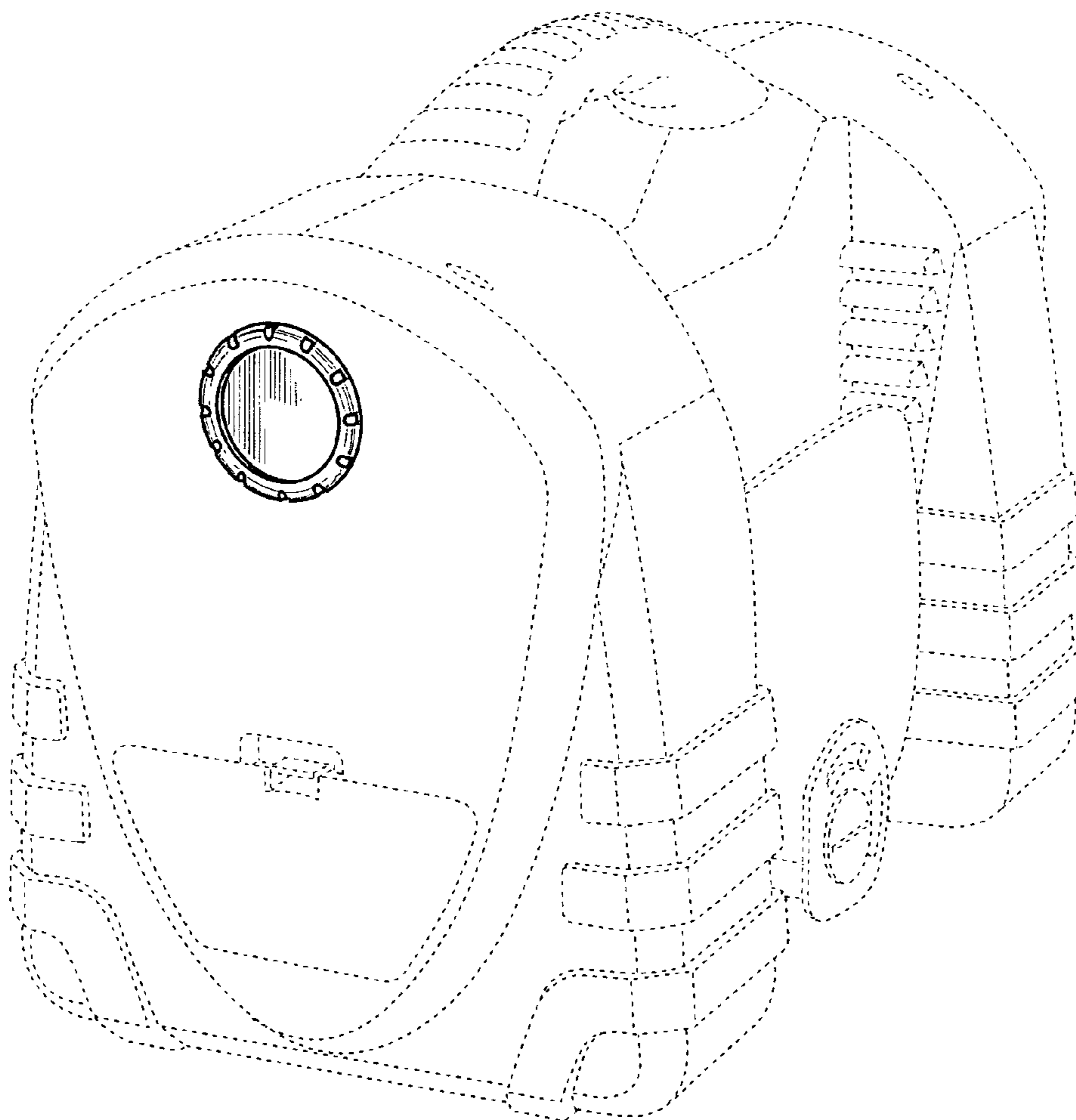
(57) **CLAIM**

The ornamental design for a gauge, as shown and described.

DESCRIPTION

FIG. 1 is a perspective view of a gauge;
FIG. 2 is a front elevation view of the gauge seen in FIG. 1;
FIG. 3 is a right side view of the gauge seen in FIG. 1, the left side view, top plan view, and bottom plan view being mirror images thereof; and,
FIG. 4 is a rear elevation view of the gauge seen in FIG. 1.

1 Claim, 4 Drawing Sheets



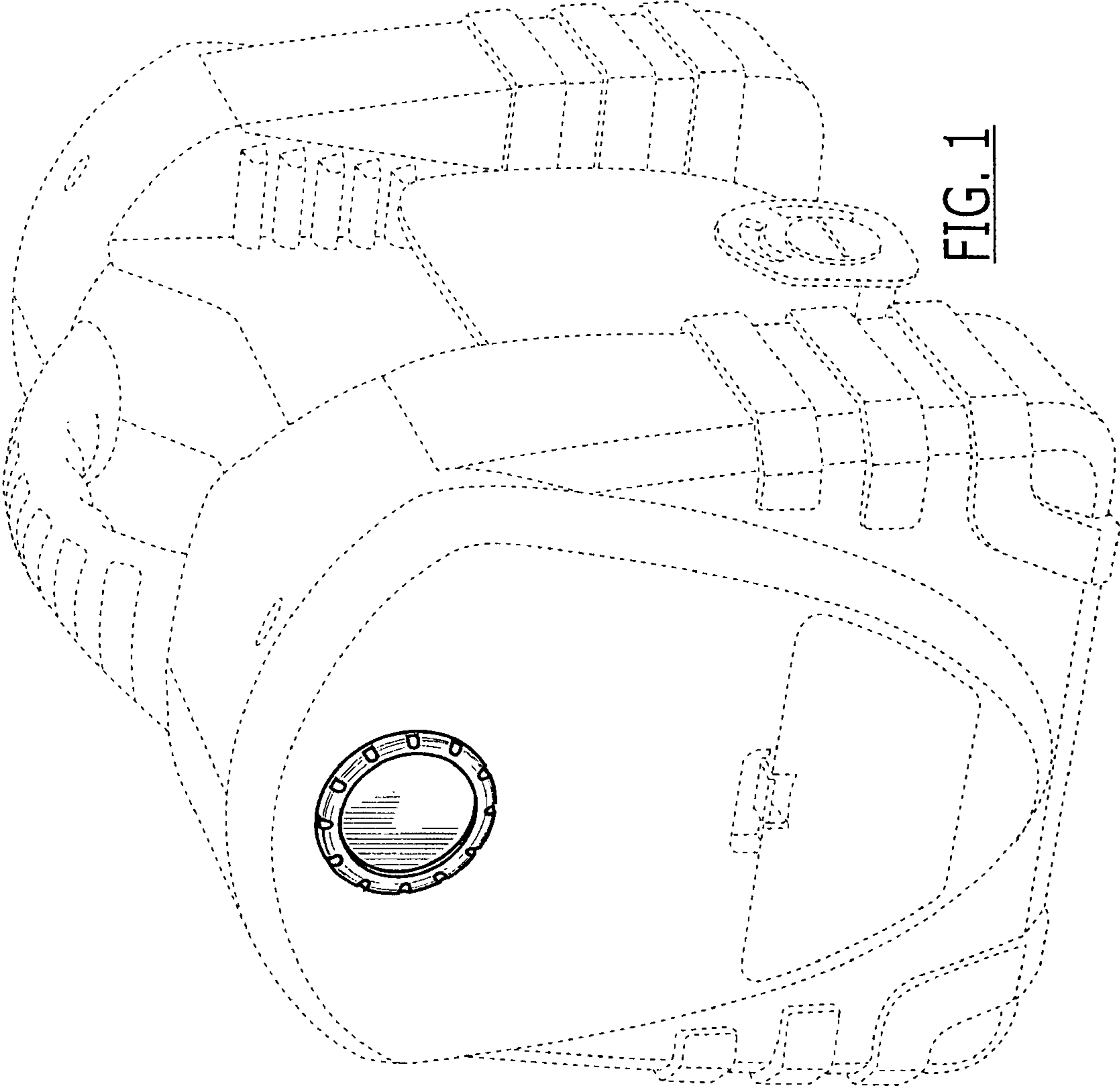


FIG. 1

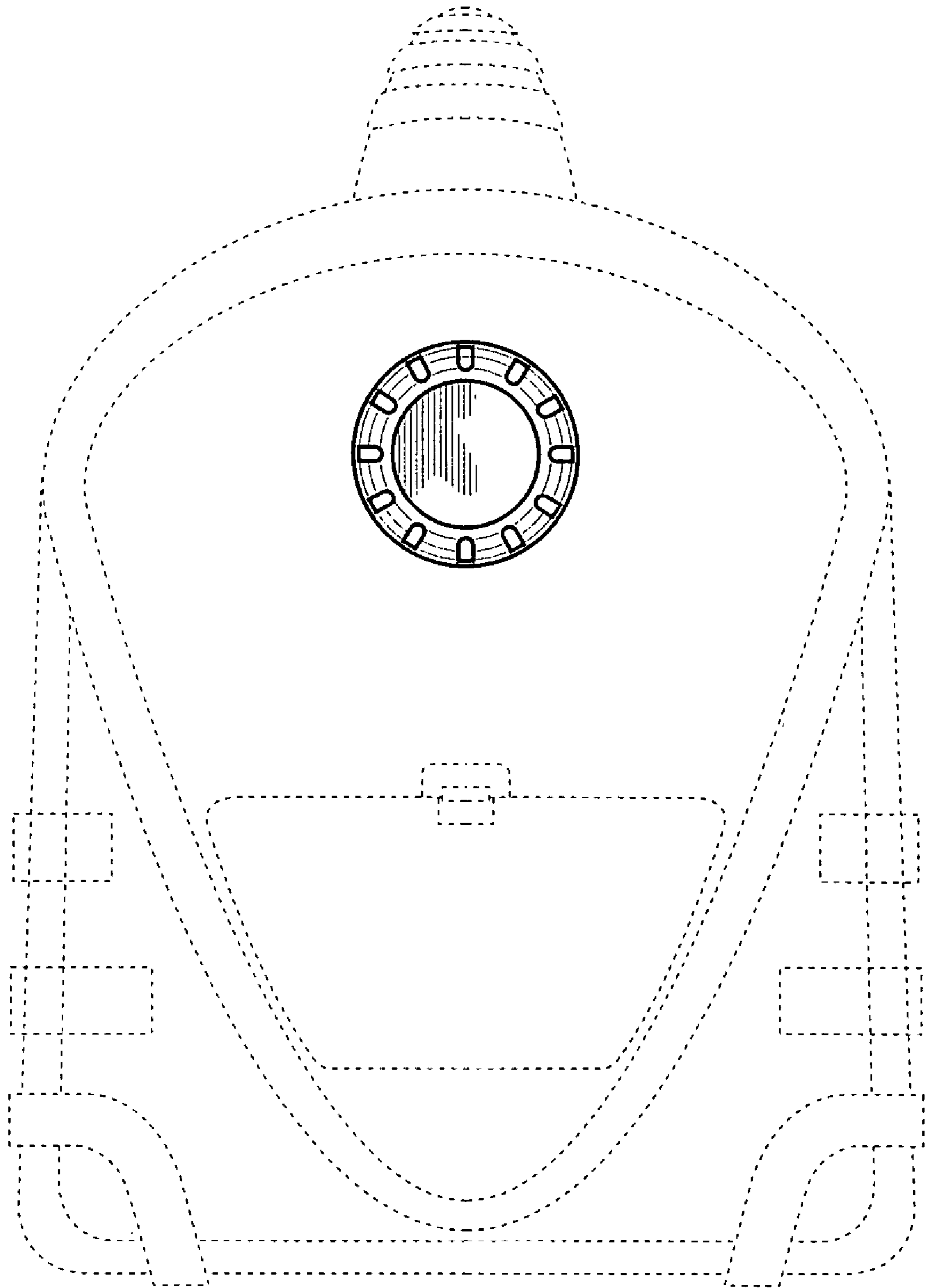
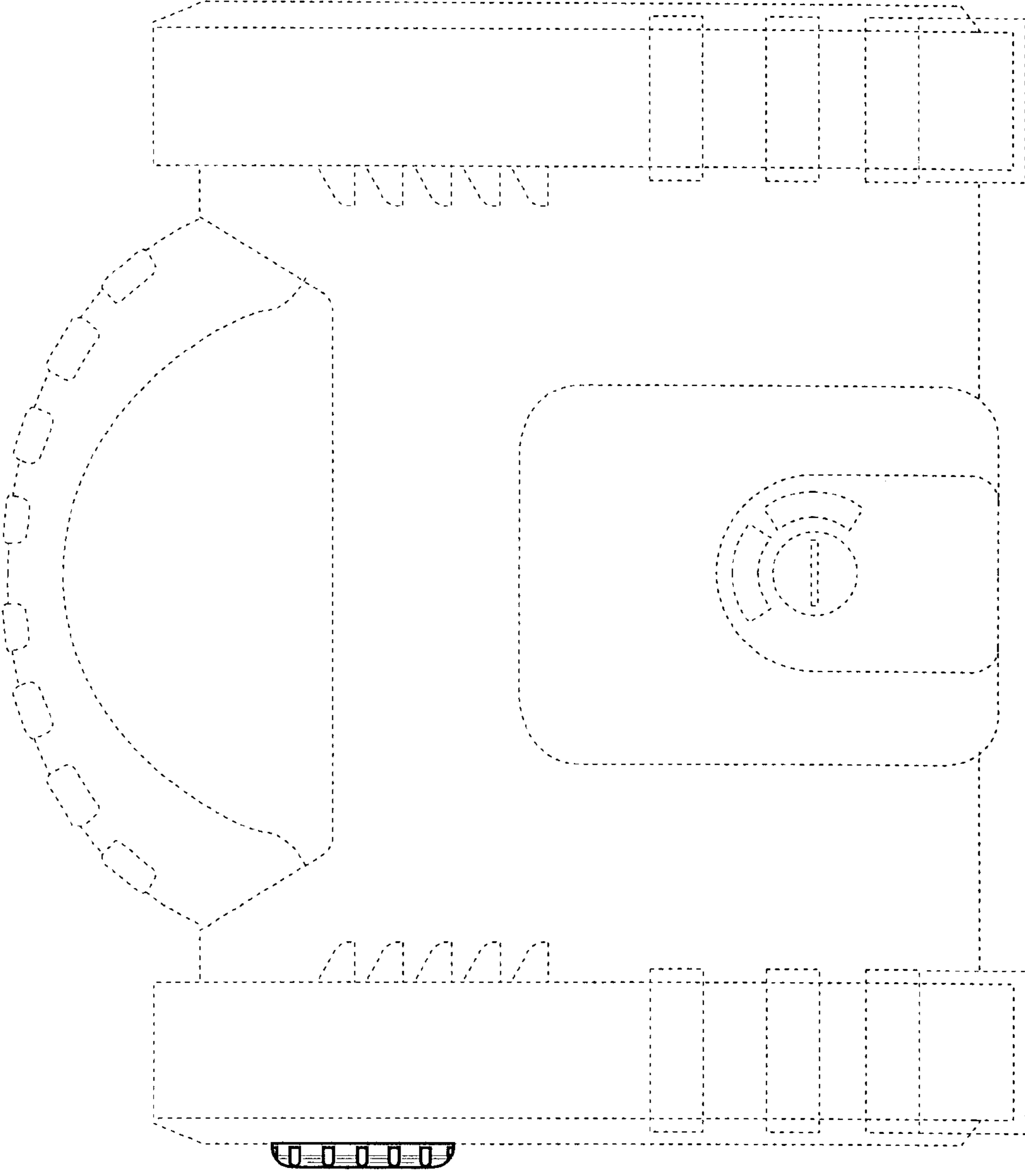


FIG. 2

FIG. 3



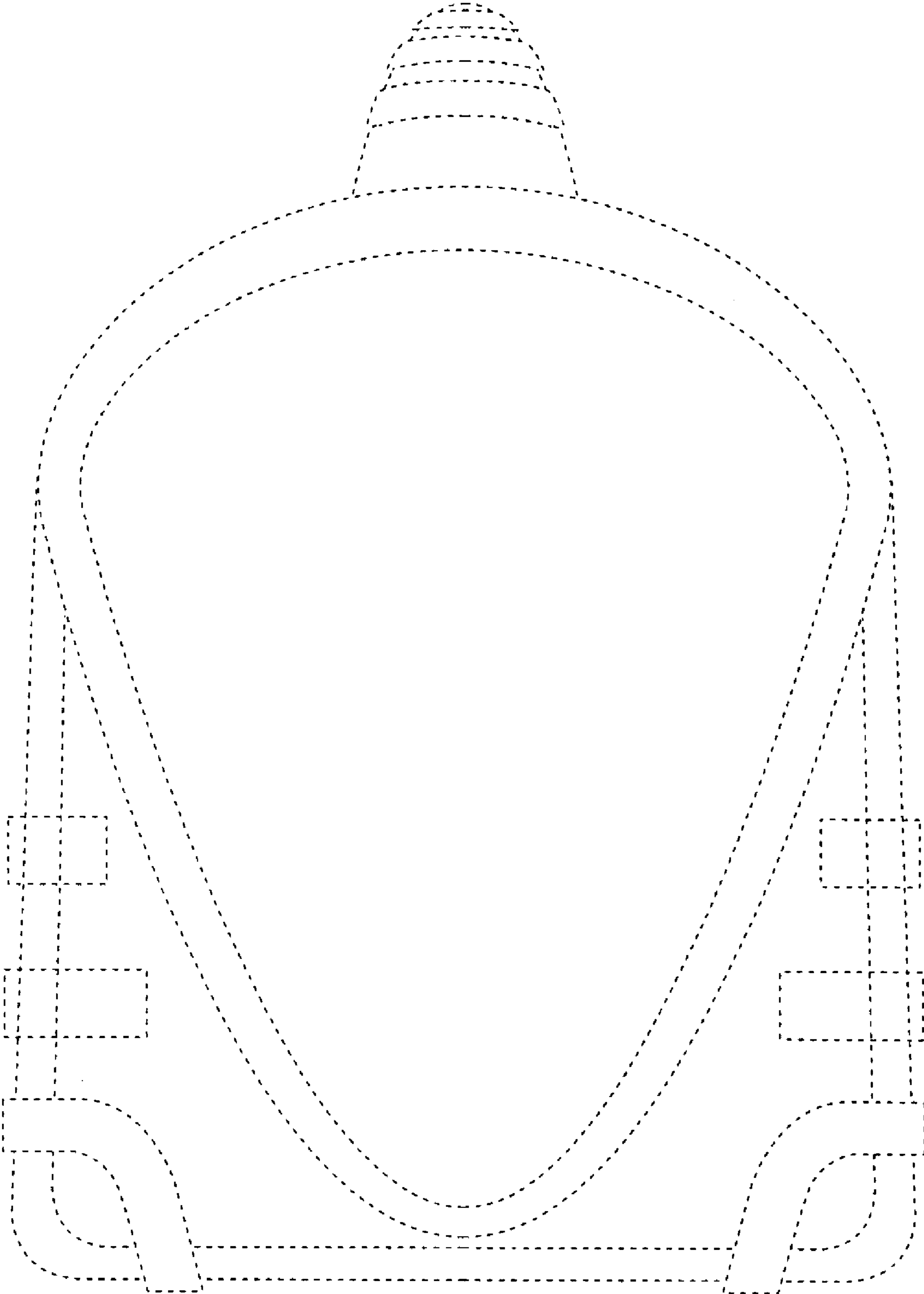


FIG. 4