



US00D575179S

(12) **United States Design Patent**  
**Thybulle**

(10) **Patent No.:** **US D575,179 S**  
(45) **Date of Patent:** **\*\* Aug. 19, 2008**

(54) **PORTABLE HANDHELD SCALE**

(76) Inventor: **Gregory P. R. Thybulle**, 19446 SE. 27<sup>th</sup>  
Pl., Sammamish, WA (US) 98075

(\*\*) Term: **14 Years**

(21) Appl. No.: **29/299,427**

(22) Filed: **Dec. 26, 2007**

(51) **LOC (8) Cl.** ..... **10-04**

(52) **U.S. Cl.** ..... **D10/89**

(58) **Field of Classification Search** ..... D10/89-90;  
177/131, 148, 232, 233, 235, 238, 243, 225,  
177/25.13

See application file for complete search history.

(56) **References Cited**

**U.S. PATENT DOCUMENTS**

D502,657 S *	3/2005	Liao	.....	D10/89
6,943,304 B1 *	9/2005	Brady et al.	.....	177/148
D526,918 S *	8/2006	Barnes et al.	.....	D10/89
7,173,197 B1 *	2/2007	Kasperek	.....	177/131
7,180,015 B2 *	2/2007	Hudson	.....	177/131

\* cited by examiner

*Primary Examiner*—Antoine D Davis

(74) *Attorney, Agent, or Firm*—Patrick J. S. Inouye; Krista A. Wittman

(57) **CLAIM**

The ornamental design for a portable handheld scale, as substantially shown and described.

**DESCRIPTION**

FIG. 1 is a perspective view showing a portable handheld scale.

FIG. 2 is a right elevational view of the portable handheld scale of FIG. 1.

FIG. 3 is a left elevational view of the portable handheld scale of FIG. 1.

FIG. 4 is a front elevational view of the portable handheld scale of FIG. 1.

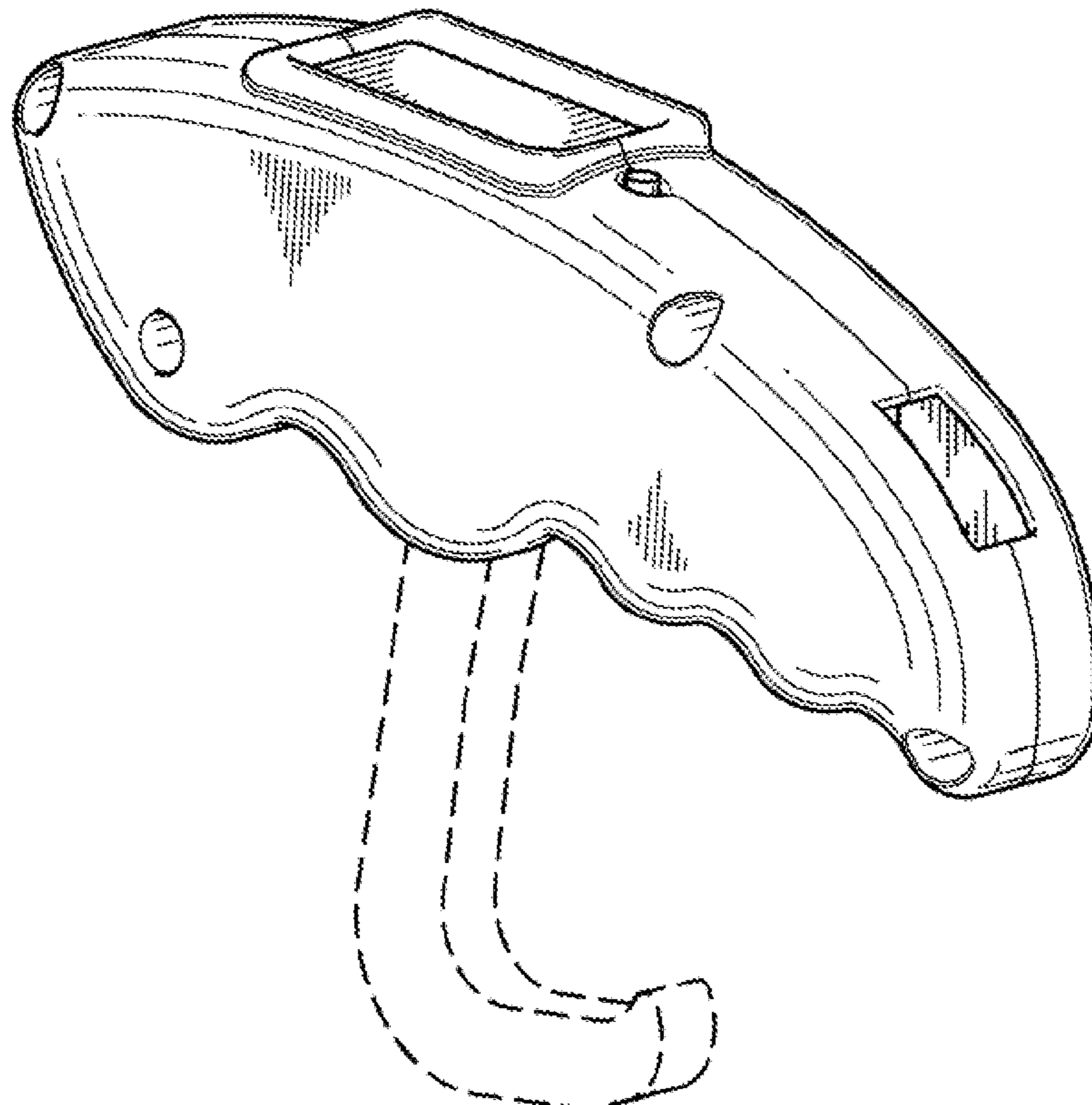
FIG. 5 is a rear elevational view of the portable handheld scale of FIG. 1.

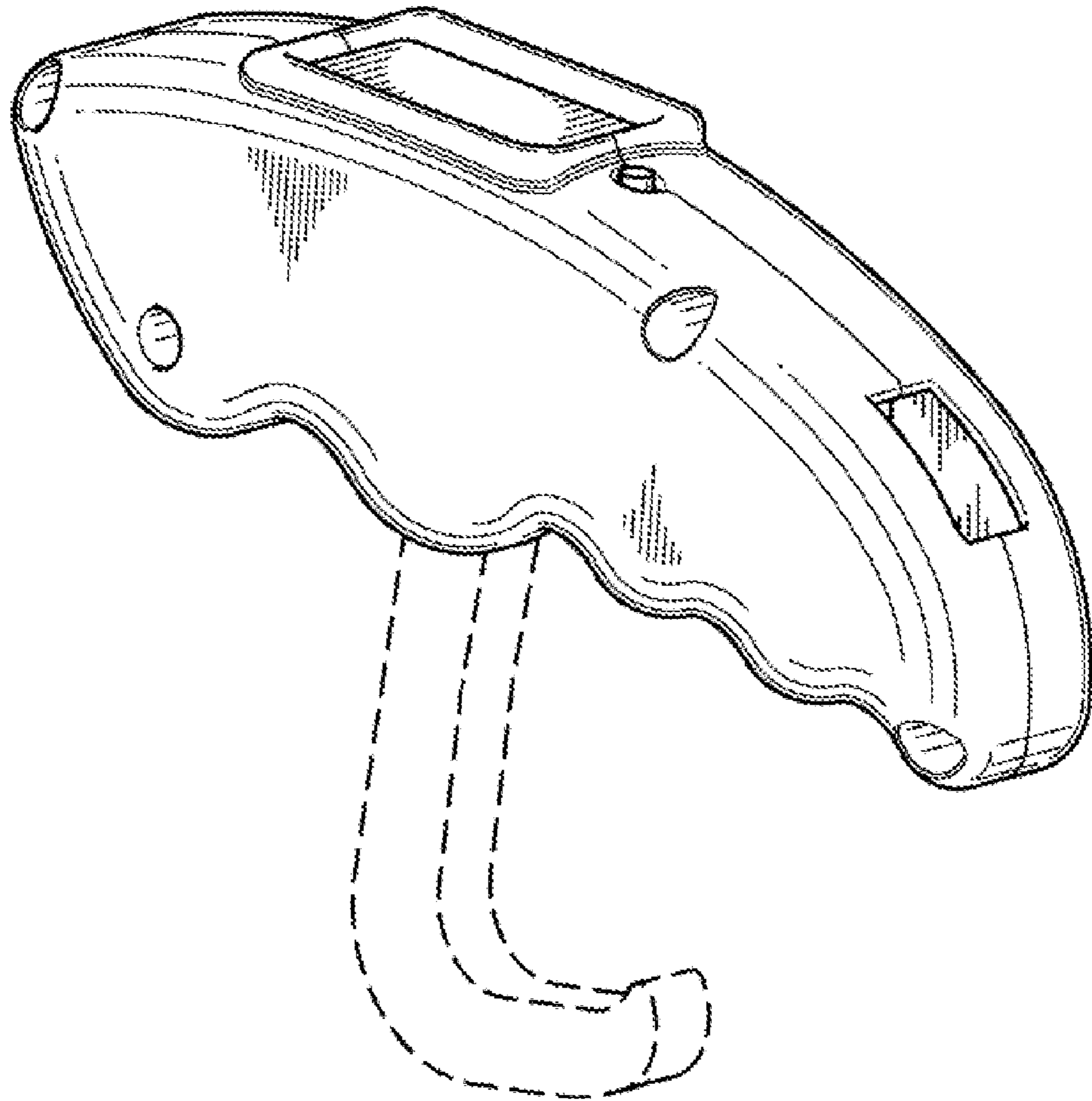
FIG. 6 is a top plan view of the portable handheld scale of FIG. 1; and,

FIG. 7 is a bottom plan view of the portable handheld scale of FIG. 1.

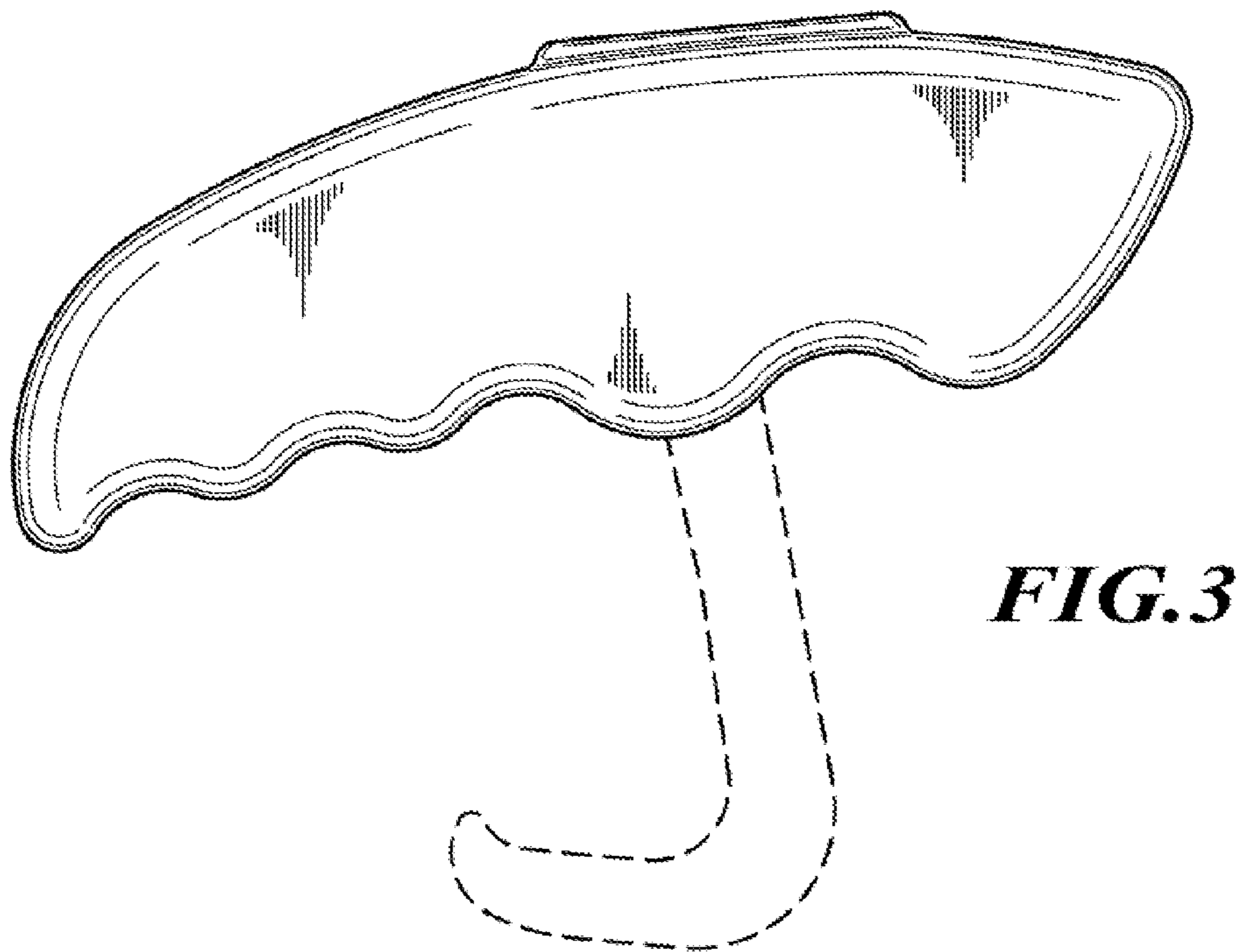
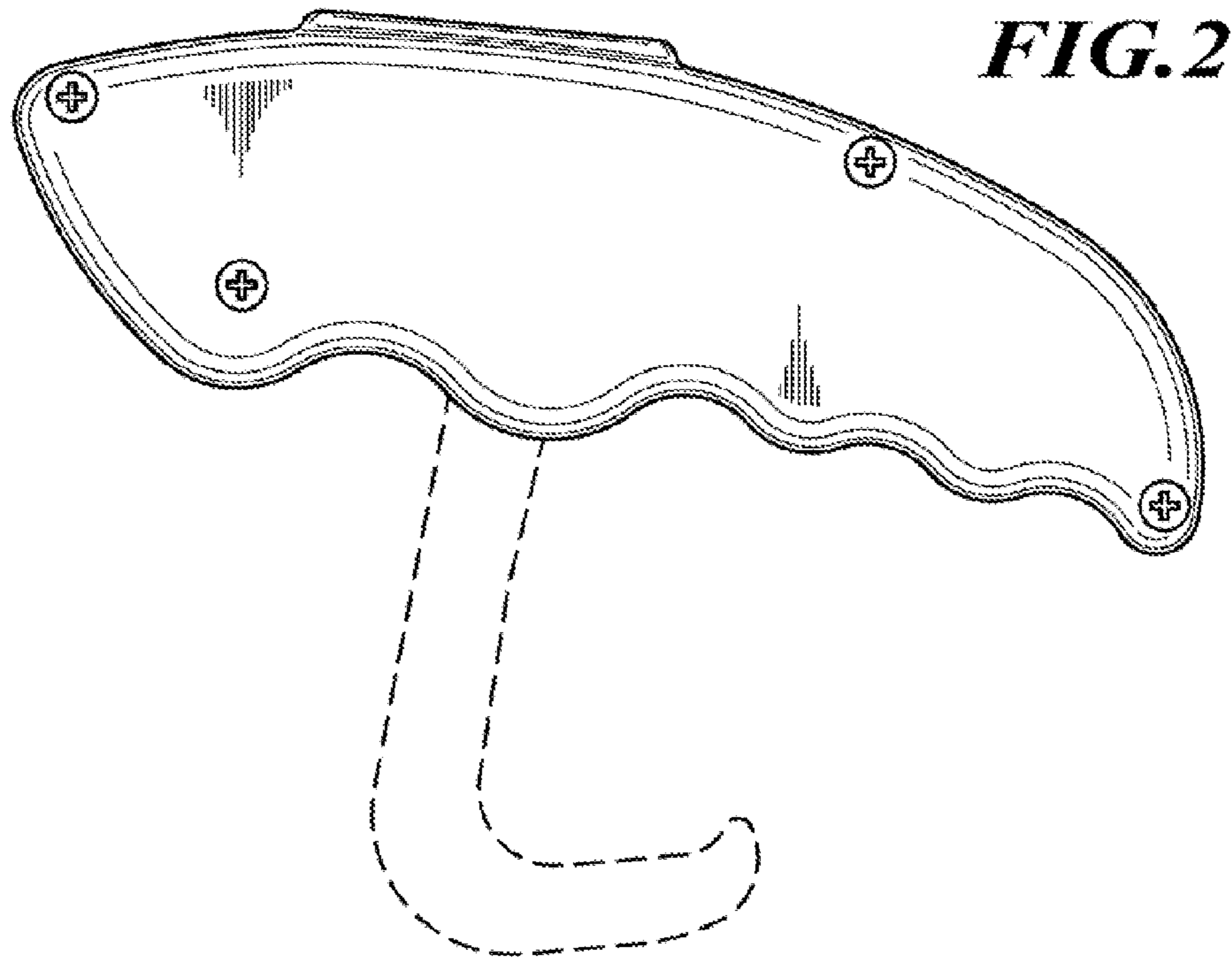
The broken lines shown in the drawings are for illustrative purposes only and form no part of the claimed design.

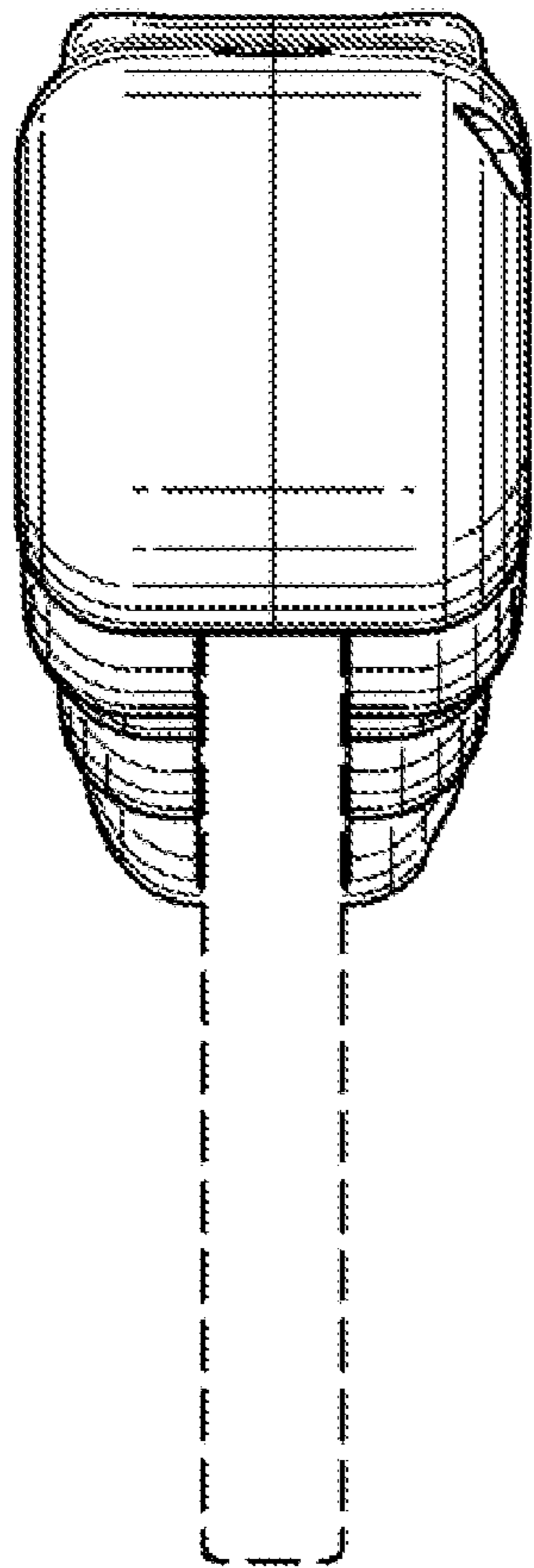
**1 Claim, 4 Drawing Sheets**



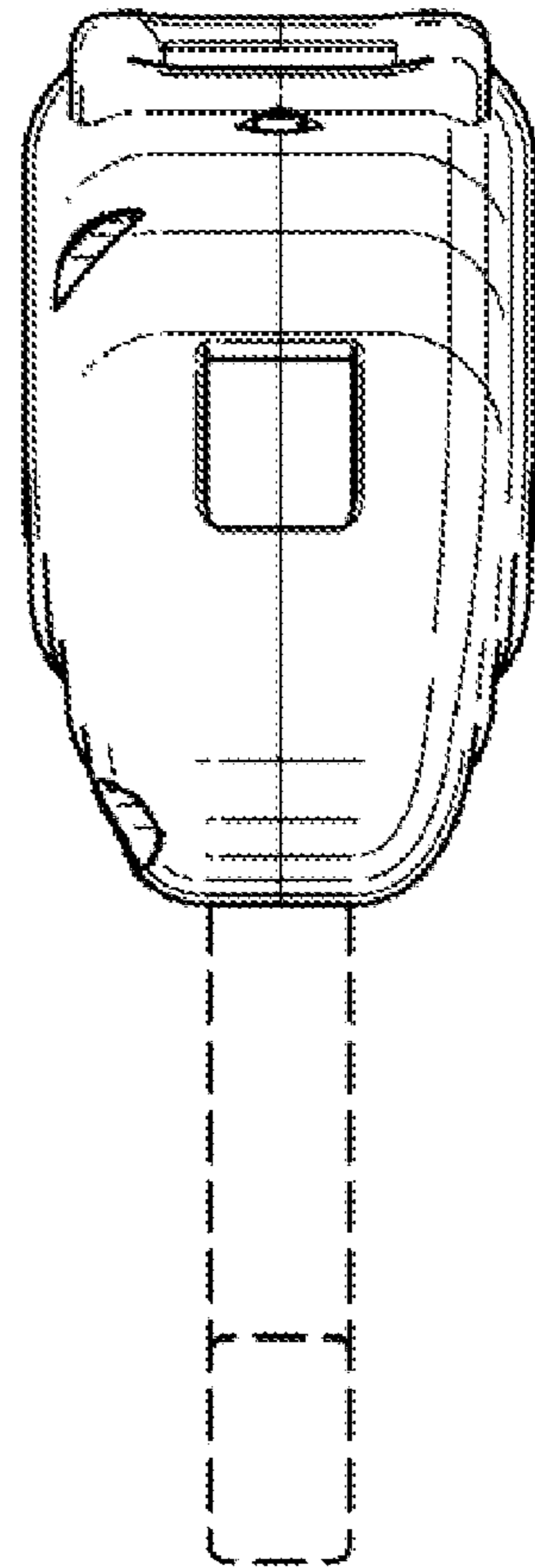


***FIG. 1***

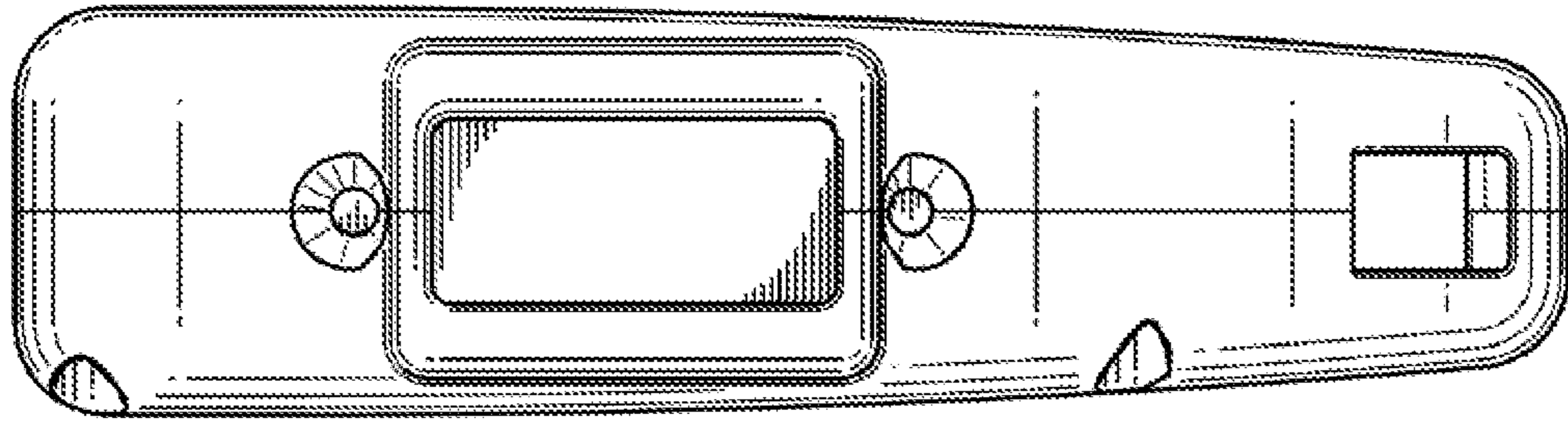




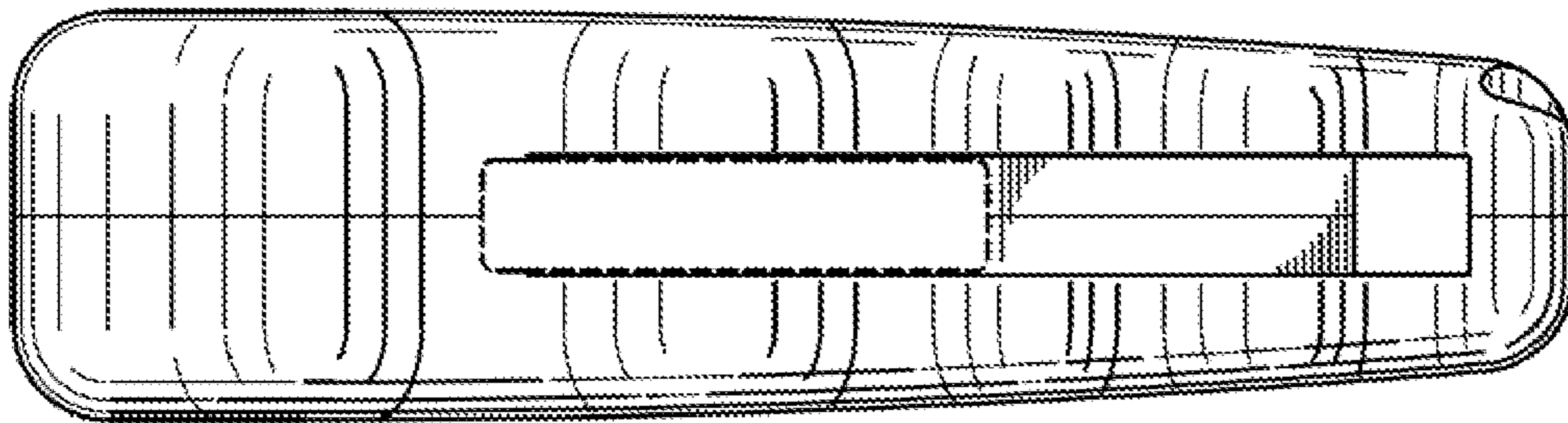
***FIG. 4***



***FIG. 5***



**FIG. 6**



**FIG. 7**