



US00D575178S

(12) **United States Design Patent**
Thybulle

(10) **Patent No.:** **US D575,178 S**

(45) **Date of Patent:** **** Aug. 19, 2008**

(54) **PORTABLE HANDHELD SCALE**

(76) Inventor: **Gregory P. R. Thybulle**, 19446 SE. 27th
Pl., Sammamish, WA (US) 98075

(**) Term: **14 Years**

(21) Appl. No.: **29/299,424**

(22) Filed: **Dec. 26, 2007**

(51) **LOC (8) Cl.** **10-04**

(52) **U.S. Cl.** **D10/89**

(58) **Field of Classification Search** D10/89-90;
177/131, 148, 232, 233, 235, 238, 243, 225,
177/25.13

See application file for complete search history.

(56) **References Cited**

U.S. PATENT DOCUMENTS

| | | | | |
|----------------|--------|---------------|-------|---------|
| D502,657 S * | 3/2005 | Liao | | D10/89 |
| 6,943,304 B1 * | 9/2005 | Brady et al. | | 177/148 |
| D526,918 S * | 8/2006 | Barnes et al. | | D10/89 |
| 7,173,197 B1 * | 2/2007 | Kasperek | | 177/131 |
| 7,180,015 B2 * | 2/2007 | Hudson | | 177/131 |

* cited by examiner

Primary Examiner—Antoine D Davis

(74) *Attorney, Agent, or Firm*—Patrick J. S. Inouye; Krista A. Wittman

(57) **CLAIM**

The ornamental design for a portable handheld scale, as substantially shown and described.

DESCRIPTION

FIG. 1 is a perspective view, showing a portable handheld scale.

FIG. 2 is a right elevational view of the portable handheld scale of FIG. 1.

FIG. 3 is a left elevational view of the portable handheld scale of FIG. 1.

FIG. 4 is a rear elevational view of the portable handheld scale of FIG. 1.

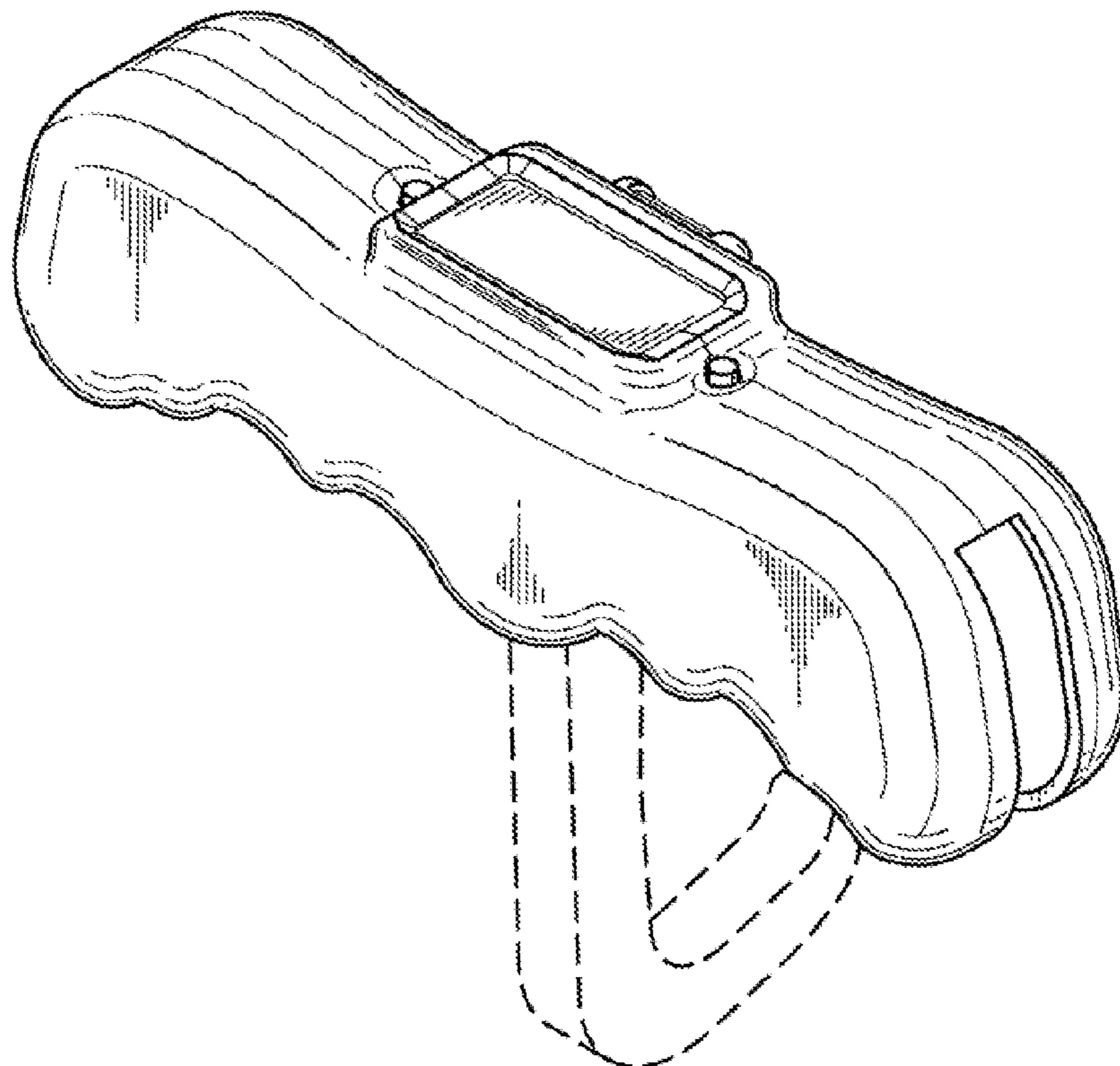
FIG. 5 is a front elevational view of the portable handheld scale of FIG. 1.

FIG. 6 is a top plan view of the portable handheld scale of FIG. 1; and,

FIG. 7 is a bottom plan view of the portable handheld scale of FIG. 1.

The broken lines shown in the drawings are for illustrative purposes only and form no part of the claimed design.

1 Claim, 4 Drawing Sheets



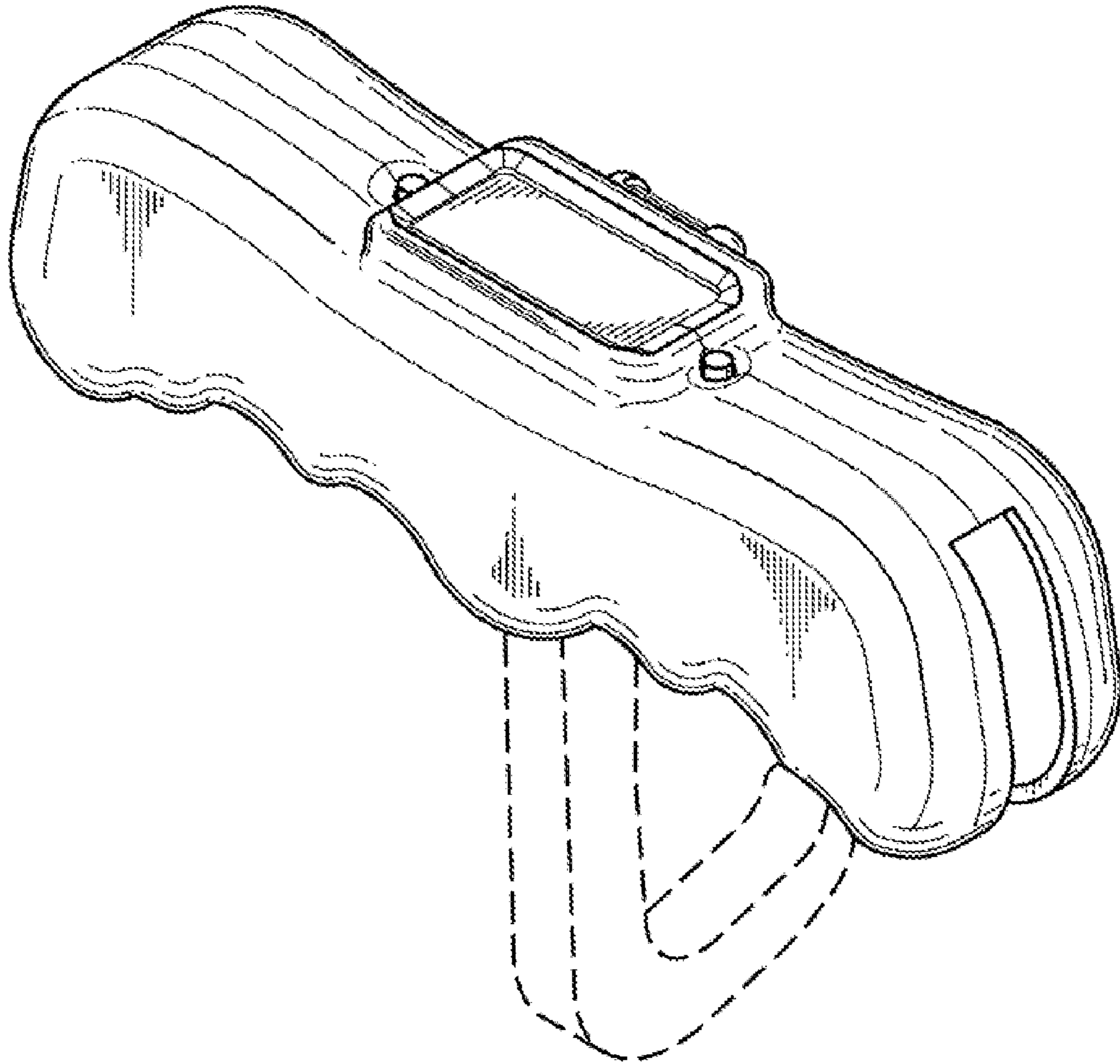


FIG. 1

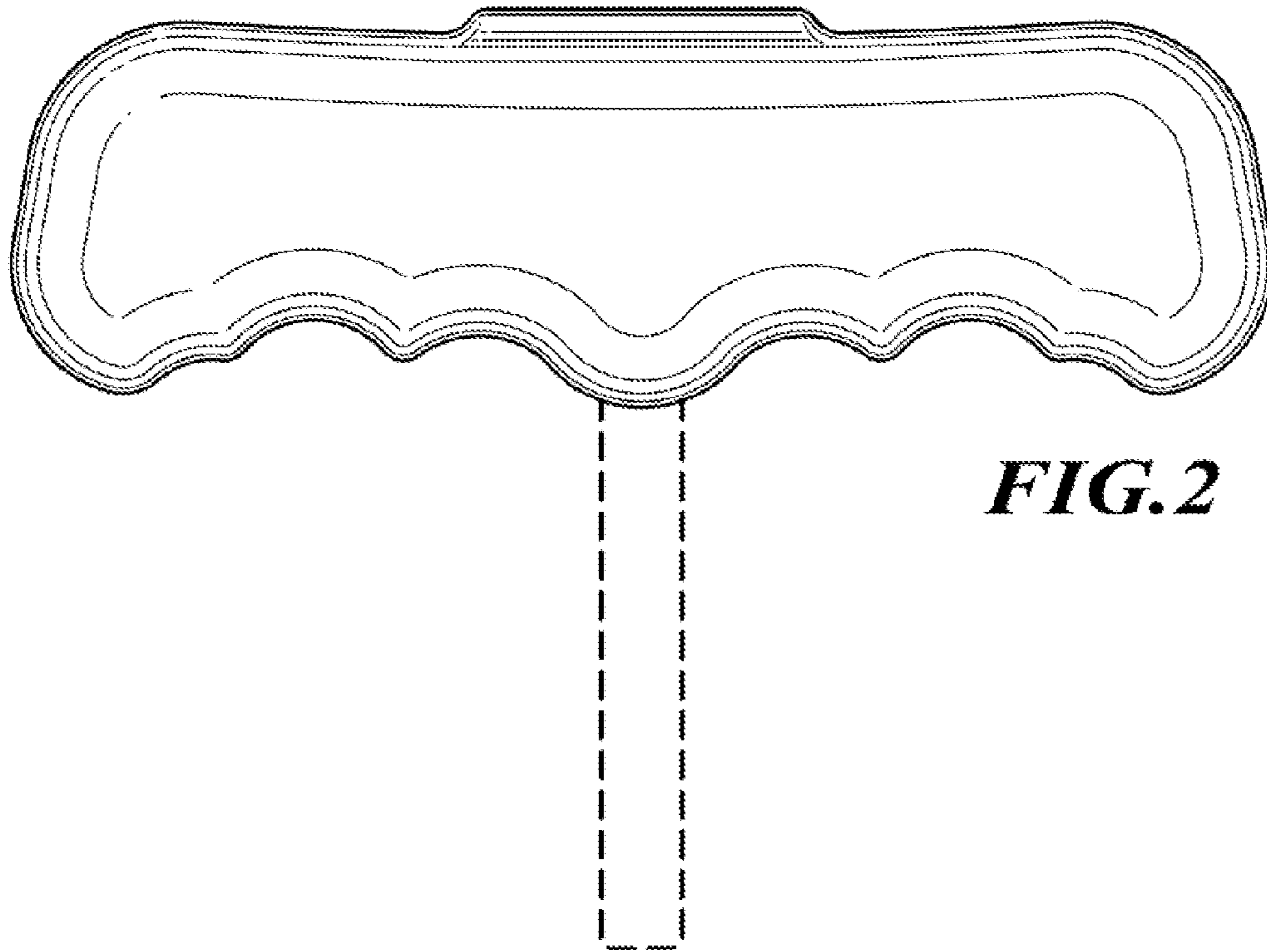


FIG. 2

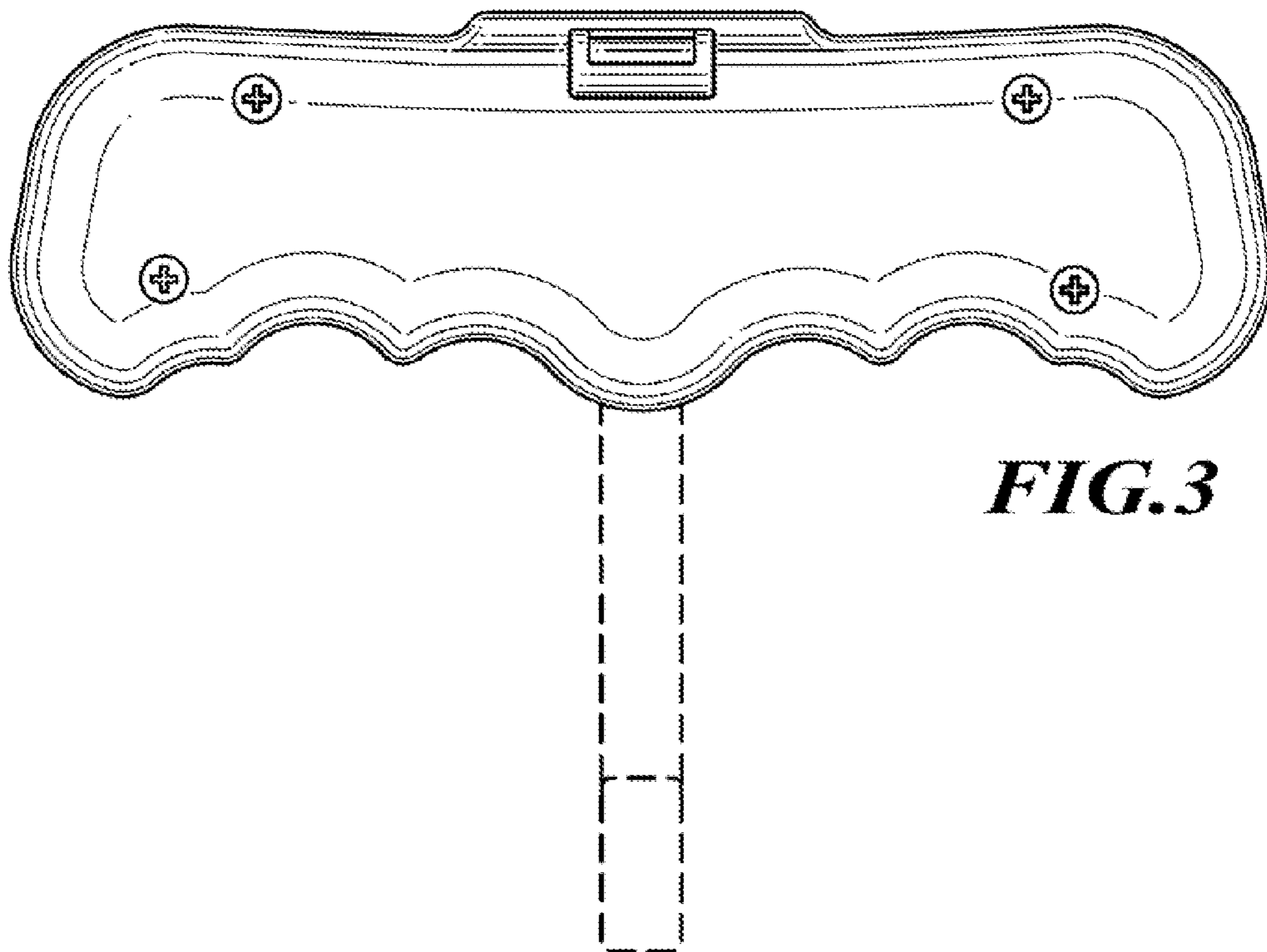


FIG. 3

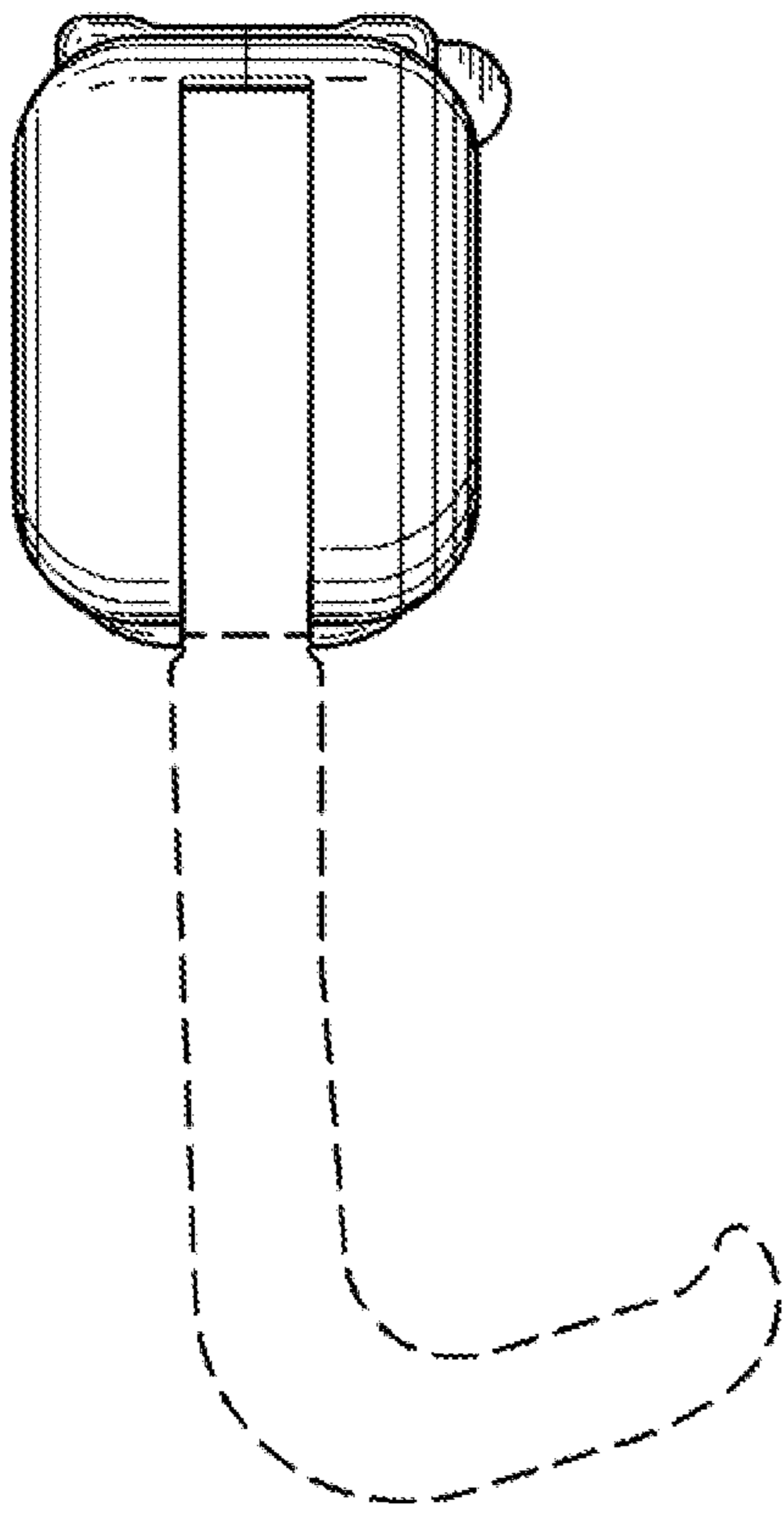


FIG. 4

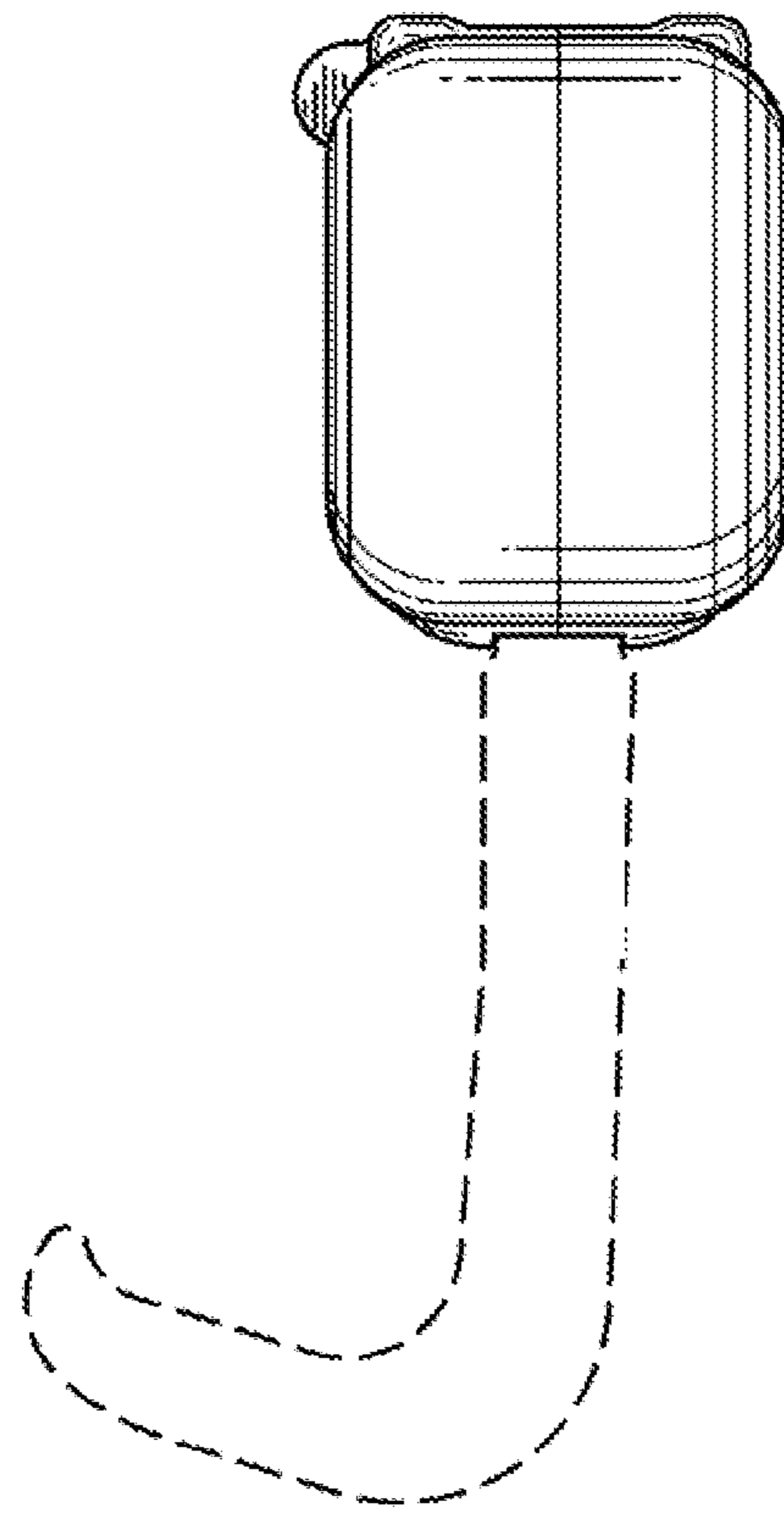


FIG. 5

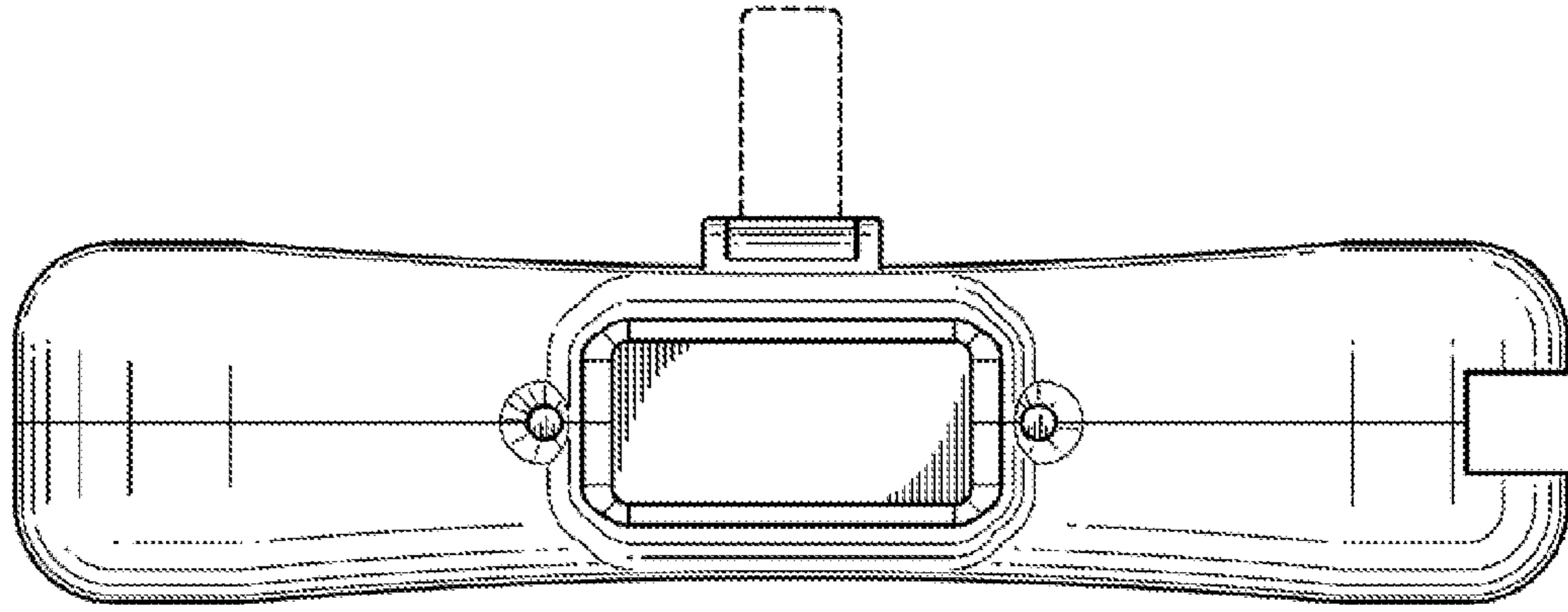


FIG. 6

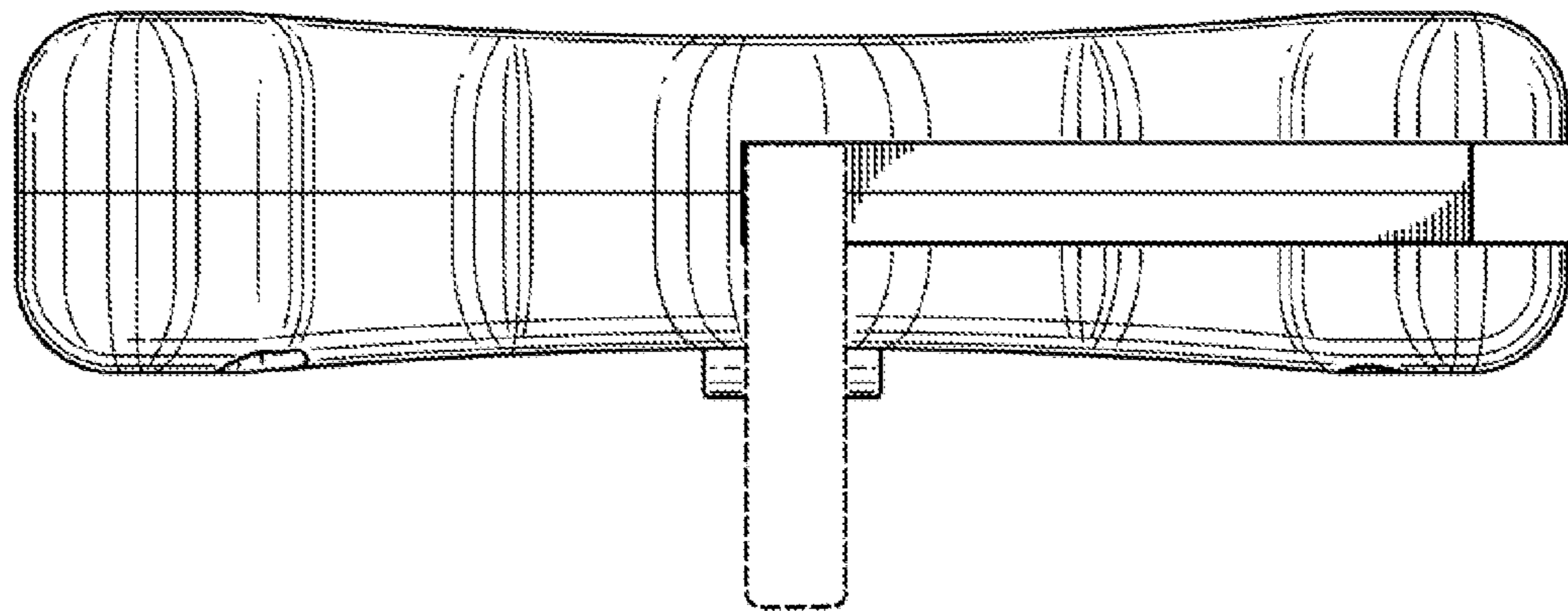


FIG. 7