



US00D575176S

(12) **United States Design Patent**
Suzuki

(10) **Patent No.:** **US D575,176 S**

(45) **Date of Patent:** **** Aug. 19, 2008**

(54) **FLUID PRESSURE CYLINDER**

(75) Inventor: **Yasunaga Suzuki**, Tsukubamirai (JP)

(73) Assignee: **SMC Corporation**, Chiyoda-ku, Tokyo (JP)

(**) Term: **14 Years**

(21) Appl. No.: **29/289,208**

(22) Filed: **Jul. 11, 2007**

(30) **Foreign Application Priority Data**

Jan. 12, 2007 (JP) 2007-000423

(51) **LOC (8) Cl.** **10-04**

(52) **U.S. Cl.** **D10/85; D15/143**

(58) **Field of Classification Search** D10/85;
D15/7, 143, 148; 91/394, 395, 407, 408;
92/5 L, 15-17, 21 MR, 28, 51-52, 68, 88,
92/128, 137, 143, 135 PR, 168, 169, 177

See application file for complete search history.

(56) **References Cited**

U.S. PATENT DOCUMENTS

D499,348 S * 12/2004 Matsumoto et al. D10/85

* cited by examiner

Primary Examiner—Antoine D Davis

(74) *Attorney, Agent, or Firm*—Peter Ganjian

(57) **CLAIM**

The ornamental design for a fluid pressure cylinder, as shown and described.

DESCRIPTION

FIG. 1 shows a front view of a fluid pressure cylinder showing my new design;

FIG. 2 shows a rear view thereof;

FIG. 3 shows a top view thereof;

FIG. 4 shows a bottom view thereof;

FIG. 5 shows a left side view thereof;

FIG. 6 shows a right side view thereof; and,

FIG. 7 shows a perspective side view thereof.

1 Claim, 4 Drawing Sheets

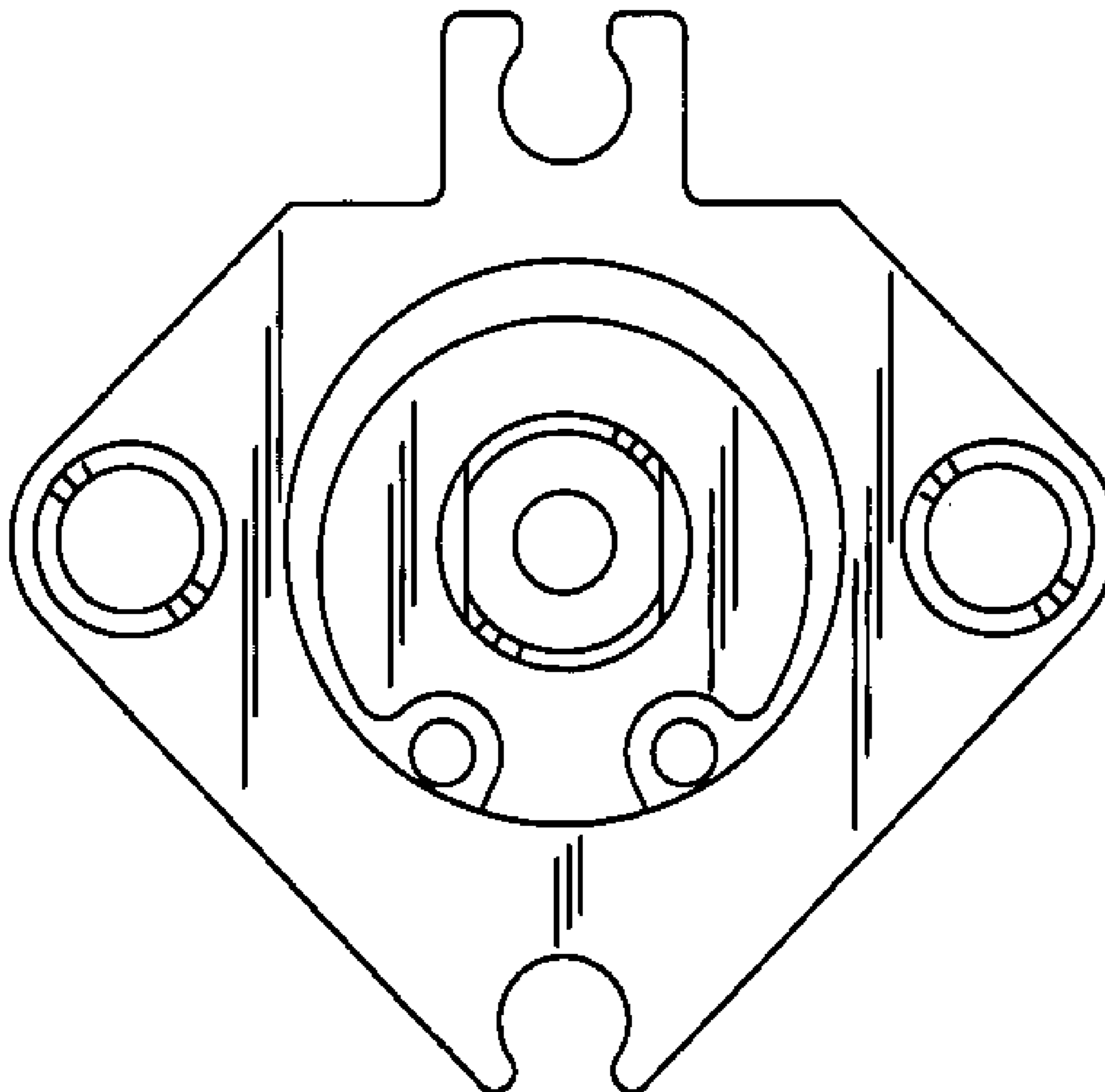


FIG. 1

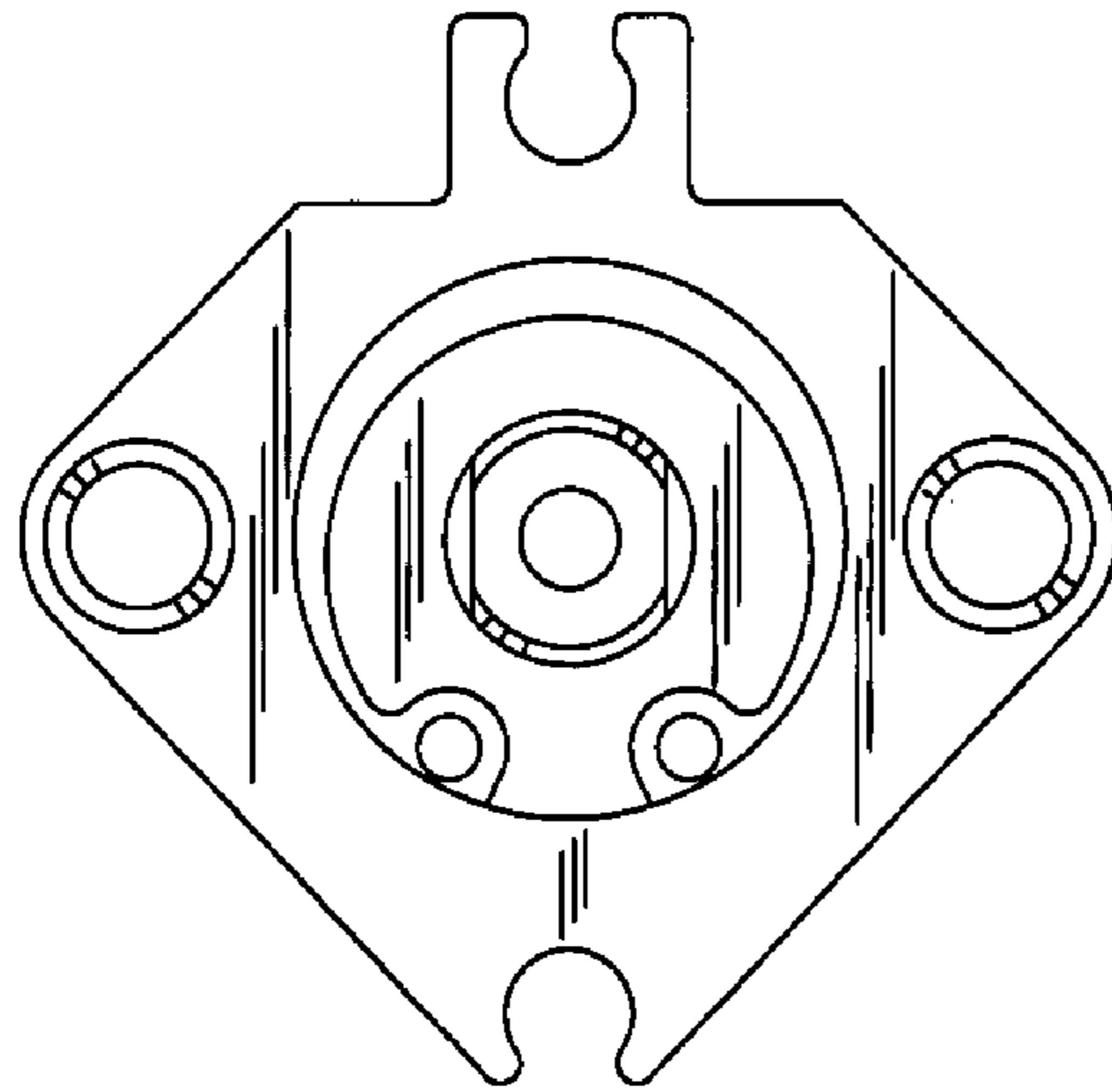


FIG. 2

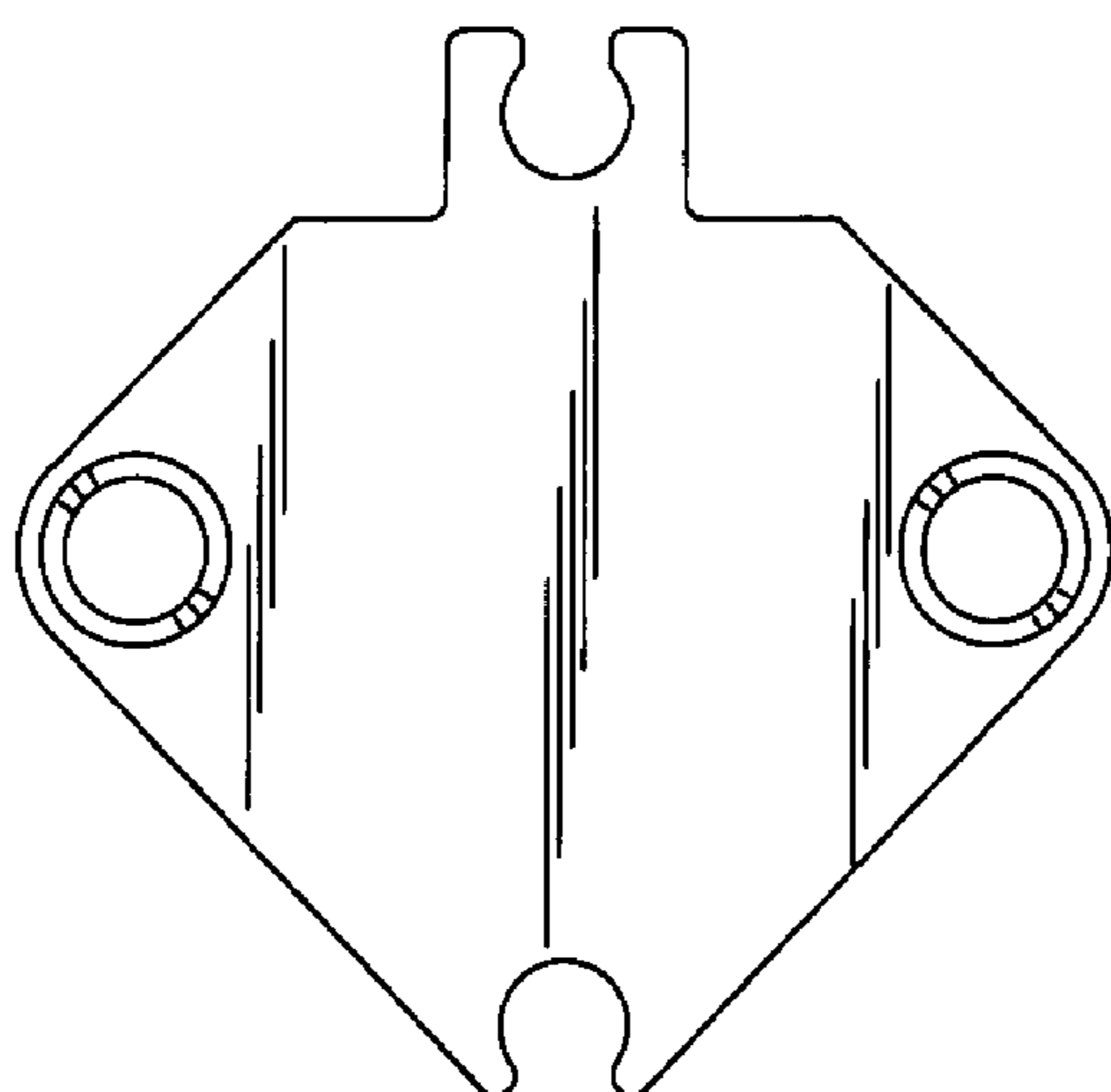


FIG. 3

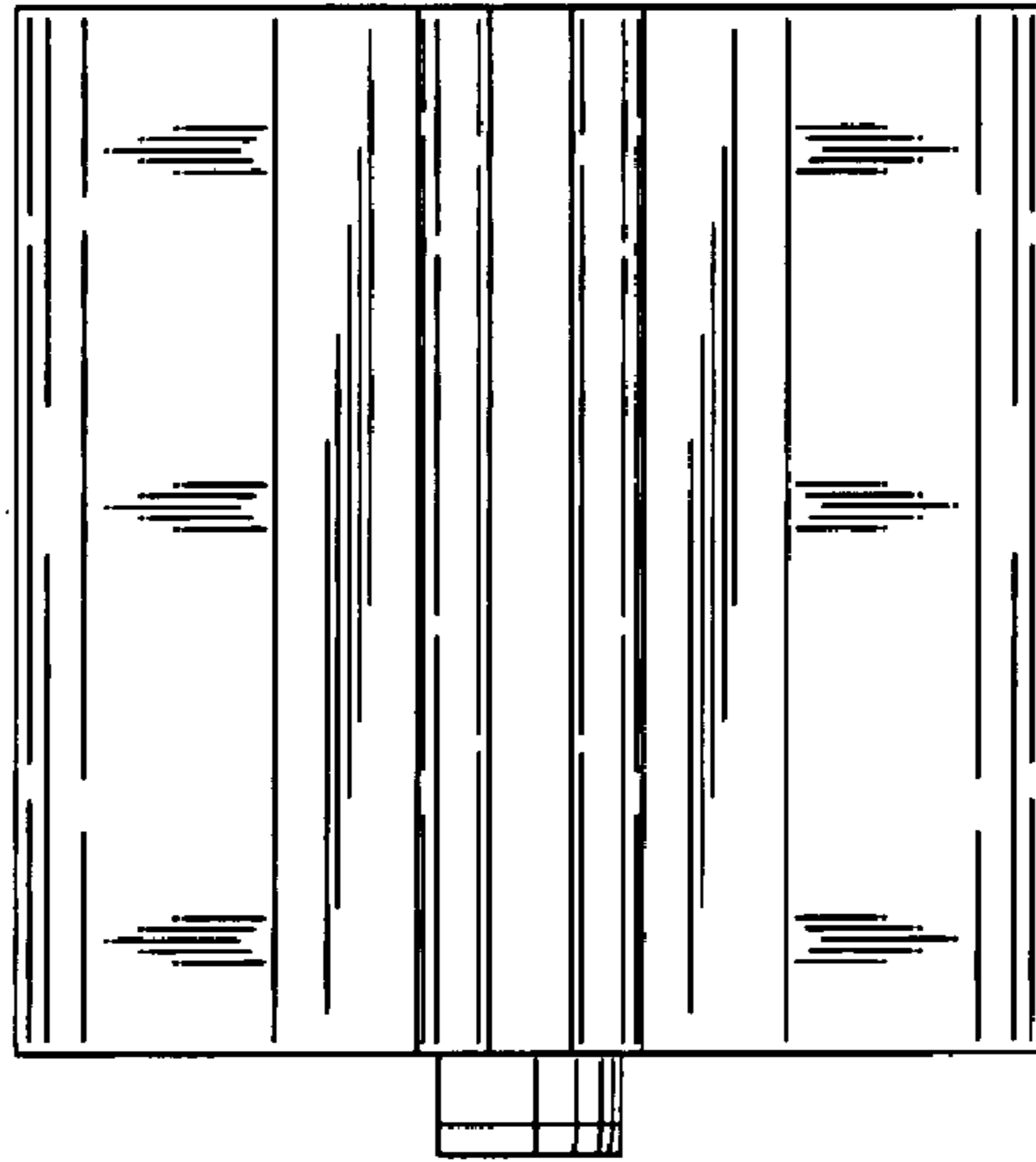


FIG. 4

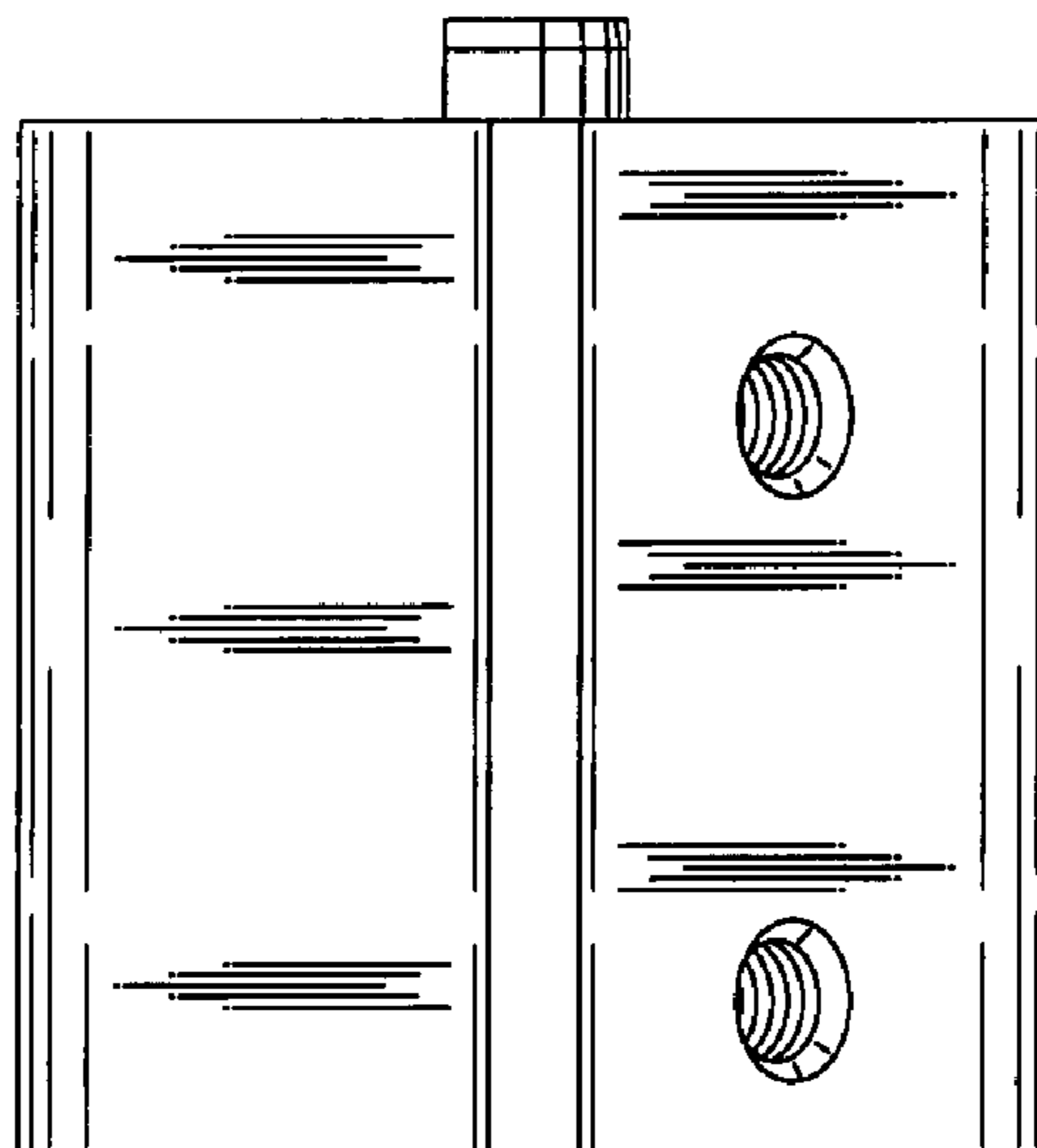


FIG. 5

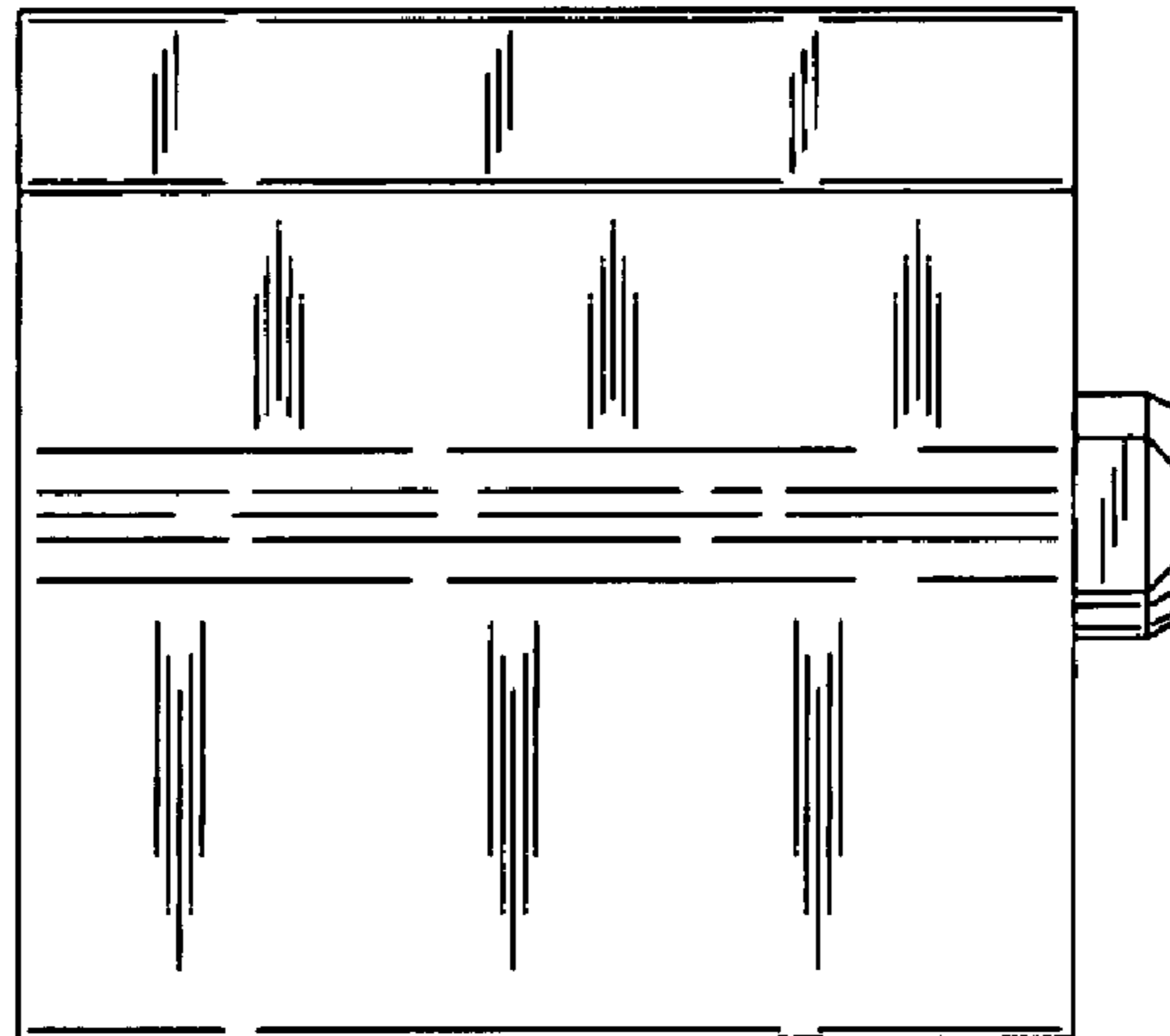


FIG. 6

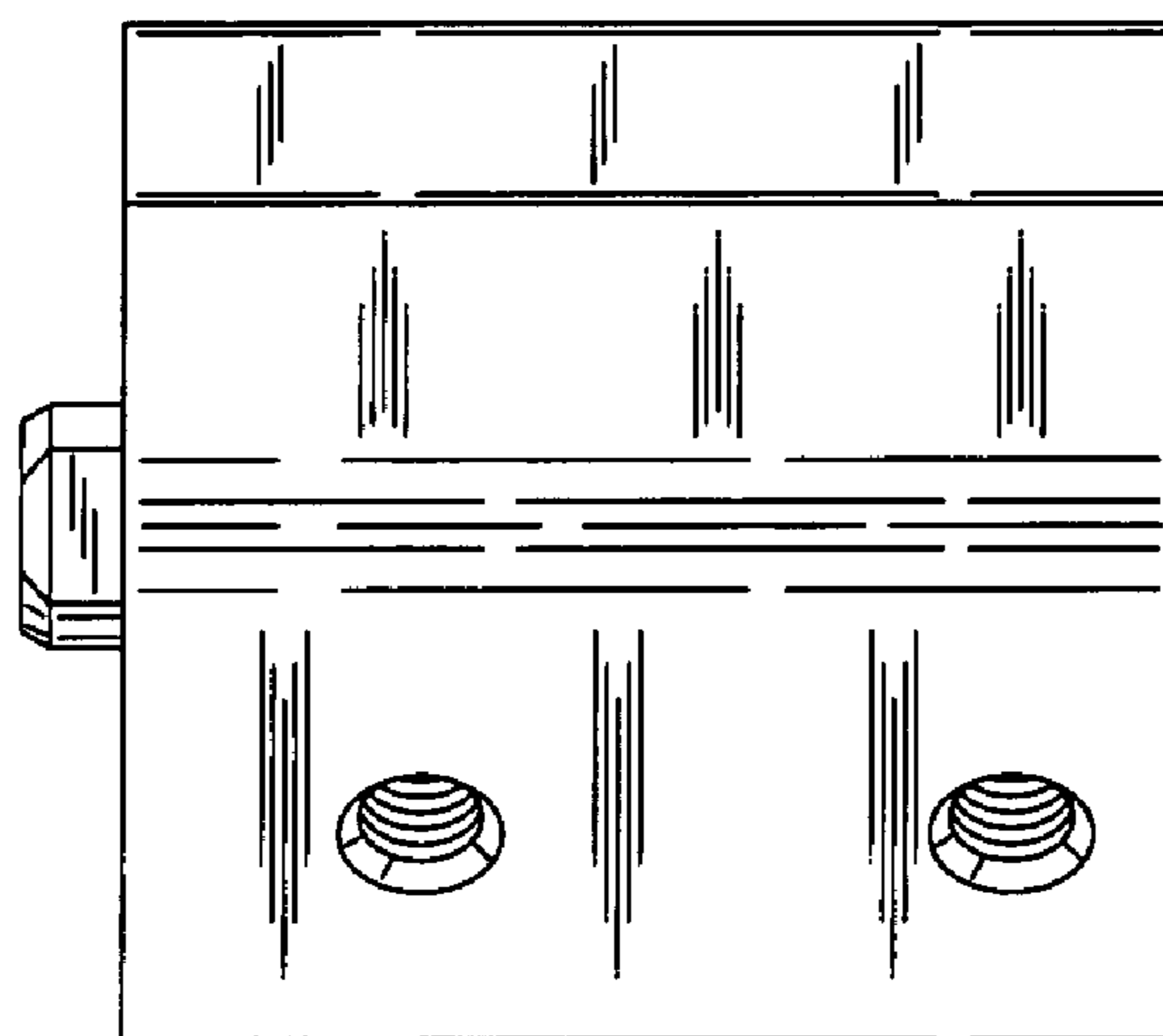


FIG. 7

