



US00D575175S

(12) **United States Design Patent**  
**Suzuki**

(10) **Patent No.:** **US D575,175 S**

(45) **Date of Patent:** **\*\* Aug. 19, 2008**

(54) **FLUID PRESSURE CYLINDER**

(75) Inventor: **Yasunaga Suzuki**, Tsukubamirai (JP)

(73) Assignee: **SMC Corporation**, Chiyoda-ku, Tokyo (JP)

(\*\*) Term: **14 Years**

(21) Appl. No.: **29/289,207**

(22) Filed: **Jul. 11, 2007**

(30) **Foreign Application Priority Data**

Jan. 12, 2007 (JP) ..... 2007-000431

(51) **LOC (8) Cl.** ..... **10-04**

(52) **U.S. Cl.** ..... **D10/85; D15/143**

(58) **Field of Classification Search** ..... D10/85;

D15/7, 143, 148; 91/394, 395, 407, 408;

92/5 L, 15-17, 21 MR, 28, 51-52, 68, 88,

92/128, 137, 143, 135 PR, 168, 169, 177

See application file for complete search history.

(56) **References Cited**

U.S. PATENT DOCUMENTS

D499,348 S \* 12/2004 Matsumoto et al. .... D10/85

\* cited by examiner

*Primary Examiner*—Antoine D Davis

(74) *Attorney, Agent, or Firm*—Peter Ganjian

(57) **CLAIM**

The ornamental design for a fluid pressure cylinder, as shown and described.

**DESCRIPTION**

FIG. 1 shows a front view of a fluid pressure cylinder showing my new design;

FIG. 2 shows a rear view thereof;

FIG. 3 shows a top view thereof;

FIG. 4 shows a bottom view thereof;

FIG. 5 shows a left side view thereof;

FIG. 6 shows a right side view thereof; and,

FIG. 7 shows a perspective side view thereof.

**1 Claim, 4 Drawing Sheets**

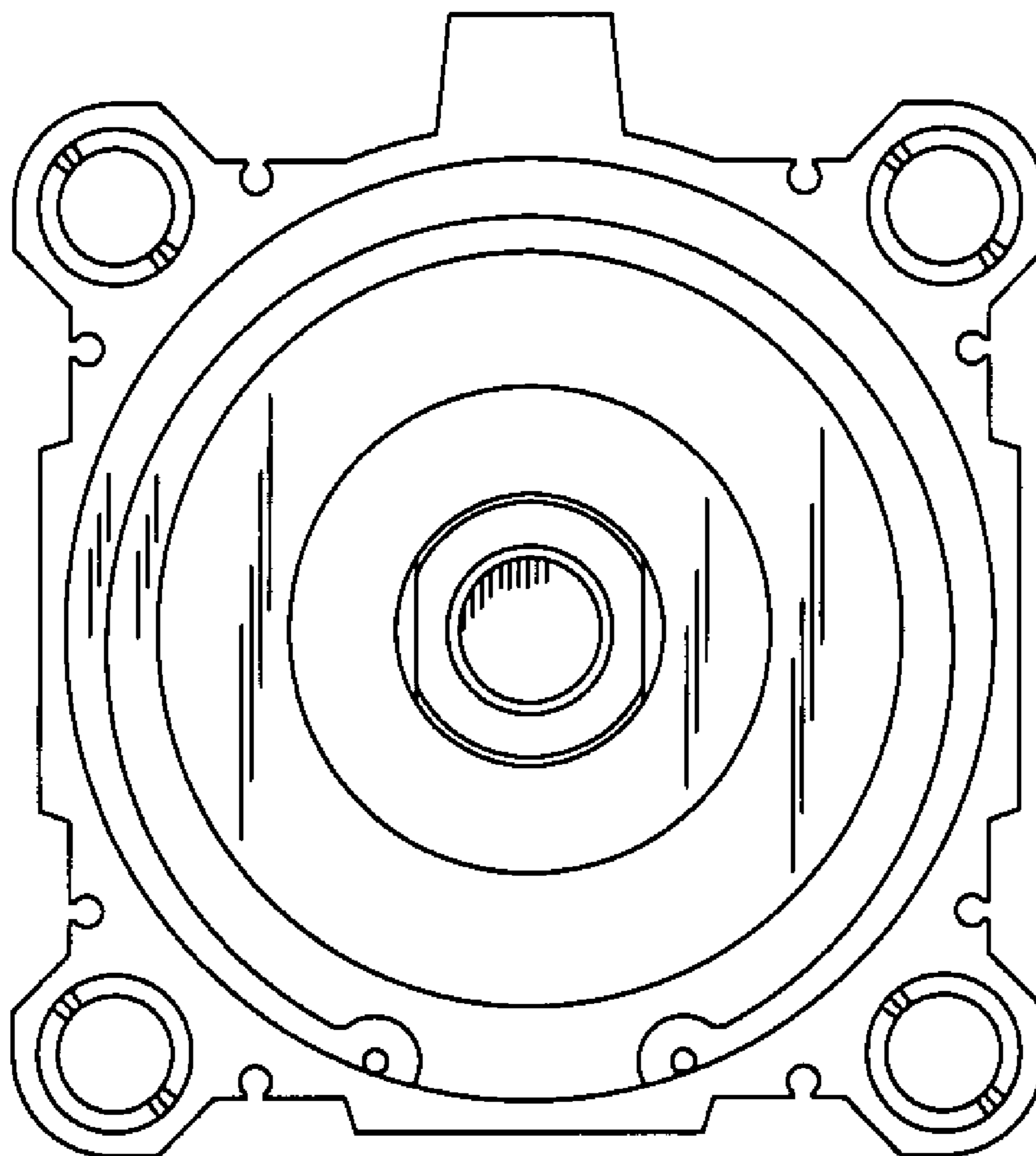


FIG. 1

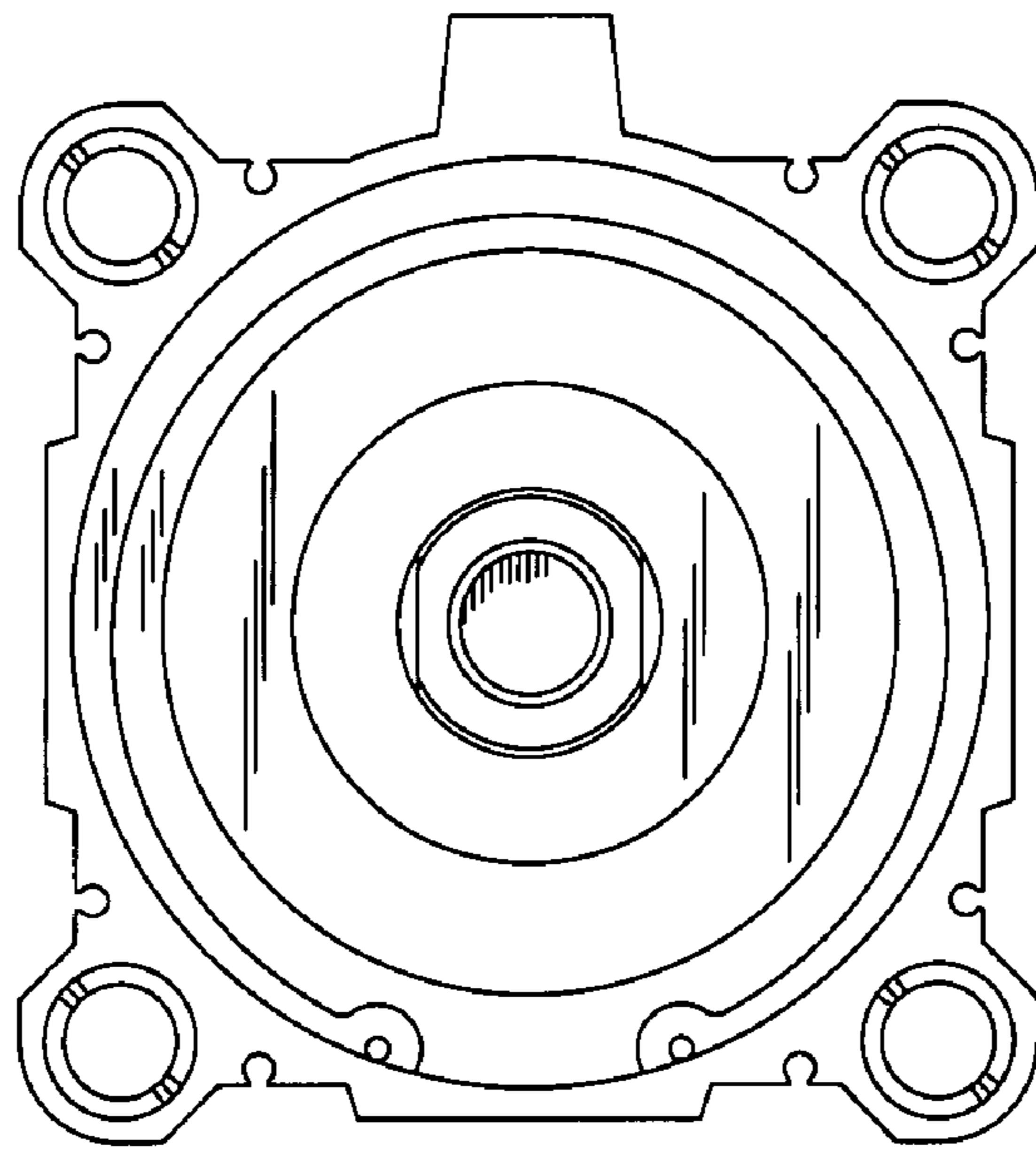


FIG. 2

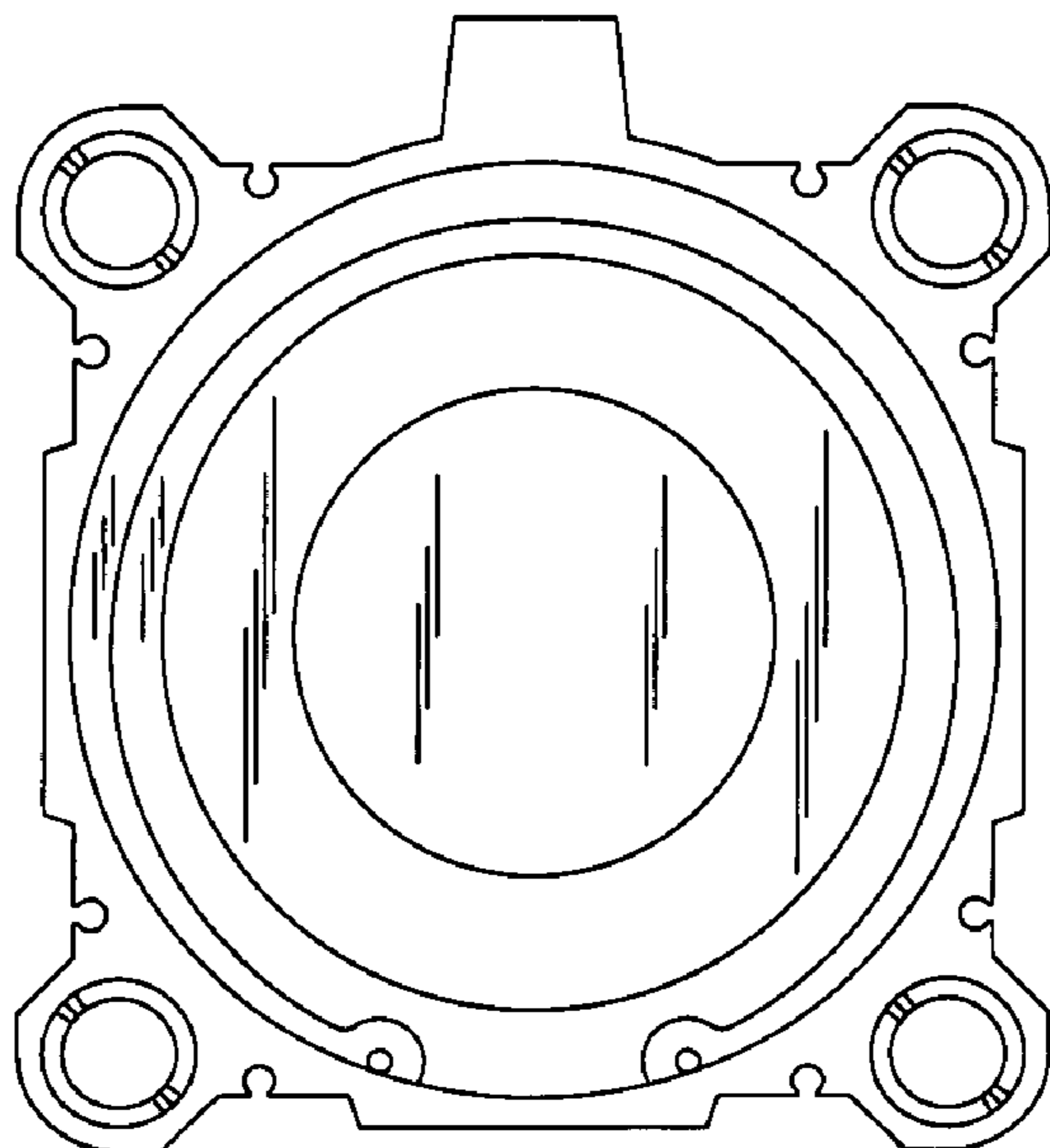


FIG. 3

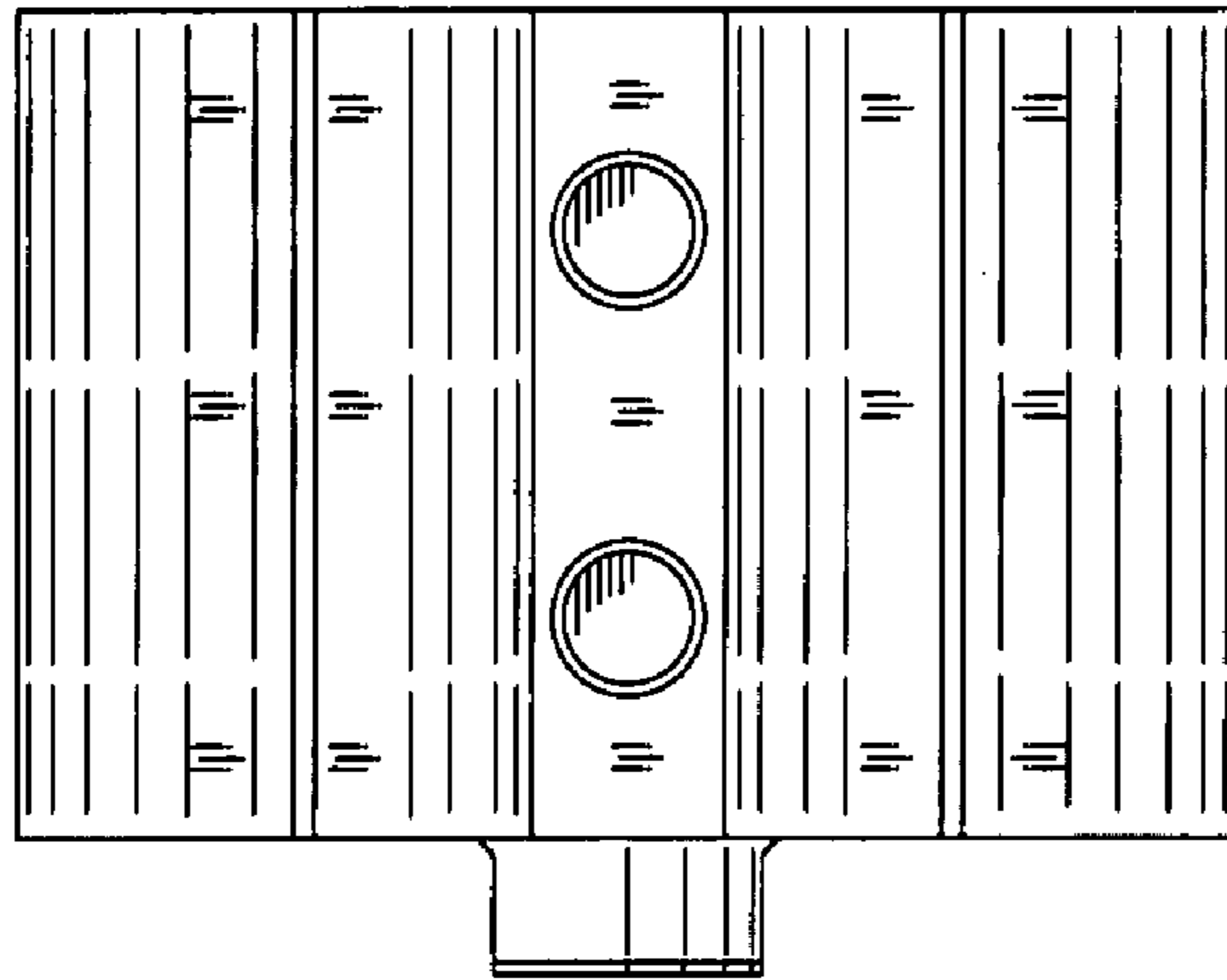


FIG. 4

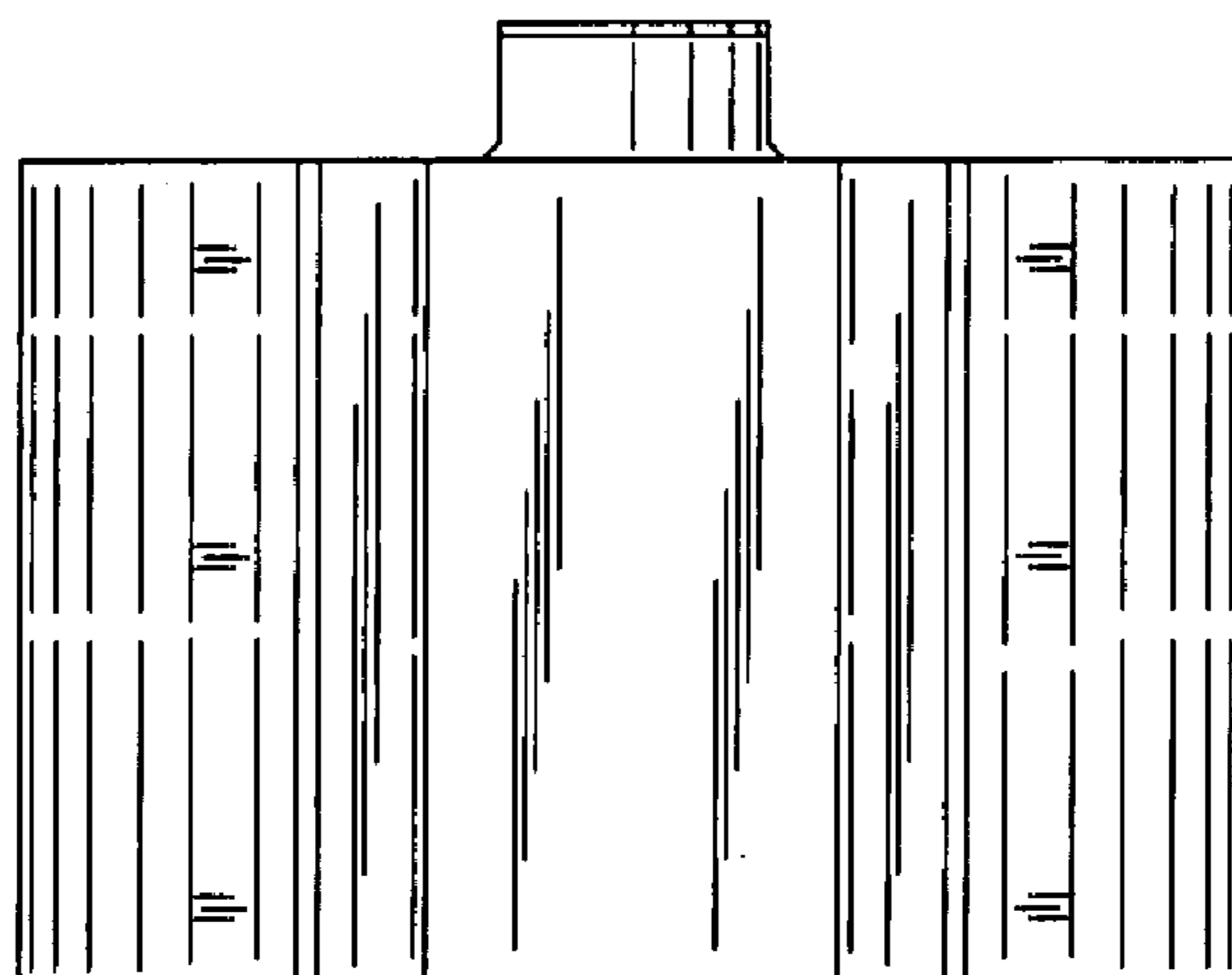


FIG. 5

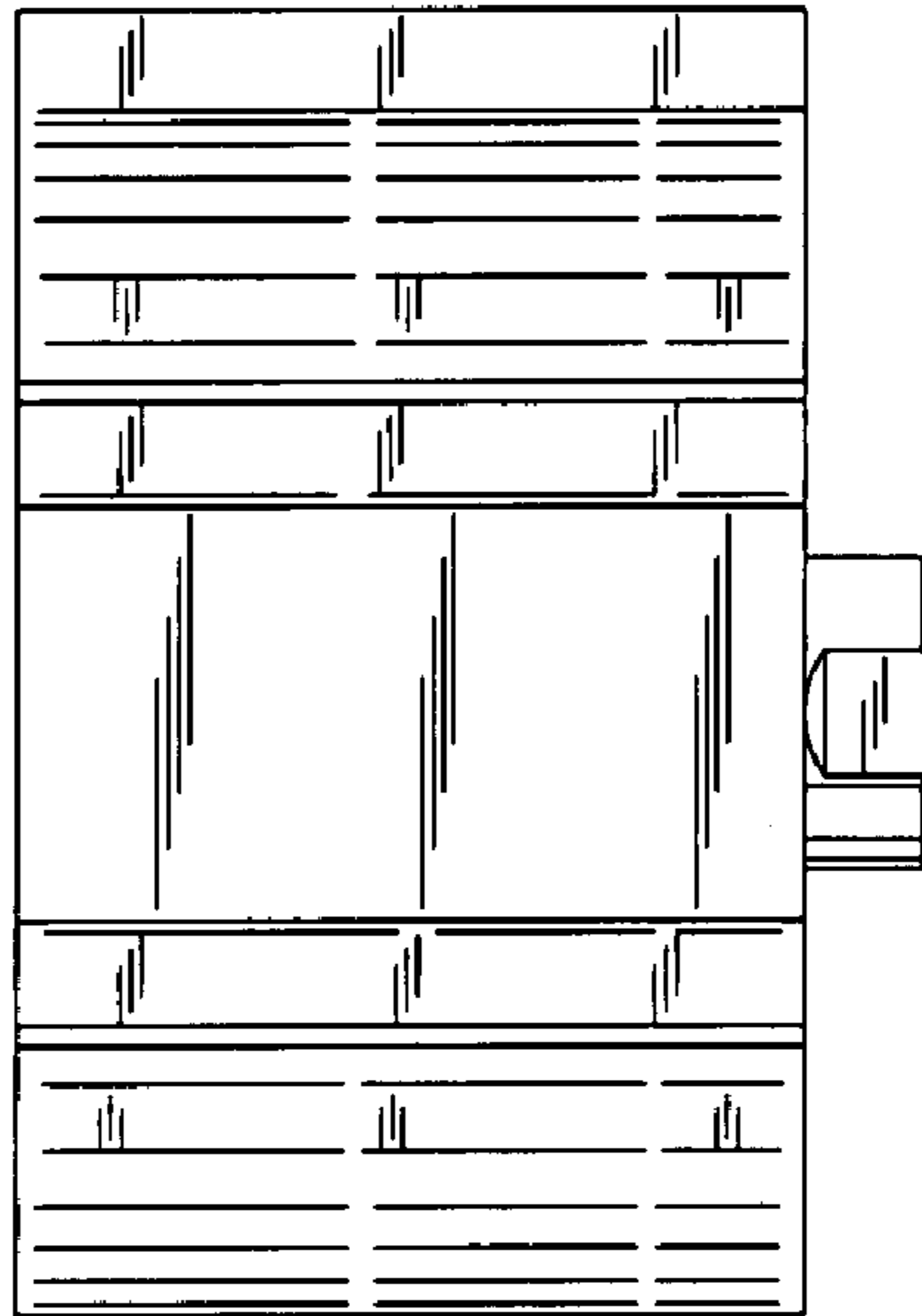


FIG. 6

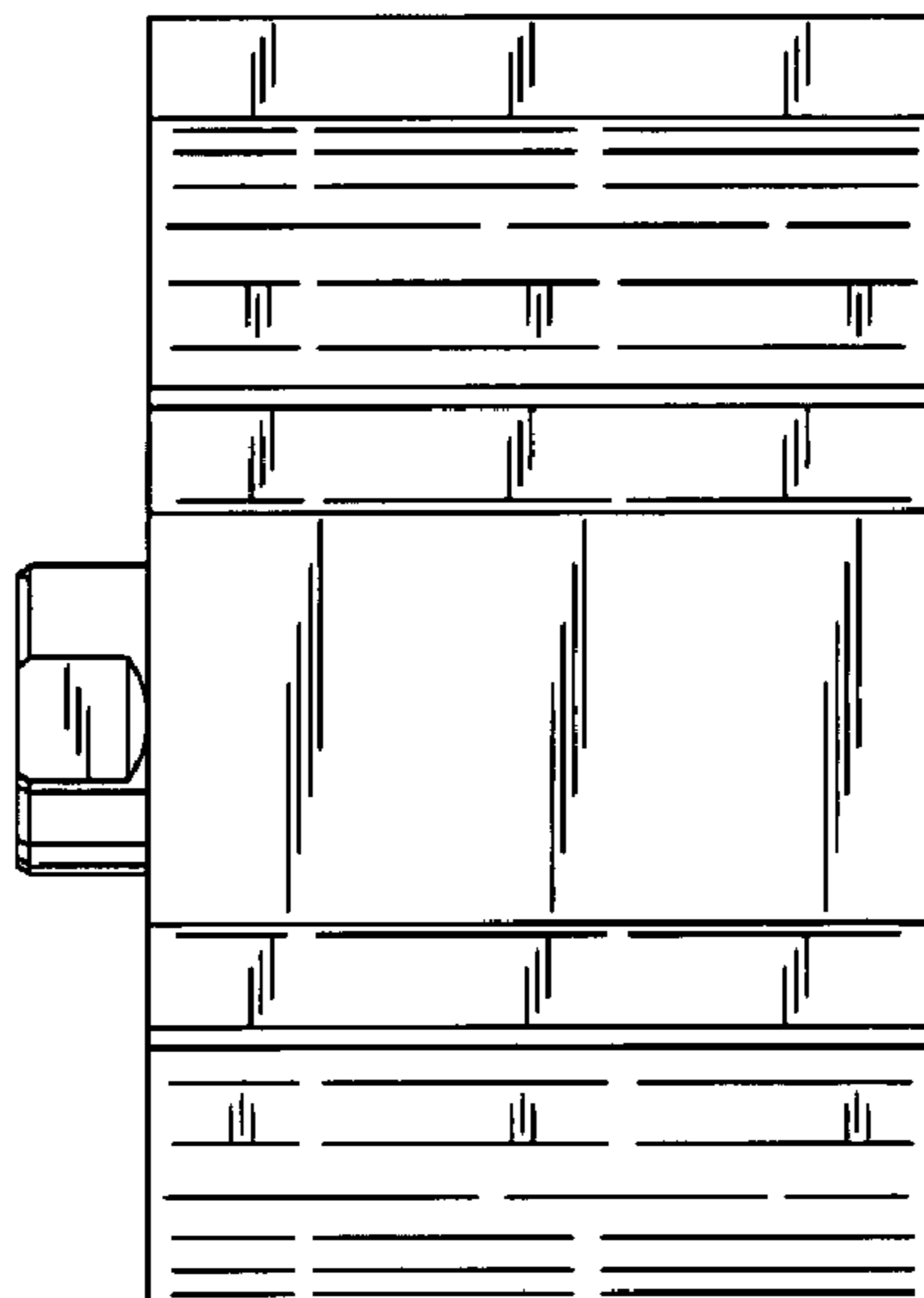


FIG. 7

