



US00D575171S

(12) **United States Design Patent**
Miyawaki

(10) **Patent No.:** **US D575,171 S**

(45) **Date of Patent:** **** Aug. 19, 2008**

(54) **PORTABLE NAVIGATION WITH DIGITAL AUDIO PLAYER**

D563,245 S * 3/2008 Deboves et al. D10/65

FOREIGN PATENT DOCUMENTS

(75) Inventor: **Masayuki Miyawaki**, Chigasaki (JP)

JP D-1074803 6/2000

(73) Assignee: **Clarion Co., Ltd.**, Tokyo (JP)

JP D-1158986 11/2002

(**) Term: **14 Years**

JP D-1203787 4/2004

(21) Appl. No.: **29/290,231**

JP D-1225185 12/2004

(22) Filed: **Nov. 7, 2007**

JP D-1239911 5/2005

(51) **LOC (8) Cl.** **10-04**

JP D-1264259 3/2006

(52) **U.S. Cl.** **D10/65**

JP D-1264663 3/2006

(58) **Field of Classification Search** D10/65,
D10/70; D14/347; 342/351, 419, 457, 357.06–357.16;
343/702; 345/87, 104, 133, 156, 168, 173,
345/901–905; 348/180, 184, 315, 739; 364/444,
364/499; 701/206–209, 213–214

JP D-1284266 10/2006

JP D-1306764 7/2007

See application file for complete search history.

* cited by examiner

Primary Examiner—Antoine D Davis

(74) *Attorney, Agent, or Firm*—Oliff & Berridge, PLC

(56) **References Cited**

(57) **CLAIM**

U.S. PATENT DOCUMENTS

The ornamental design for a portable navigation with digital audio player, as shown and described.

D506,937 S * 7/2005 Lee et al. D10/65

DESCRIPTION

D515,441 S * 2/2006 Shindo D10/65

FIG. 1 is a perspective view of a portable navigation with digital audio player;

D540,203 S * 4/2007 Jeon D10/65

FIG. 2 is a front view thereof;

D541,682 S * 5/2007 Uno D10/65

FIG. 3 is a rear view thereof;

D543,876 S * 6/2007 Kalis et al. D10/65

FIG. 4 is a right-side view thereof;

7,236,159 B1 * 6/2007 Siverson 345/173

FIG. 5 is a left-side view thereof;

7,262,761 B1 * 8/2007 Duarte et al. 345/168

FIG. 6 is a top view thereof; and,

7,310,050 B2 * 12/2007 Yeh 340/815.83

FIG. 7 is a bottom view thereof.

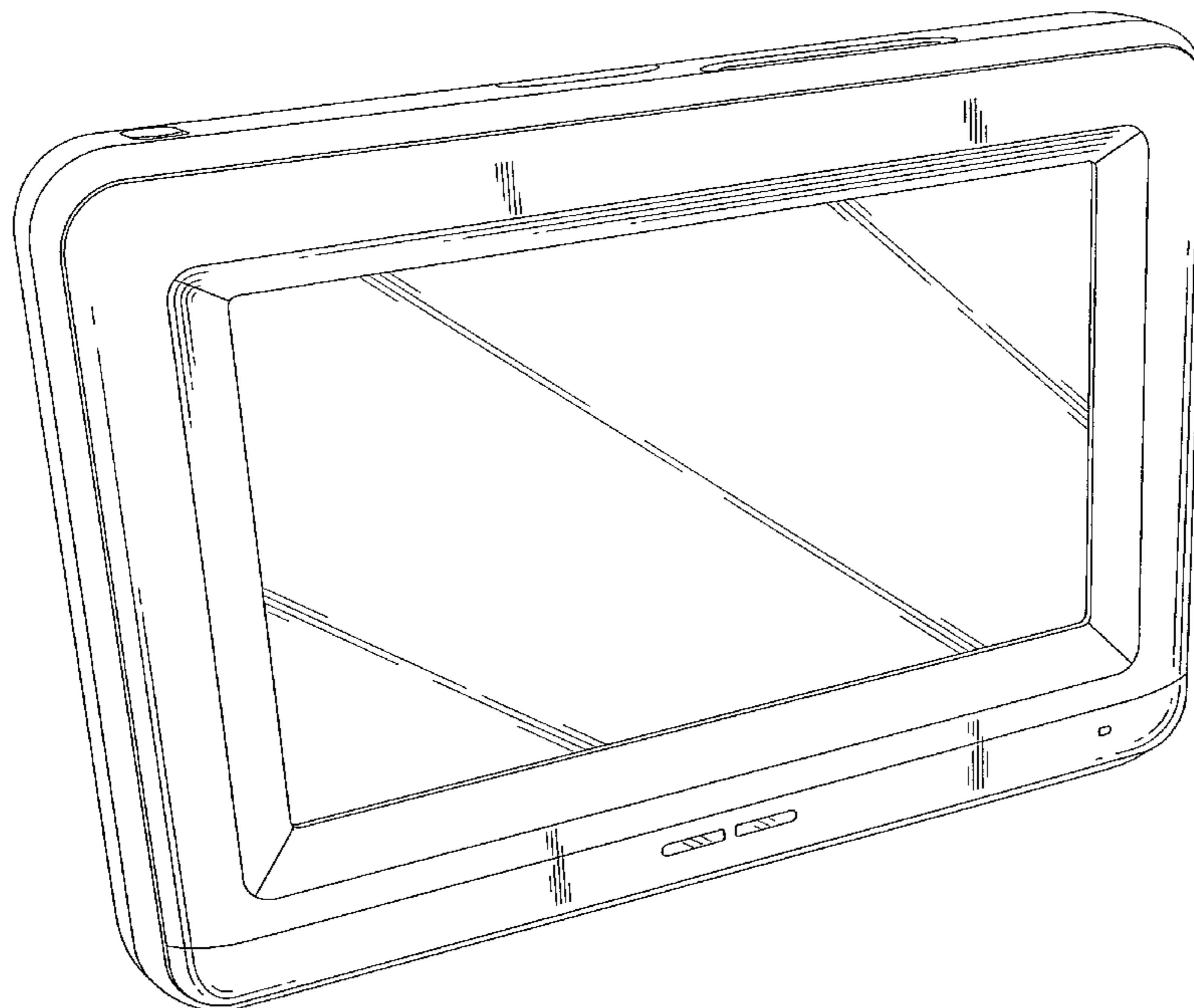
D558,619 S * 1/2008 Bloem D10/65

The broken lines depict environmental subject matter only and form no part of the claimed design.

D561,616 S * 2/2008 Park et al. D10/65

1 Claim, 5 Drawing Sheets

D561,619 S * 2/2008 Miyawaki D10/65



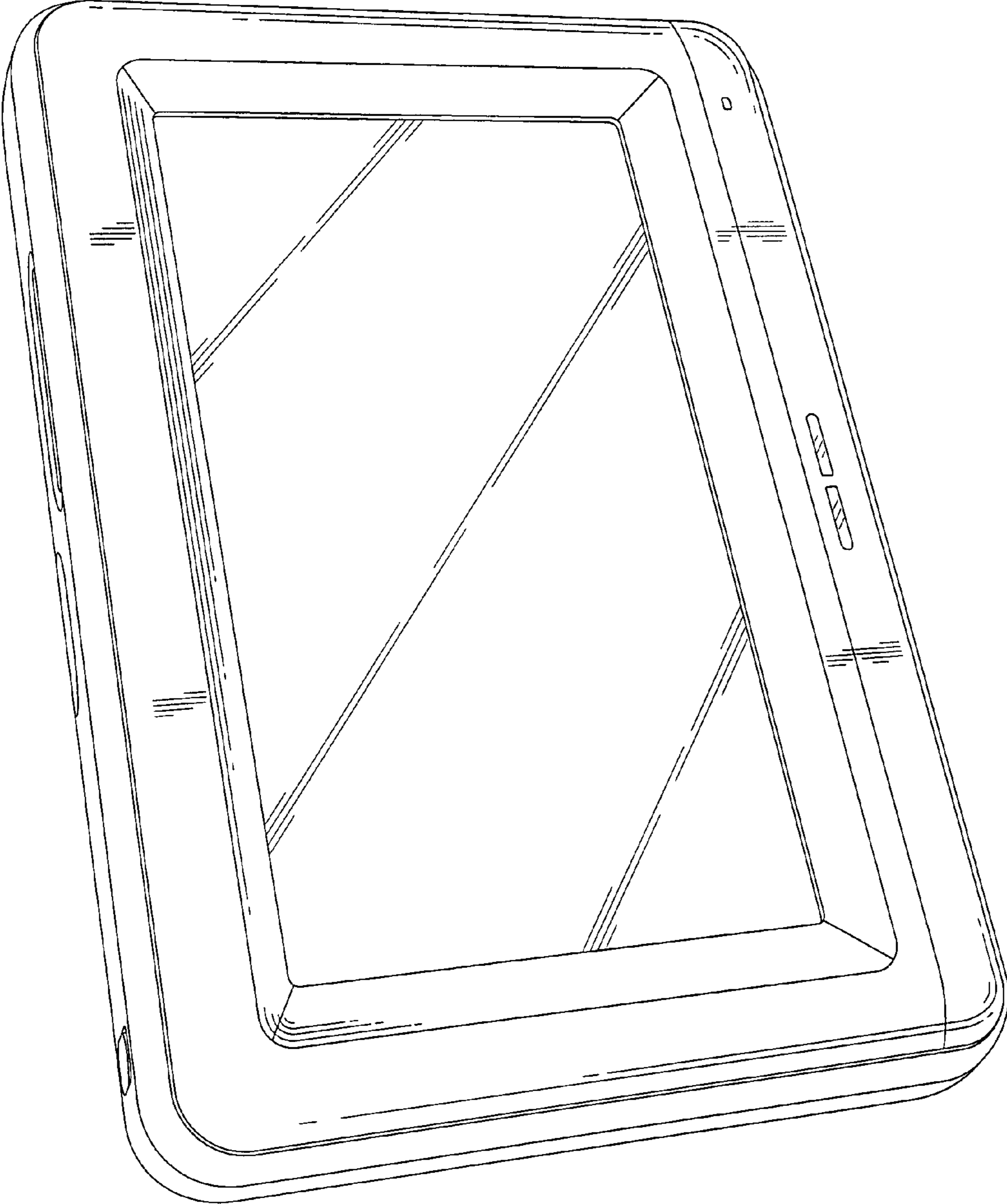


FIG. 1

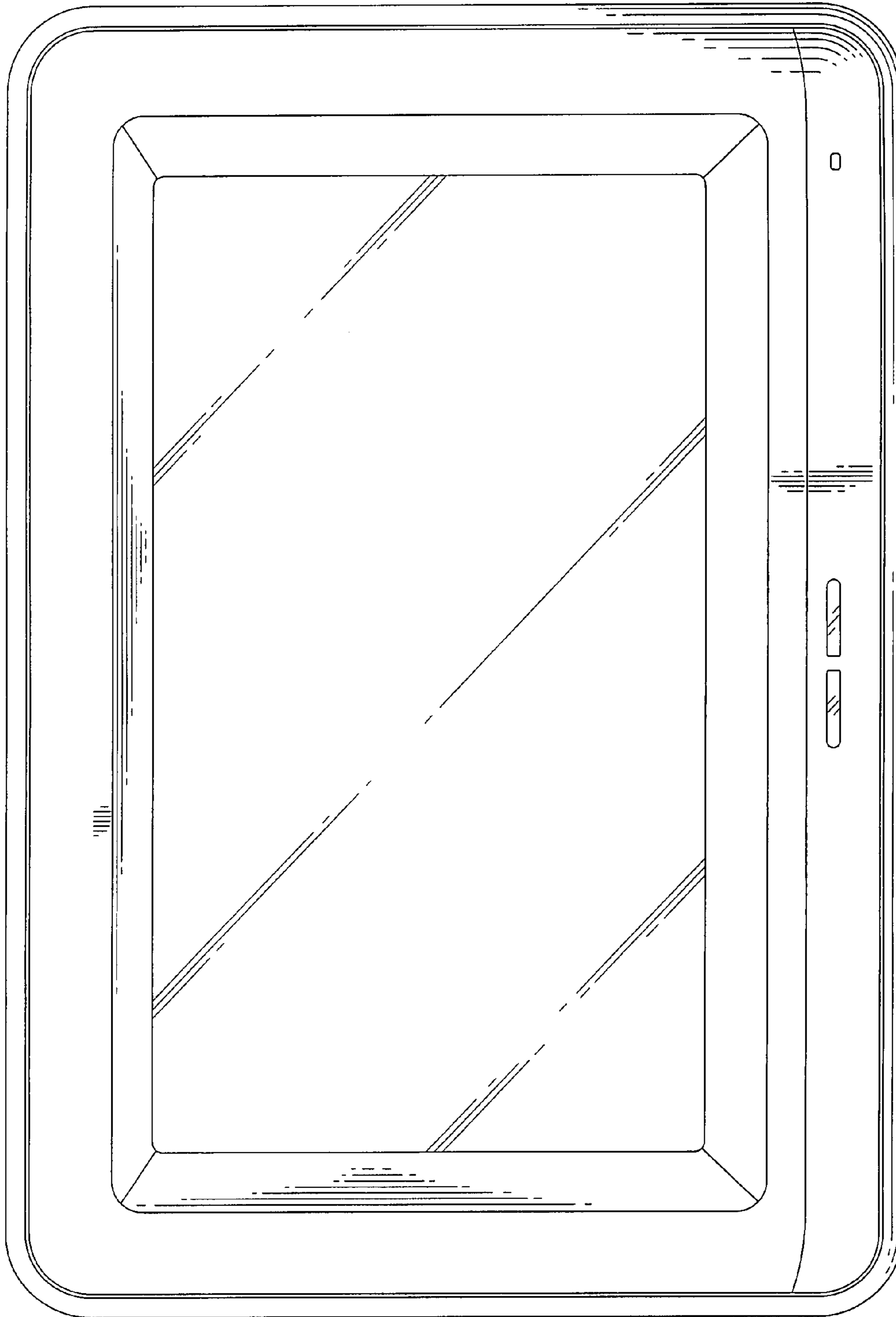


FIG. 2

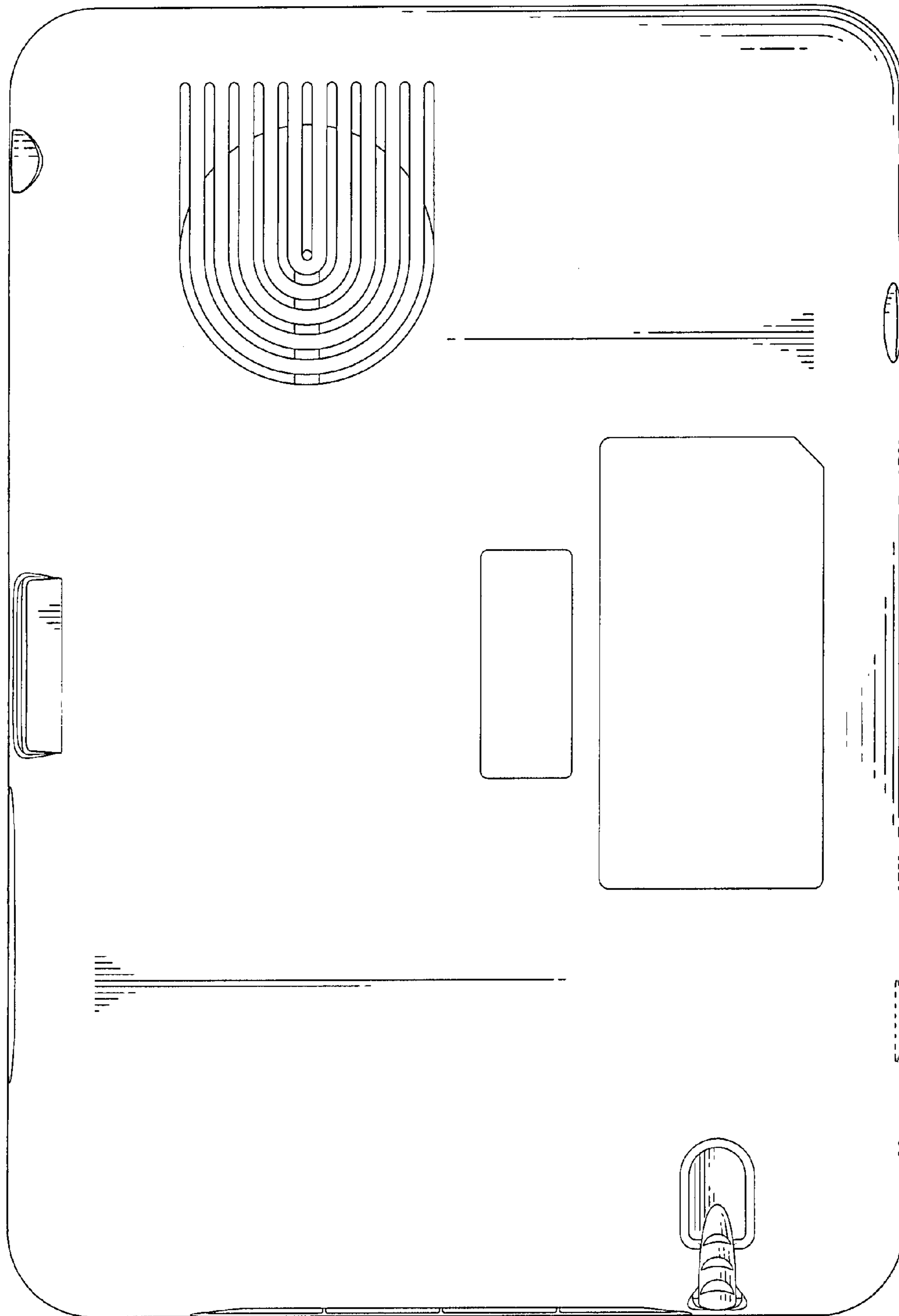


FIG. 3

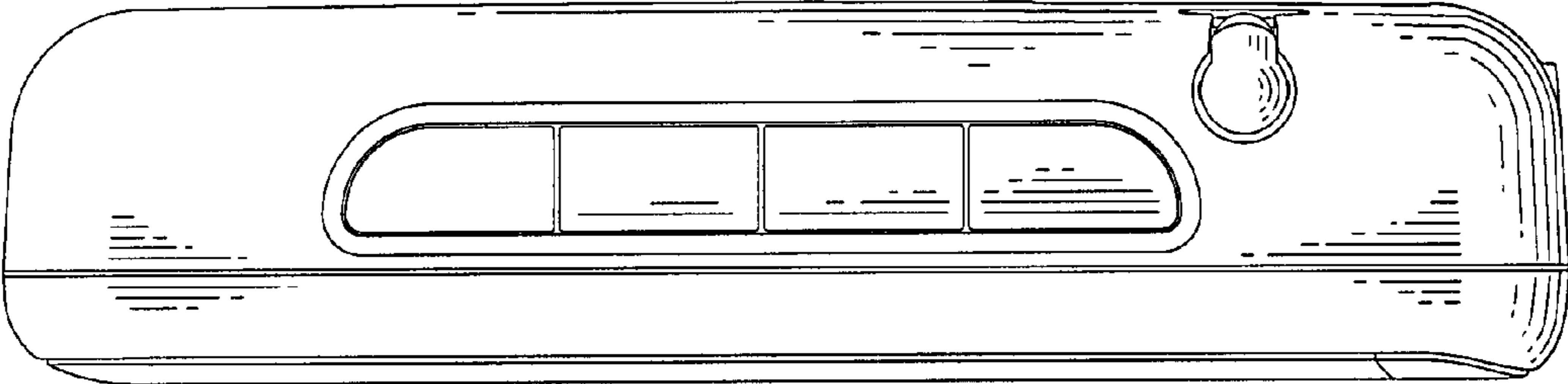


FIG. 4

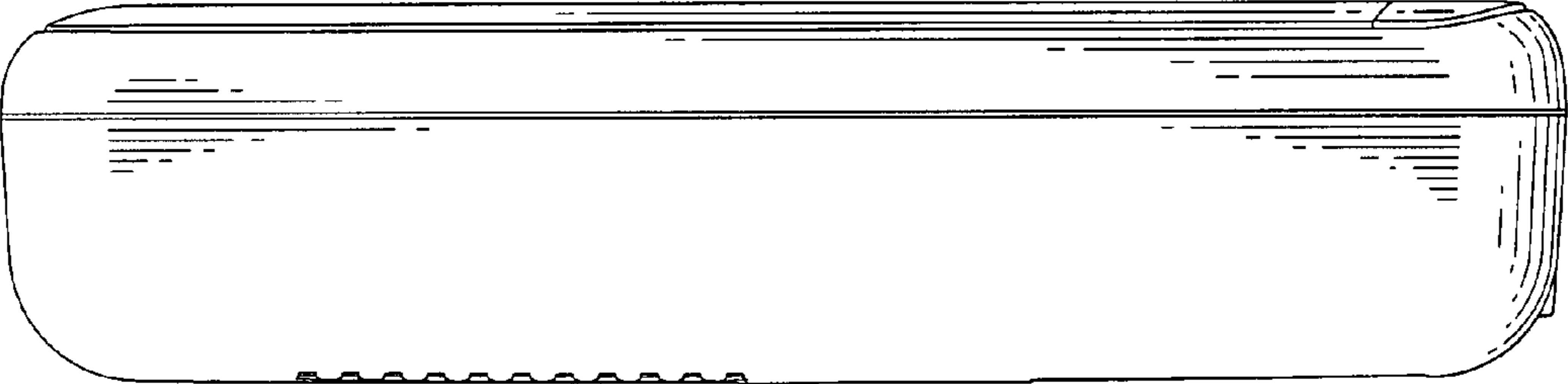


FIG. 5

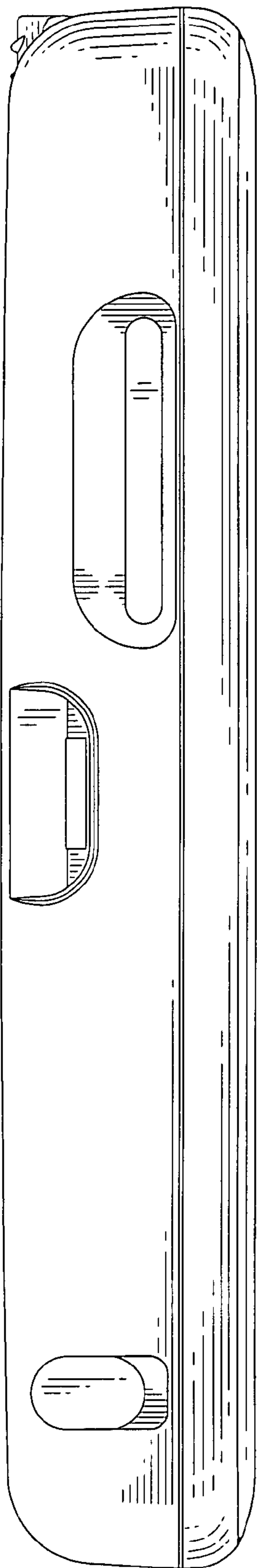


FIG. 6

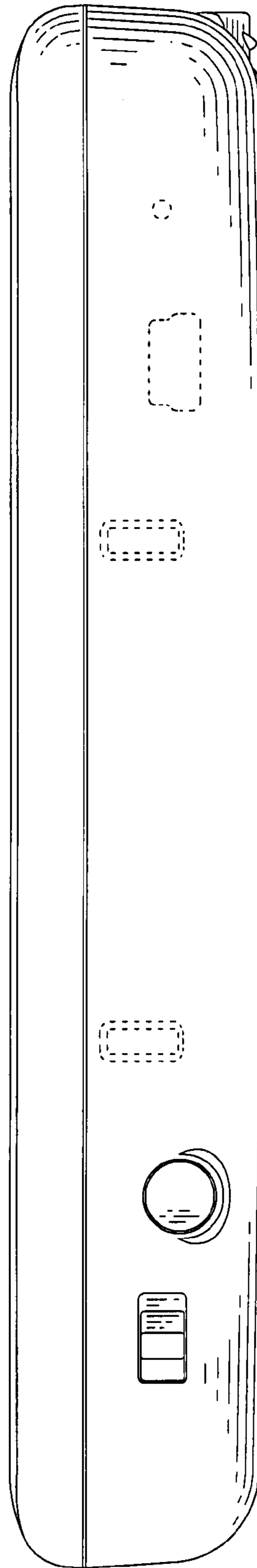


FIG. 7