



US00D575164S

(12) **United States Design Patent**  
**Billings**

(10) **Patent No.:** **US D575,164 S**  
(45) **Date of Patent:** **\*\* Aug. 19, 2008**

(54) **NOVELTY CONTAINER WITH PUPPET**

(57) **CLAIM**

(76) **Inventor:** **Michael J. Billings**, 545 Longfellow Ave., Deerfield, IL (US) 60015

The ornamental design for a novelty container with puppet, as shown and described.

(\*\*) **Term:** **14 Years**

**DESCRIPTION**

(21) **Appl. No.:** **29/280,954**

FIG. 1 is a front view of the novelty container with puppet in the open position;

(22) **Filed:** **Jun. 11, 2007**

FIG. 2 is a right side view of the novelty container in the open position, the left side view (omitted) being symmetrical to the right side view;

(51) **LOC (8) Cl.** ..... **09-01**

(52) **U.S. Cl.** ..... **D9/668; D21/588**

(58) **Field of Classification Search** ..... D9/618-619, D9/668, 414, 420; D11/160-161; D21/587-589, D21/635; 206/457, 822; 446/327

FIG. 3 is a top view of the novelty container in the open position;

See application file for complete search history.

FIG. 4 is a bottom view of the novelty container in the open position;

(56) **References Cited**

**U.S. PATENT DOCUMENTS**

- 2,187,407 A \* 1/1940 Stone ..... 446/327
- 3,624,939 A \* 12/1971 Gossard ..... 206/0.84
- D390,778 S \* 2/1998 Lee ..... D9/668
- D494,643 S \* 8/2004 Bresciani et al. .... D21/623
- D509,545 S \* 9/2005 Nash ..... D21/635

FIG. 5 is a front view of the novelty container in the closed position;

FIG. 6 is a right side view of the novelty container in the closed position, the left side view (omitted) being symmetrical to the right side view;

FIG. 7 is a top view of the novelty container in the closed position;

FIG. 8 is a bottom view of the novelty container in the closed position;

FIG. 9 is a front view of a second embodiment of the novelty container in the open position; and,

FIG. 10 is a front view of a third embodiment of the novelty container in the open position.

**OTHER PUBLICATIONS**

Spencer Gifts 1973 insert, football jewelry box.\*

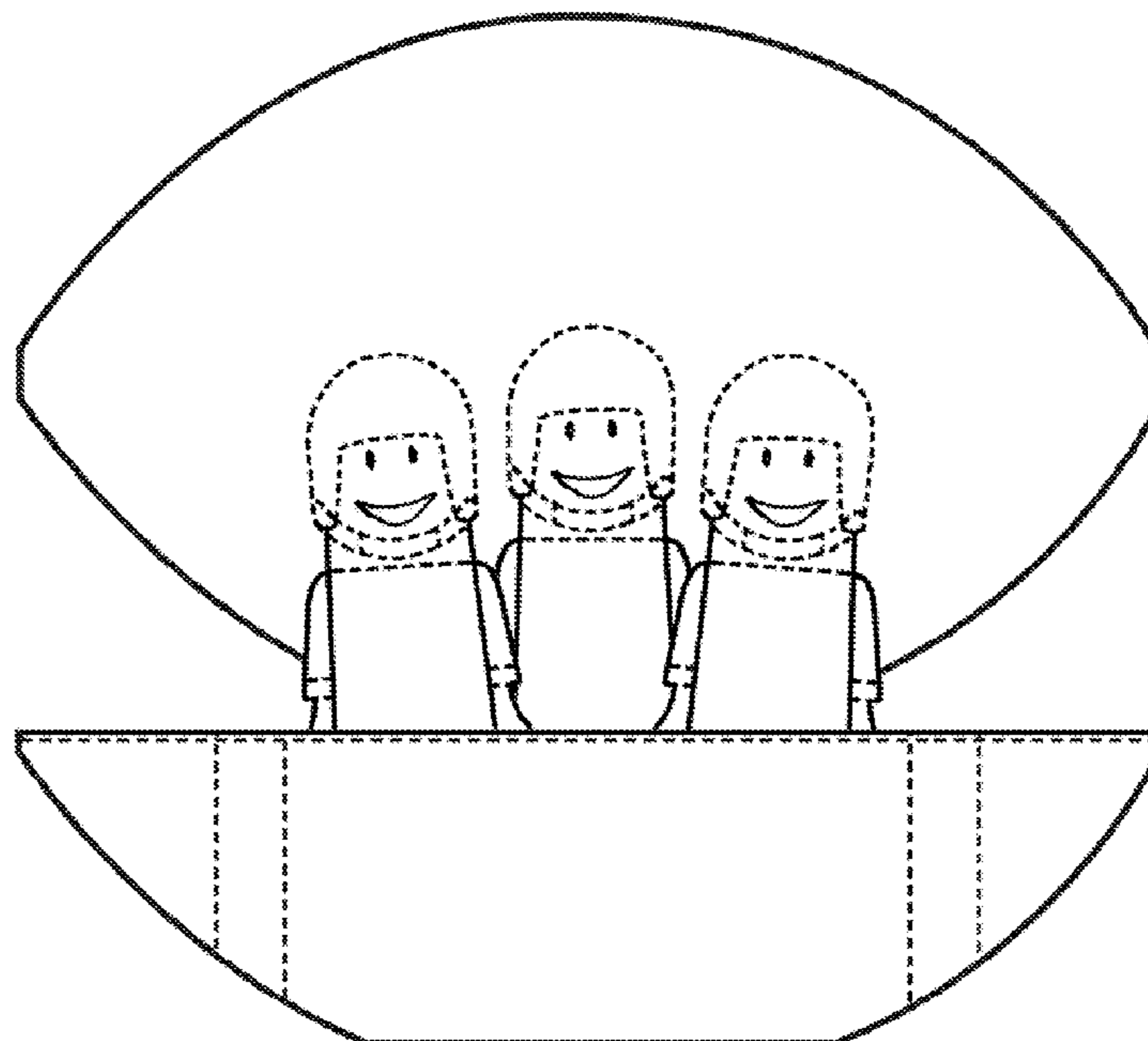
The broken lines in the figures showing portions of the novelty container with puppet and user in FIGS. 1-10 are for illustrative purposes only and form no part of the claimed design.

\* cited by examiner

*Primary Examiner*—Sandra Morris

(74) *Attorney, Agent, or Firm*—Cardinal Law Group

**1 Claim, 10 Drawing Sheets**



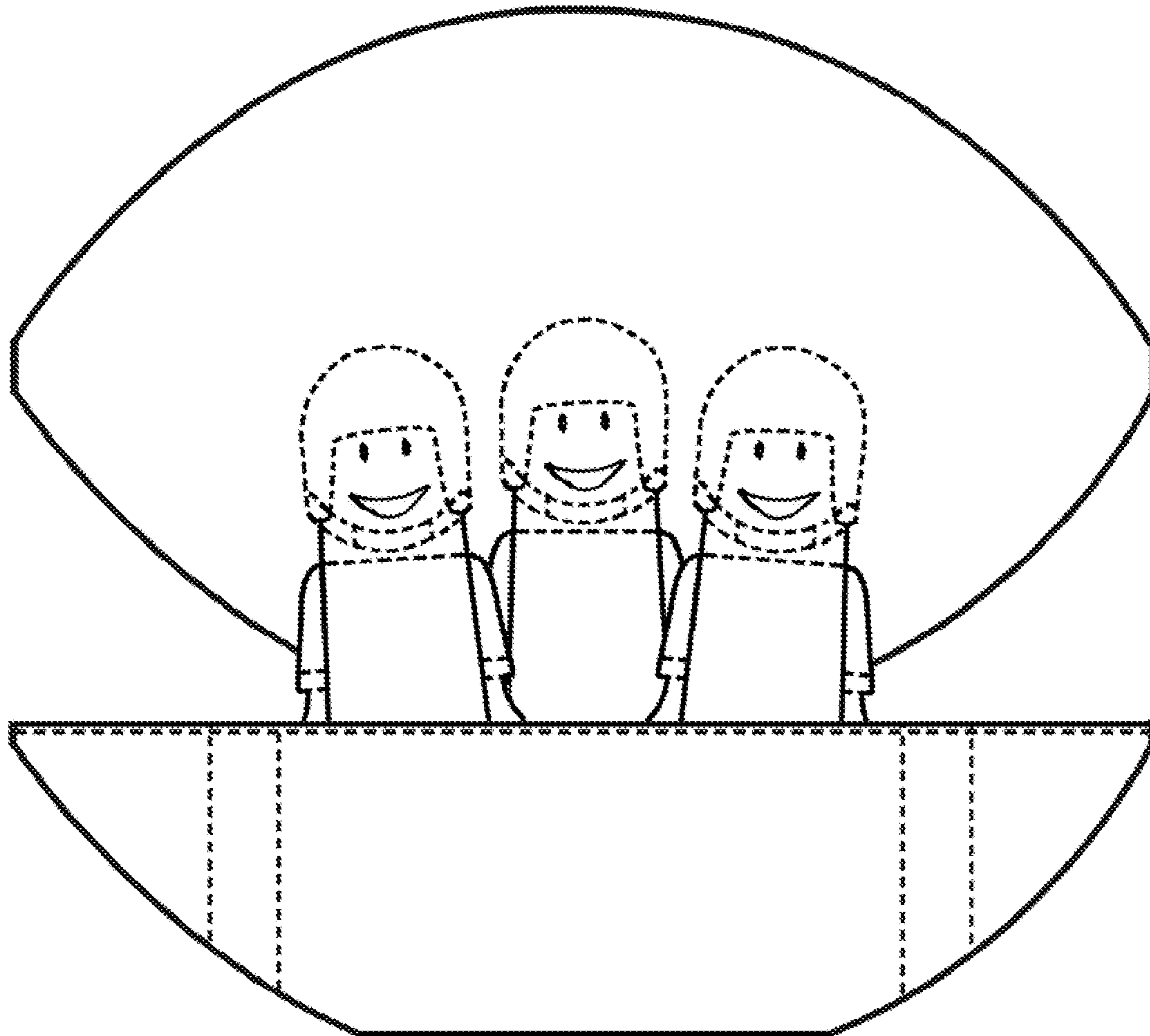


FIG. 1

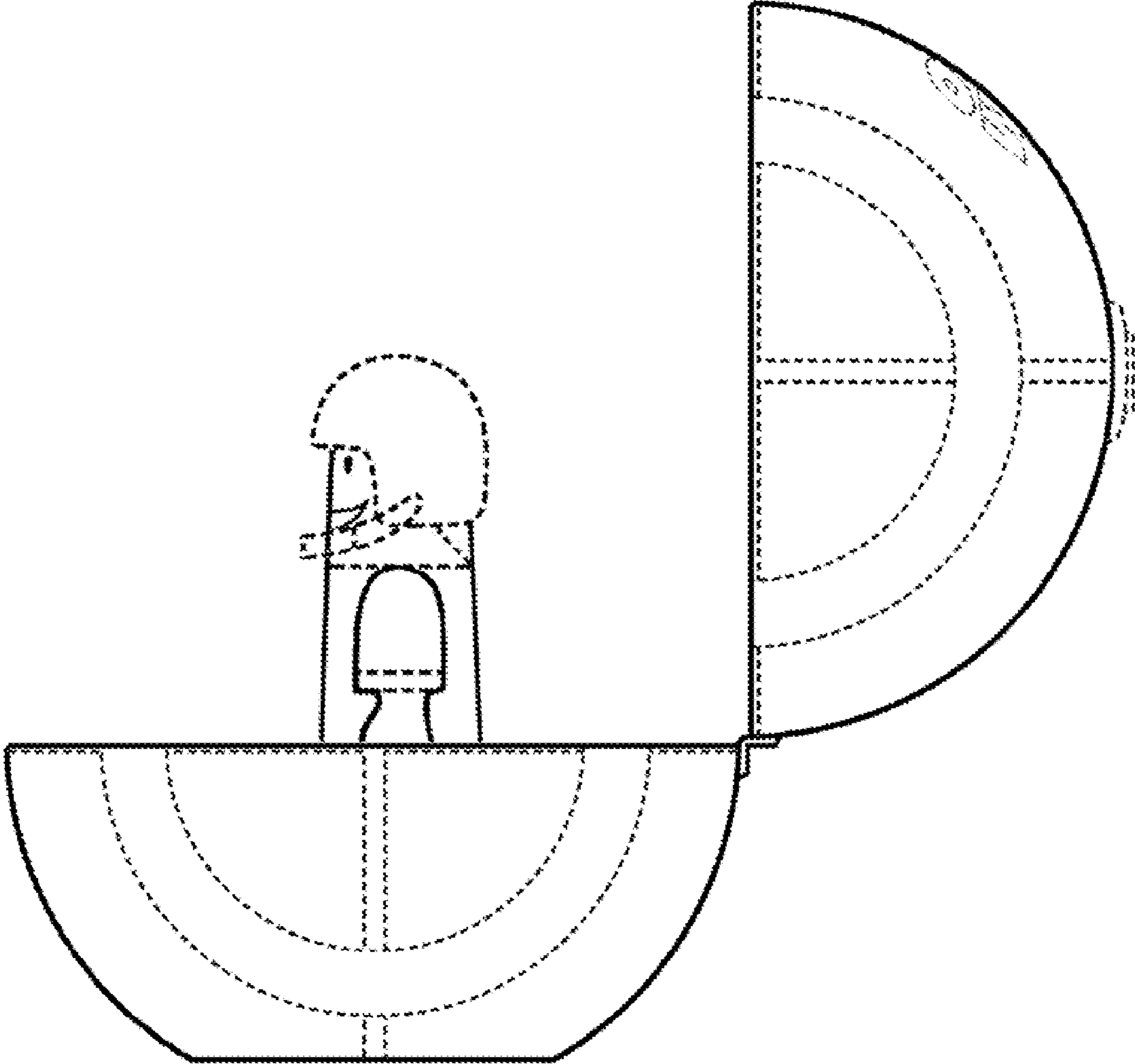


FIG. 2

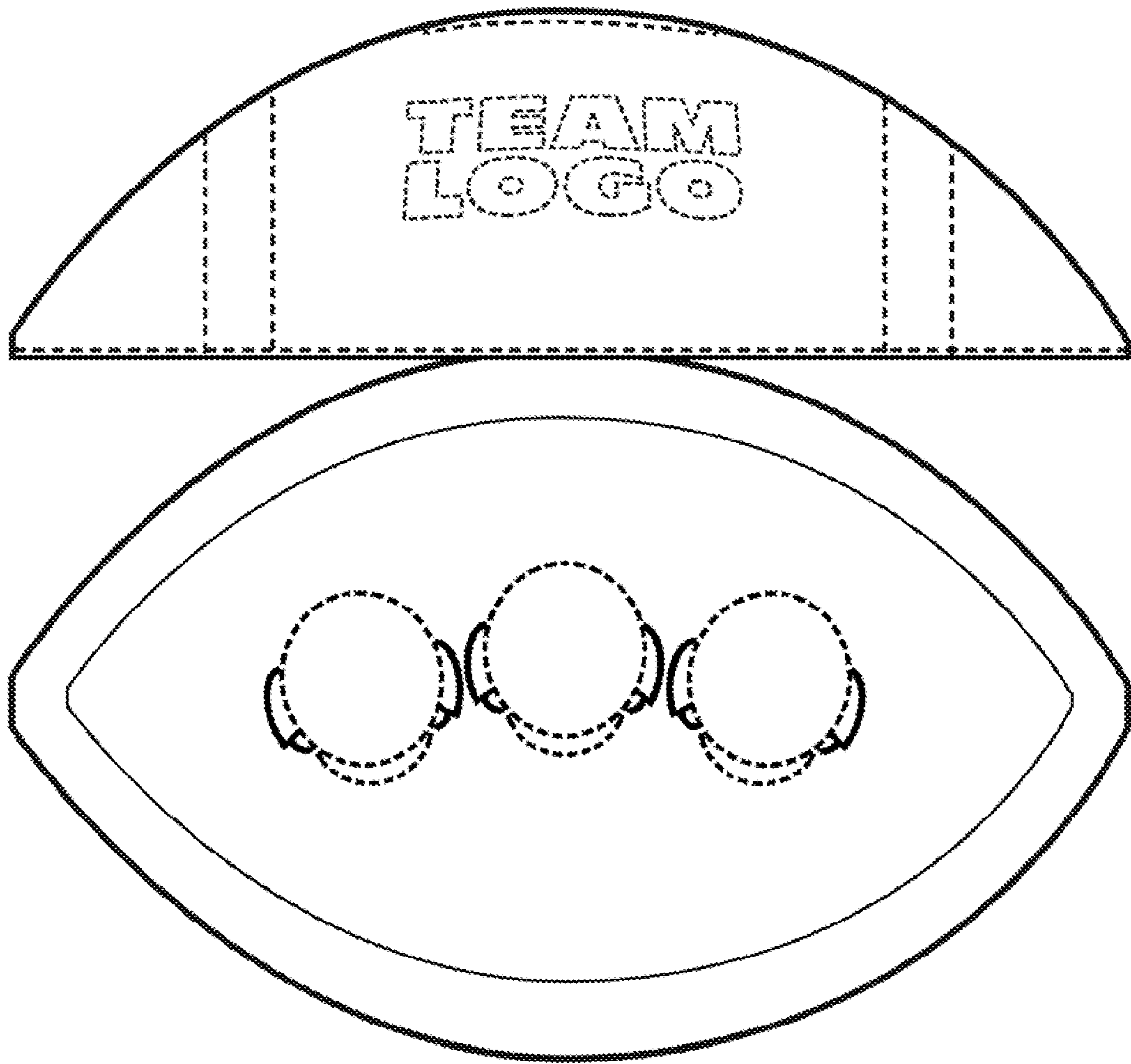


FIG. 3

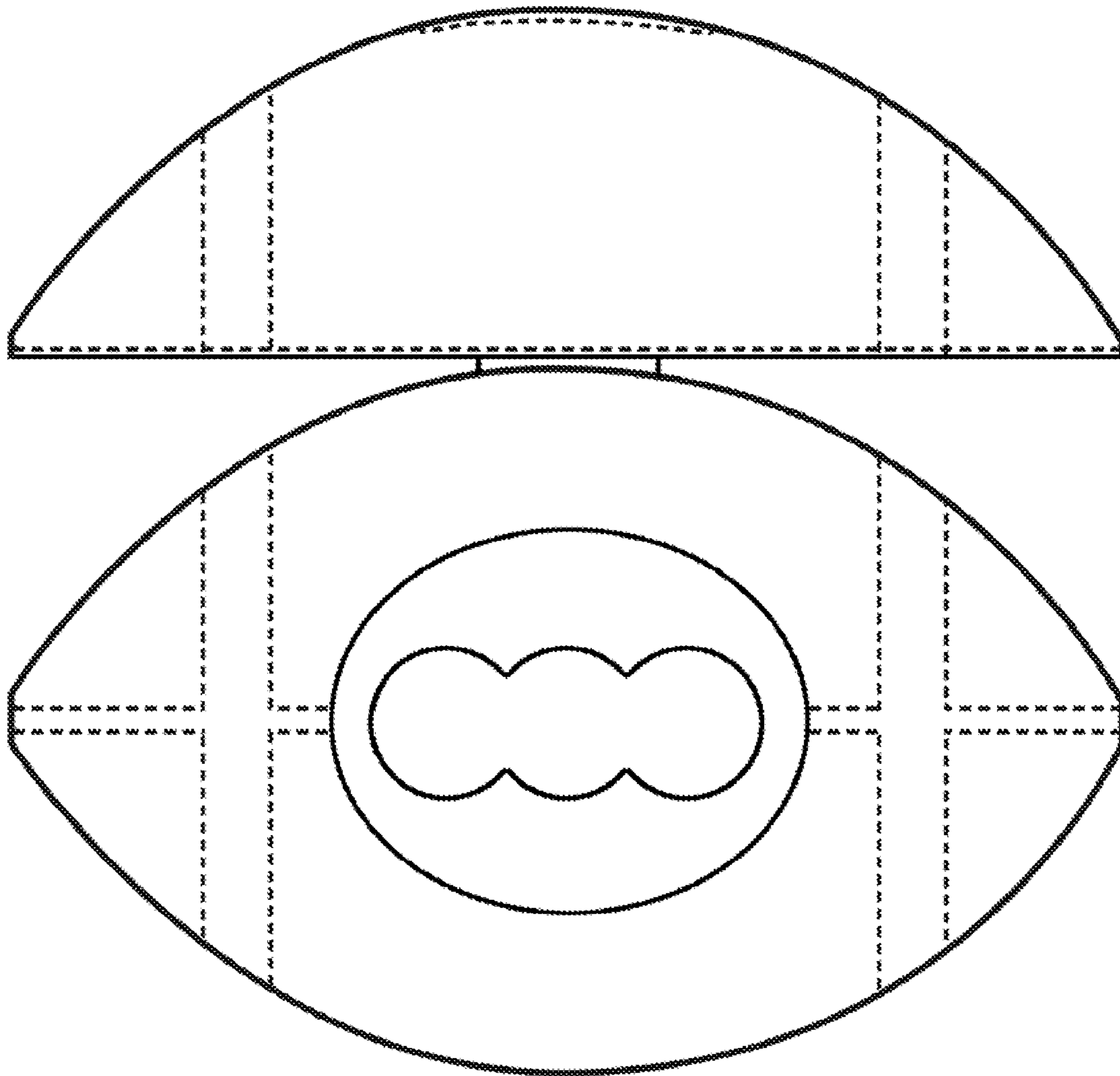


FIG. 4



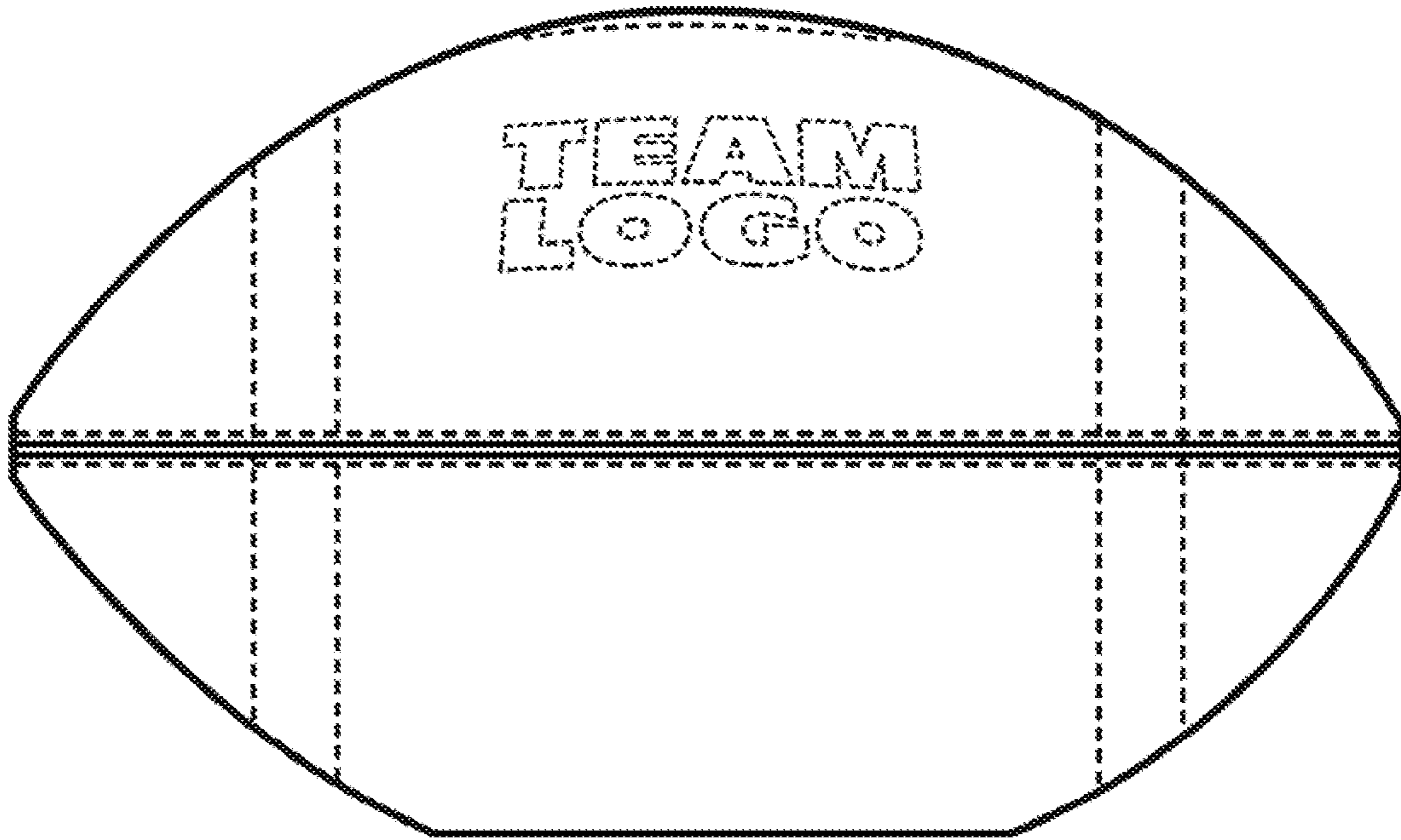


FIG. 5

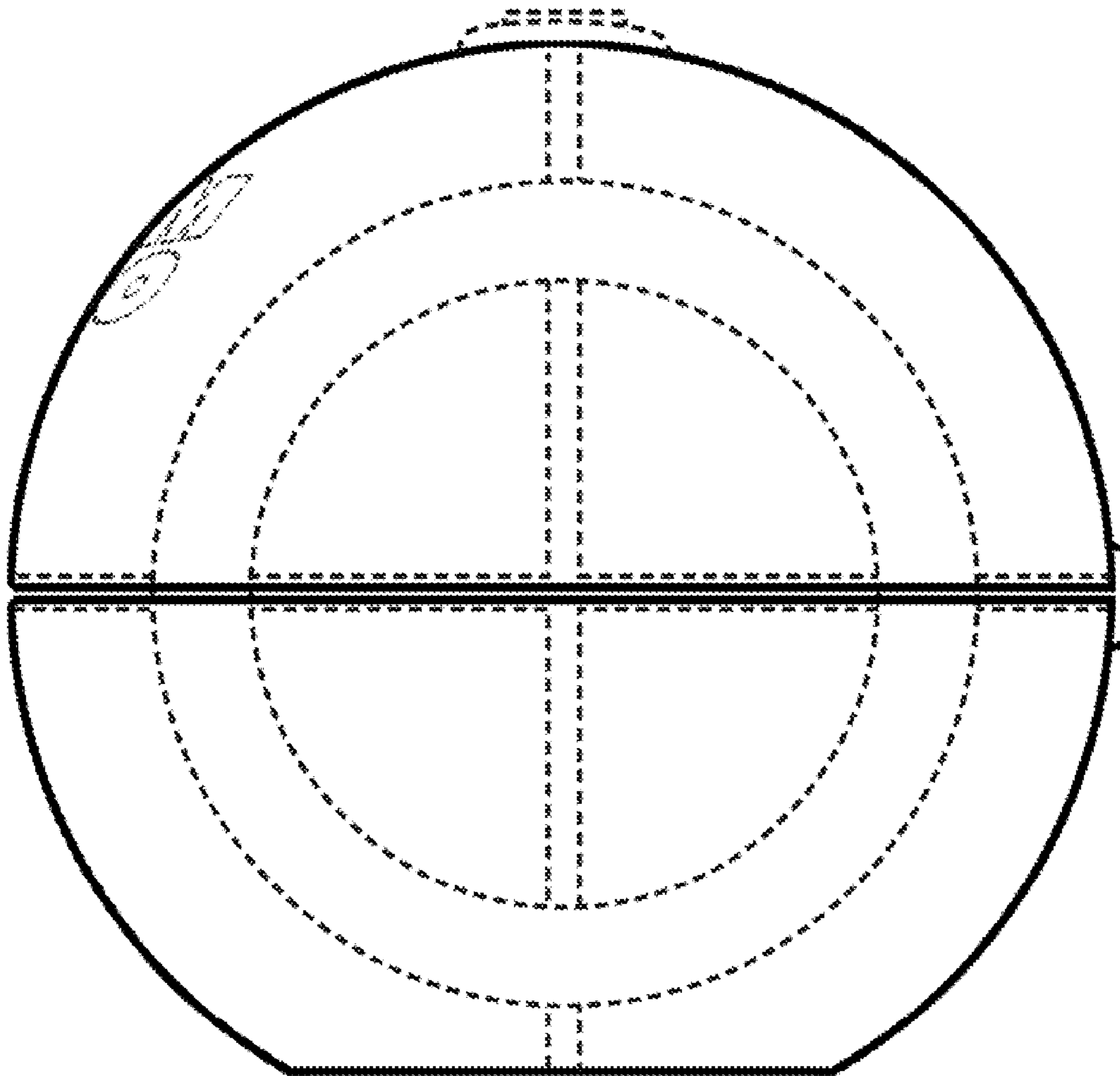


FIG. 6

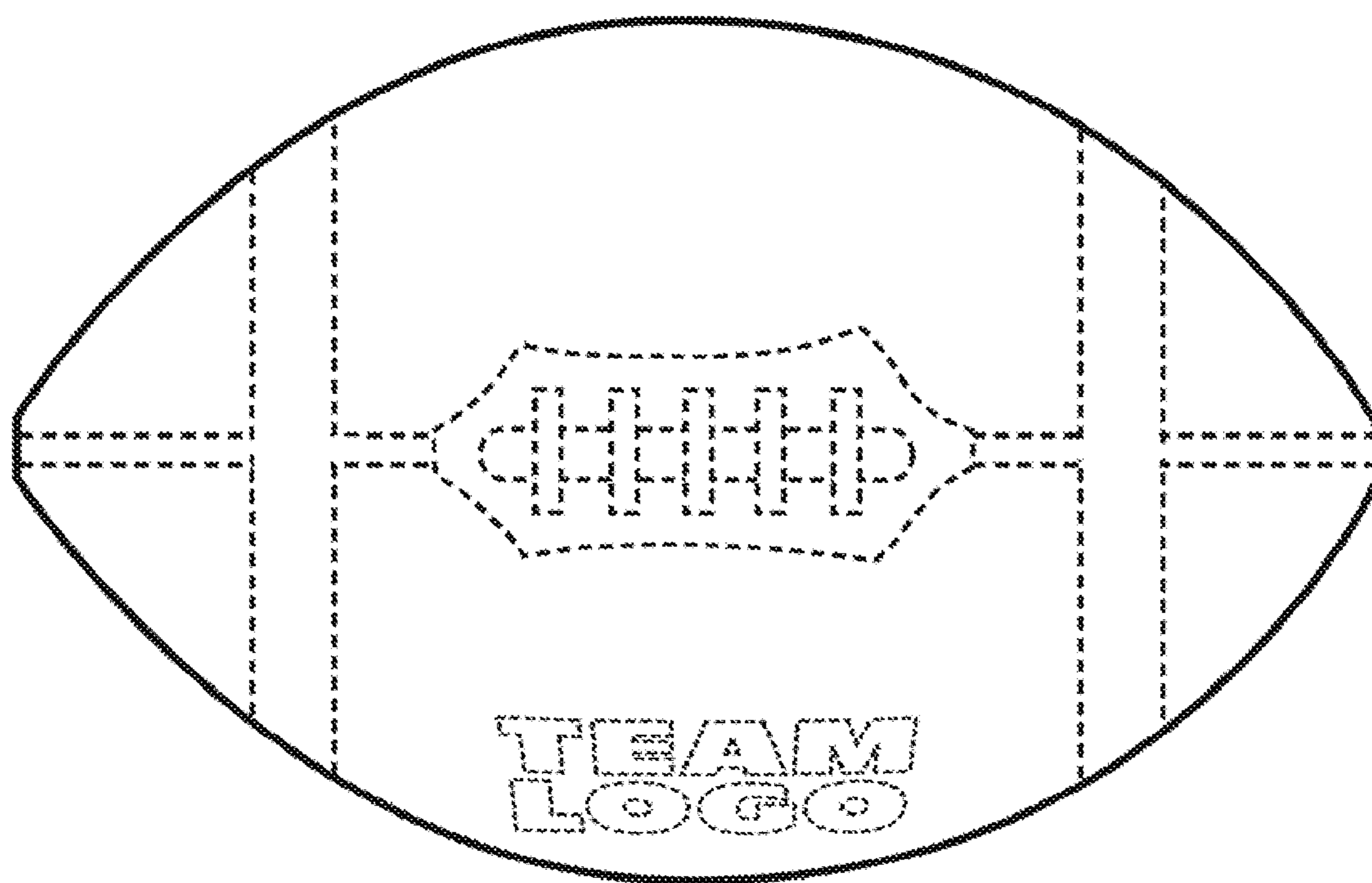


FIG. 7



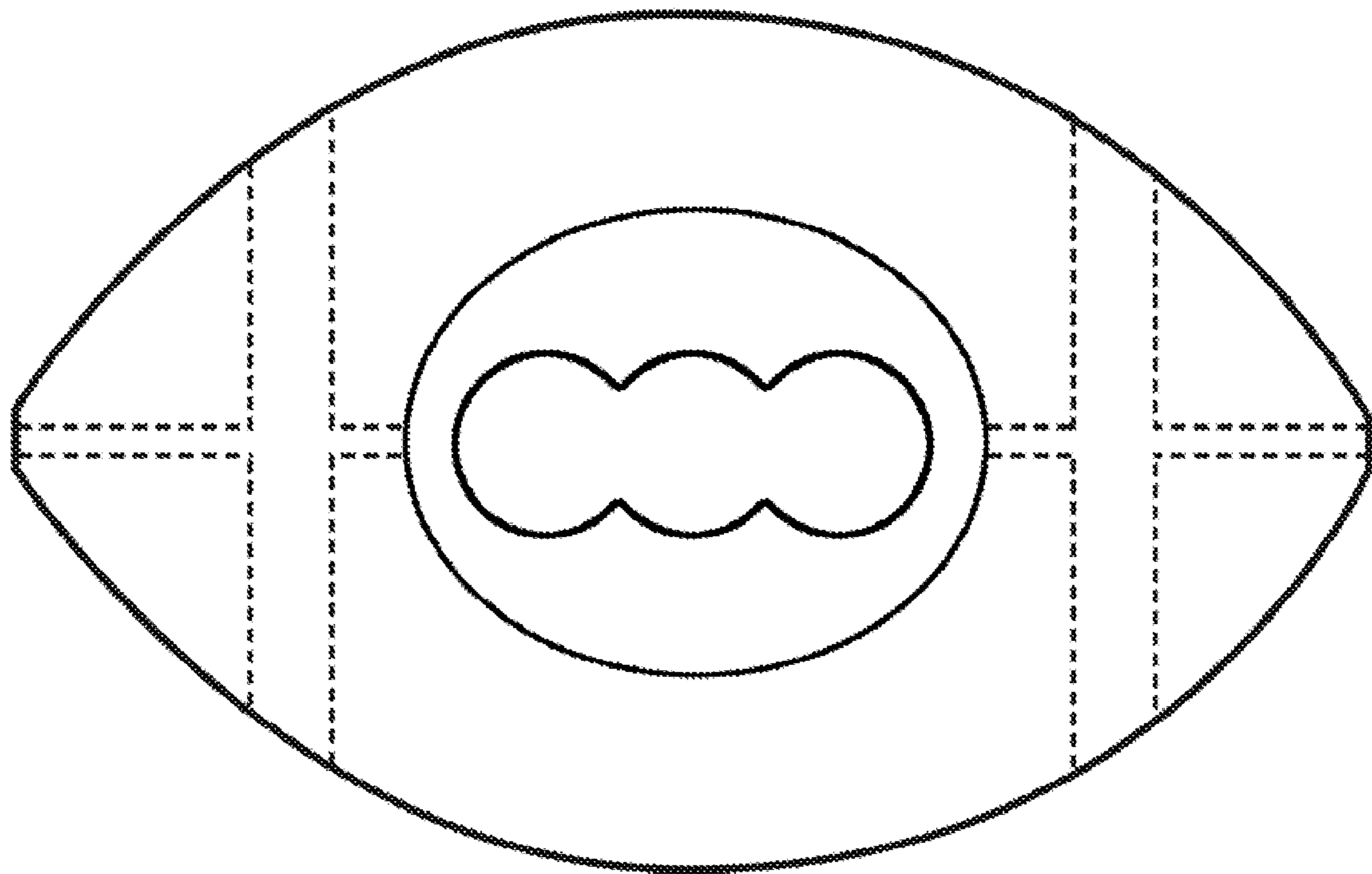


FIG. 8

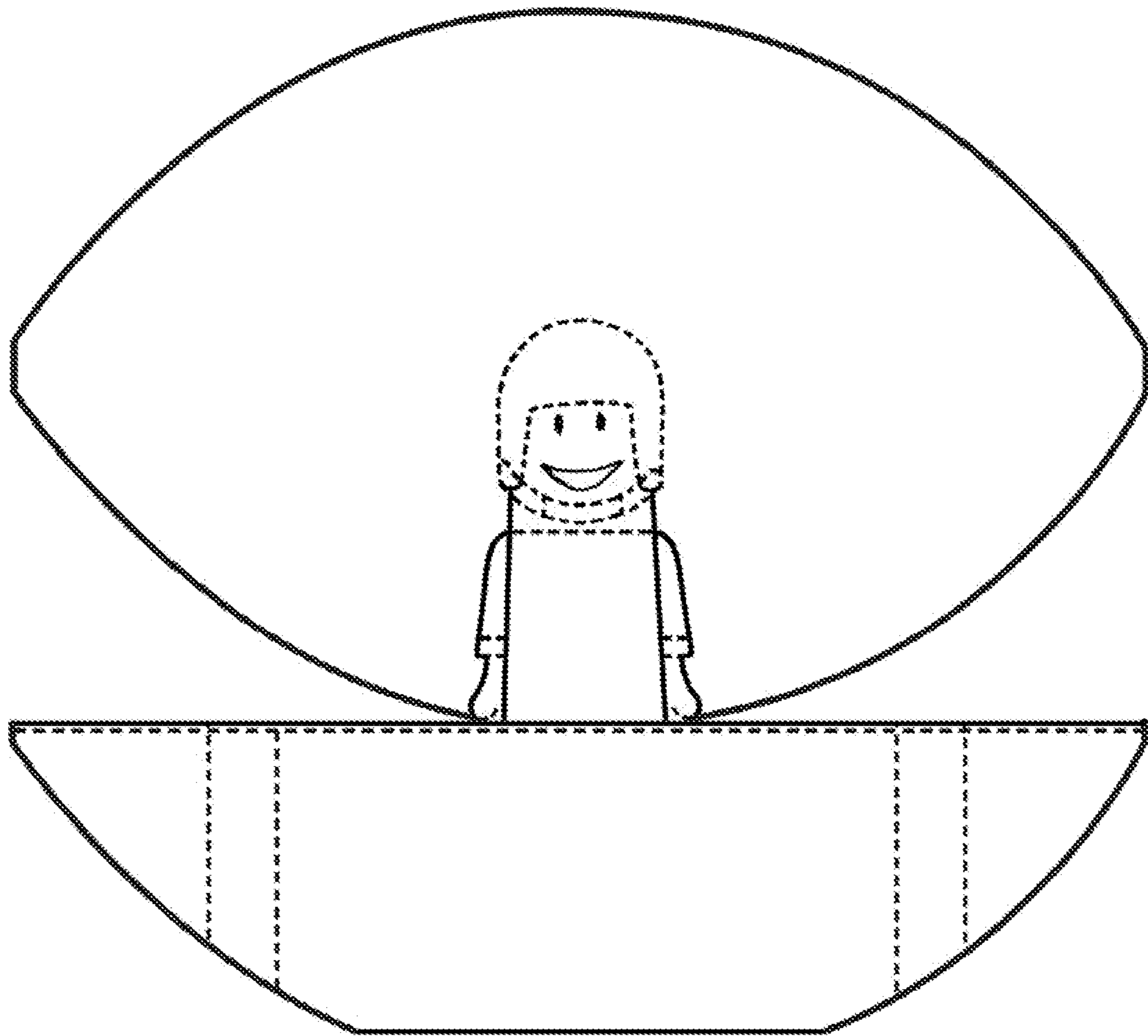


FIG. 9

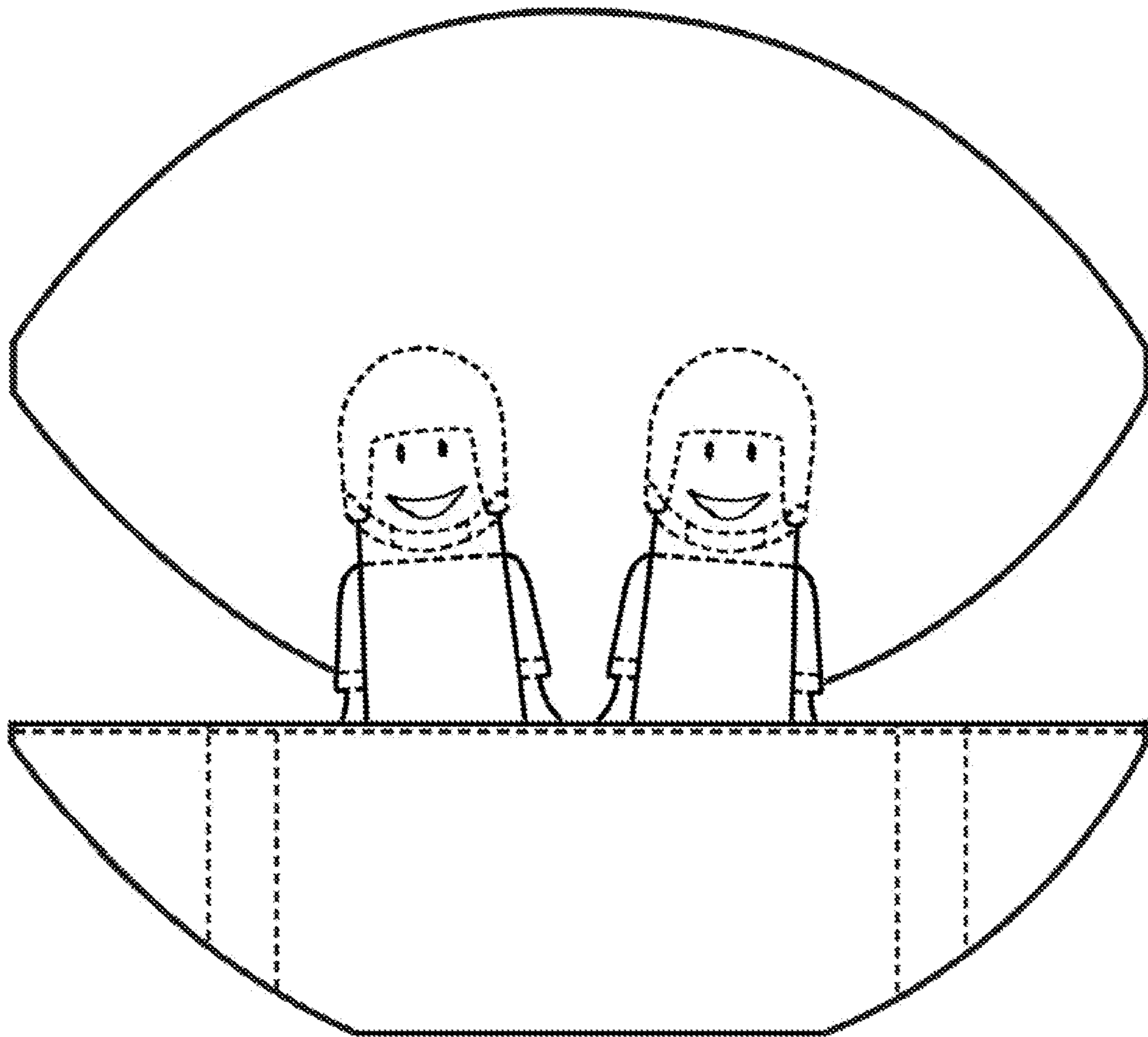


FIG. 10