



US00D575159S

(12) **United States Design Patent**
Volberg

(10) **Patent No.:** **US D575,159 S**
(45) **Date of Patent:** **** Aug. 19, 2008**

- (54) **BOTTLE**
- (75) Inventor: **Randall Volberg**, Vancouver (CA)
- (73) Assignee: **Gleau Waters Corporation**, Vancouver (CA)
- (**) Term: **14 Years**
- (21) Appl. No.: **29/254,615**
- (22) Filed: **Feb. 27, 2006**
- (51) **LOC (8) Cl.** **09-01**
- (52) **U.S. Cl.** **D9/522; D9/544; D9/551; D9/575**
- (58) **Field of Classification Search** D9/686-692, D9/694, 505, 16, 522-523, 530, 537, 539-540, D9/543, 545, 549, 551, 561, 564, 575, 439; D7/608, 387; 215/12.1, 12.2, 13.1
See application file for complete search history.

- D326,811 S 6/1992 Messer
- D351,102 S 10/1994 Olivares et al.
- D351,337 S * 10/1994 Bonnema et al. D9/690
- D353,324 S 12/1994 Rice
- D357,866 S * 5/1995 Beier-Rosetti D9/523
- D369,551 S 5/1996 MacLean et al.
- D372,194 S * 7/1996 Dallaire D9/551 X
- D378,275 S 3/1997 Rusnock et al.
- D379,151 S 5/1997 Stevens
- D403,244 S 12/1998 Van Dyk et al.
- D407,971 S 4/1999 Jackson et al.
- D411,100 S * 6/1999 Torres D9/692
- D413,519 S 9/1999 Eberle et al.
- D416,198 S 11/1999 Lindsay et al.
- D420,291 S 2/2000 Gnann et al.
- D423,365 S 4/2000 Eberle et al.
- D426,163 S 6/2000 Safadi et al.
- D430,803 S 9/2000 Reis et al.
- D432,919 S 10/2000 Spring
- D443,826 S 6/2001 Gnann et al.
- D443,828 S 6/2001 Meeker et al.
- D451,395 S 12/2001 Vultaggio et al.
- D455,340 S 4/2002 Kfourri

(56) **References Cited**

U.S. PATENT DOCUMENTS

- D25,942 S * 8/1896 Jenkins D9/545
- D28,634 S 5/1898 Schilling
- D65,157 S * 7/1924 Benois D9/505
- D78,628 S 5/1929 Kart
- D81,520 S 7/1930 Bromiley
- D87,135 S * 6/1932 Schoenfeld D9/522
- D88,098 S 10/1932 Lehman
- D126,725 S 4/1941 Vicent
- D165,671 S * 1/1952 Stengren D9/523
- D166,542 S 4/1952 Kunett
- D201,470 S 6/1965 Plattner
- D202,933 S 11/1965 Platte
- D257,427 S 10/1980 Cooke et al.
- D259,920 S 7/1981 Honeos
- D270,520 S 9/1983 Strand
- D276,889 S * 12/1984 Biesecker D9/500
- D289,796 S * 5/1987 Larkin D24/224
- D317,716 S 6/1991 Cook
- D324,171 S * 2/1992 Morane D9/688

(Continued)

Primary Examiner—Carol Rademaker

(57) **CLAIM**

The ornamental design for a bottle, as shown and described.

DESCRIPTION

FIG. 1 is a front elevational view of a bottle of the present invention;

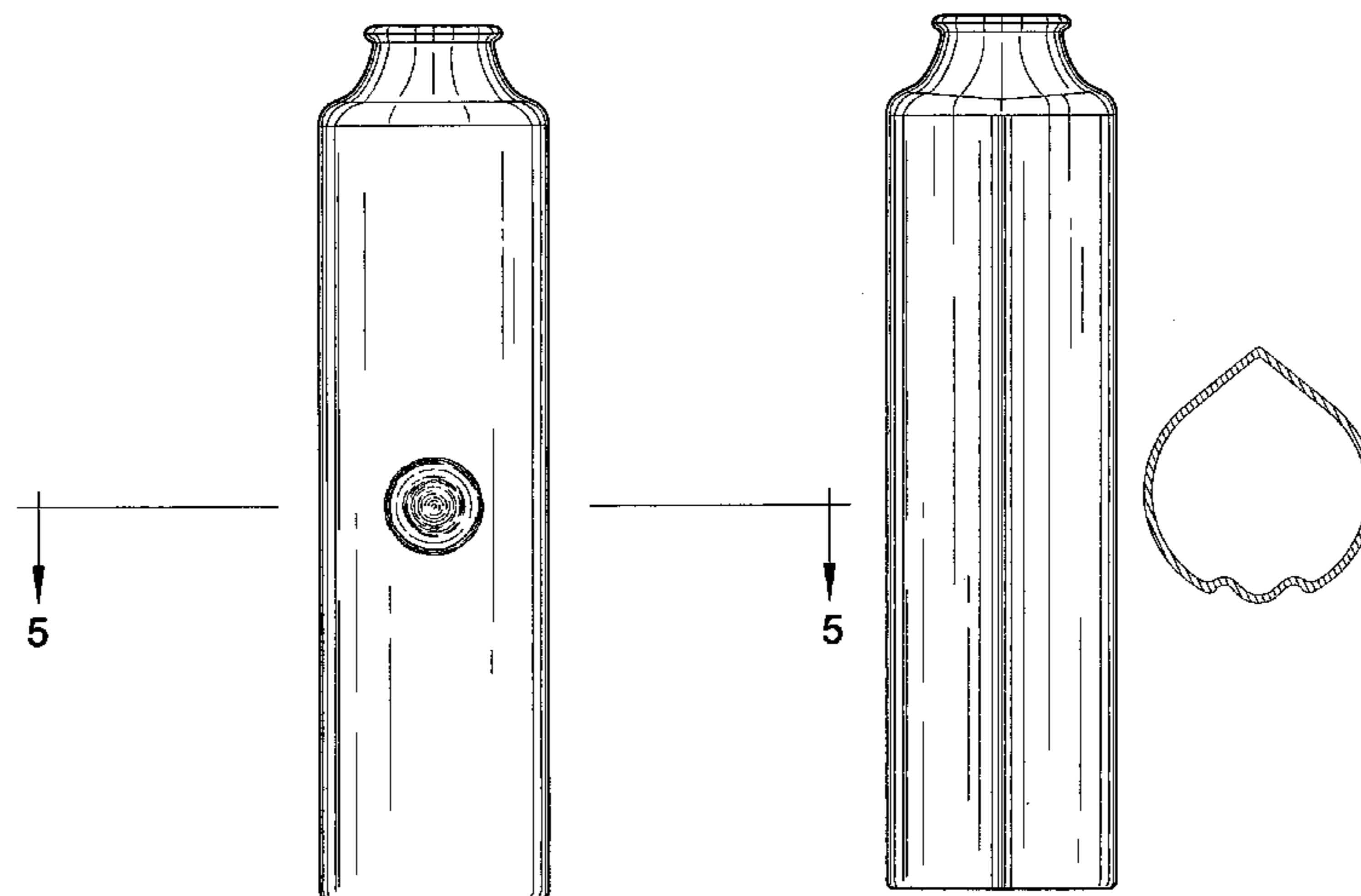
FIG. 2 is a right side elevational view thereof, the left side elevational view being a mirror image;

FIG. 3 is a rear elevational view thereof;

FIG. 4 is a top plan view thereof; and,

FIG. 5 is a cross-sectional view thereof, taken at section line 5—5 in FIG. 1.

1 Claim, 5 Drawing Sheets



US D575,159 S

Page 2

U.S. PATENT DOCUMENTS

D464,268 S	10/2002	Mixon	D487,564 S	3/2004	Beck et al.	
D466,415 S	12/2002	Reis	D490,321 S *	5/2004	Durant et al.	D9/551
D470,361 S	2/2003	Trombly	D501,792 S	2/2005	Priestman	
D472,148 S	3/2003	Dowd	D513,995 S *	1/2006	Miwa	D9/690 X
D475,926 S	6/2003	Rusnock et al.	D518,381 S *	4/2006	Egawa	D9/551 X
D477,226 S	7/2003	Chirico et al.	D526,200 S *	8/2006	Bakic	D9/522 X
D477,232 S	7/2003	Podlucky	D526,201 S *	8/2006	Bakic	D9/522
D483,677 S	12/2003	Zhou	D526,202 S *	8/2006	Bakic	D9/522
D485,168 S	1/2004	Konigsberg	D551,557 S *	9/2007	Osgerby et al.	D9/551
			D555,496 S *	11/2007	Osgerby et al.	D9/551

* cited by examiner

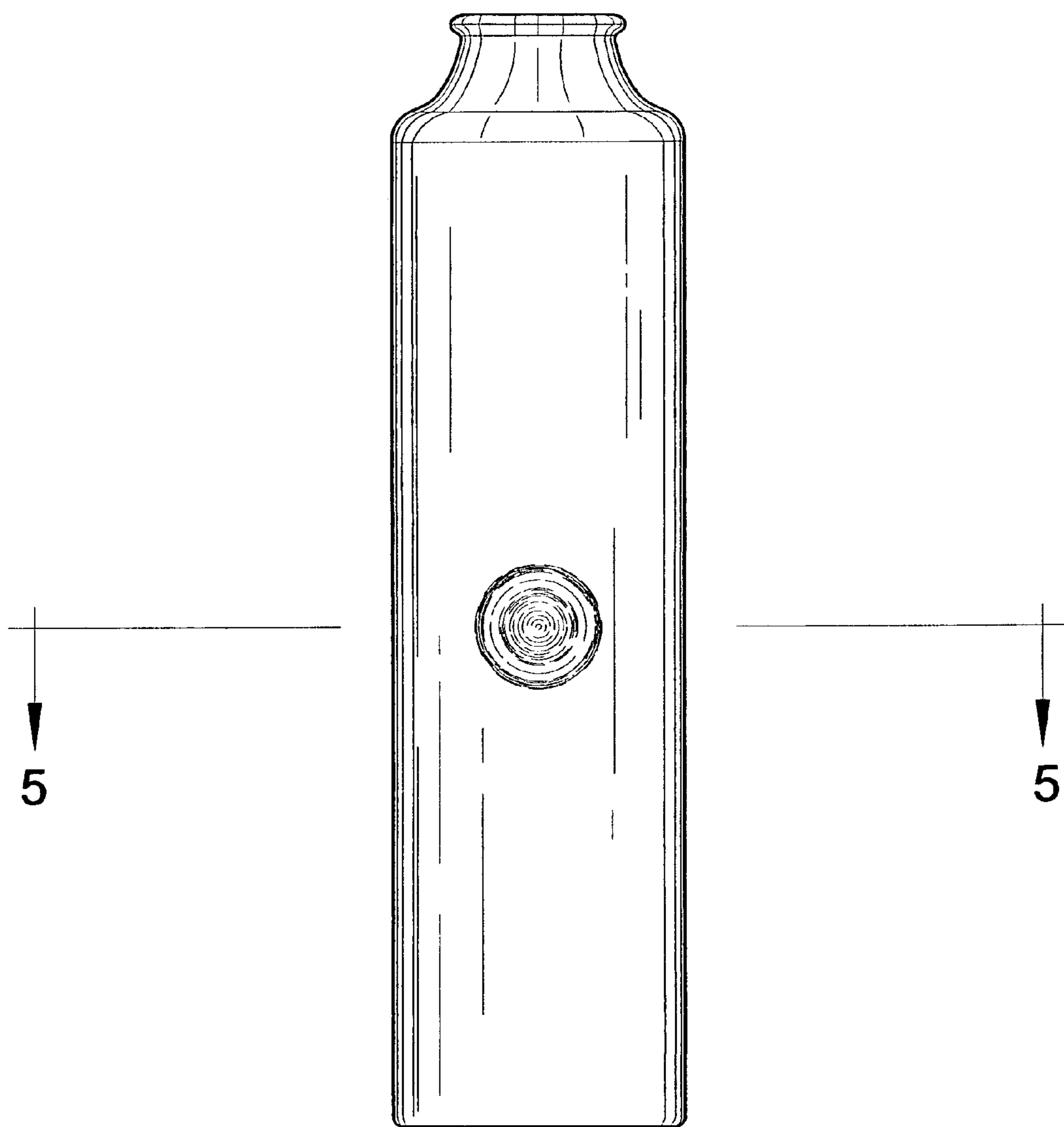


Fig. 1

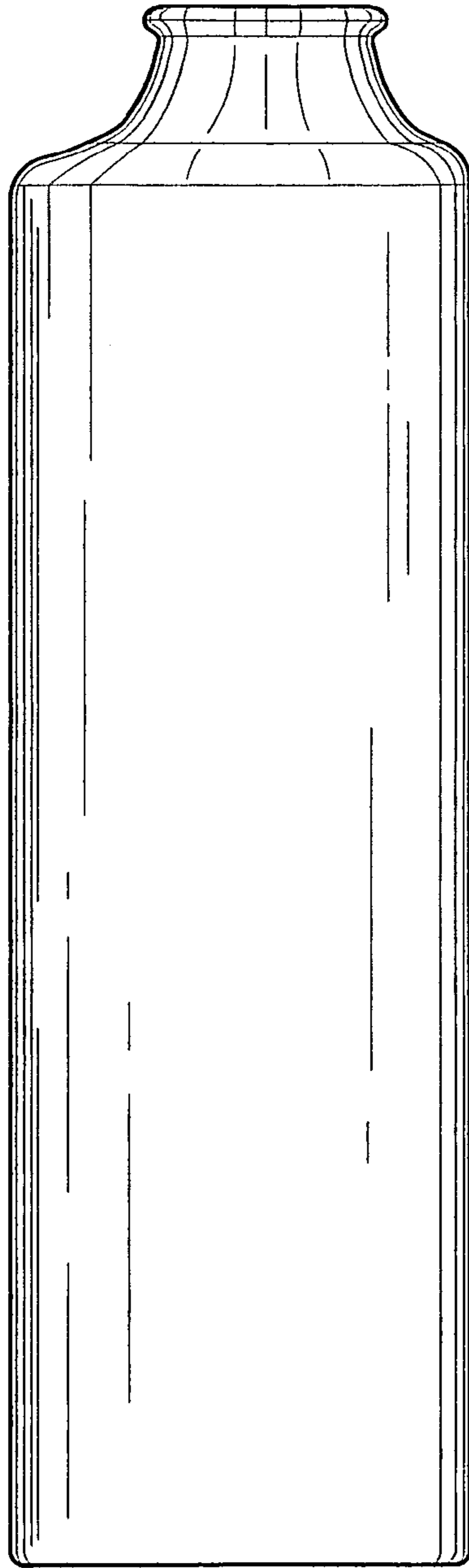


Fig. 2

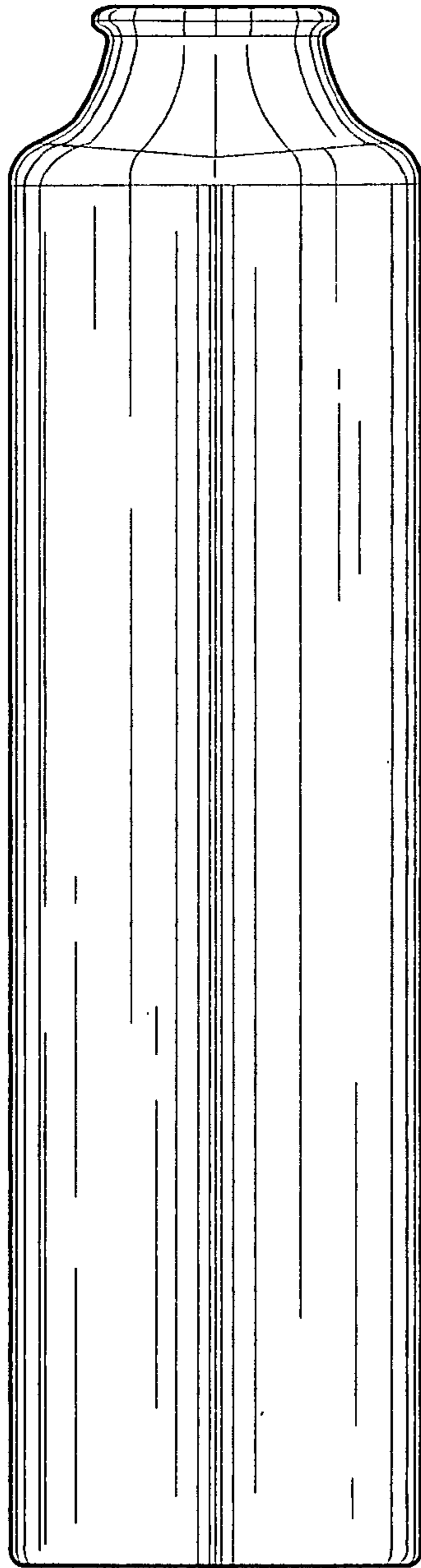


Fig. 3

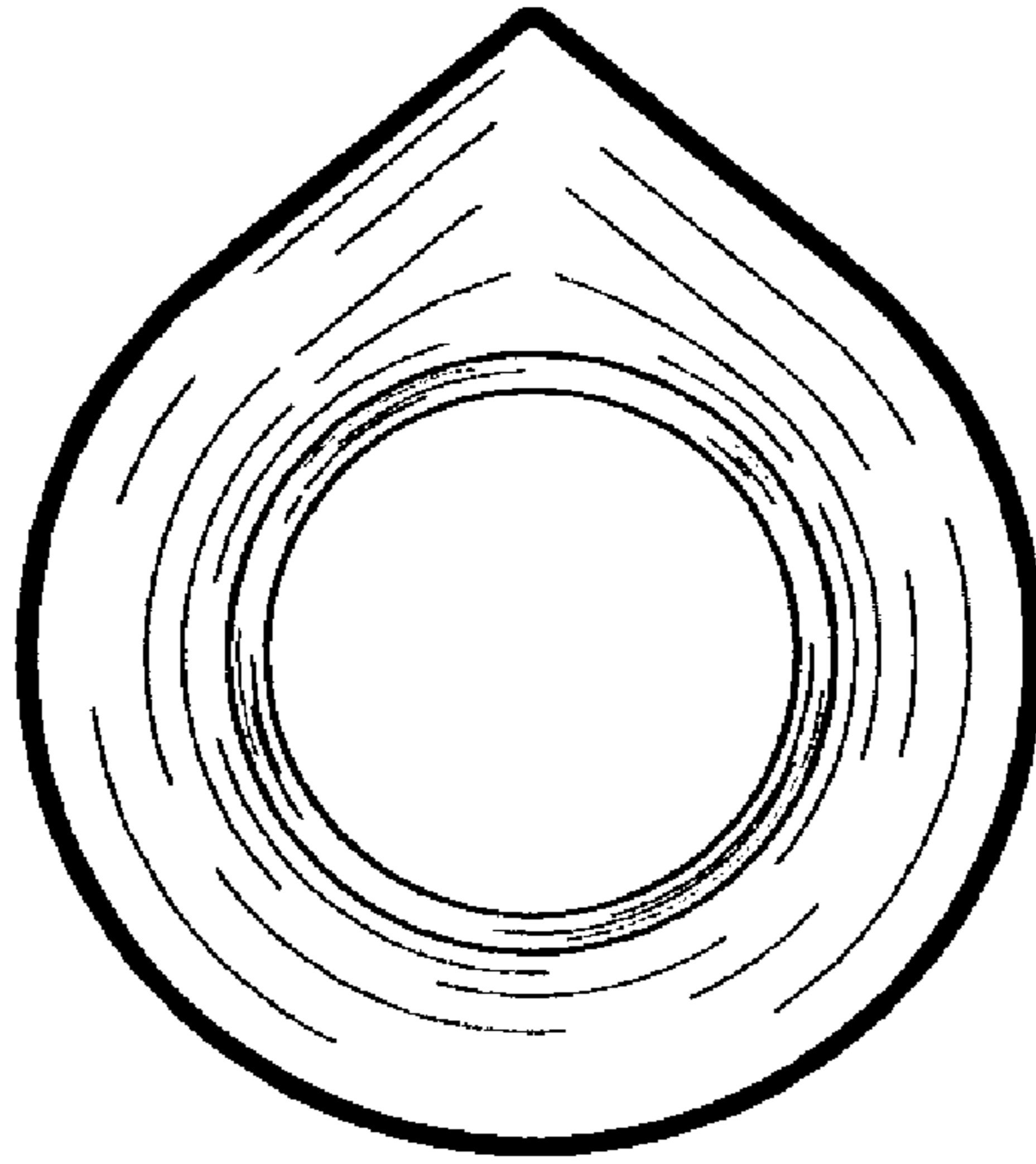


Fig. 4

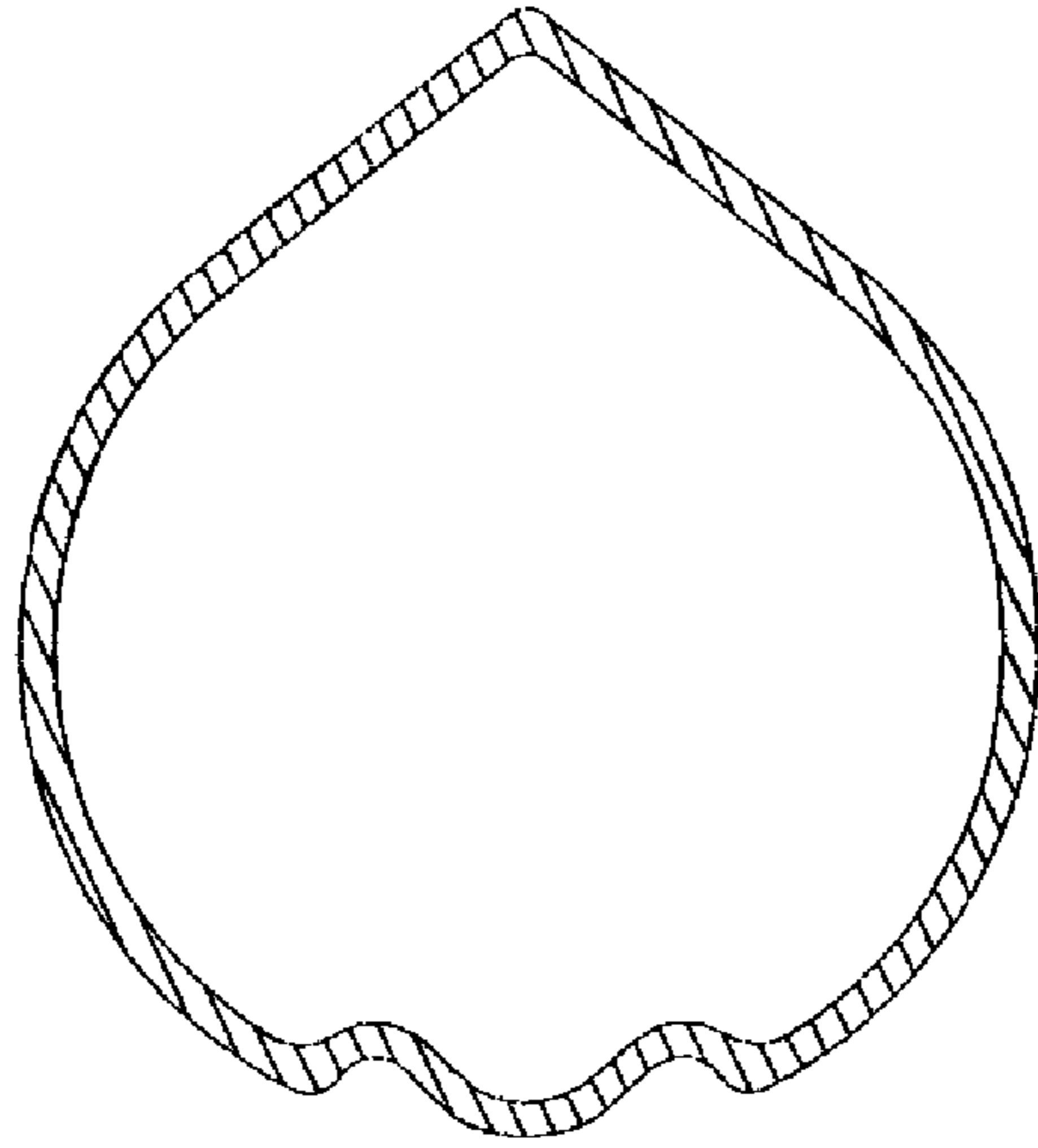


Fig. 5