



US00D575158S

(12) **United States Design Patent**
Boon

(10) **Patent No.:** **US D575,158 S**
(45) **Date of Patent:** **** Aug. 19, 2008**

(54) **PORTION OF A BOTTLE**

(75) Inventor: **Yen Heng Boon**, Singapore (SG)

(73) Assignee: **Stokely-Van Camp, Inc.**, Chicago, IL (US)

(**) Term: **14 Years**

(21) Appl. No.: **29/297,834**

(22) Filed: **Nov. 20, 2007**

Related U.S. Application Data

(62) Division of application No. 29/261,642, filed on Jun. 15, 2006, now Pat. No. Des. 564,889.

(51) **LOC (8) Cl.** **09-01**

(52) **U.S. Cl.** **D9/516; D9/539; D9/551; D9/552; D9/558**

(58) **Field of Classification Search** D9/516, D9/520, 530, 537-540, 548-549, 551-552, D9/556-560, 564-565, 571-575, 682, 687-694; D7/509-511; 215/381-385, 396, 398
See application file for complete search history.

(56) **References Cited**

U.S. PATENT DOCUMENTS

- D88,233 S * 11/1932 Koepfen D9/667
- D446,112 S * 8/2001 Bretz et al. D9/539 X
- D446,711 S * 8/2001 Bretz et al. D9/667
- D470,772 S * 2/2003 Egger D9/537
- D470,773 S * 2/2003 Darr et al. D9/538
- D508,207 S * 8/2005 Knight et al. D9/667
- D515,427 S * 2/2006 Schuller et al. D9/516
- D515,430 S * 2/2006 Venkataraman et al. D9/538
- D524,159 S * 7/2006 Mooney D9/516

- D530,619 S * 10/2006 Stockwell et al. D9/551
- D536,618 S * 2/2007 Davis et al. D9/538
- D538,168 S * 3/2007 Davis et al. D9/538
- D538,659 S * 3/2007 Eaton et al. D9/516
- 7,191,910 B2 * 3/2007 Deemer et al. 215/381
- D541,166 S * 4/2007 Snyder et al. D9/537
- D560,501 S * 1/2008 Kim et al. D9/539
- D561,037 S * 2/2008 Boon D9/539
- D564,360 S * 3/2008 Dill et al. D9/539 X
- 2007/0075032 A1 * 4/2007 Kelley et al. 215/384
- 2007/0090083 A1 * 4/2007 Trude 215/384

* cited by examiner

Primary Examiner—Carol Rademaker

(74) *Attorney, Agent, or Firm*—Banner & Witcoff, Ltd.

(57) **CLAIM**

The ornamental design for a portion of a bottle, as shown and described.

DESCRIPTION

FIG. 1 is a perspective view of a bottle depicting the new design;

FIG. 2 is a front elevation plan view of the bottle depicted in FIG. 1;

FIG. 3 is a side elevation plan view of the bottle depicted in FIG. 1;

FIG. 4 is a top plan view of the bottle depicted in FIG. 1; and,

FIG. 5 is a bottom plan view of the bottle depicted in FIG. 1.

The dash lines shown in the drawings are for illustrative purposes only and form no part of the claimed design. The dot-dash-dot lines shown in the drawings define the boundary of the claim and form no part of the claimed design.

1 Claim, 2 Drawing Sheets

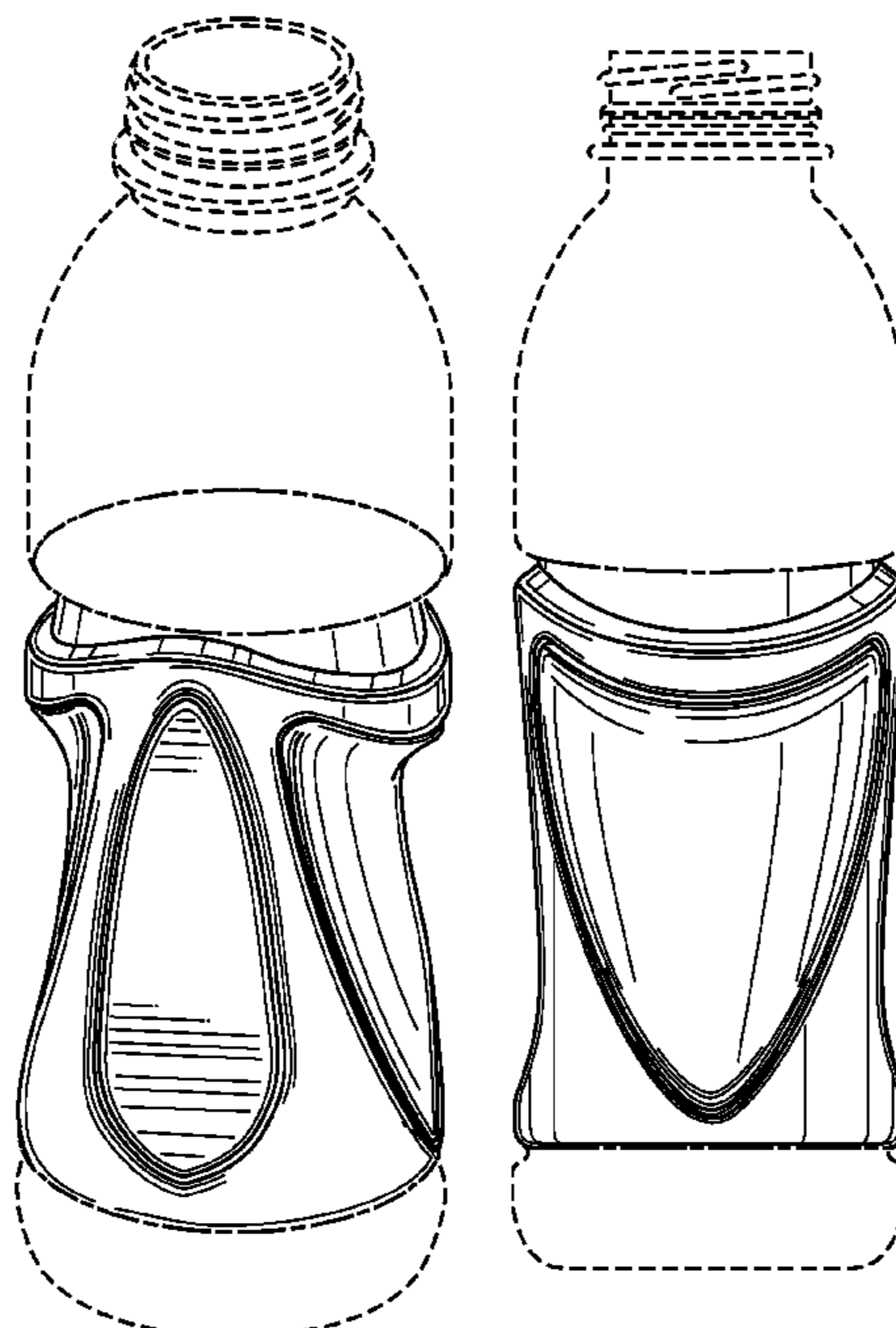


Fig. 1

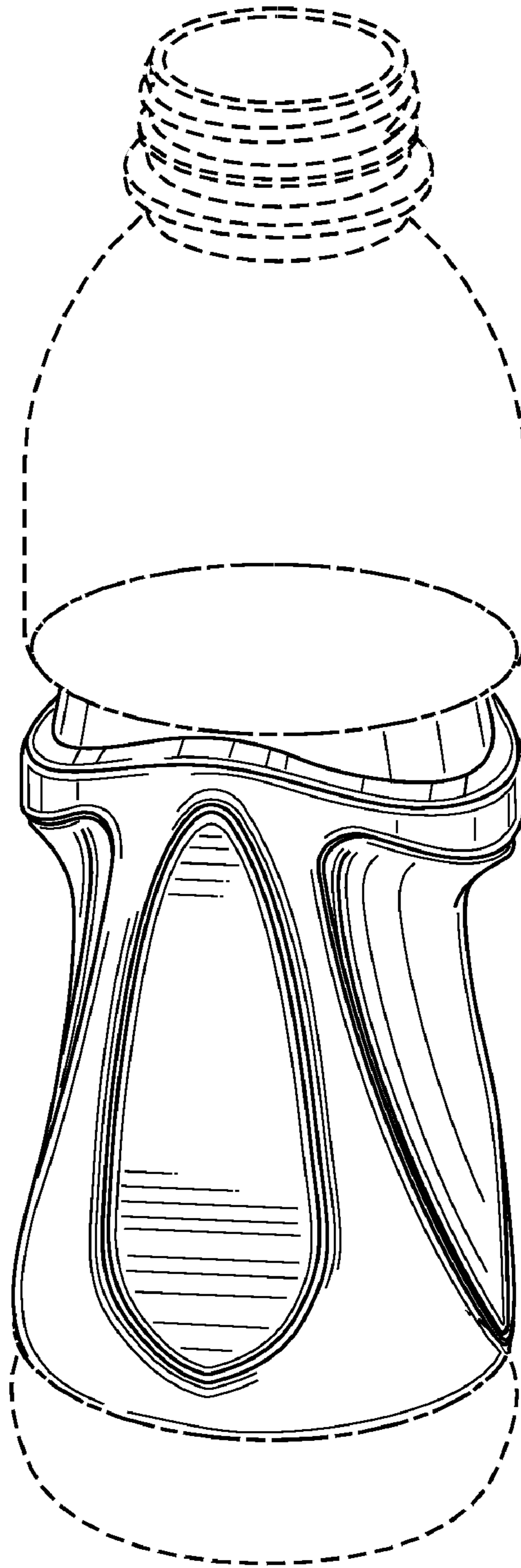


Fig. 2

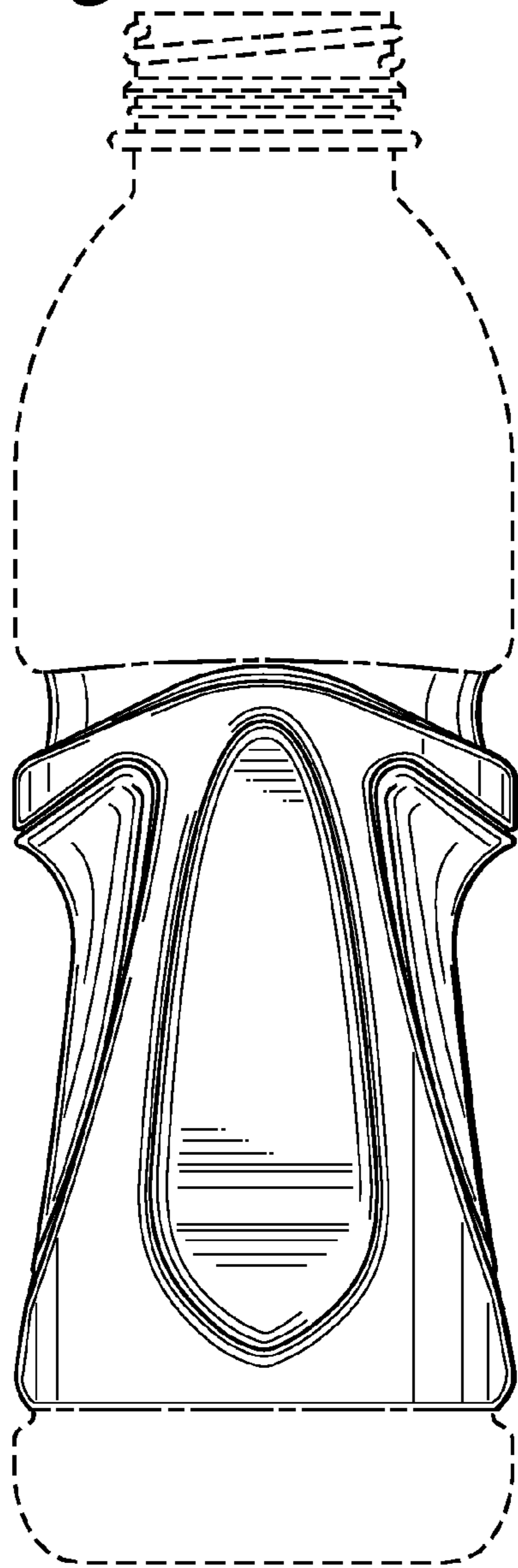


Fig. 3

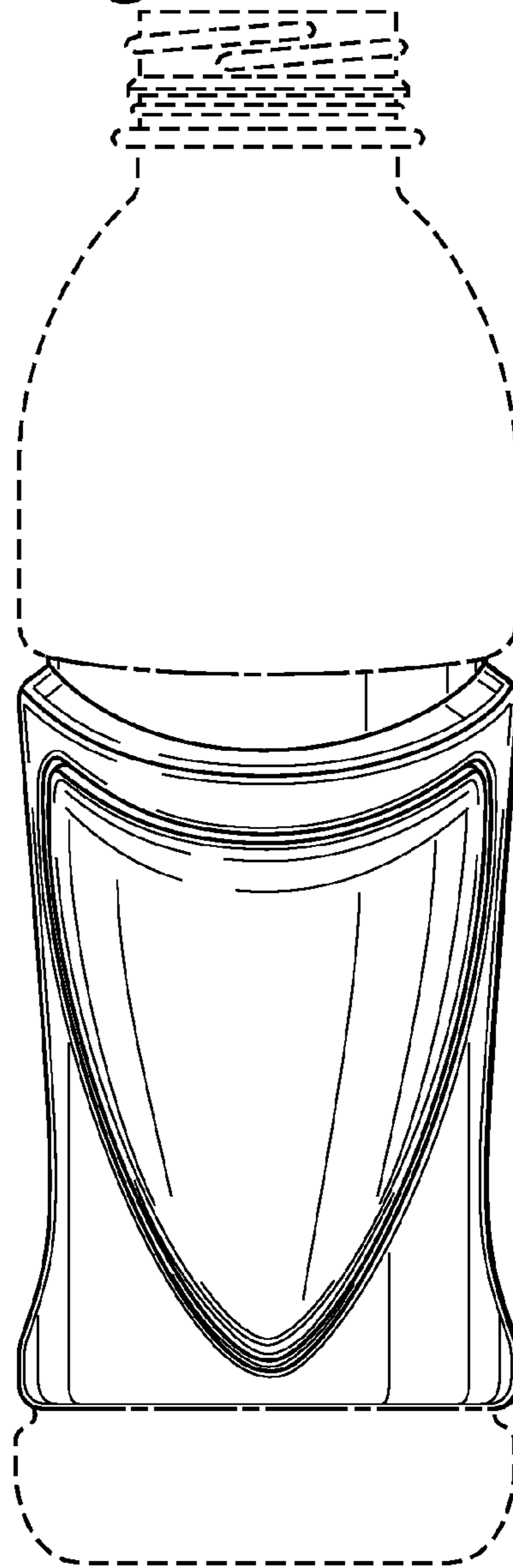


Fig. 4

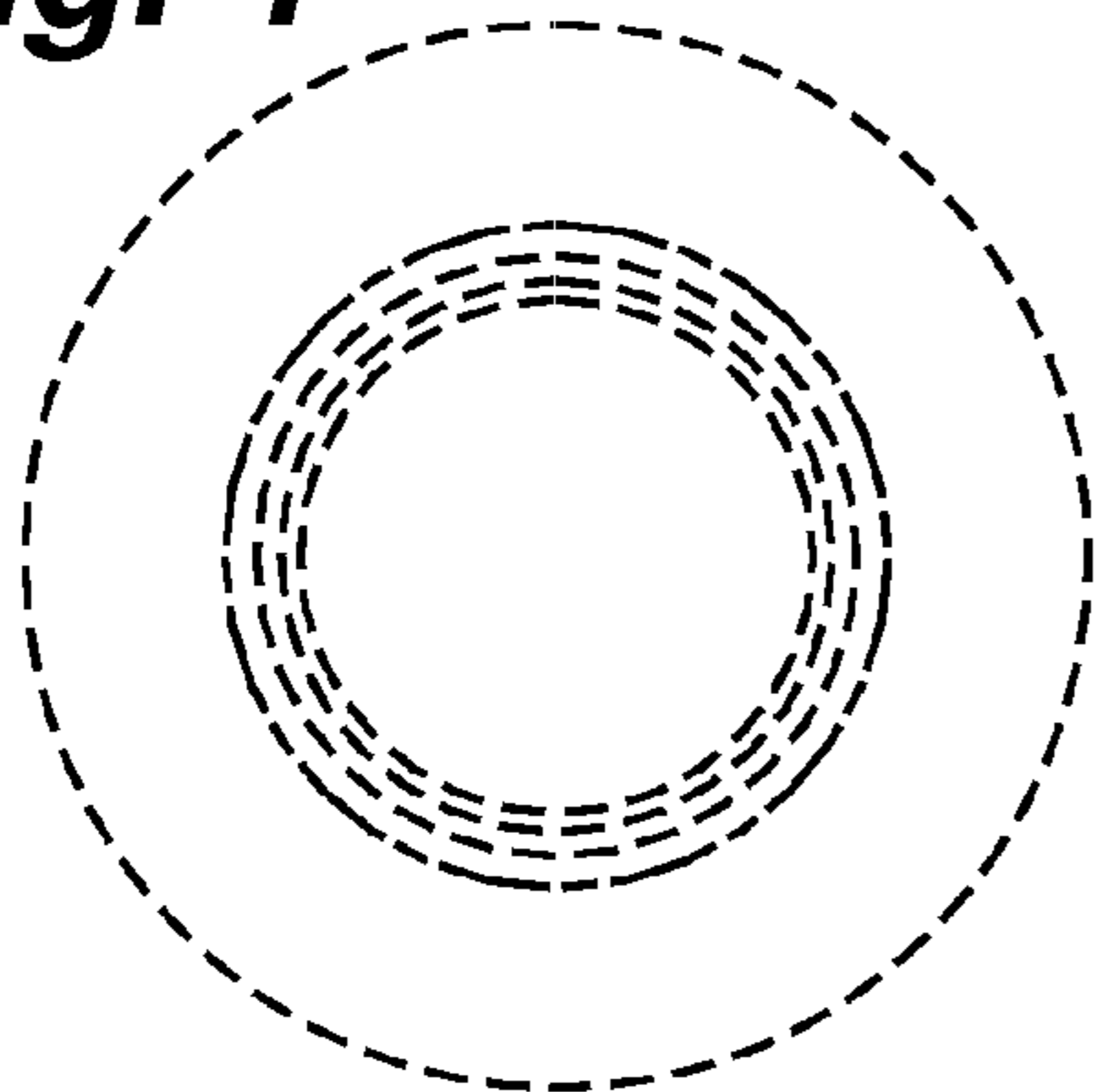


Fig. 5

