



US00D575157S

(12) **United States Design Patent**
Jaketic

(10) **Patent No.:** **US D575,157 S**

(45) **Date of Patent:** **** Aug. 19, 2008**

(54) **DISPENSER**

(75) Inventor: **Ronald J. Jaketic**, Millstone, NJ (US)

(73) Assignee: **McNeil-PPC, Inc.**, Skillman, NJ (US)

(**) Term: **14 Years**

(21) Appl. No.: **29/291,364**

(22) Filed: **Aug. 24, 2007**

(51) **LOC (8) Cl.** **09-01**

(52) **U.S. Cl.** **D9/516; D9/535; D9/682;**
D9/435

(58) **Field of Classification Search** D9/682-694,
D9/715, 719, 722, 517, 521, 526, 528, 529,
D9/531, 535, 543, 571-575; D3/208-210,
D3/212; D28/5, 91.1, 77; D11/79; 222/173,
222/175, 192, 631, 635, 372, 383.1, 401-402.25;
215/379, 382, 383; 206/37, 38, 570

See application file for complete search history.

(56) **References Cited**

U.S. PATENT DOCUMENTS

1,712,496 A	5/1929	Goertz	
1,794,385 A	3/1931	McAtree	
D199,165 S	9/1964	Ryden	
D277,549 S	2/1985	Martinez	
D278,370 S	4/1985	Speitel	
D288,491 S *	2/1987	Speitel	D28/91.1
D300,331 S	3/1989	Horntrich	
D310,480 S *	9/1990	Geiger	D9/689
D329,382 S	9/1992	Boucheron	
D343,351 S *	1/1994	Haythornthwaite	D9/689
5,305,874 A *	4/1994	McLaughlin	206/37
5,307,960 A	5/1994	Fay, Sr.	
6,199,726 B1 *	3/2001	Cardwell et al.	222/402.11
D449,978 S *	11/2001	Viellard	D9/687
D486,387 S *	2/2004	Lee et al.	D9/719
D497,803 S *	11/2004	Nichols et al.	D9/417
D519,377 S	4/2006	Grant	
D519,841 S	5/2006	Grant	
D525,133 S *	7/2006	Zeh et al.	D9/516

D525,871 S *	8/2006	Zeh et al.	D9/521
D531,039 S *	10/2006	Couey	D9/522
D532,695 S *	11/2006	Grant	D9/521
D557,615 S *	12/2007	Kroupa	D9/730
2006/0032867 A1 *	2/2006	Grant	222/192
2006/0032868 A1	2/2006	Grant	

FOREIGN PATENT DOCUMENTS

DE	7431161 U	9/1974
DE	9217863 A	12/1992
EP	141725 B1	10/1984
EP	670186 B1	12/1990
EP	601348 A1	11/1993
FR	2545382 A1	5/1983
FR	2702195 A1	3/1993
WO	WO 9210408	6/1992
WO	DM/054033	* 10/2000

* cited by examiner

Primary Examiner—Catherine Tuttle

(57) **CLAIM**

The ornamental design for a dispenser, as shown and described.

DESCRIPTION

FIG. 1 is a front and right perspective view of a dispenser showing my new design;

FIG. 2 is a front elevational view of the dispenser of FIG. 1;

FIG. 3 is a back elevational view of the dispenser of FIG. 1;

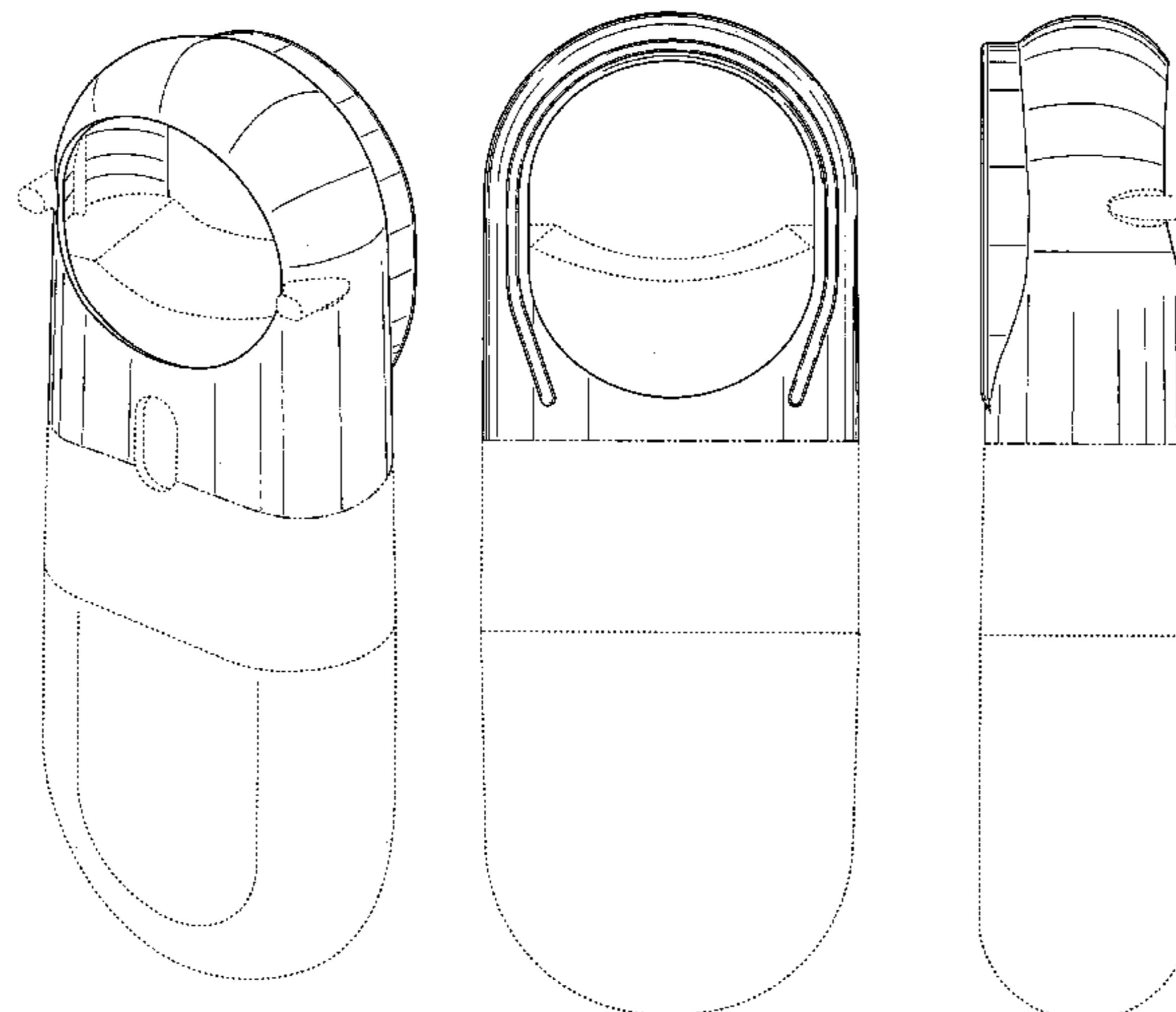
FIG. 4 is a left side elevational view of the dispenser of FIG. 1;

FIG. 5 is a top plan view of the dispenser of FIG. 1; and,

FIG. 6 is a bottom plan view of the dispenser of FIG. 1.

The dotted lines are included for the purpose of illustrating portions of the dispenser that form no part of the claimed design, with the dot-dot-dash lines being representative of the unclaimed lower boundary of the design.

1 Claim, 5 Drawing Sheets



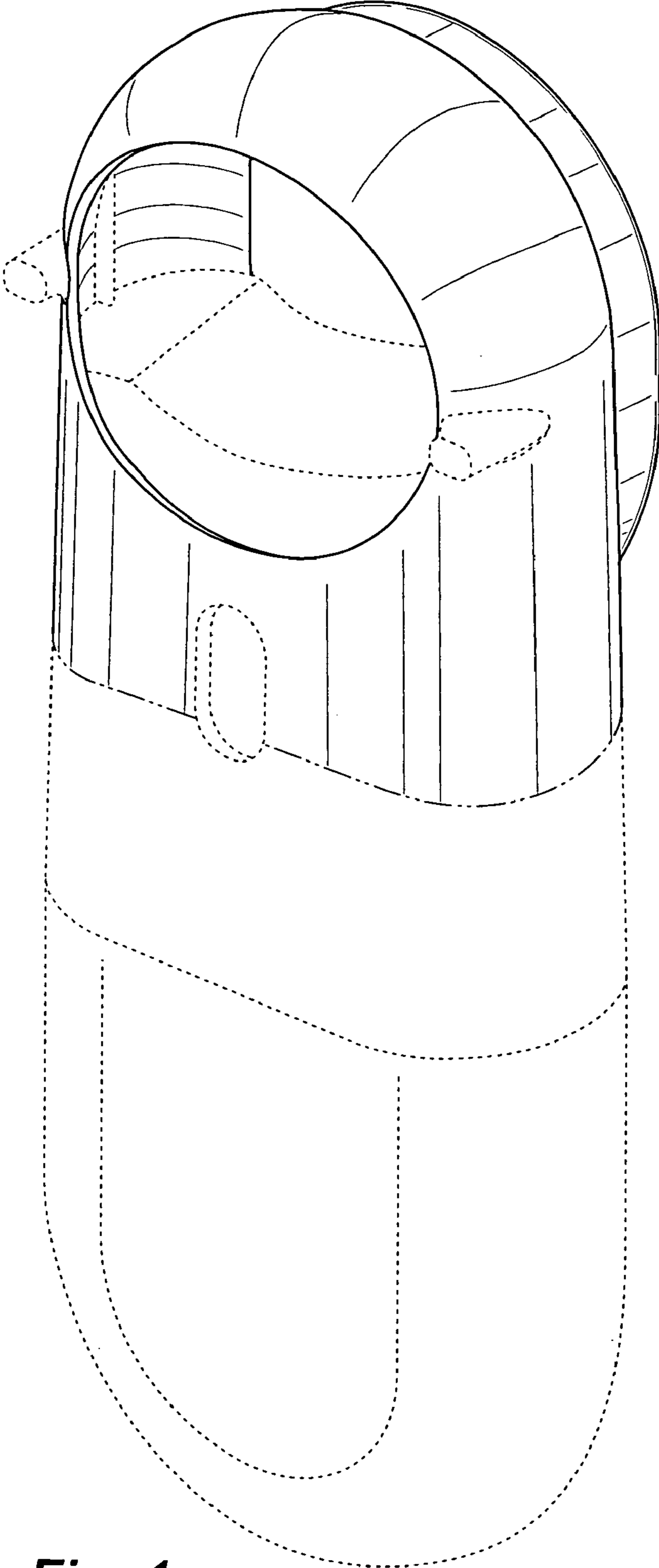


Fig. 1

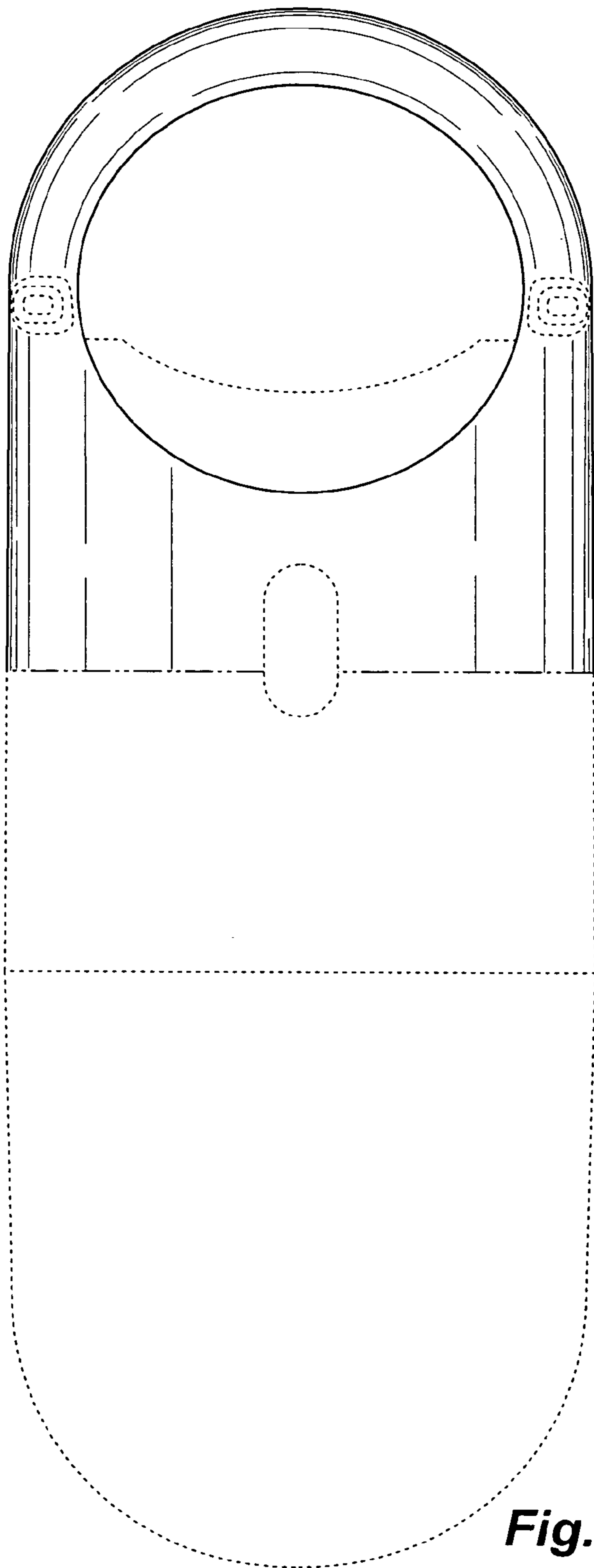


Fig. 2

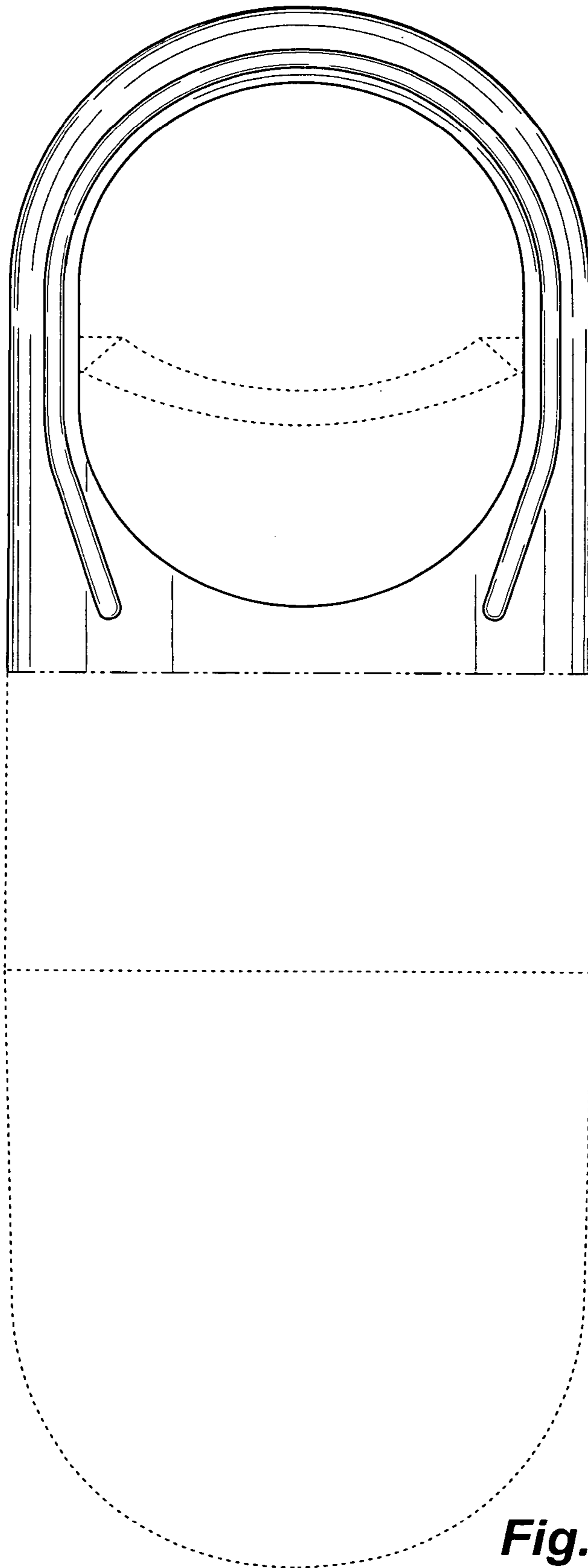


Fig. 3

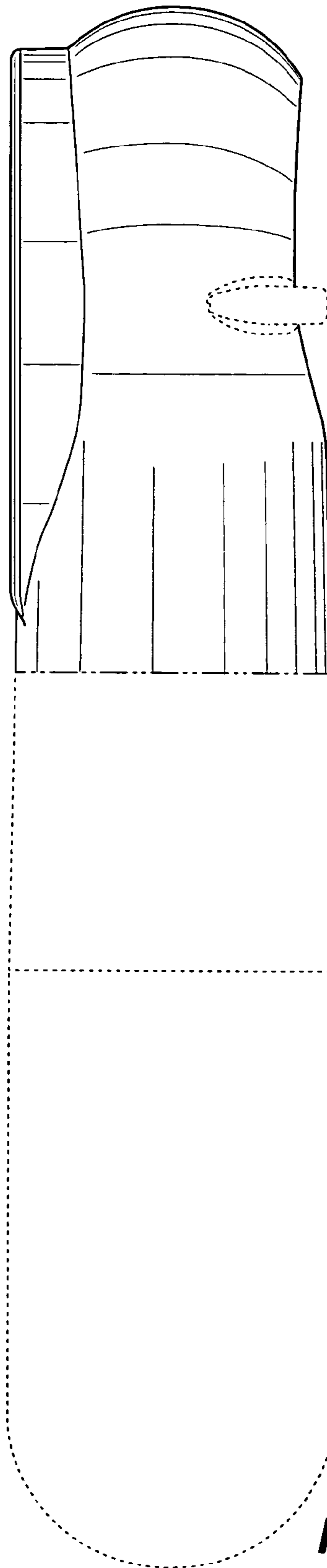


Fig. 4

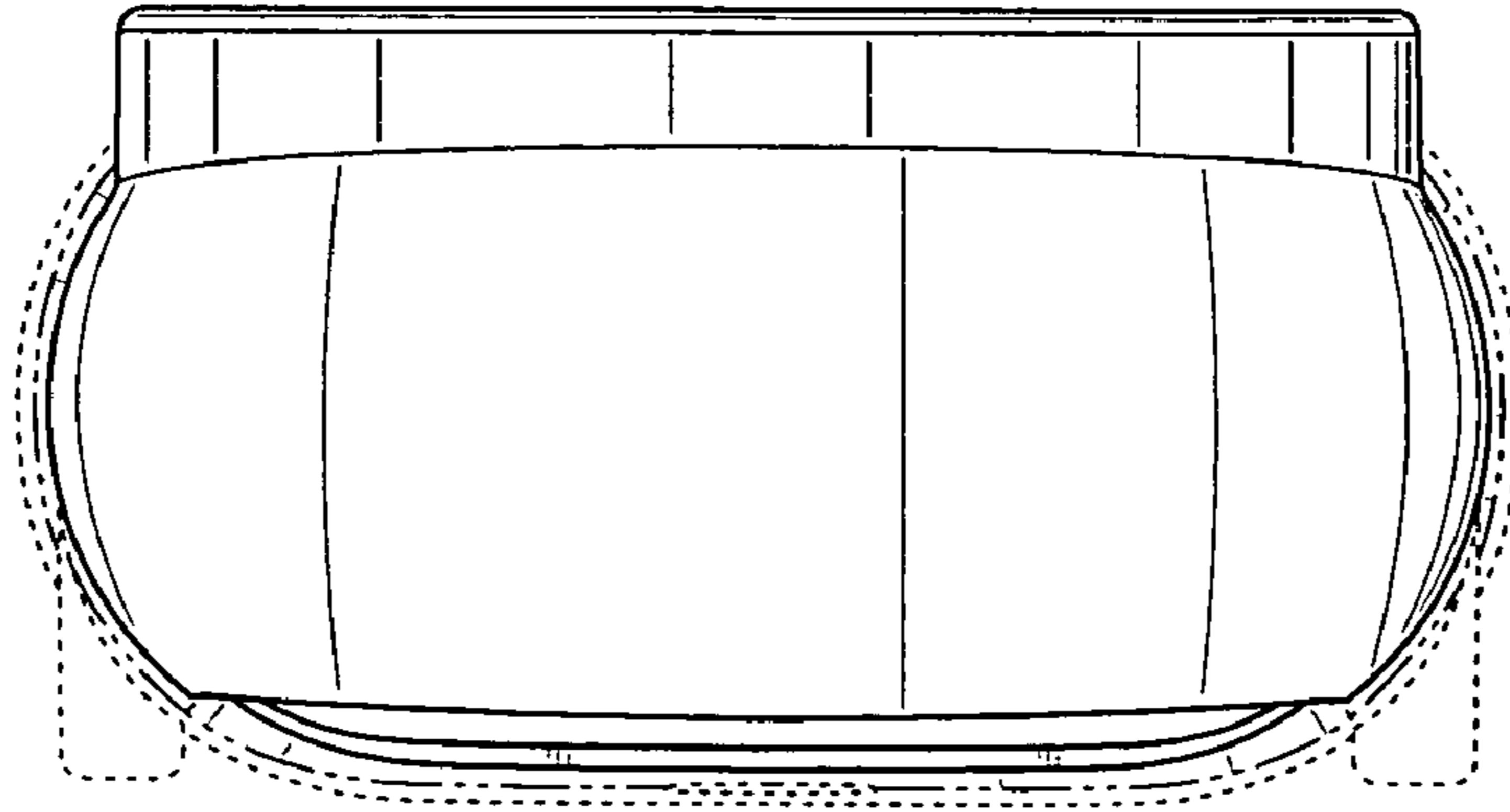


Fig. 5

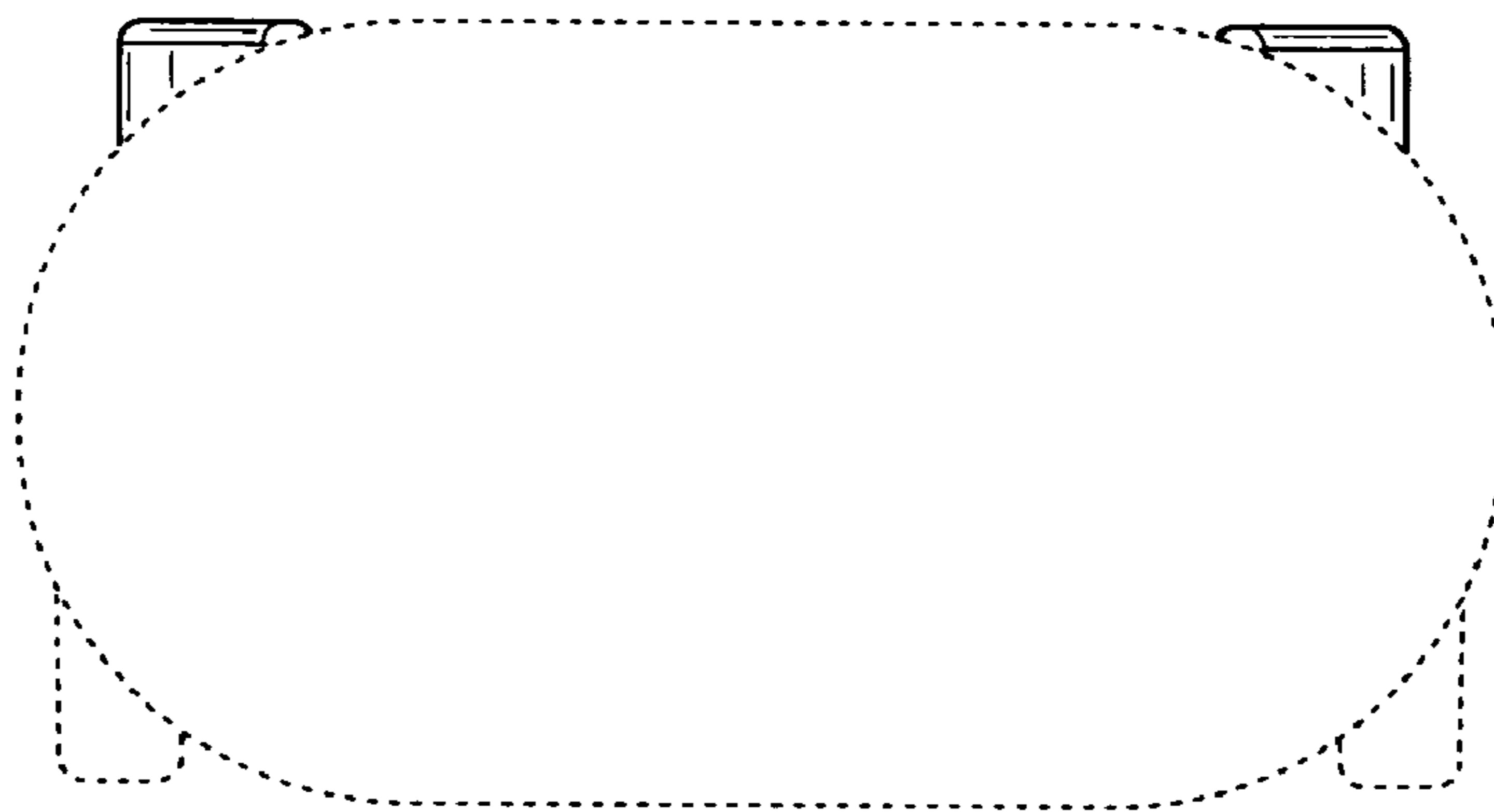


Fig. 6