



US00D575155S

(12) **United States Design Patent**  
**Kinds et al.**

(10) **Patent No.:** **US D575,155 S**

(45) **Date of Patent:** **\*\* Aug. 19, 2008**

(54) **REMOVABLE LID JAR**

D381,582 S \* 7/1997 Bolton ..... D9/780  
D502,101 S \* 2/2005 Kerman ..... D9/505

(75) Inventors: **Sascha Kinds**, New Hampton, IA (US);  
**Peggy Stover**, New Hampton, IA (US);  
**Michael D. Shook**, Lancaster, OH (US);  
**Teddy Feracho**, Jacksonville, FL (US)

\* cited by examiner

*Primary Examiner*—Ian Simmons  
*Assistant Examiner*—Dana L Sipos

(73) Assignee: **Soy Basics LLC**, New Hampton, IA  
(US)

(74) *Attorney, Agent, or Firm*—Greenebaum Doll &  
McDonald PLLC; Glenn D. Bellamy

(\*\*) Term: **14 Years**

(57) **CLAIM**

(21) Appl. No.: **29/281,004**

The ornamental design for a removable lid jar, as shown and described.

(22) Filed: **Jun. 13, 2007**

**DESCRIPTION**

(51) **LOC (8) Cl.** ..... **09-01**

FIG. 1 is a top perspective view of a removable lid jar showing our new design;

(52) **U.S. Cl.** ..... **D9/500; D9/505**

FIG. 2 is a front elevation view thereof, the rear elevation being identical;

(58) **Field of Classification Search** ..... D9/500,  
D9/502–505, 516, 529, 549, 558, 682, 686,  
D9/688–692, 905, 763, 772, 779–780; D3/203.2,  
D3/203.3; D28/7–8, 76, 78, 82, 91; 215/379–385;  
220/660, 662, 669, 675; D26/9–11

FIG. 3 is a top plan view thereof; and,

FIG. 4 is a bottom plan view thereof.

See application file for complete search history.

The sidewall of the jar has been shown fragmented to indicate indeterminate length.

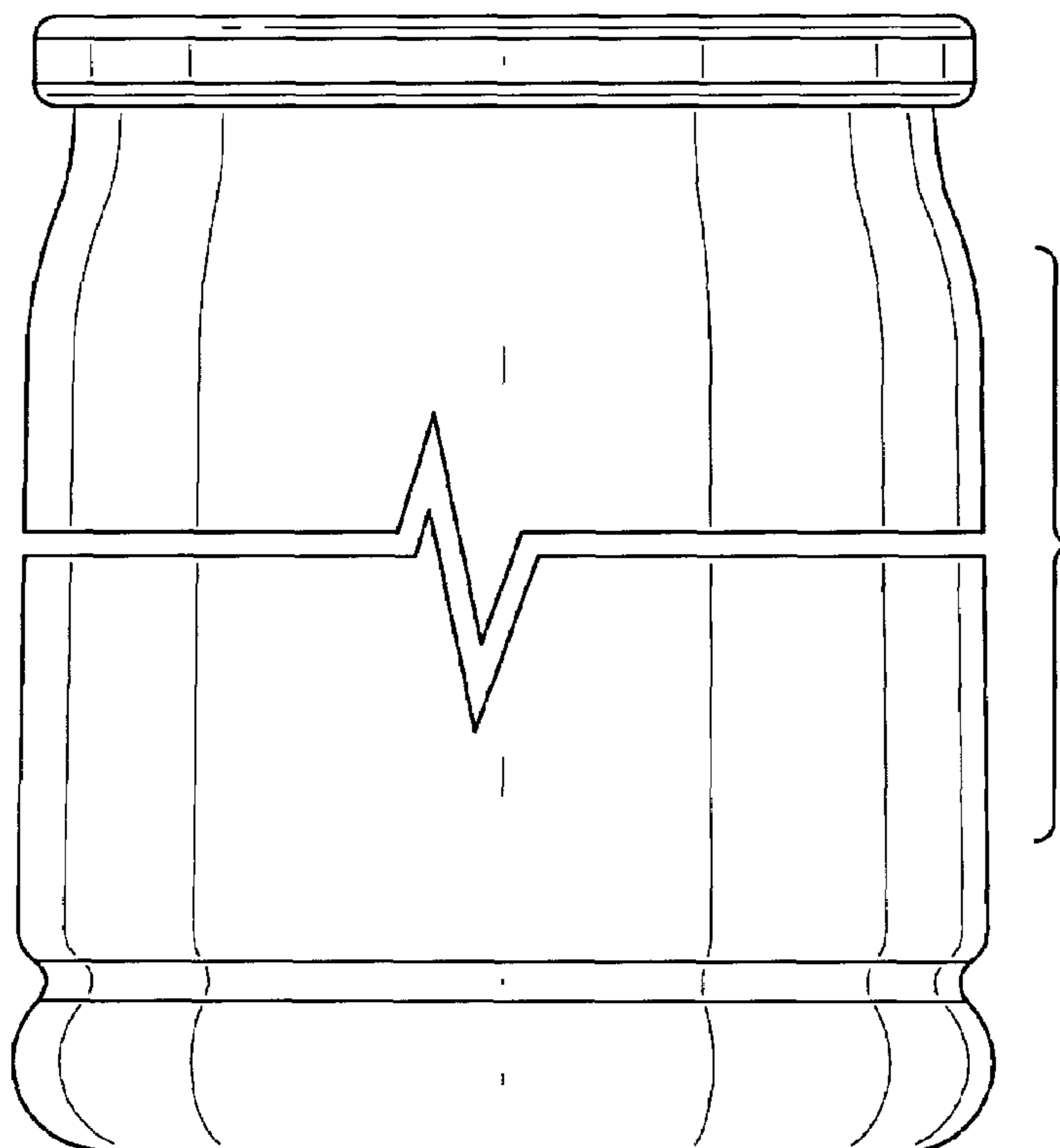
(56) **References Cited**

The broken lines shown in the drawings represent unclaimed environment and are for illustrative purposes only, forming no part of the claimed design.

**U.S. PATENT DOCUMENTS**

3,254,822 A \* 6/1966 Gutteridge et al. .... 229/5.6  
D278,680 S \* 5/1985 Guzzini ..... D9/505  
D333,617 S \* 3/1993 Brown ..... D9/780

**1 Claim, 3 Drawing Sheets**



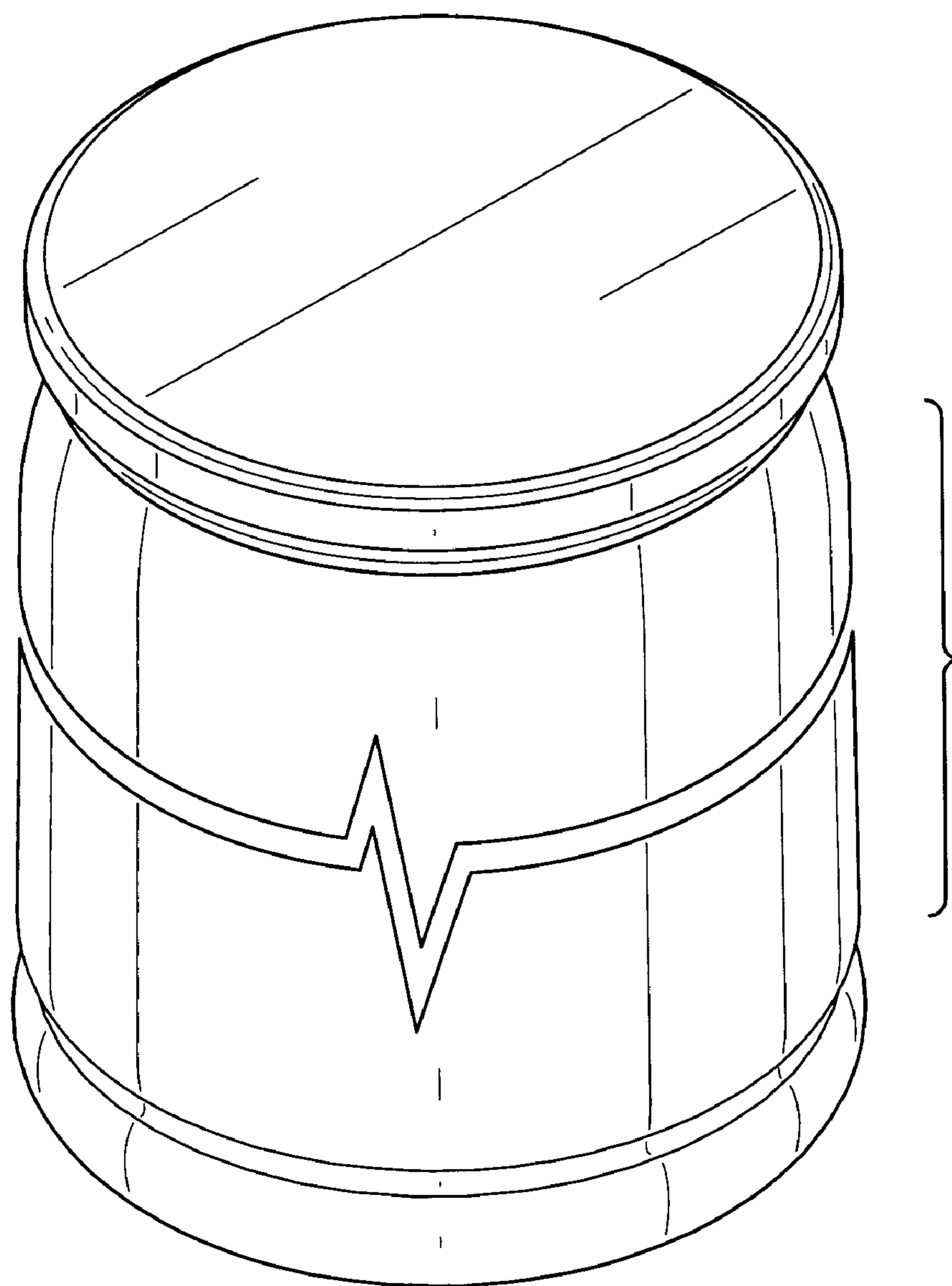


FIG. 1

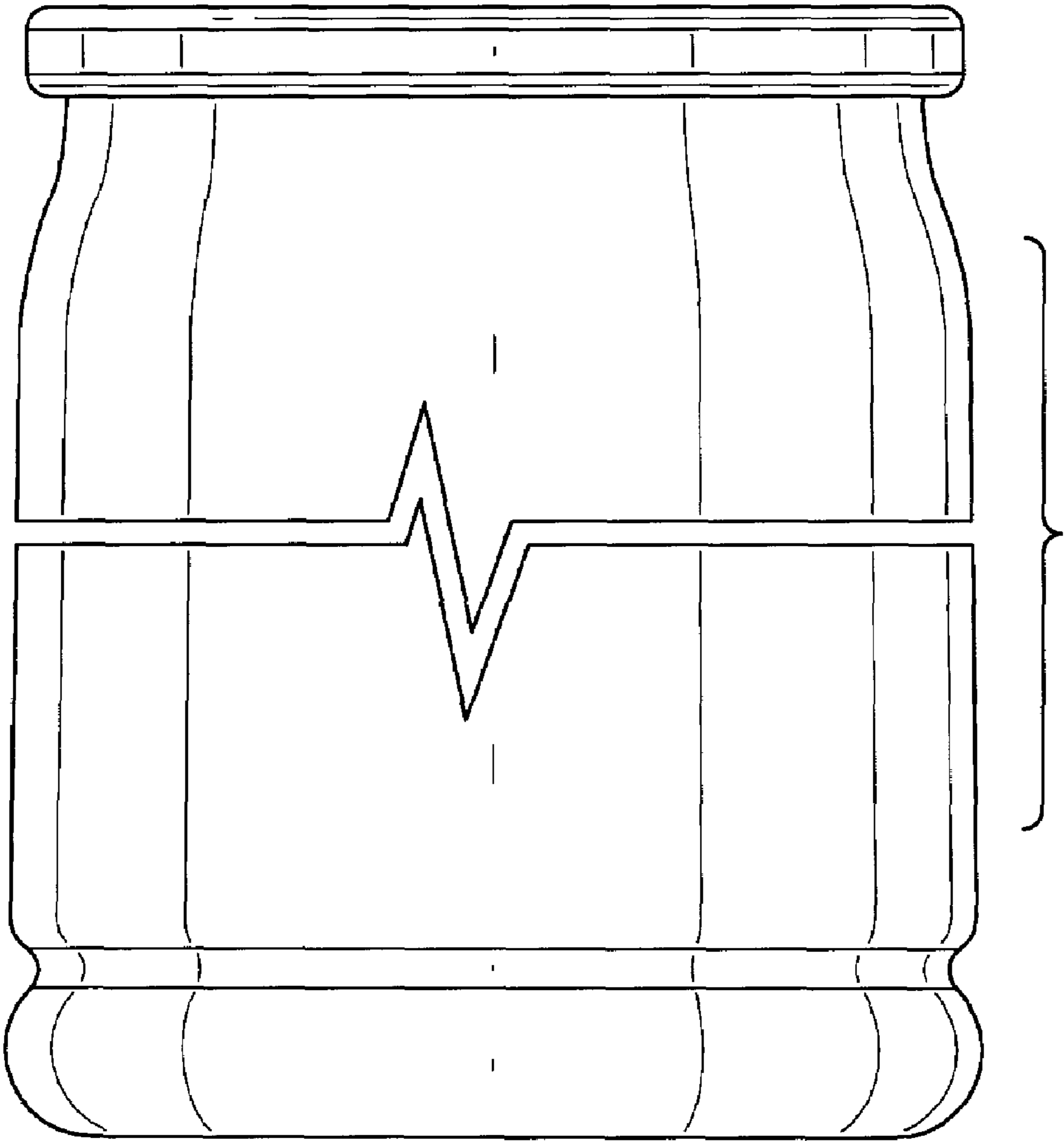


FIG. 2

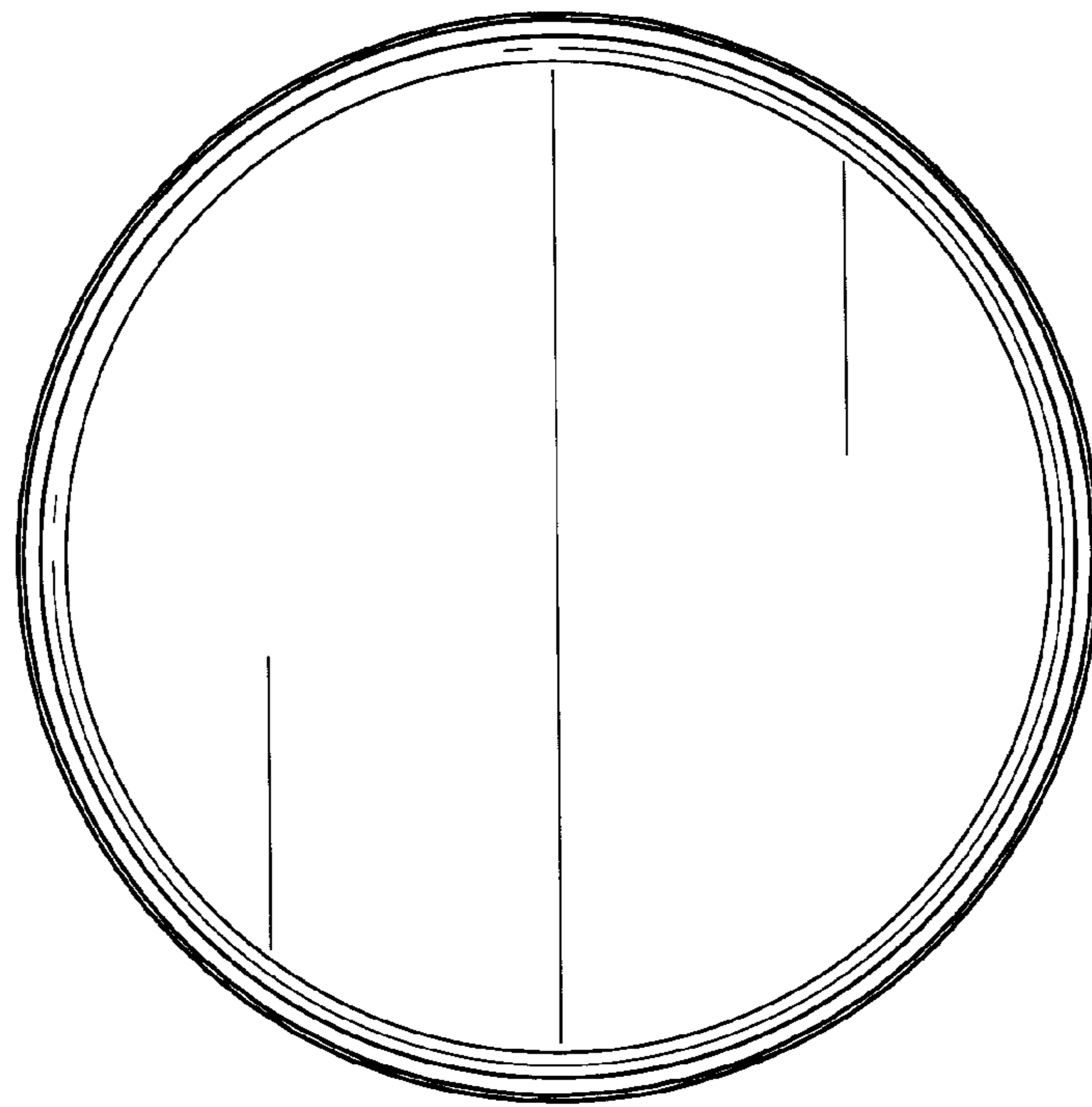


FIG. 3

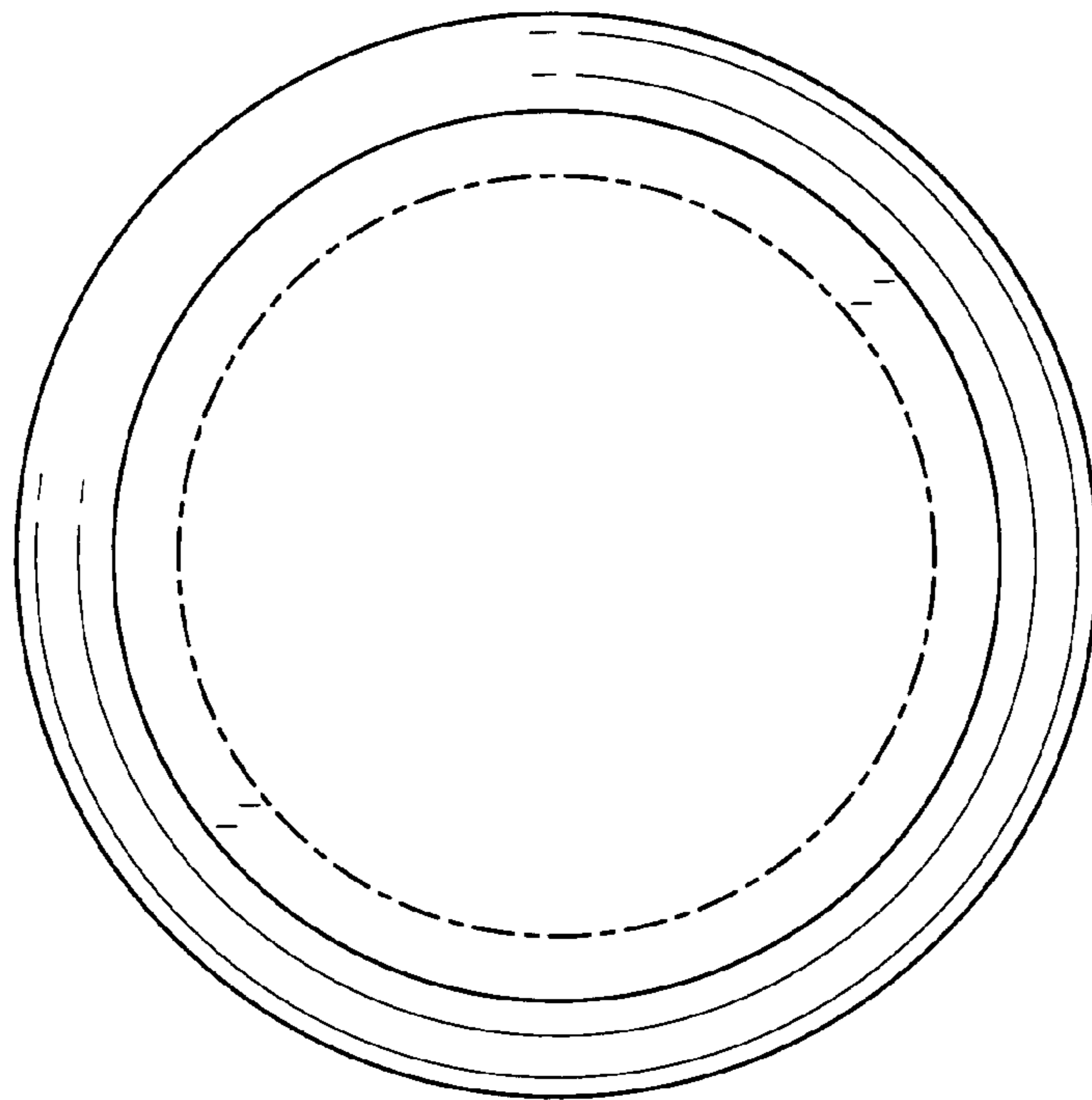


FIG. 4