



US00D575152S

(12) **United States Design Patent**
Costa

(10) **Patent No.:** **US D575,152 S**
(45) **Date of Patent:** **** Aug. 19, 2008**

(54) **DISPENSER HEAD**

(75) Inventor: **Lluis Costa**, Hacienda Heights, CA (US)

(73) Assignee: **Meadwestvaco Calmar, Inc.**,
Grandview, MO (US)

(**) Term: **14 Years**

(21) Appl. No.: **29/279,478**

(22) Filed: **May 1, 2007**

(51) **LOC (8) Cl.** **09-07**

(52) **U.S. Cl.** **D9/448**

(58) **Field of Classification Search** D9/694,
D9/693, 691, 690, 689, 688, 686, 682, 564,
D9/453, 448, 447, 445, 404; 239/573, 569;
222/649, 635, 566, 384, 321.7, 321.1, 212,
222/207, 183, 180, 153.13, 153.11; 220/915
See application file for complete search history.

(56) **References Cited**

U.S. PATENT DOCUMENTS

D491,064 S * 6/2004 Miller et al. D9/448

(Continued)

Primary Examiner—Gary D. Watson

Assistant Examiner—Susan Bennett Hattan

(57) **CLAIM**

The ornamental design for a dispenser head, as shown and described.

DESCRIPTION

FIG. 1 is a front side perspective view of a first embodiment of the dispenser head;

FIG. 2 is a top view of the first embodiment of the dispenser head;

FIG. 3 is a front view of the first embodiment dispenser head;

FIG. 4 is a left side view of the first embodiment of the dispenser head;

FIG. 5 is a right side view of the first embodiment of the dispenser head;

FIG. 6 is a rear view of the first embodiment of the dispenser head;

FIG. 7 is a bottom view of the first embodiment of the dispenser head;

FIG. 8 is a front side perspective view of a second embodiment of the dispenser head;

FIG. 9 is a top view of the second embodiment of the dispenser head;

FIG. 10 is a front view of the second embodiment of the dispenser head;

FIG. 11 is a left side view of the second embodiment of the dispenser head;

FIG. 12 is a right side view of the second embodiment of the dispenser head;

FIG. 13 is a rear view of the second embodiment of the dispenser head;

FIG. 14 is a bottom view of the second embodiment of the dispenser head.

FIG. 15 is a front side perspective view of a third embodiment of the dispenser head;

FIG. 16 is a top view of the third embodiment of the dispenser head;

FIG. 17 is a front view of the third embodiment of the dispenser head;

FIG. 18 is a left side view of the third embodiment of the dispenser head;

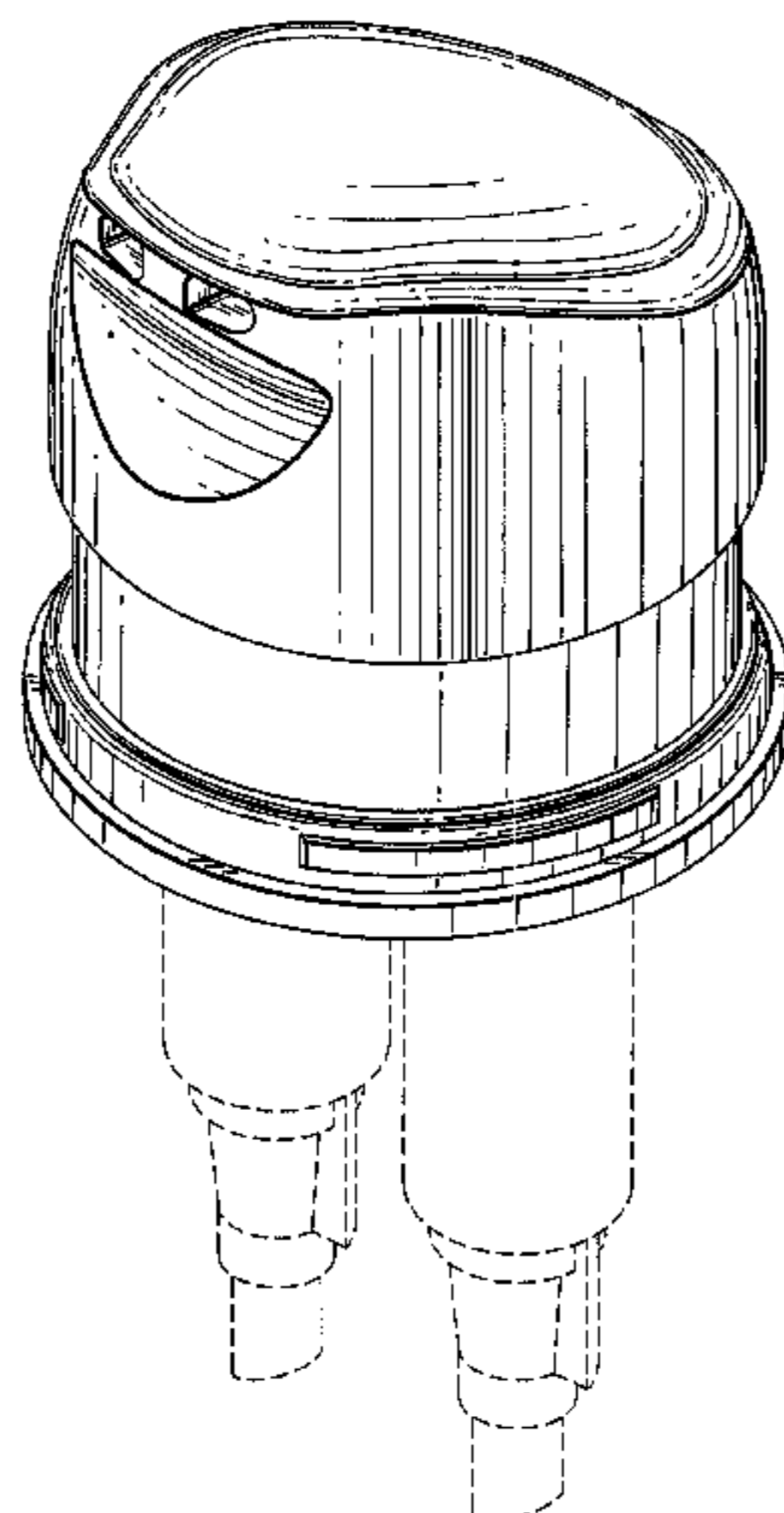
FIG. 19 is a right side view of the third embodiment of the dispenser head;

FIG. 20 is a rear view of the third embodiment of the dispenser head; and,

FIG. 21 is a bottom view of the third embodiment of the dispenser head.

The broken lines in the drawings form no part of the claimed design.

1 Claim, 9 Drawing Sheets



US D575,152 S

Page 2

U.S. PATENT DOCUMENTS

D507,487 S *	7/2005	Marroncles	D9/448	D527,632 S *	9/2006	Romer	D9/453
D510,864 S *	10/2005	Morris et al.	D9/448	2004/0245294 A1 *	12/2004	Mineau et al.	222/402.13
D511,302 S *	11/2005	Lamb et al.	D9/689	2007/0278253 A1 *	12/2007	Ruiz De Gopegui et al.	222/402.13

* cited by examiner

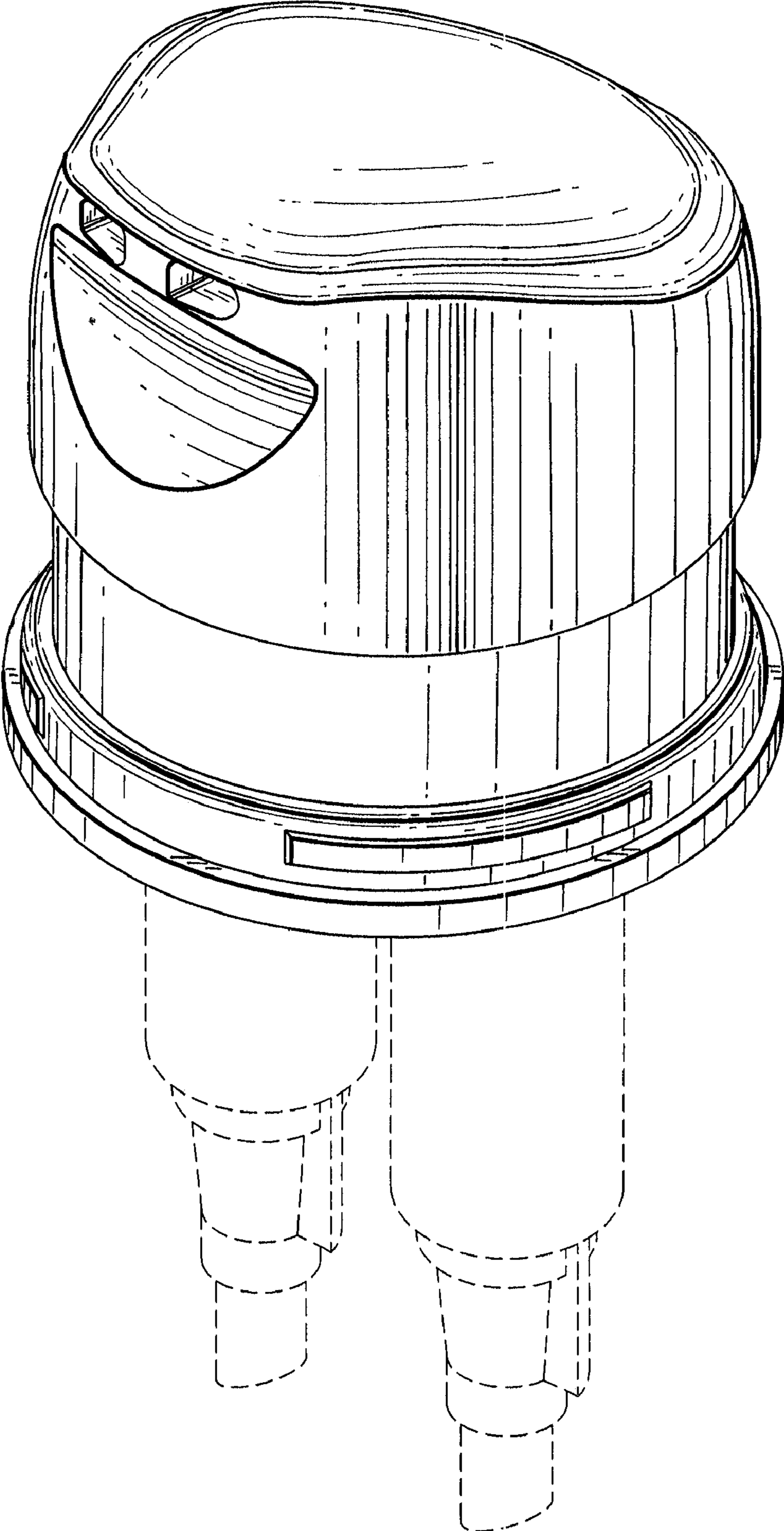


FIG. 1

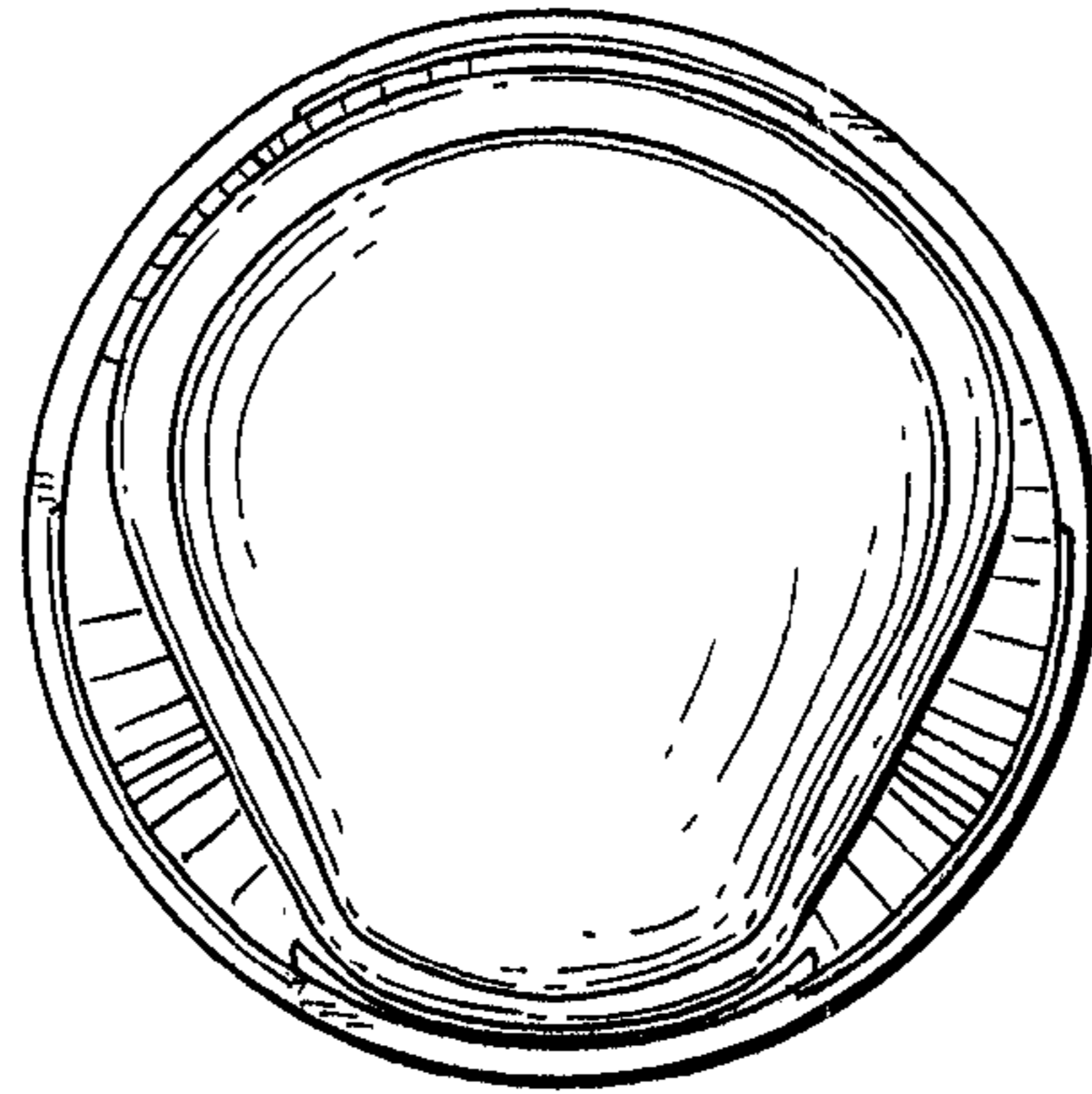


FIG. 2

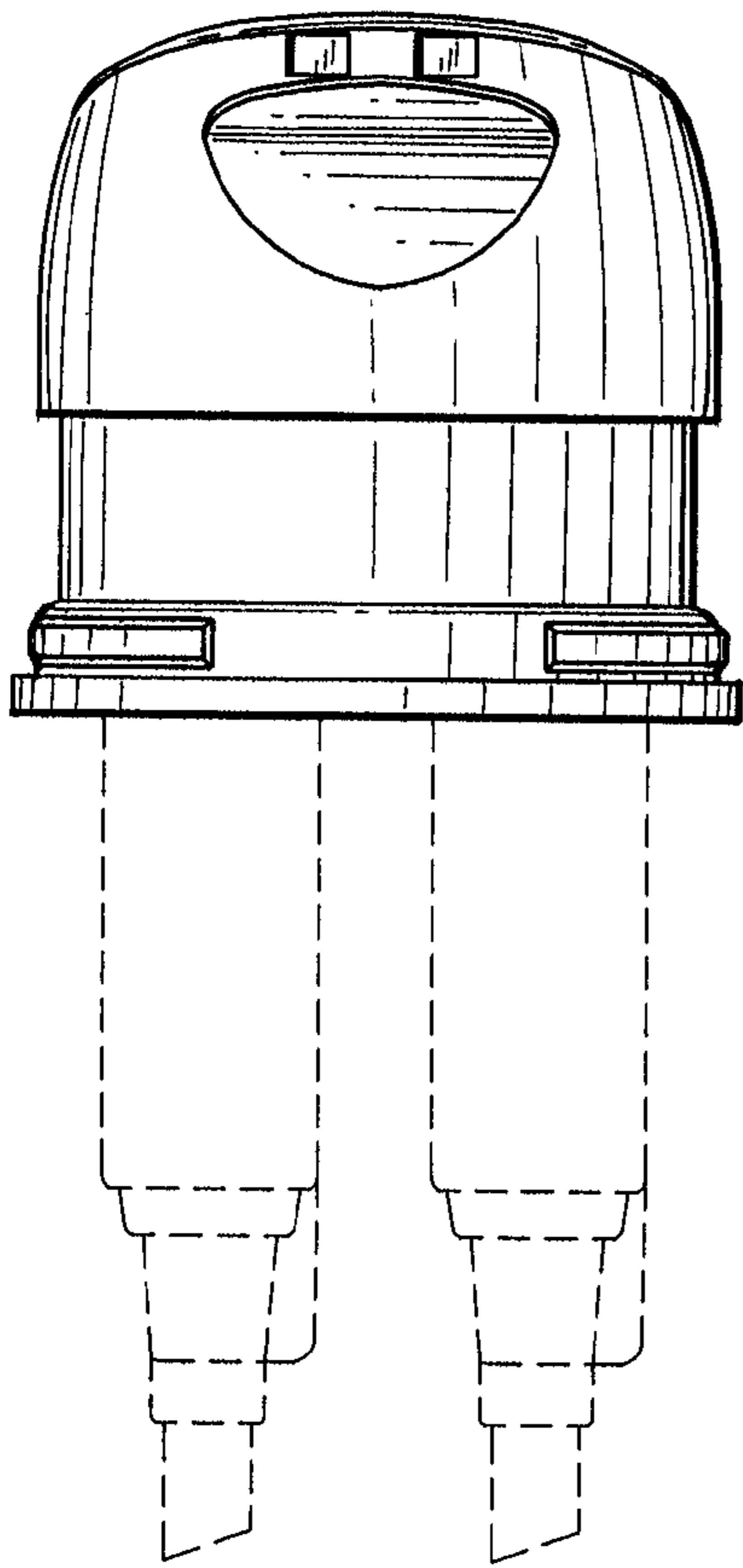


FIG. 3

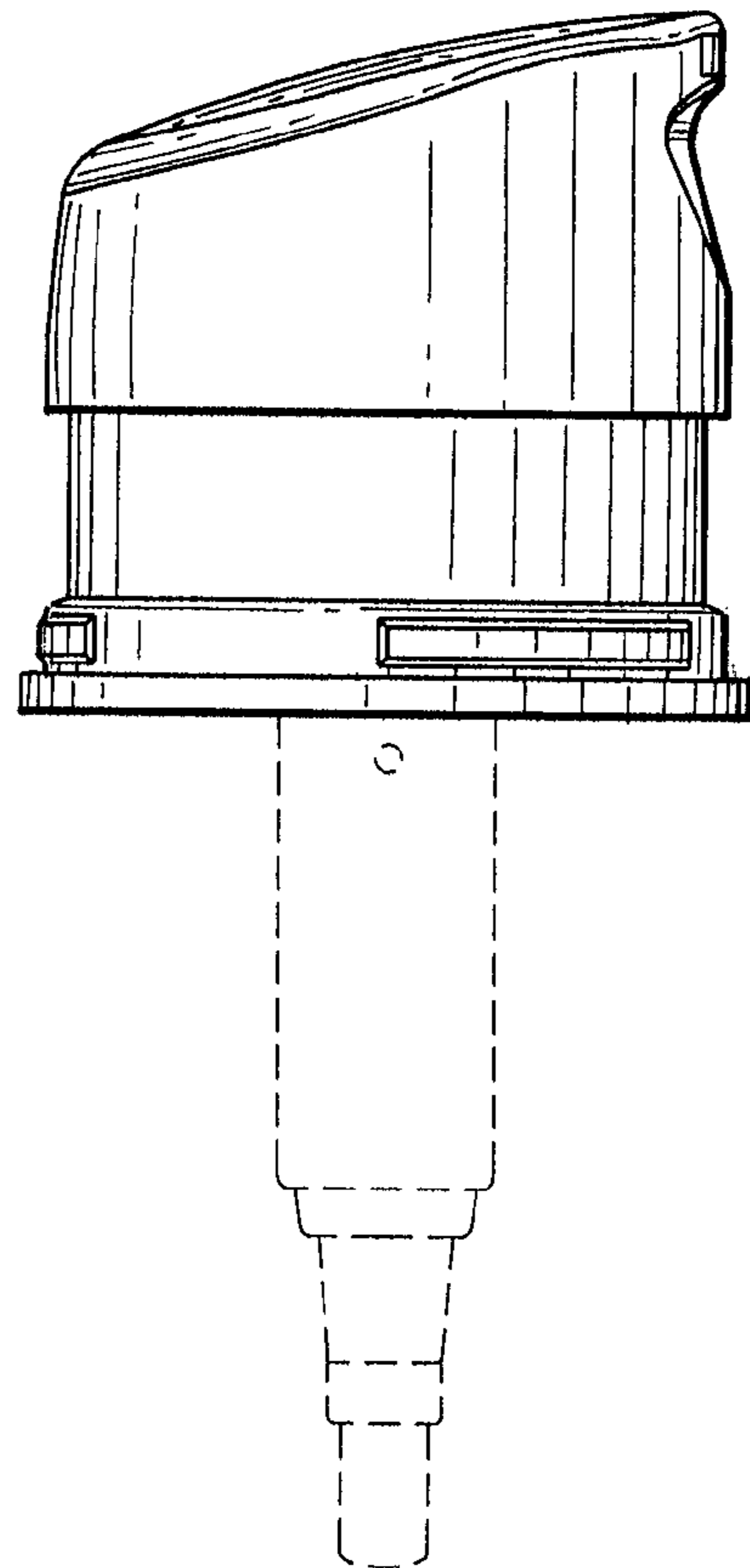


FIG. 4

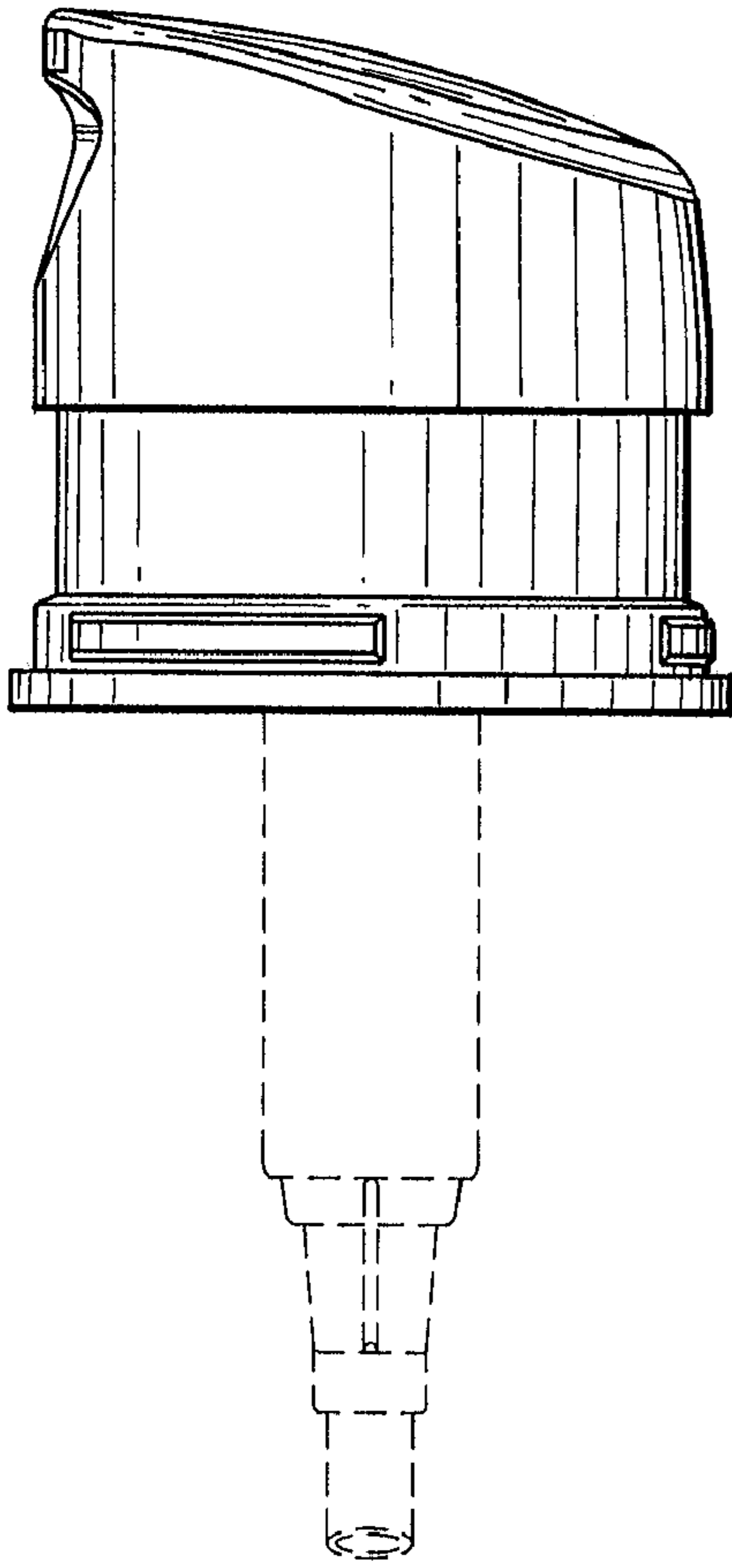


FIG. 5

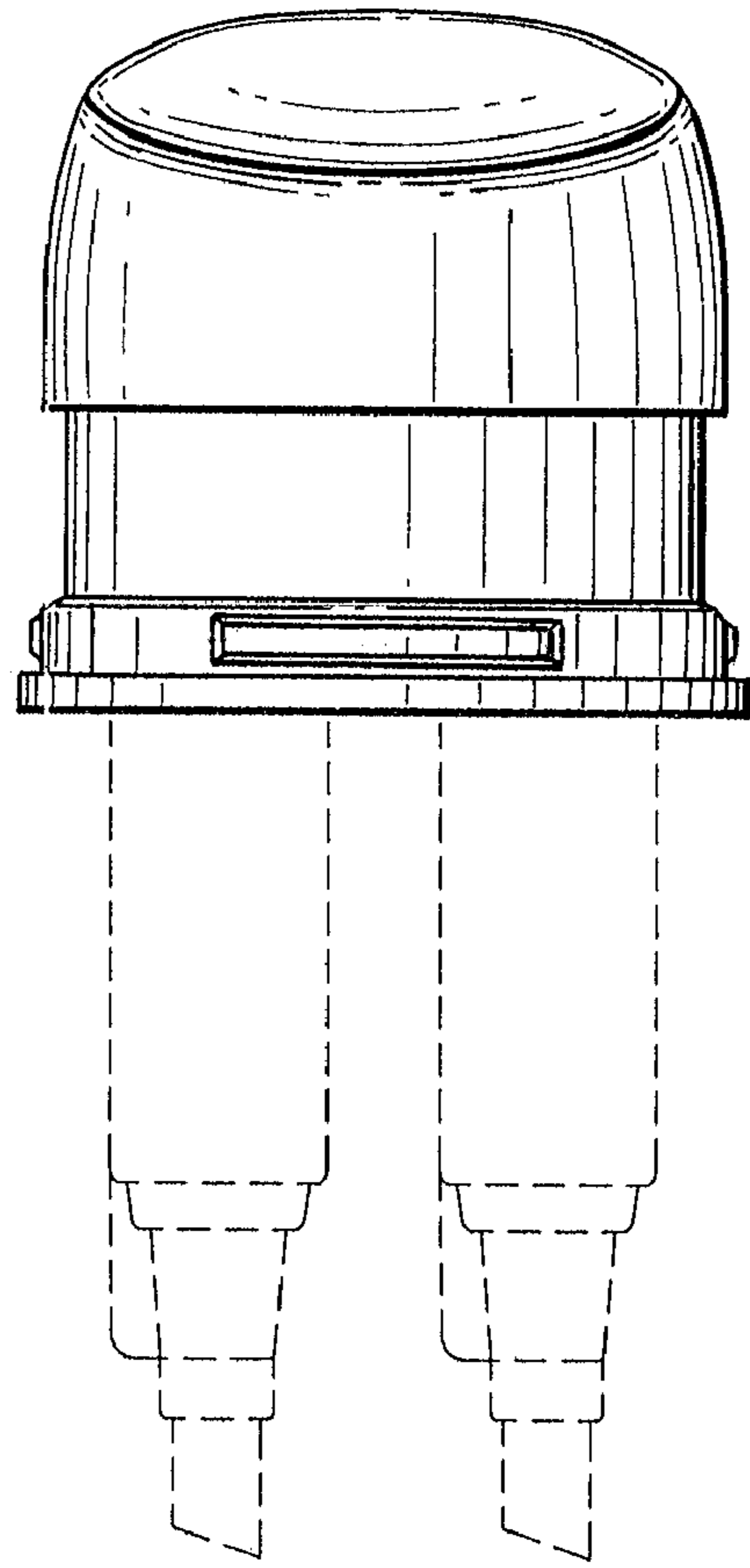


FIG. 6

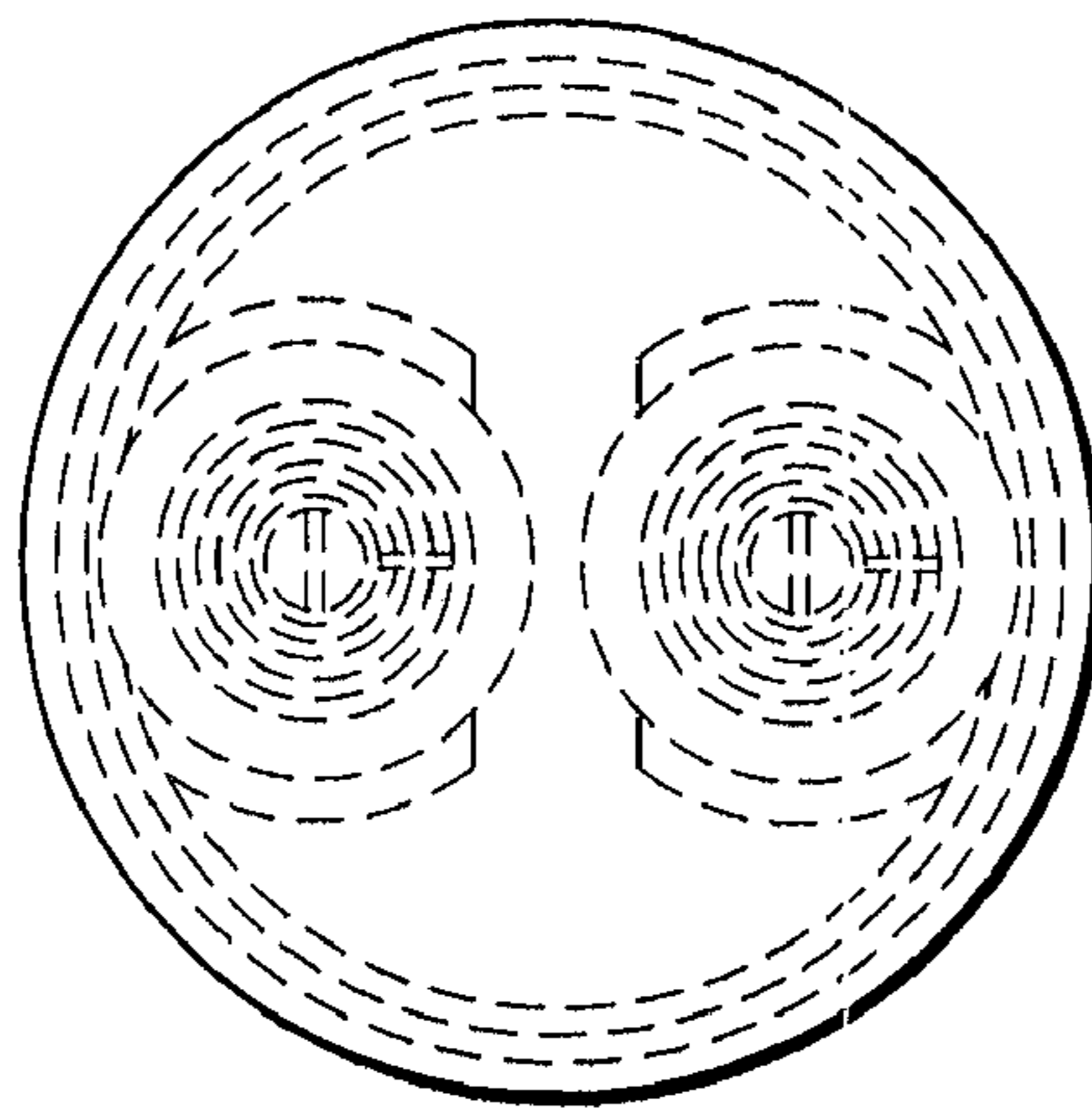


FIG. 7

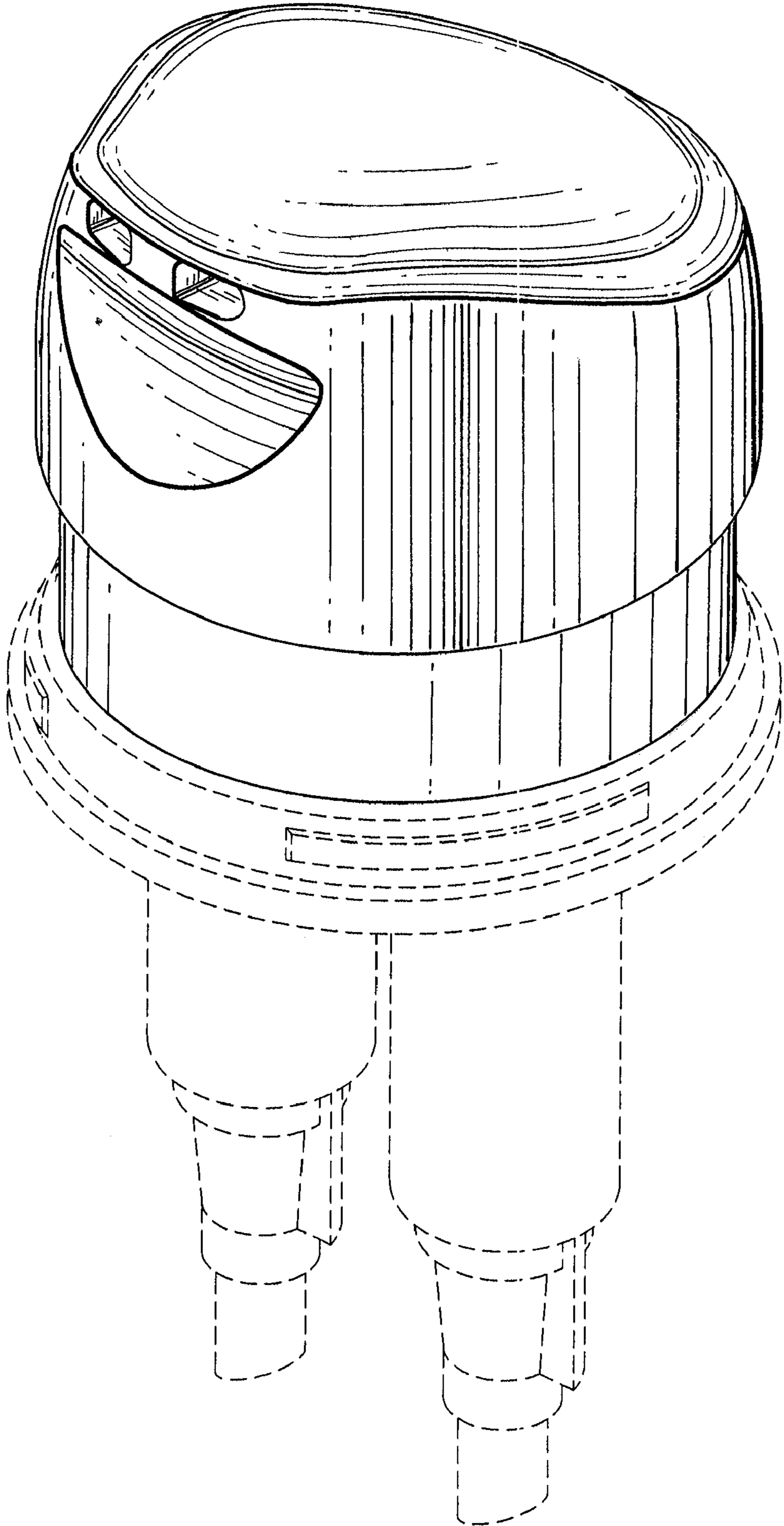


FIG.8

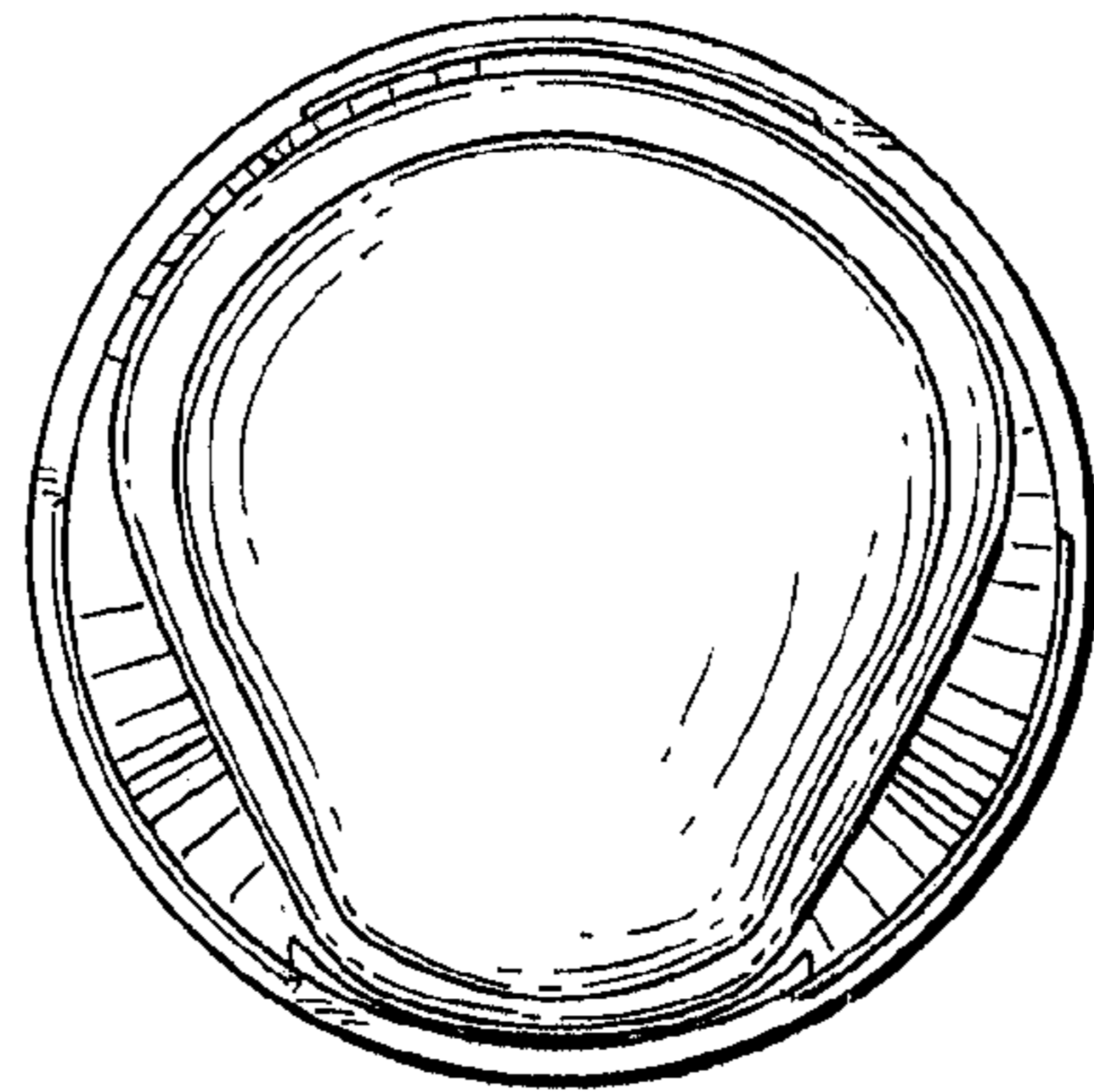


FIG. 9

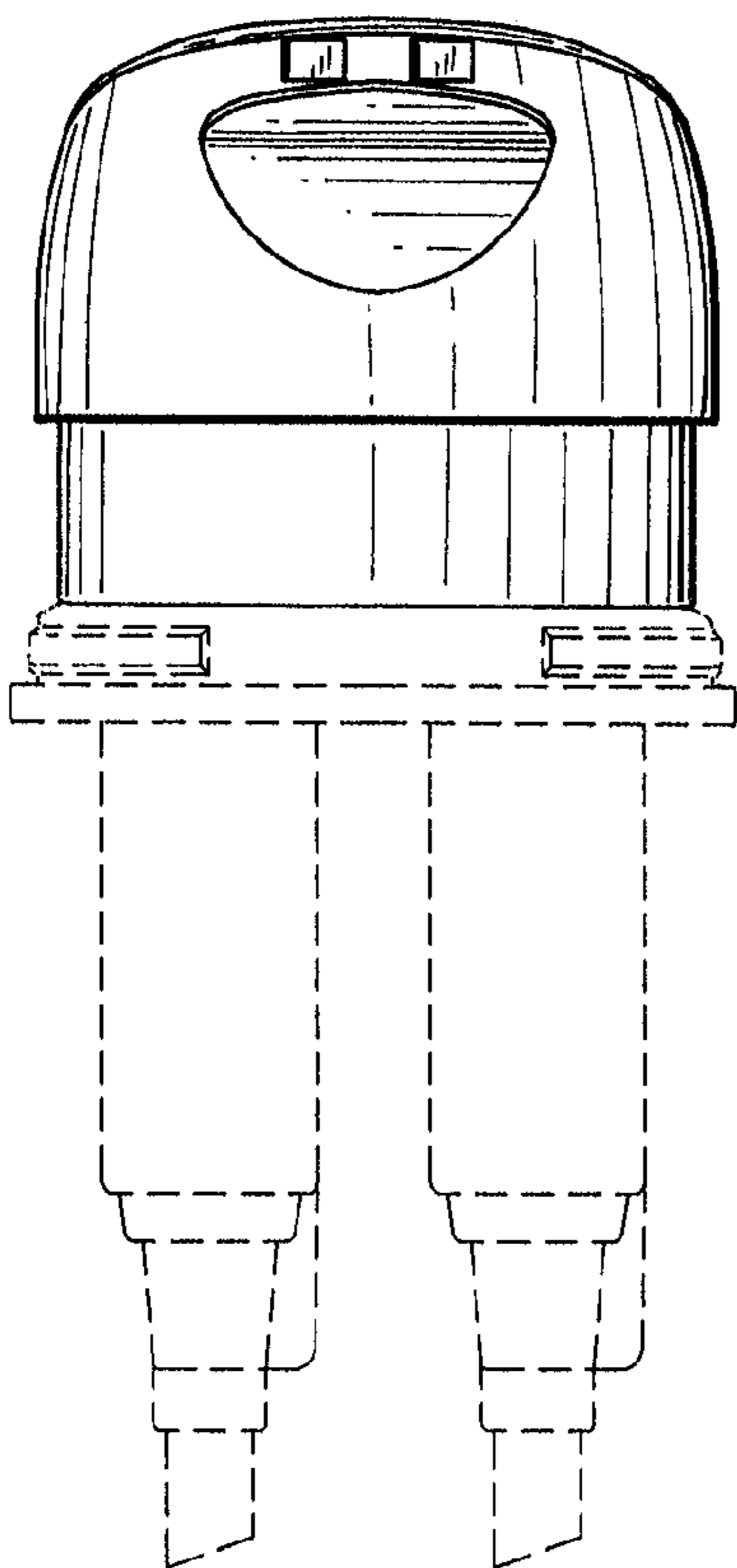


FIG. 10

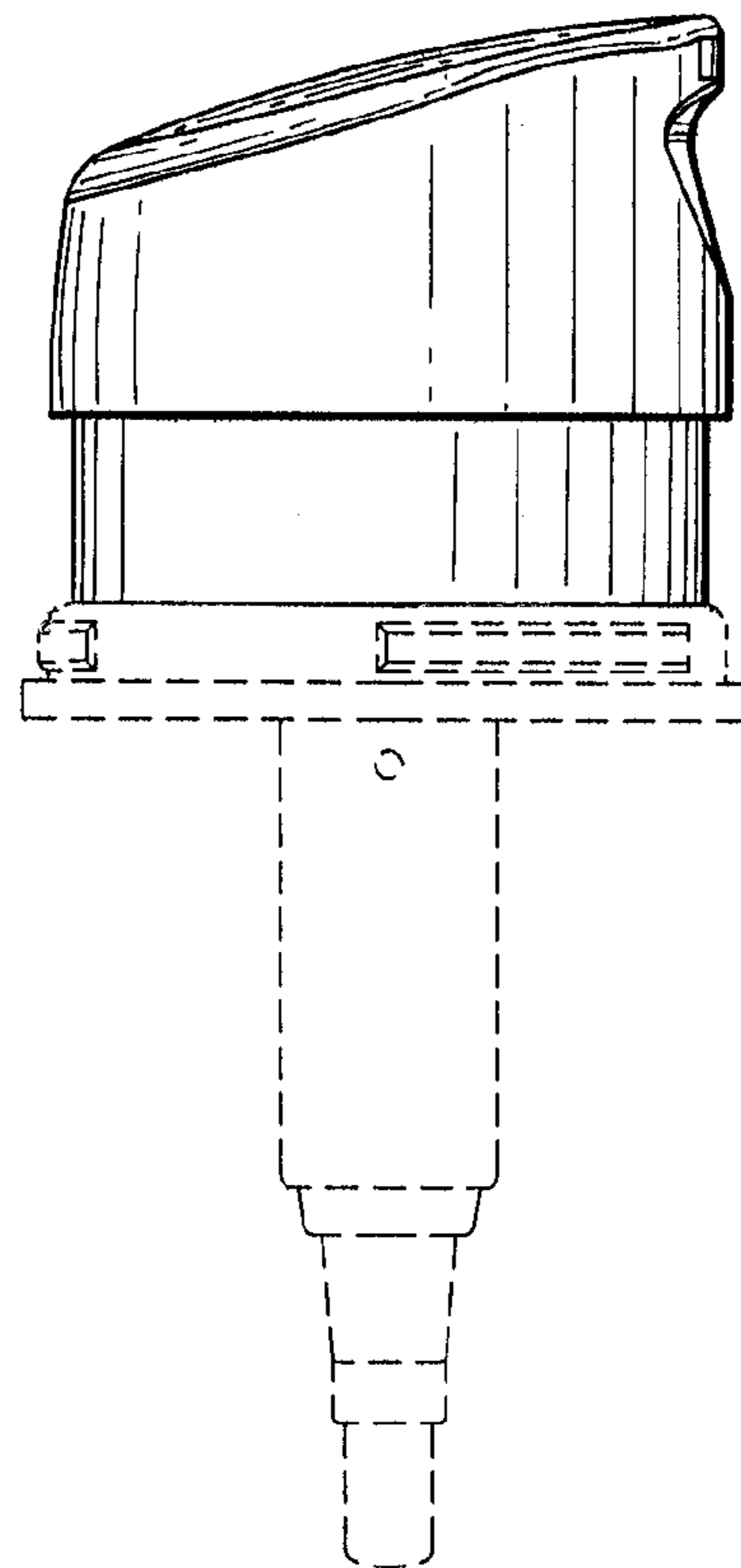


FIG. 11

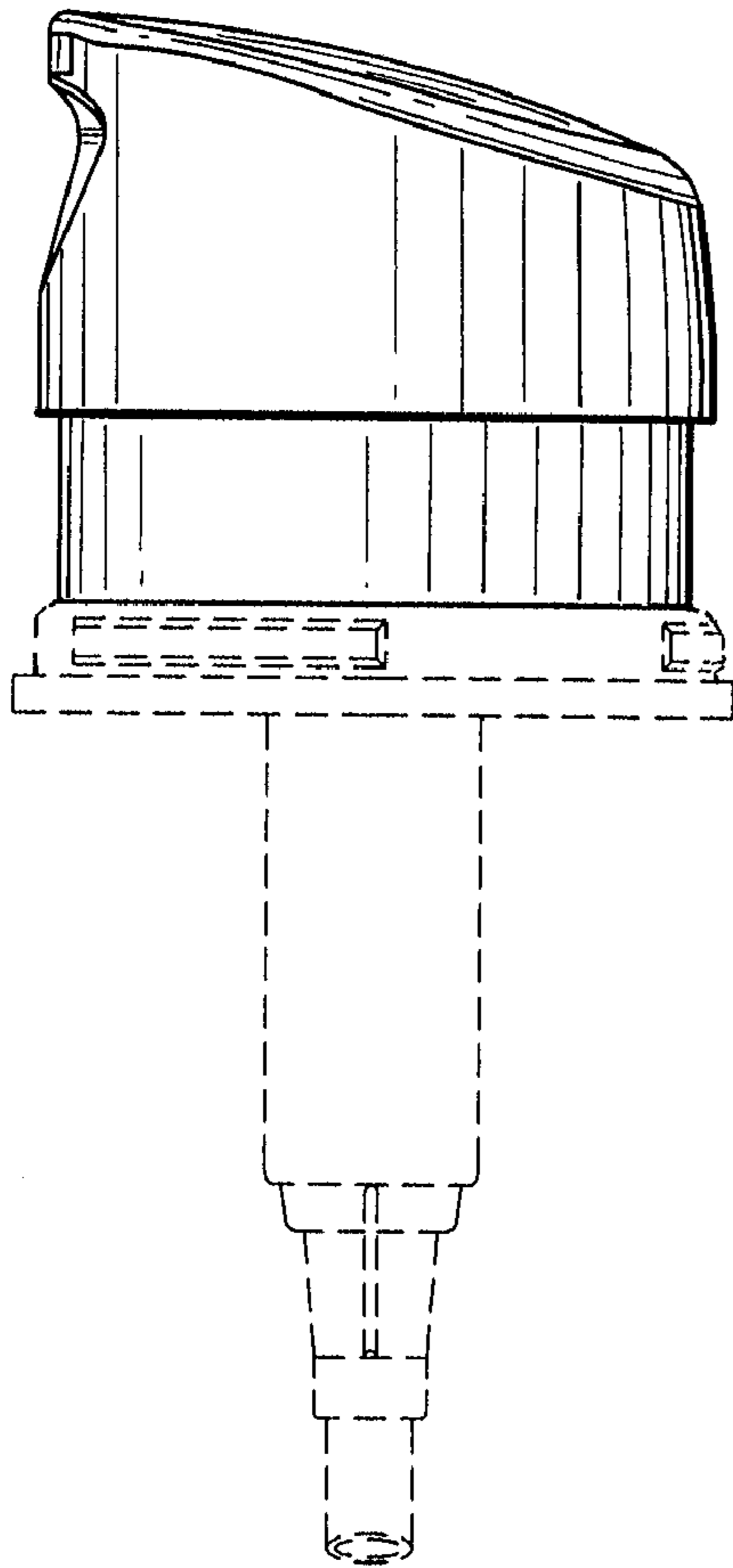


FIG. 12

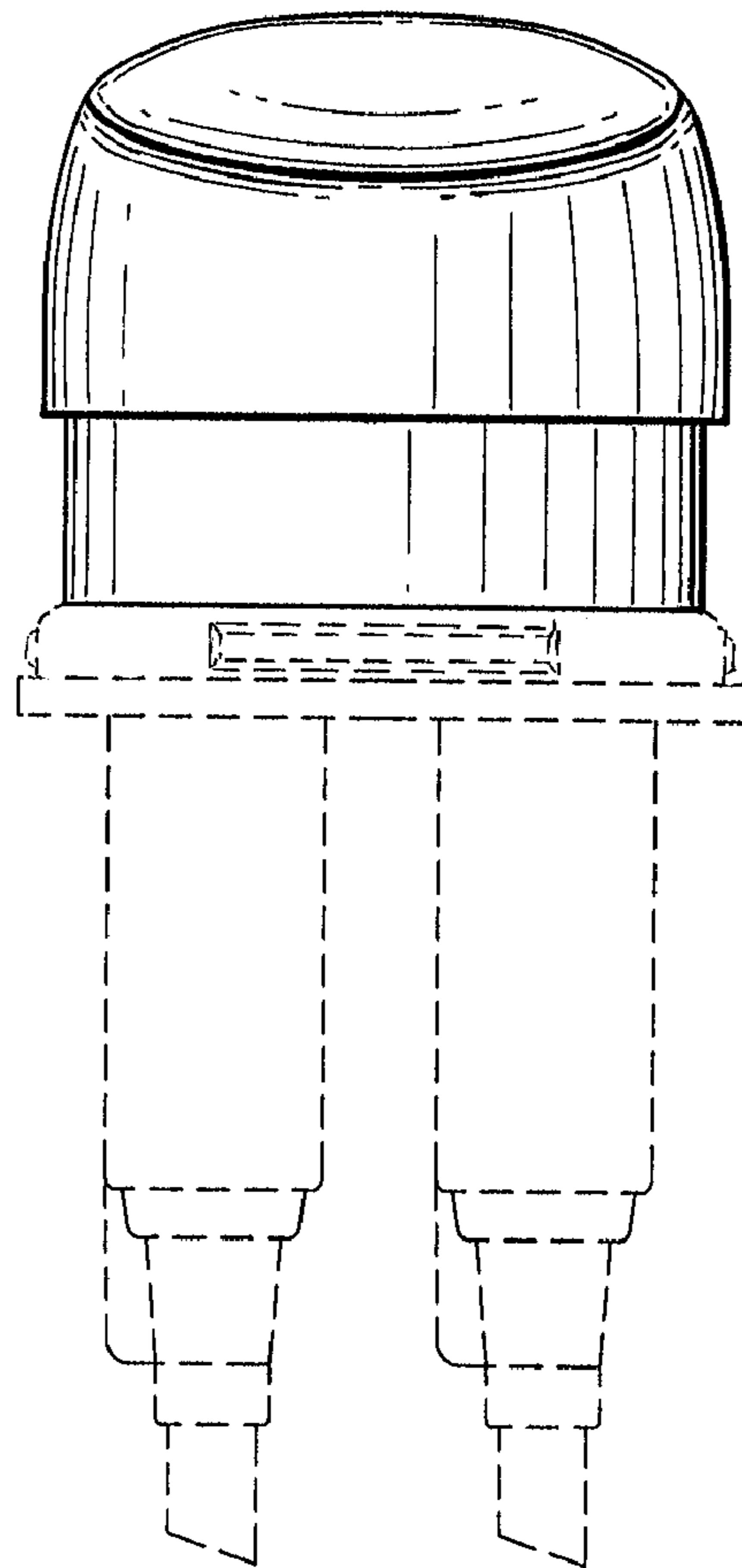


FIG. 13

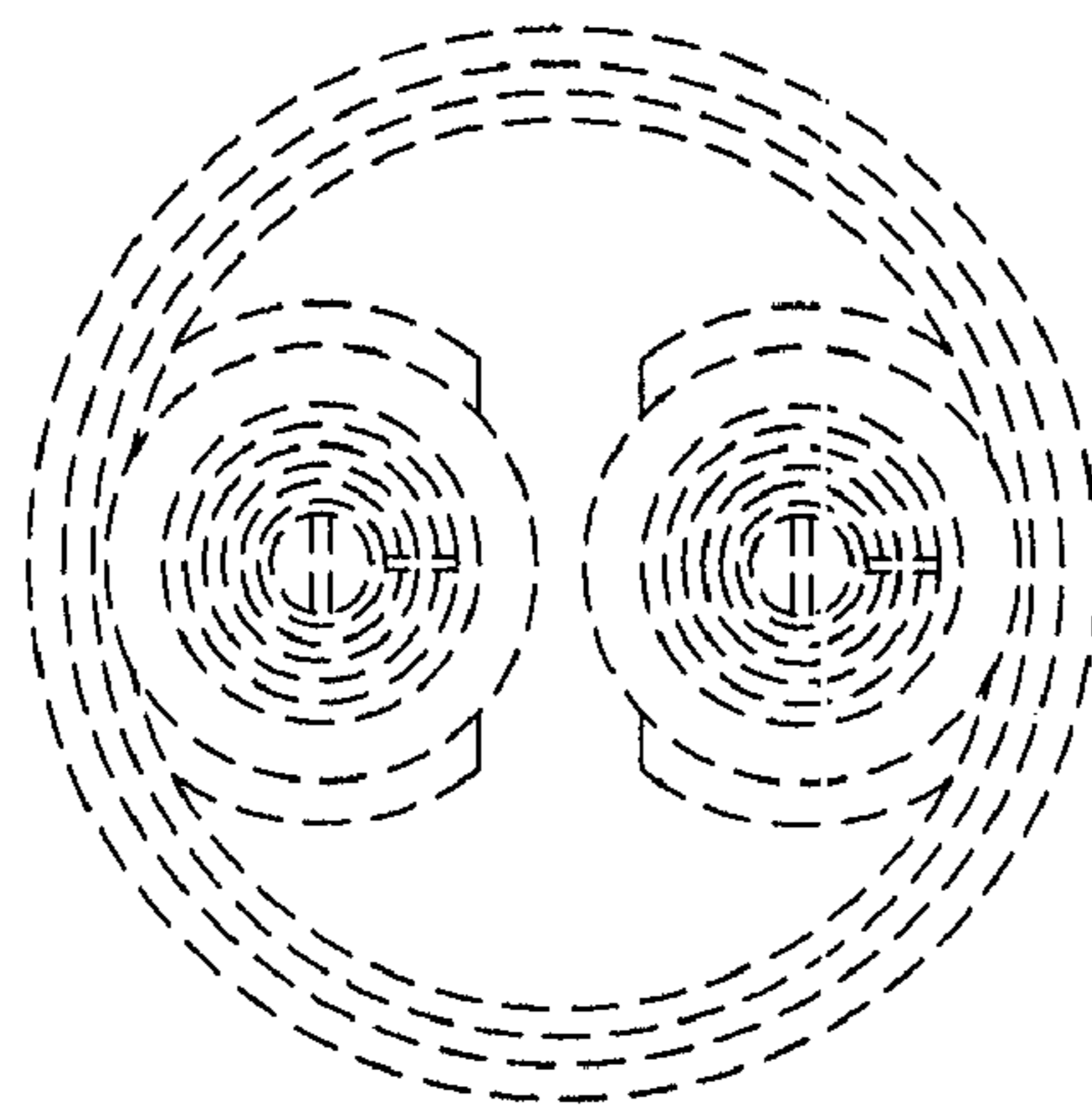


FIG. 14

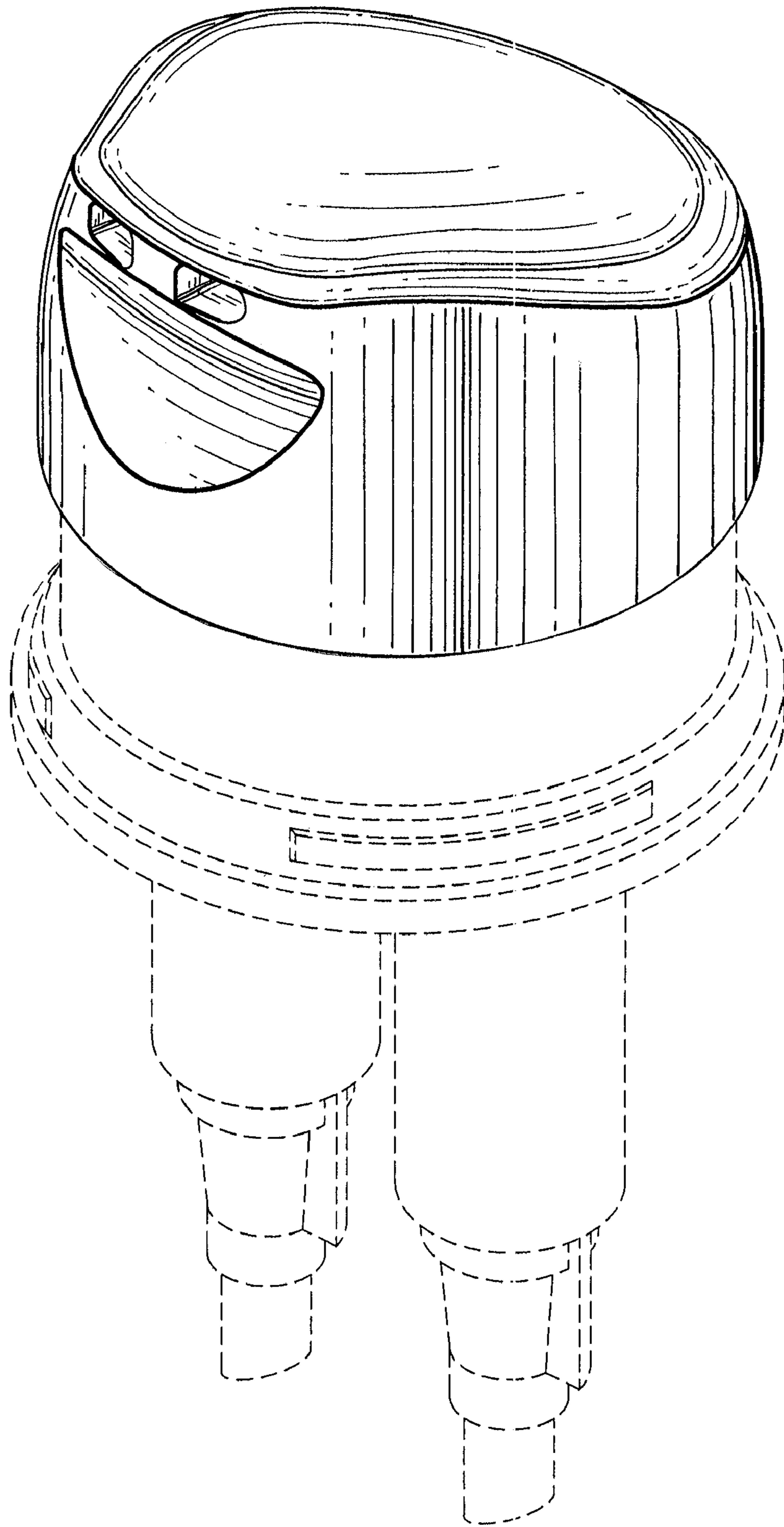


FIG. 15

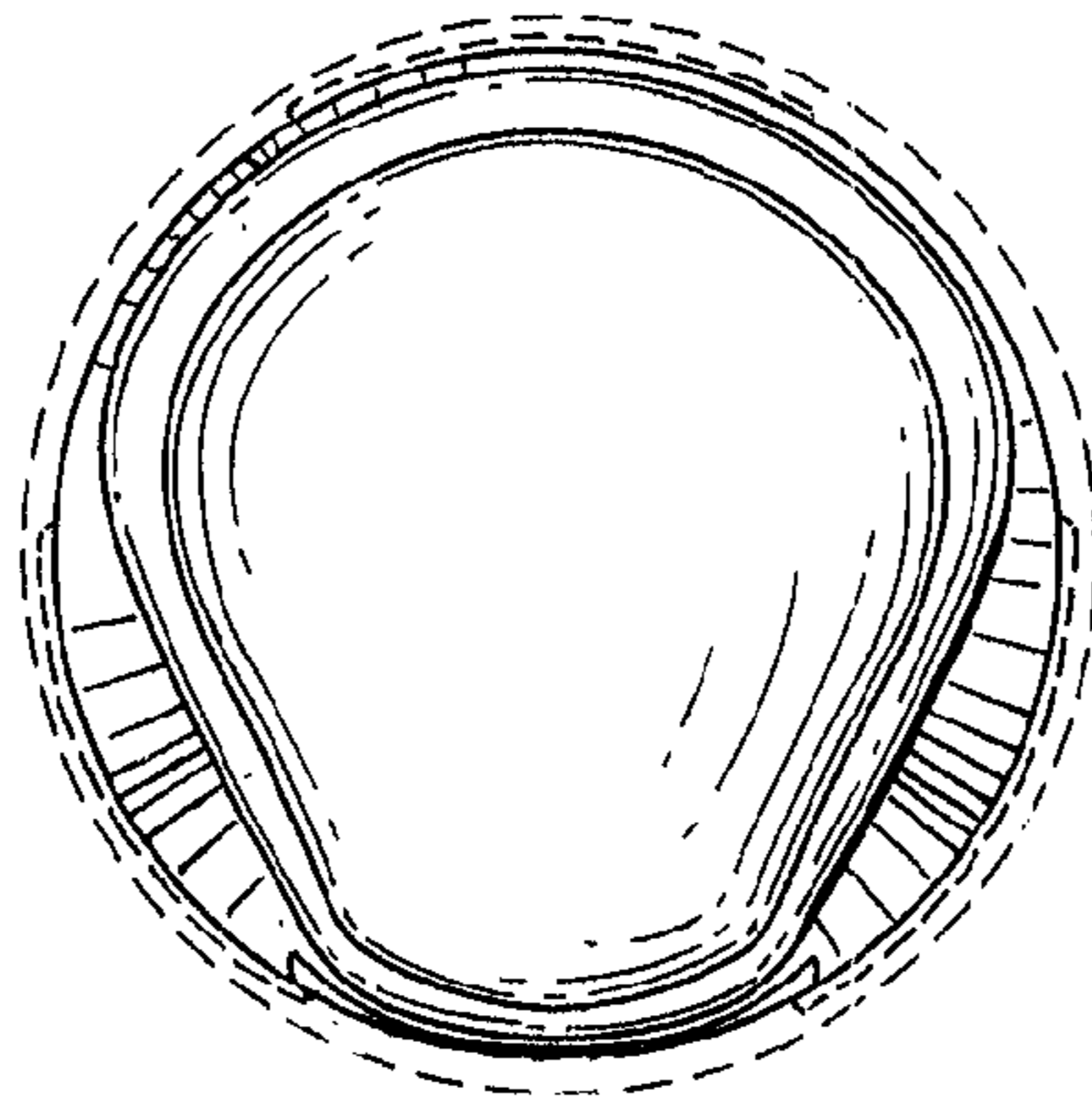


FIG. 16

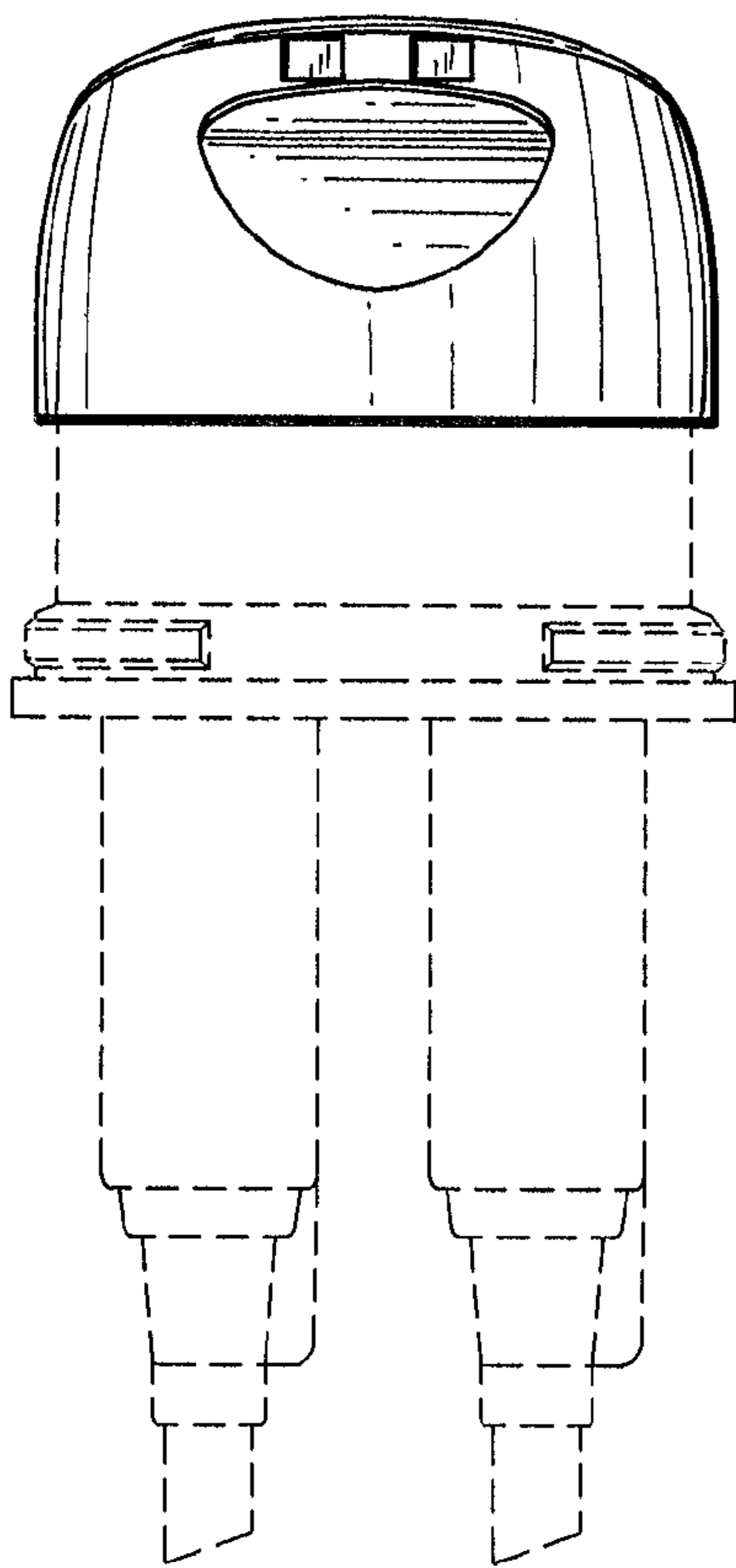


FIG. 17

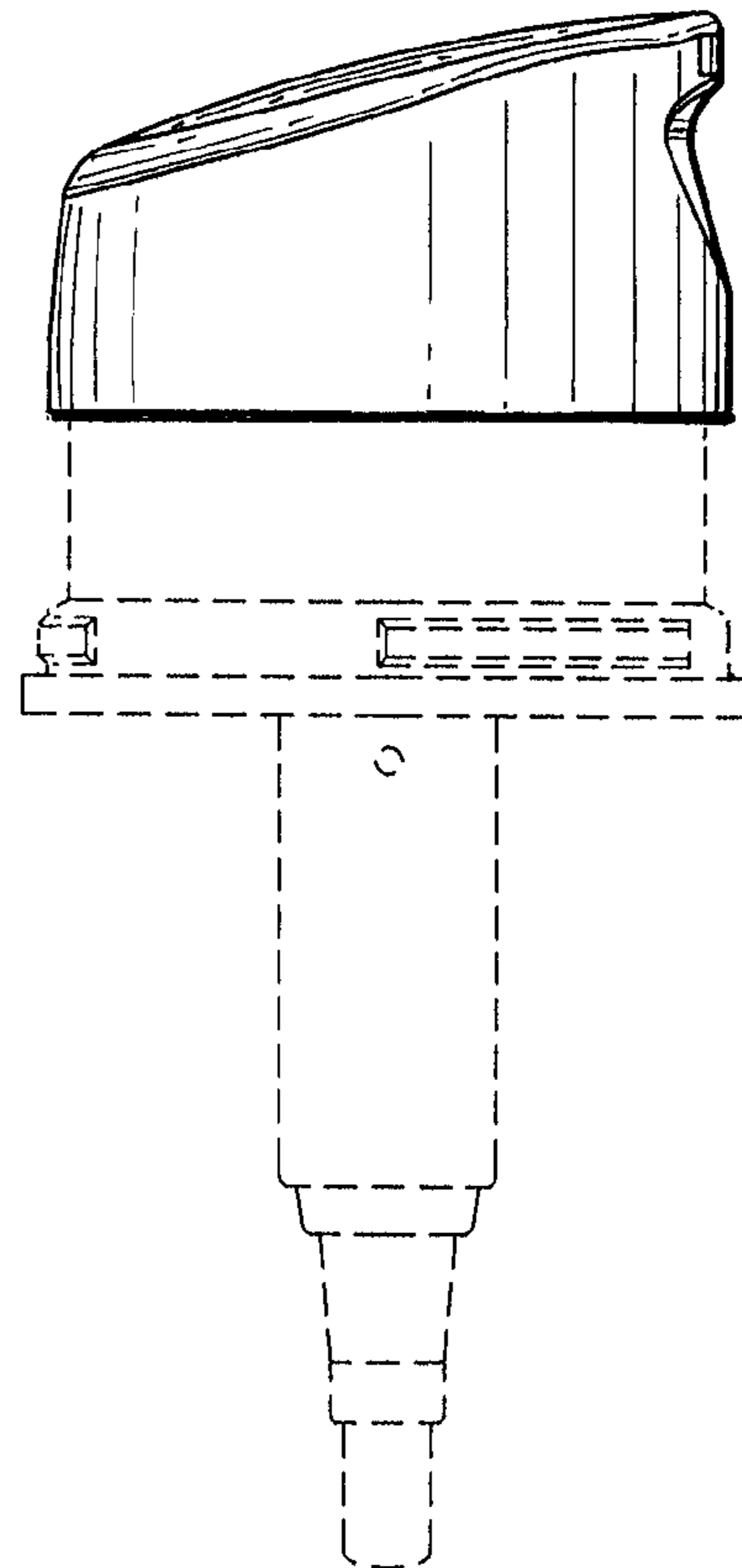


FIG. 18

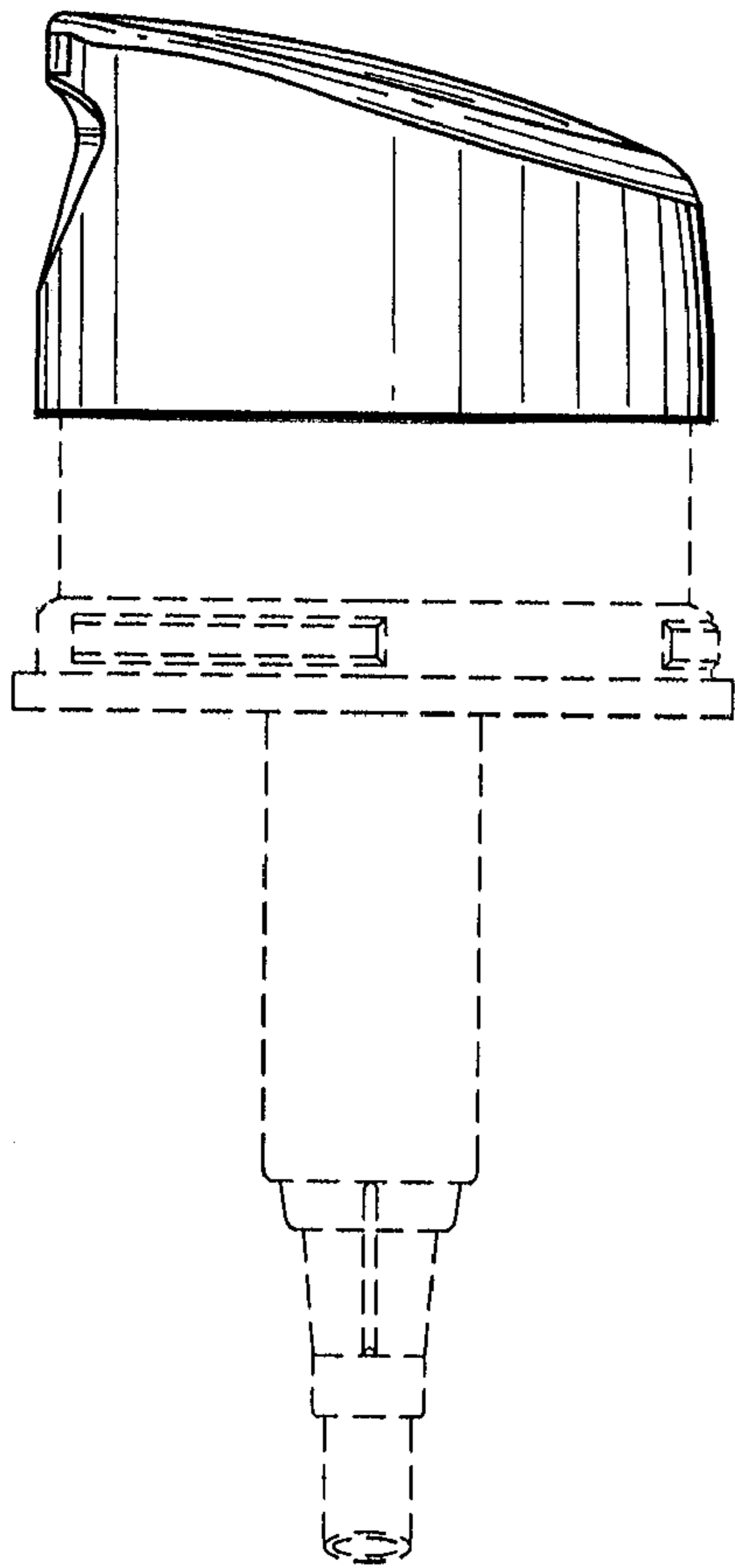


FIG. 19

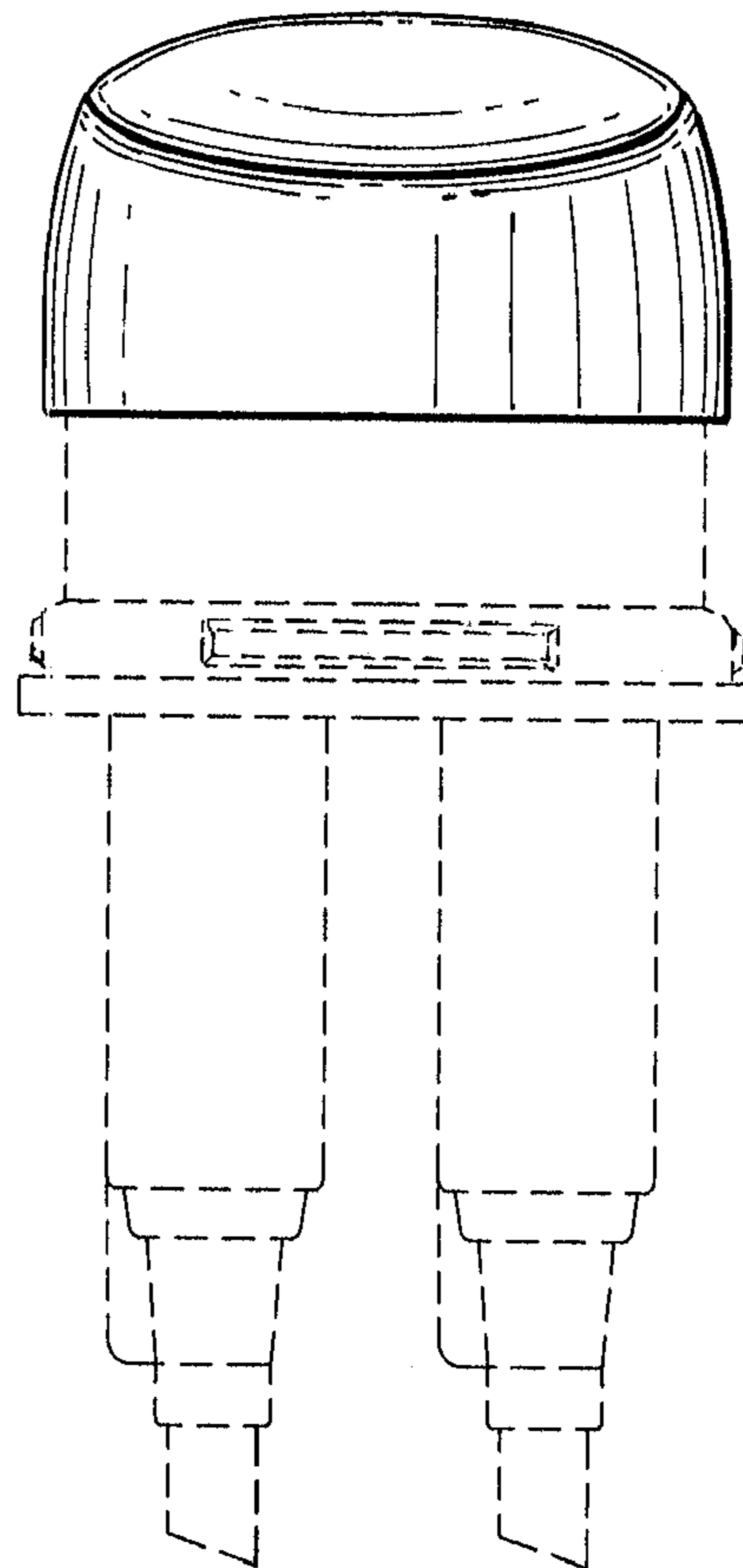


FIG. 20

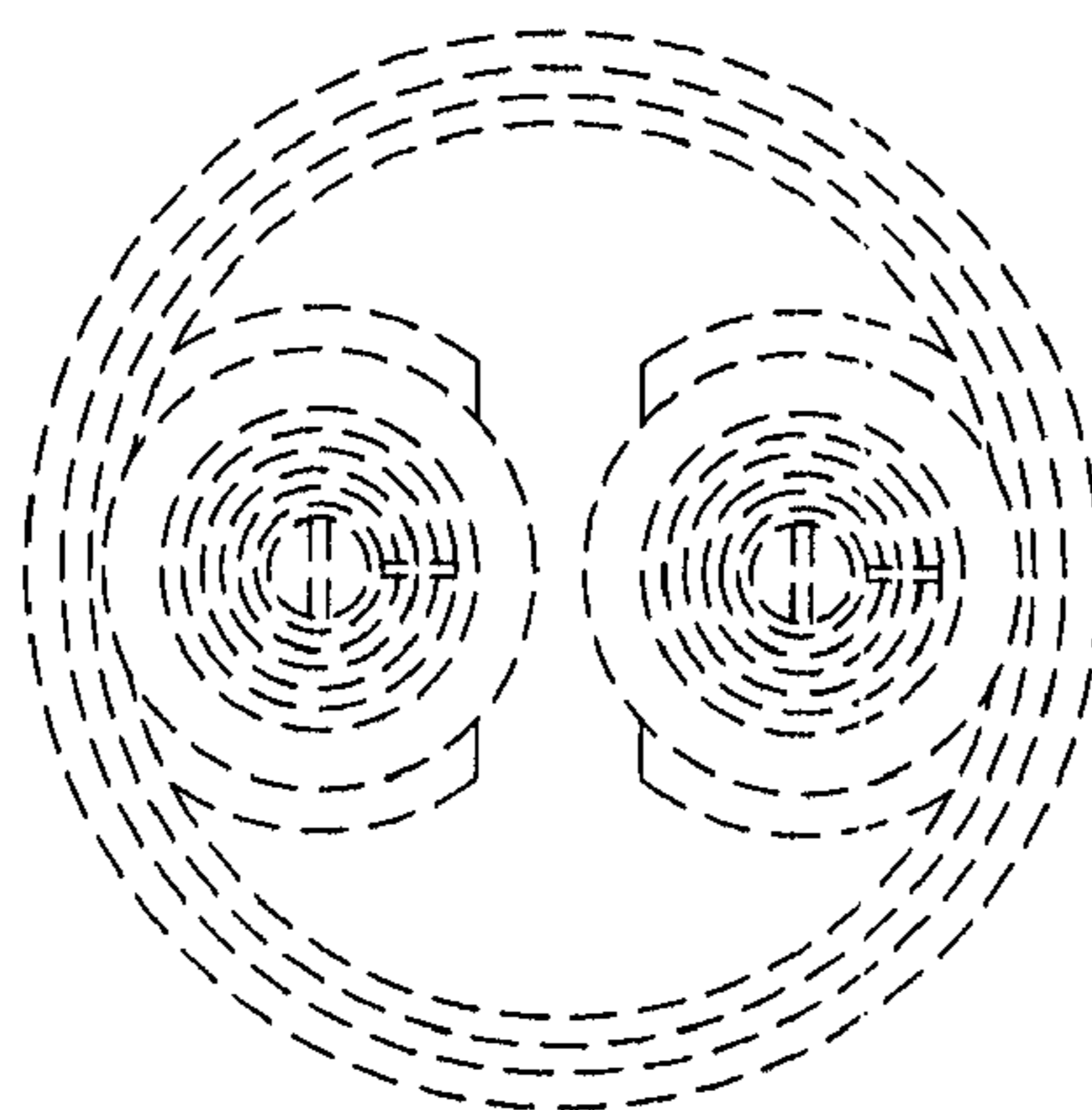


FIG. 21