



US00D575151S

(12) **United States Design Patent**
Smith et al.

(10) **Patent No.:** **US D575,151 S**
(45) **Date of Patent:** **** Aug. 19, 2008**

(54) **DISCHARGE DEVICE**

D526,563 S * 8/2006 Halfacre et al. D9/447
D545,123 S * 6/2007 Holub D7/398
D553,982 S * 10/2007 Erb D9/447

(75) Inventors: **Christopher Lawrence Smith**, Liberty Township, OH (US); **Joseph Craig Lester**, Liberty Township, OH (US); **Julius Austria Coronel**, Cincinnati, OH (US); **Kerry Lloyd Weaver**, Florence, KY (US)

* cited by examiner

Primary Examiner—Gary D. Watson
Assistant Examiner—Susan Bennett Hattan
(74) *Attorney, Agent, or Firm*—Julie A. McConihay; Ingrid N. Hackett; Kim William Zerby

(73) Assignee: **The Procter and Gamble Company**, Cincinnati, OH (US)

(57) **CLAIM**

(**) Term: **14 Years**

The ornamental design for a discharge device, as shown and described.

(21) Appl. No.: **29/285,256**

(22) Filed: **Mar. 26, 2007**

DESCRIPTION

(51) **LOC (8) Cl.** **09-07**

FIG. 1 is a perspective view of a discharge device embodying our new design;

(52) **U.S. Cl.** **D9/447**

FIG. 2 is a front view thereof;

(58) **Field of Classification Search** D9/697,
D9/695, 574, 529, 453, 450, 449, 447, 446,
D9/443, 442, 438, 434; 222/571, 567, 566,
222/545, 544, 484, 481.5, 480, 633, 632,
222/631, 546, 145.1–145.7, 144.7; 220/810;
215/235, 556; D7/401.1, 398, 397, 313,
D7/308, 307

FIG. 3 is a back view thereof;

FIG. 4 is a left view thereof;

FIG. 5 is a right view thereof;

FIG. 6 is a top view thereof; and

FIG. 7 is a bottom view thereof; and,

FIG. 8 is a cross-section view along line 8—8 of the discharge device of FIG. 4.

See application file for complete search history.

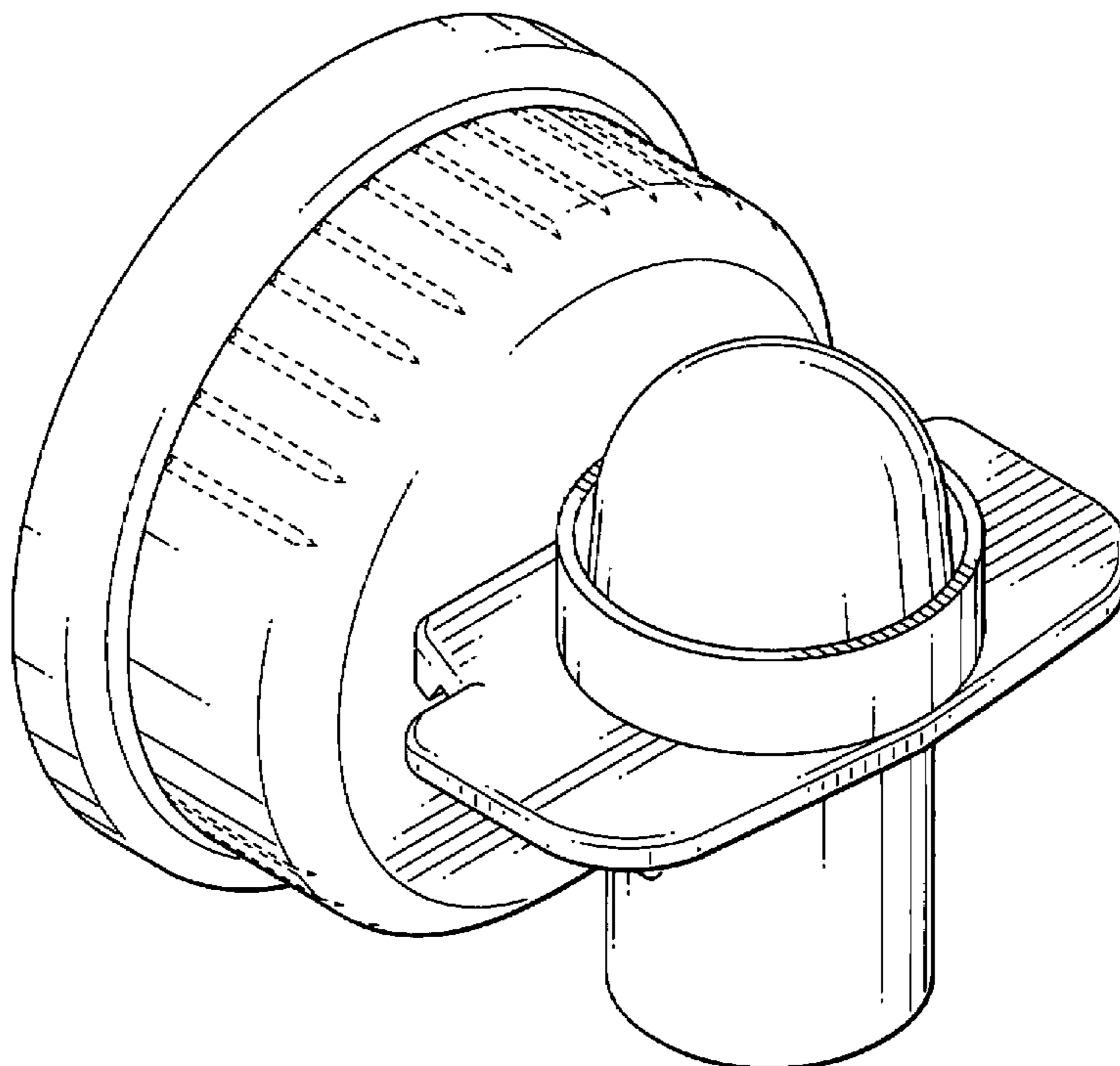
The broken lines shown in the drawings are for illustrative purposes only and form no part of the claimed design.

(56) **References Cited**

U.S. PATENT DOCUMENTS

D378,055 S * 2/1997 Waldon et al. D7/313
6,896,158 B2 * 5/2005 Leray et al. 222/145.1

1 Claim, 5 Drawing Sheets



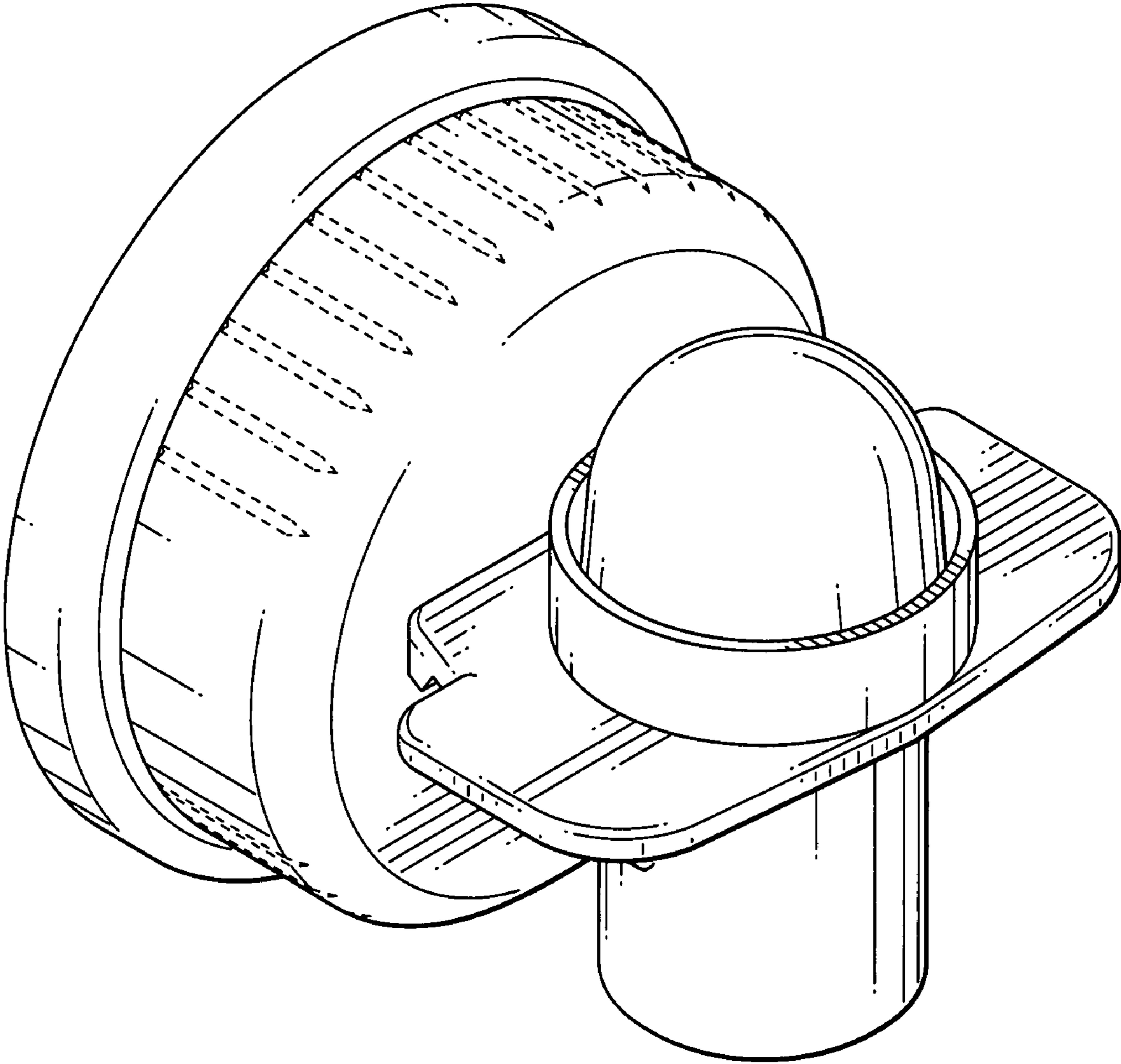


FIG. 1

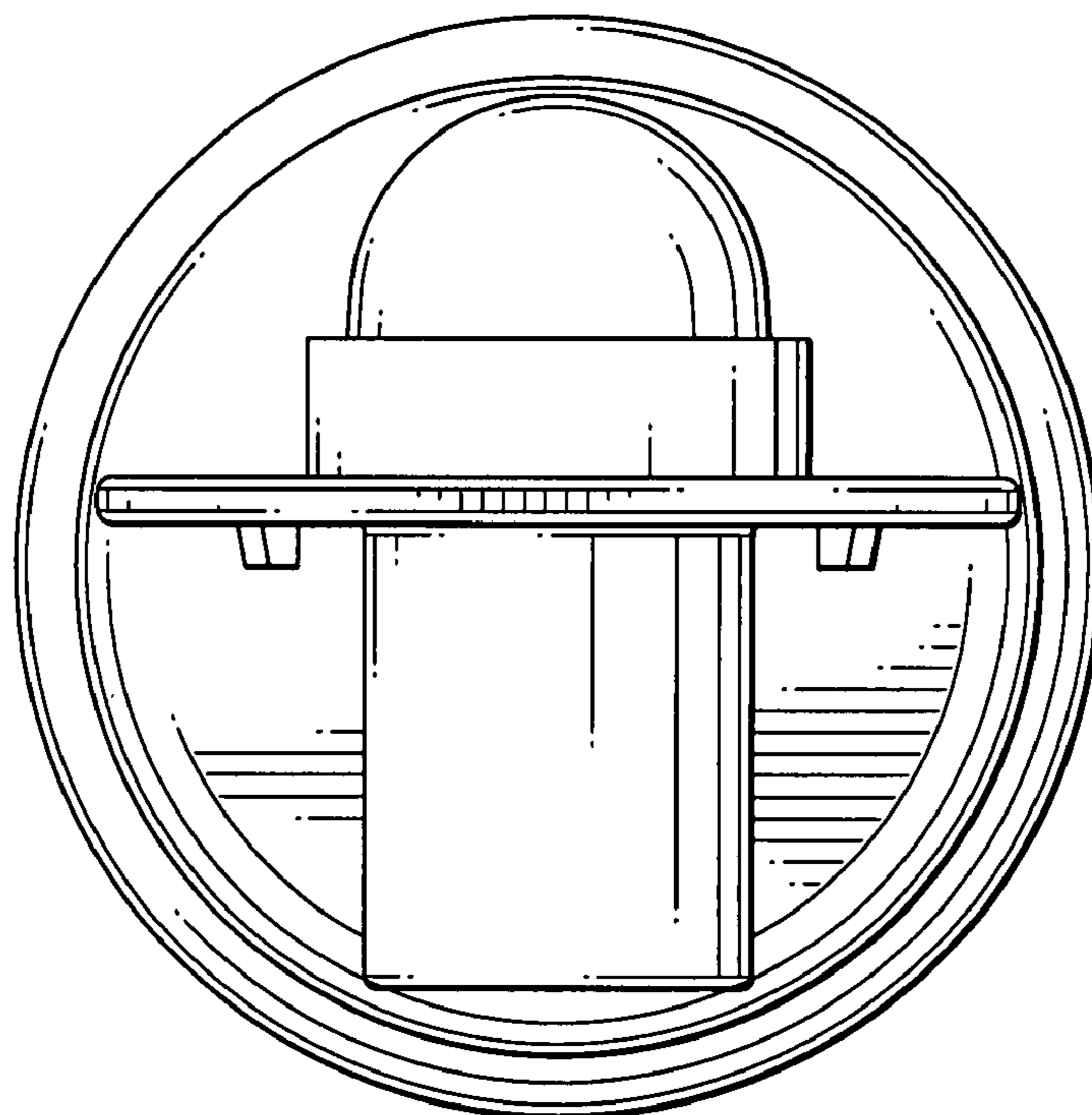


FIG. 2

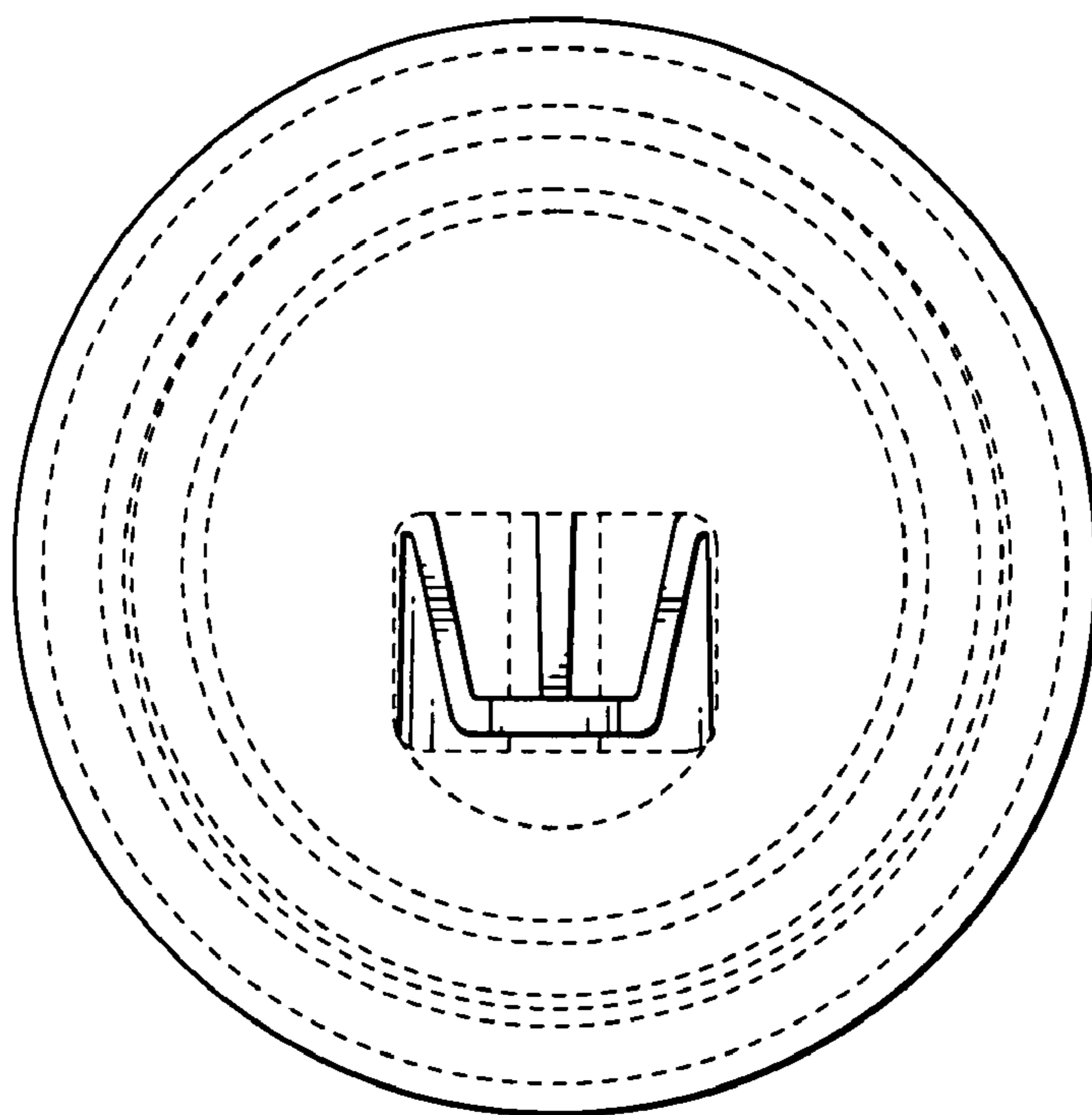


FIG. 3

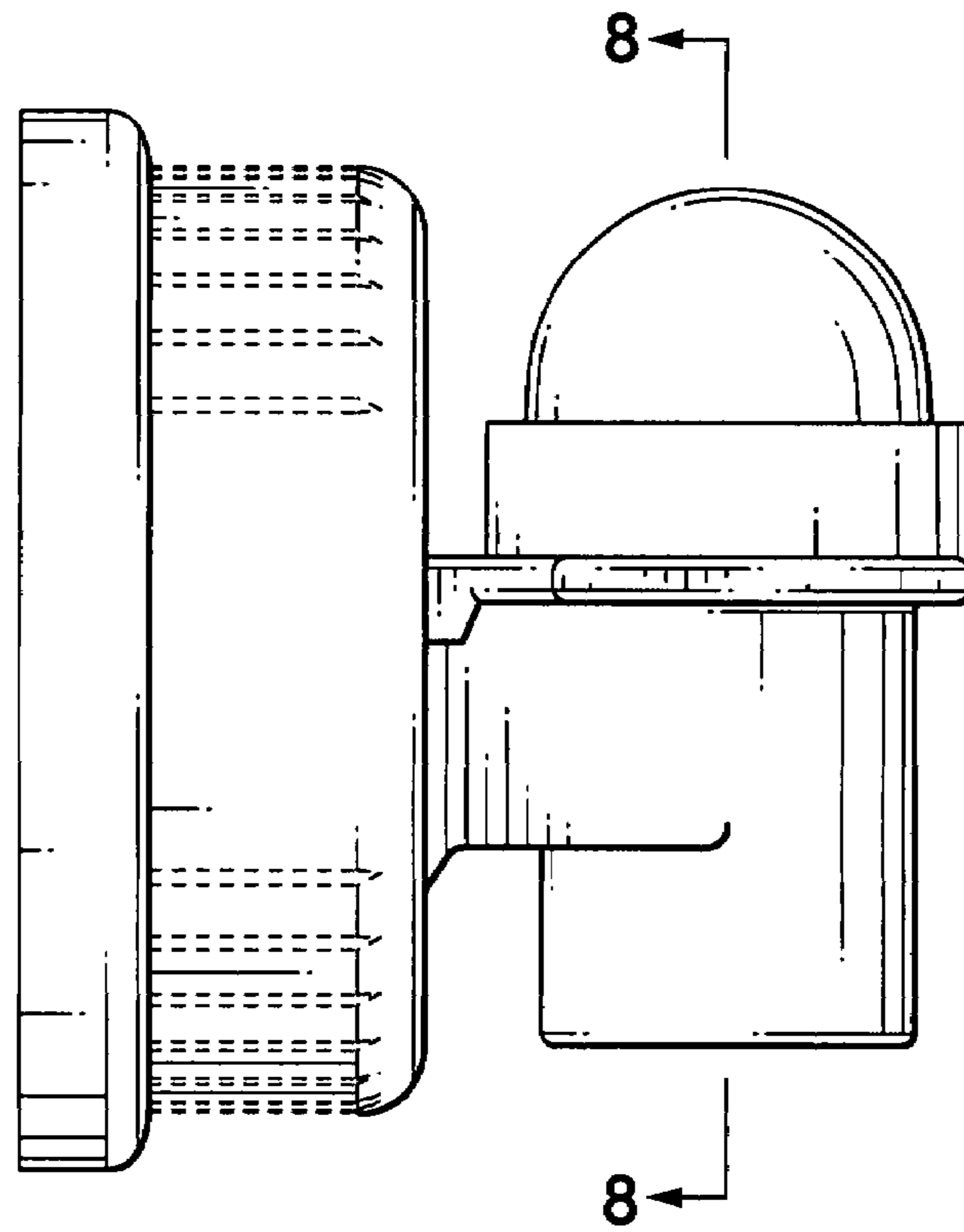


FIG. 4

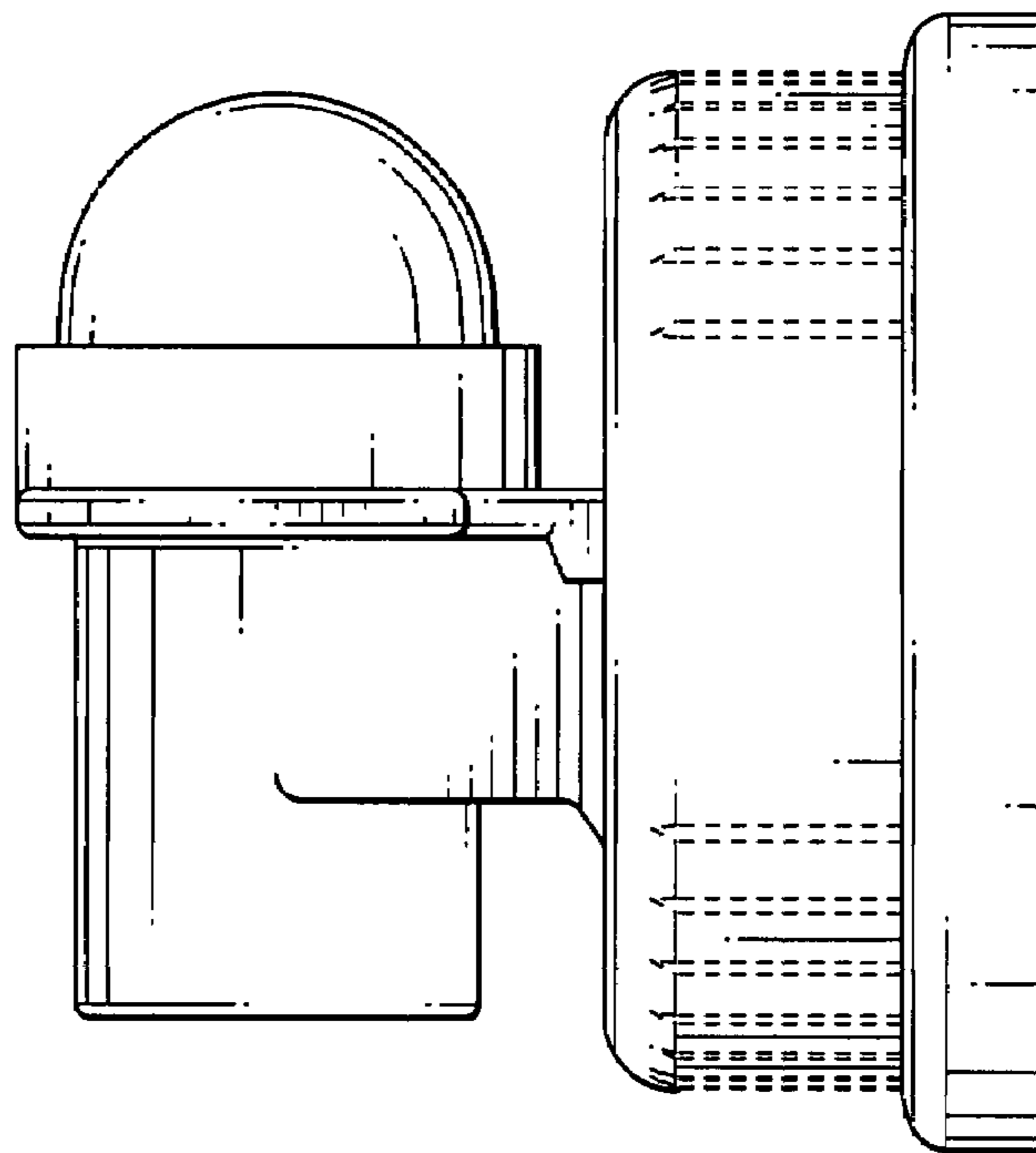


FIG. 5

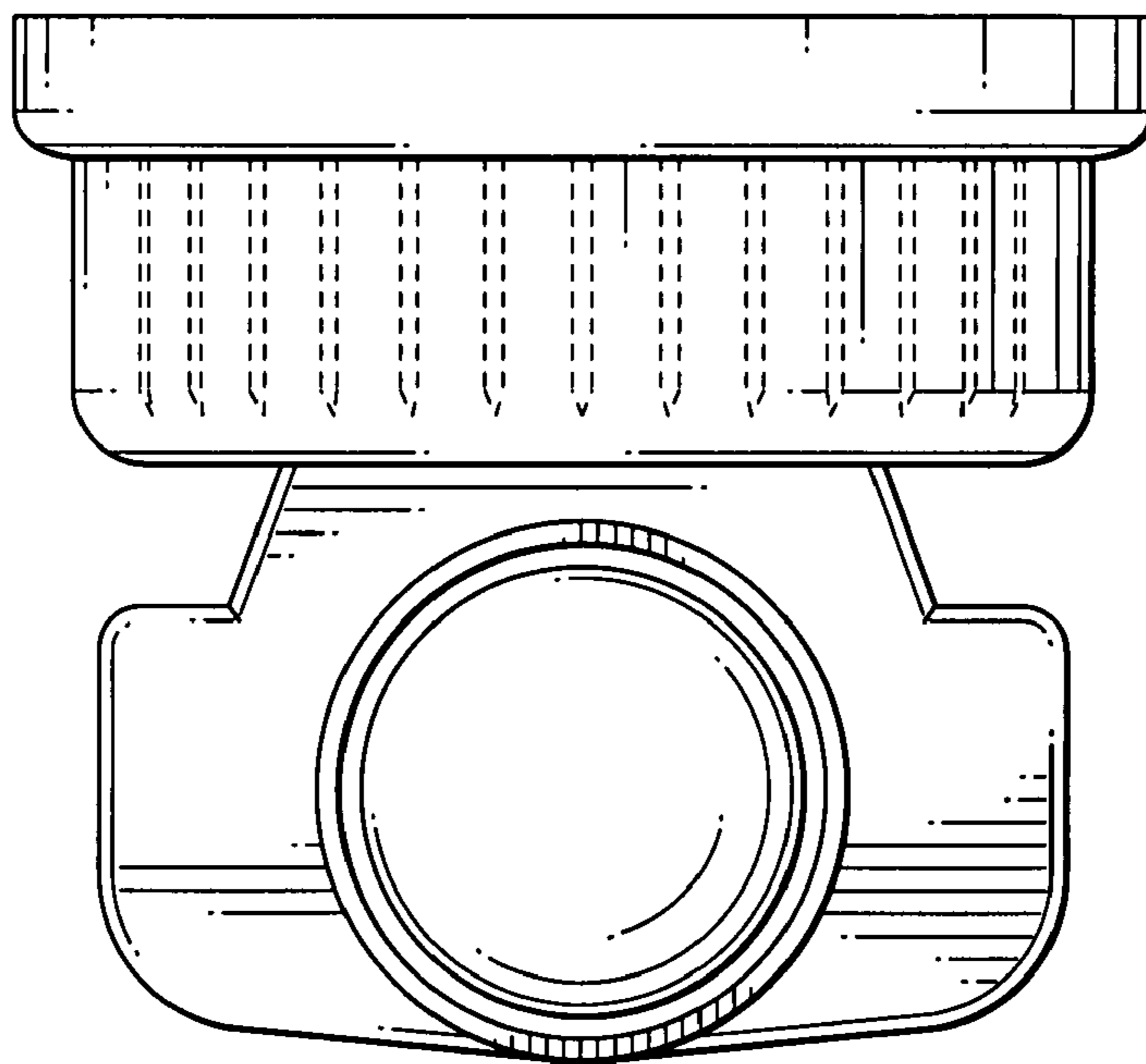


FIG. 6

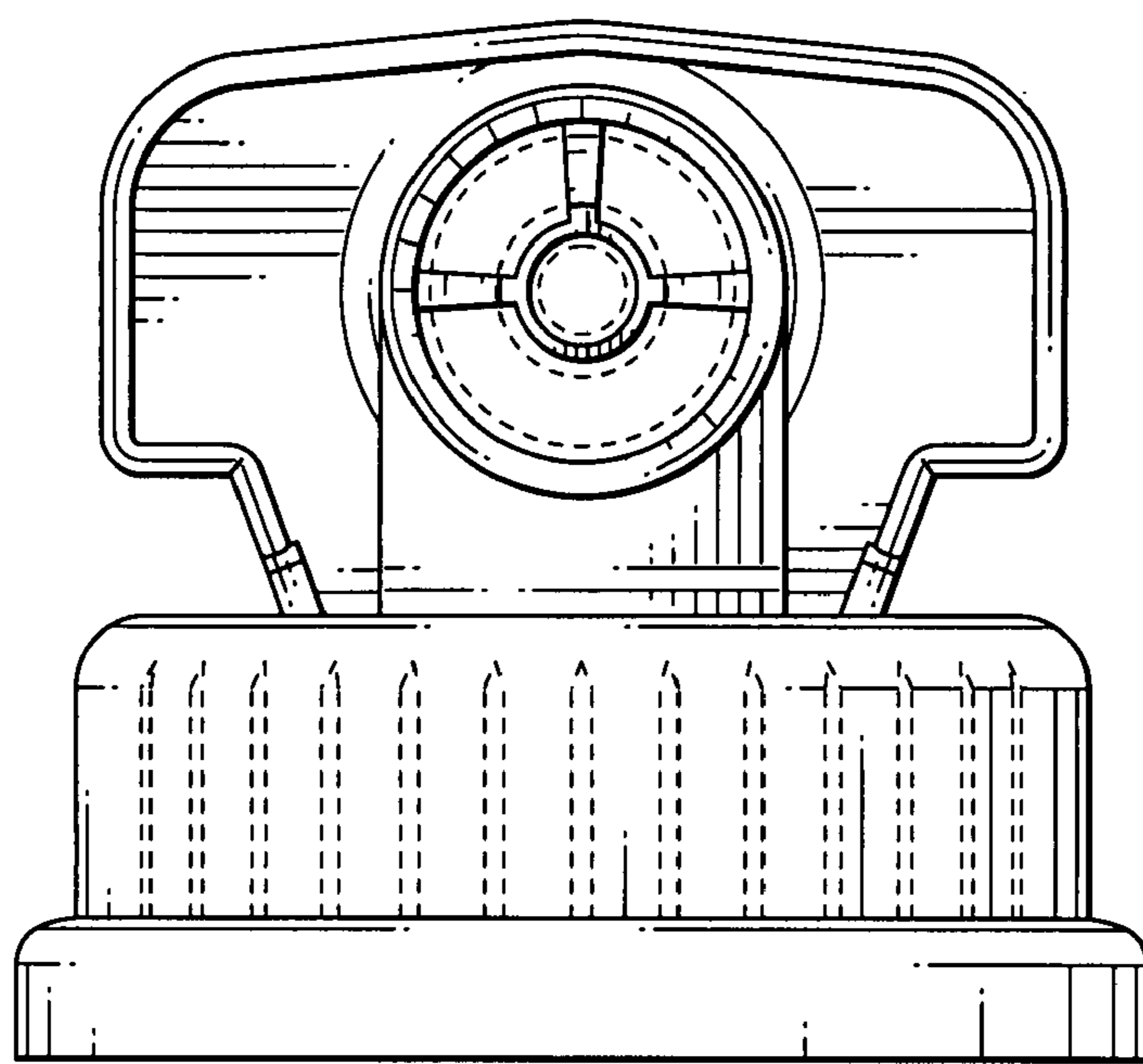


FIG. 7

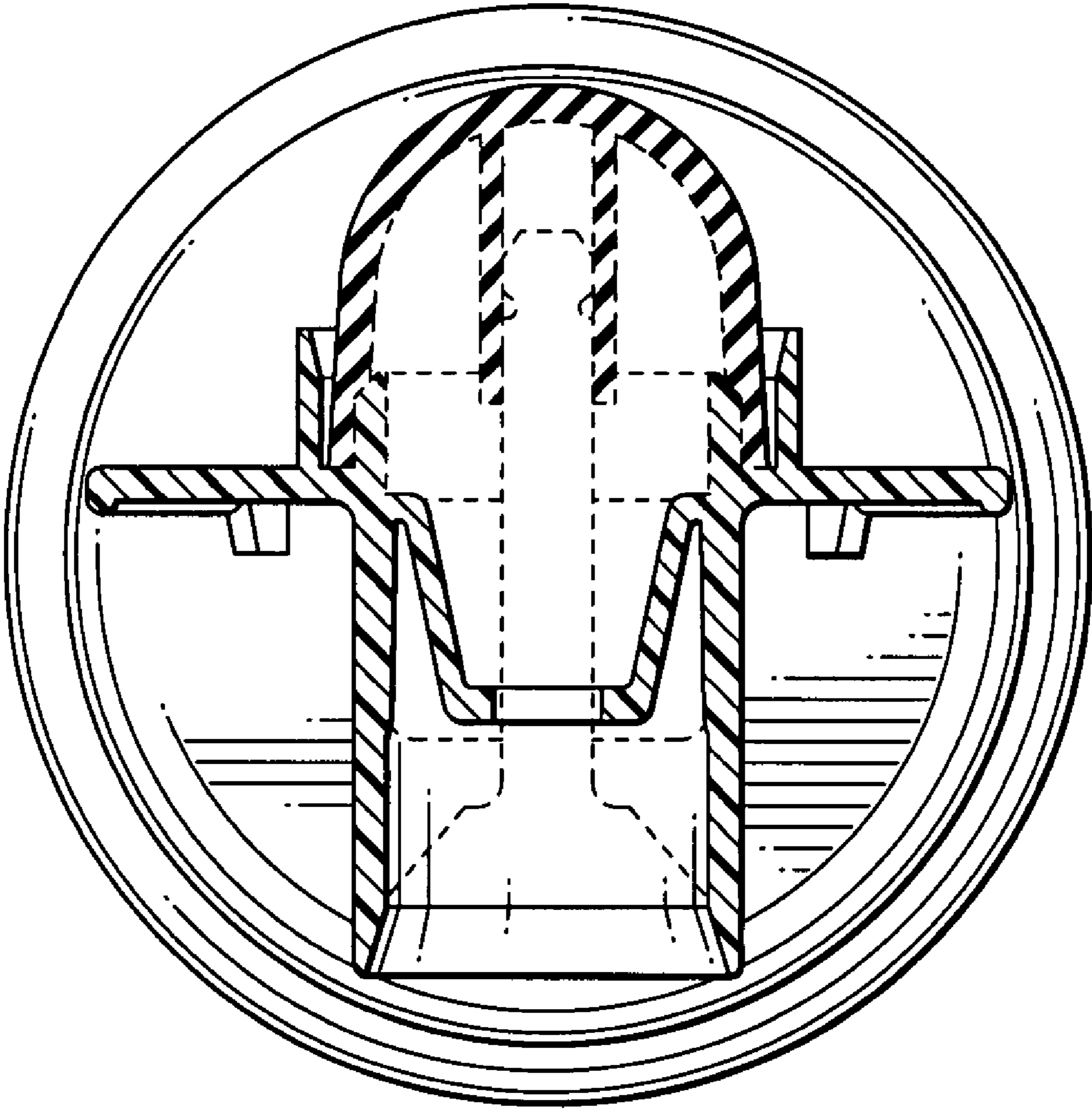


FIG. 8