



US00D575148S

(12) **United States Design Patent**
Sagel

(10) **Patent No.:** **US D575,148 S**
(45) **Date of Patent:** **** Aug. 19, 2008**

(54) **FOOD CONTAINER ARRAY**

D273,842 S 5/1984 Jeannin
(Continued)

(75) Inventor: **Joseph Paul Sagel**, Plano, TX (US)

(73) Assignee: **Frito-Lay North America**, Plano, TX (US)

(**) Term: **14 Years**

(21) Appl. No.: **29/280,694**

(22) Filed: **Jun. 5, 2007**

(51) **LOC (8) Cl.** **09-03**

(52) **U.S. Cl.** **D9/425; D9/761**

(58) **Field of Classification Search** D9/416,
D9/424, 425, 428, 429, 430, 432, 737, 756,
D9/759, 760, 761; D7/602, 608, 614; 229/400,
229/404, 406, 407, 902; 426/108, 115, 119;
206/503, 508, 518, 519, 557, 558, 563, 524.8,
206/223, 541, 469, 459.5, 820; 220/23.4,
220/23.8, 23.83, 669, 674, 675, 556, 557,
220/659, 359.1, 359.2, 574, 359.4, 608, 573.4,
220/623

See application file for complete search history.

(56) **References Cited**

U.S. PATENT DOCUMENTS

2,657,998	A *	11/1953	Peters	426/119
3,321,123	A *	5/1967	Collie	229/123.2
D215,824	S	11/1969	Vanderhyde	
D216,870	S	3/1970	Gregor	
3,501,080	A *	3/1970	Govatsos	229/120.07
D219,959	S	2/1971	Anderson	
D220,031	S	3/1971	Donovan	
D227,083	S *	6/1973	Anderson et al.	D9/416
D234,574	S	3/1975	Schimkat	
3,976,196	A *	8/1976	Mueller	206/526
D241,622	S	9/1976	Smith	
D245,896	S	9/1977	Philippon	
4,104,349	A	8/1978	Hillgenberg	
D263,681	S	4/1982	Parr	
D264,244	S	5/1982	Olsen	
D265,462	S	7/1982	Andrulionis et al.	
D265,798	S	8/1982	Ossola	

OTHER PUBLICATIONS

Henderson, et al., U.S. Appl. No. 11/358,567, filed Feb. 20, 2006, entitled "Food Container."

Primary Examiner—Stella M. Reid

Assistant Examiner—Mark A Goodwin

(74) *Attorney, Agent, or Firm*—Colin P. Cahoon; Carstens & Cahoon LLP

(57) **CLAIM**

The ornamental design for a food container array, as shown and described.

DESCRIPTION

FIG. 1 is a top perspective view of the first and second embodiments of the food container array of the present invention;

FIG. 2 is a left elevation view of the first and second embodiments of the food container array of the present invention, with the right elevation view a mirror image of the left elevation view;

FIG. 3 is a front elevation view of the first and second embodiments of the food container array of the present invention, with the rear elevation view a mirror image of the front elevation view;

FIG. 4 is a top elevation view of the first and second embodiments of the food container array of the present invention;

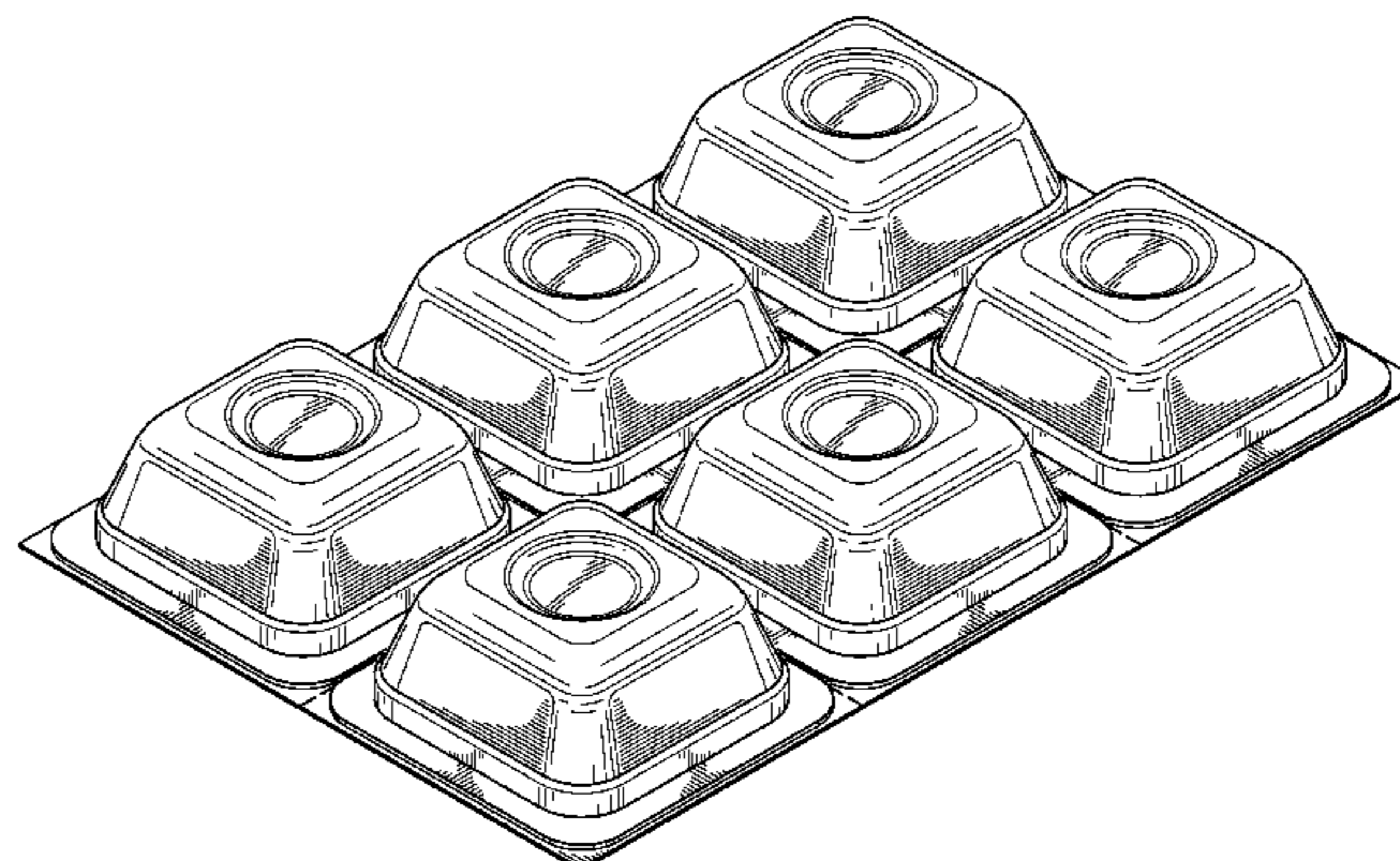
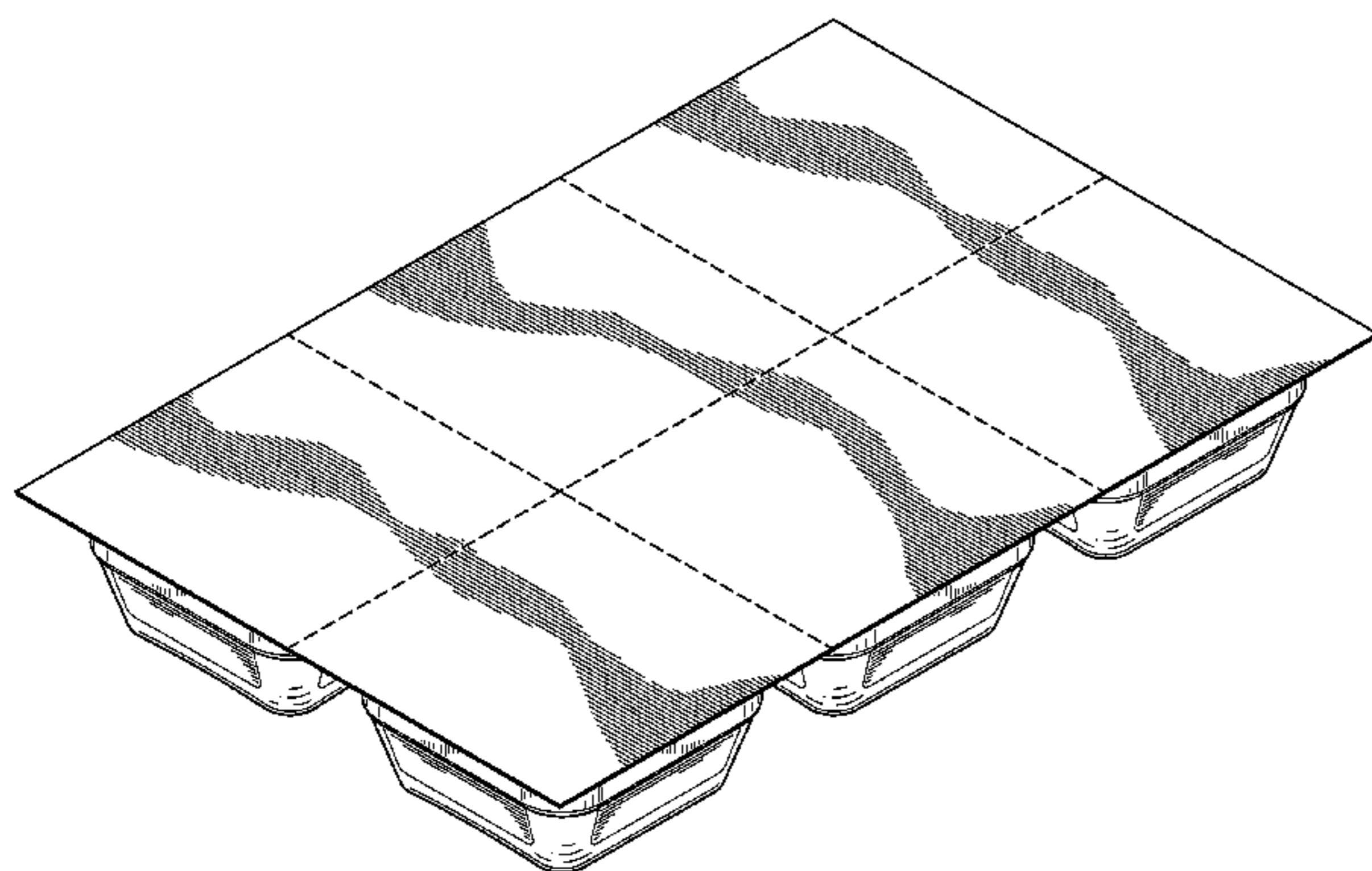
FIG. 5 is a bottom perspective view of the first embodiment of the food container array of the present invention; and,

FIG. 6 is a bottom perspective view of the second embodiment of the food container array of the present invention.

With respect to the first embodiment, the broken line circles at the base of each container as shown in FIG. 5 represent the bounds of the claimed design, and form no part of the claimed design.

The broken lines shown in FIGS. 1, 4, 5, and 6 represent perforations.

1 Claim, 5 Drawing Sheets



US D575,148 S

Page 2

U.S. PATENT DOCUMENTS

4,462,494 A	7/1984	Cunningham					
D289,499 S	4/1987	Drummond et al.					
D289,854 S *	5/1987	Lane et al.	D9/760			
4,799,590 A	1/1989	Furman					
4,875,620 A *	10/1989	Lane, Sr.	229/404			
4,990,562 A	2/1991	Chou et al.					
D317,567 S *	6/1991	Lane, Sr.	D9/425			
D317,568 S *	6/1991	Lane, Sr.	D9/425			
D317,569 S *	6/1991	Lane, Sr.	D9/425			
D339,522 S *	9/1993	Zoss	D9/737			
5,277,920 A	1/1994	Weaver, Jr.					
5,409,127 A	4/1995	Stratford et al.					
5,527,570 A	6/1996	Addeo et al.					
5,543,104 A	8/1996	Stratford et al.					
5,695,798 A *	12/1997	Rozzano	426/115			
D417,785 S *	12/1999	Daniels	D3/313			
6,042,906 A	3/2000	Itoh et al.					
6,086,931 A *	7/2000	Whiteford	426/118			
6,274,246 B1	8/2001	Eggers et al.					
D452,152 S *	12/2001	Meeker et al.	D9/429			
D453,108 S *	1/2002	Gasco	D9/429			
6,371,324 B1	4/2002	Torniainen et al.					
6,523,686 B1 *	2/2003	Bae	206/315.9			
6,557,319 B1	5/2003	Nolfi, Jr.					
6,699,543 B1	3/2004	Agarwal					
6,843,037 B2	1/2005	Nolfi, Jr.					
6,942,097 B1	9/2005	Stremple et al.					
D510,263 S *	10/2005	Isono et al.	D9/425			
D512,631 S *	12/2005	Lhoste et al.	D9/428			
7,093,816 B2 *	8/2006	Lacan et al.	249/61			
7,104,416 B2 *	9/2006	Gasco et al.	220/608			
D535,195 S *	1/2007	Schwab	D9/756			
D542,649 S	5/2007	Sagel et al.					
D543,452 S	5/2007	Gehring et al.					
D543,843 S	6/2007	Gehring et al.					
D548,069 S *	8/2007	Sagel et al.	D9/425			
2003/0178339 A1 *	9/2003	De Marco	206/820			

* cited by examiner

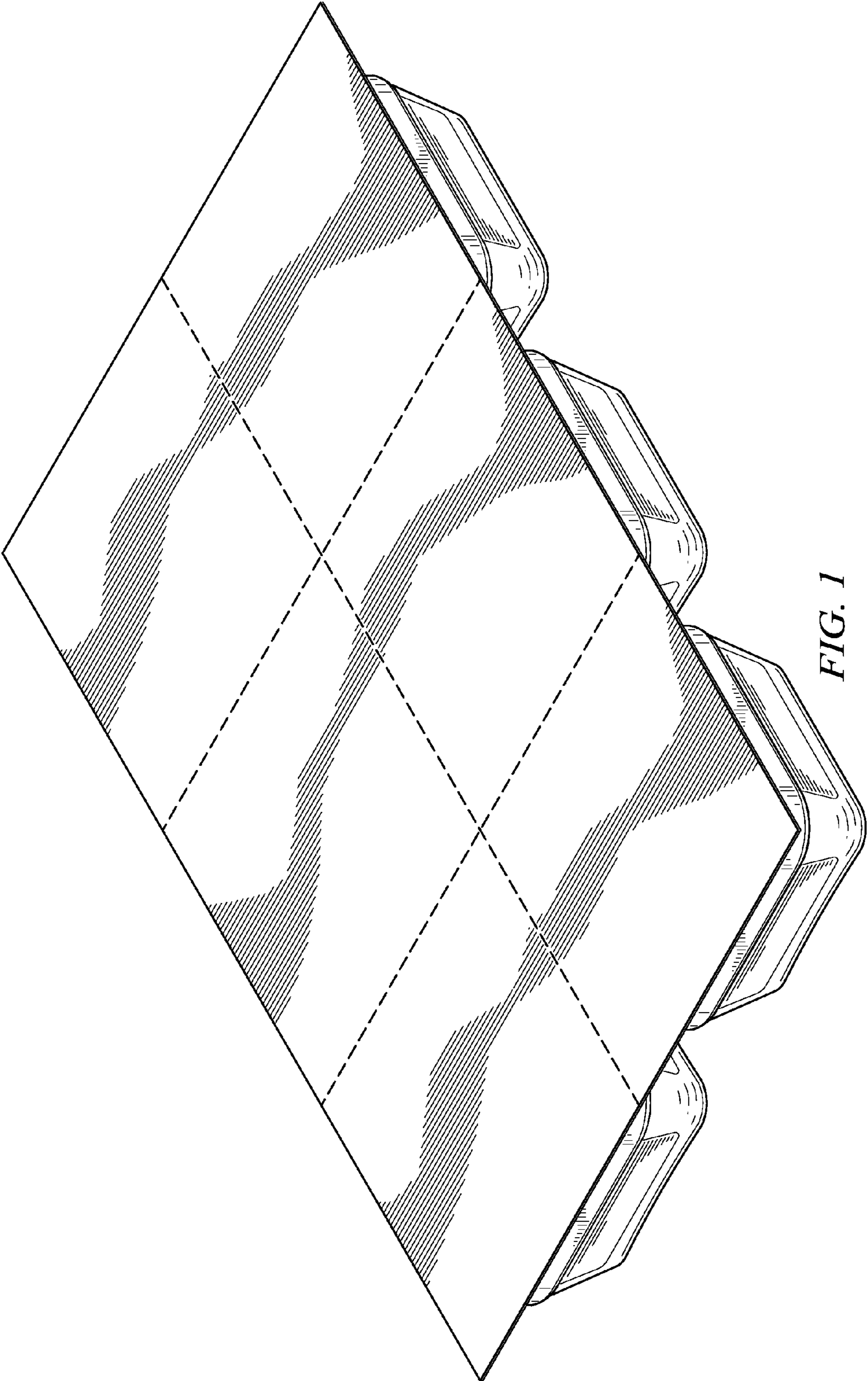


FIG. 1

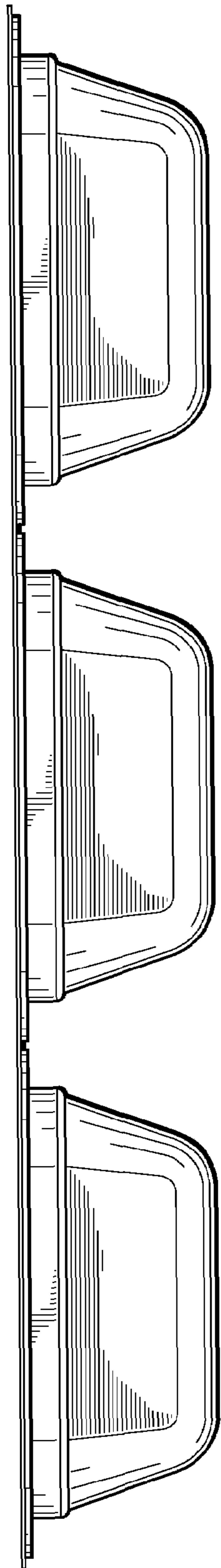


FIG. 2

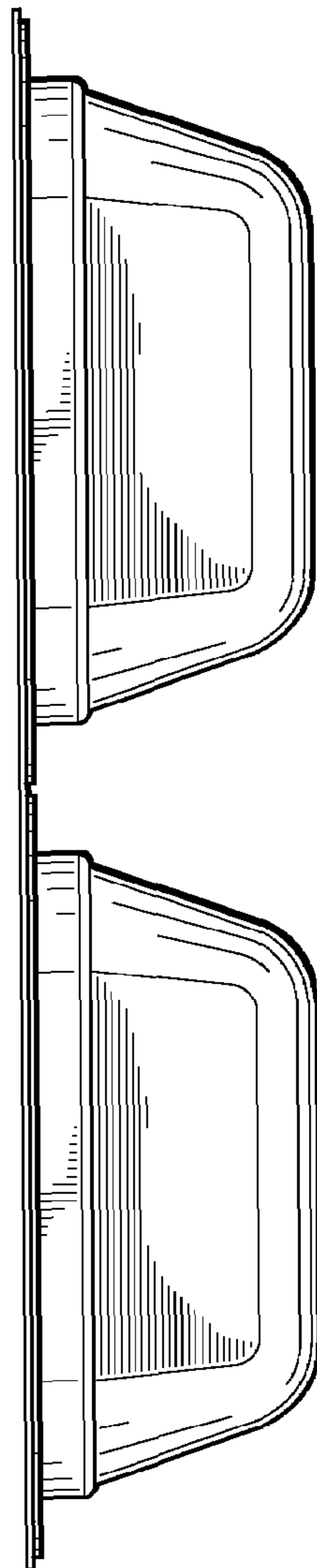


FIG. 3

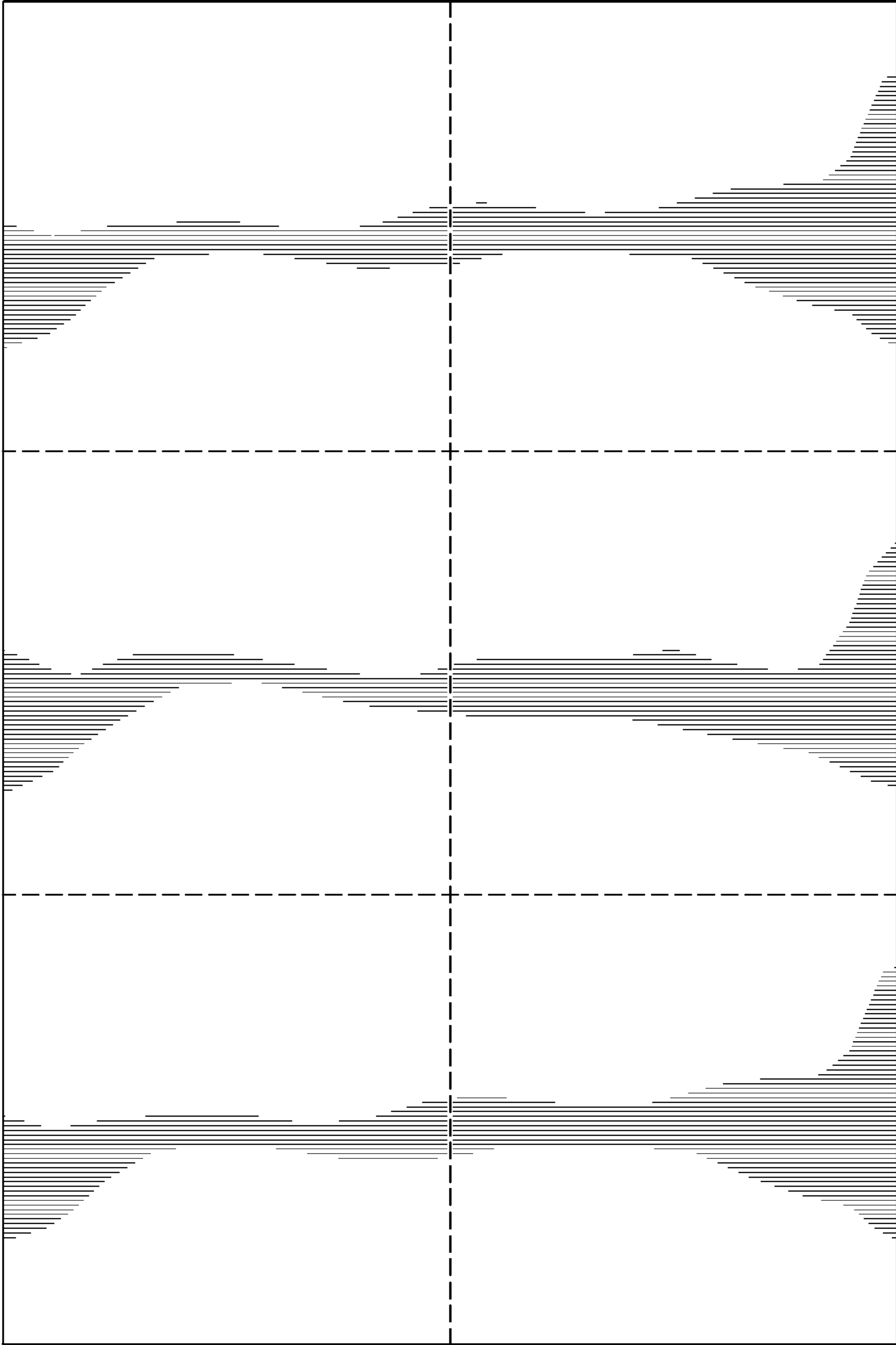


FIG. 4

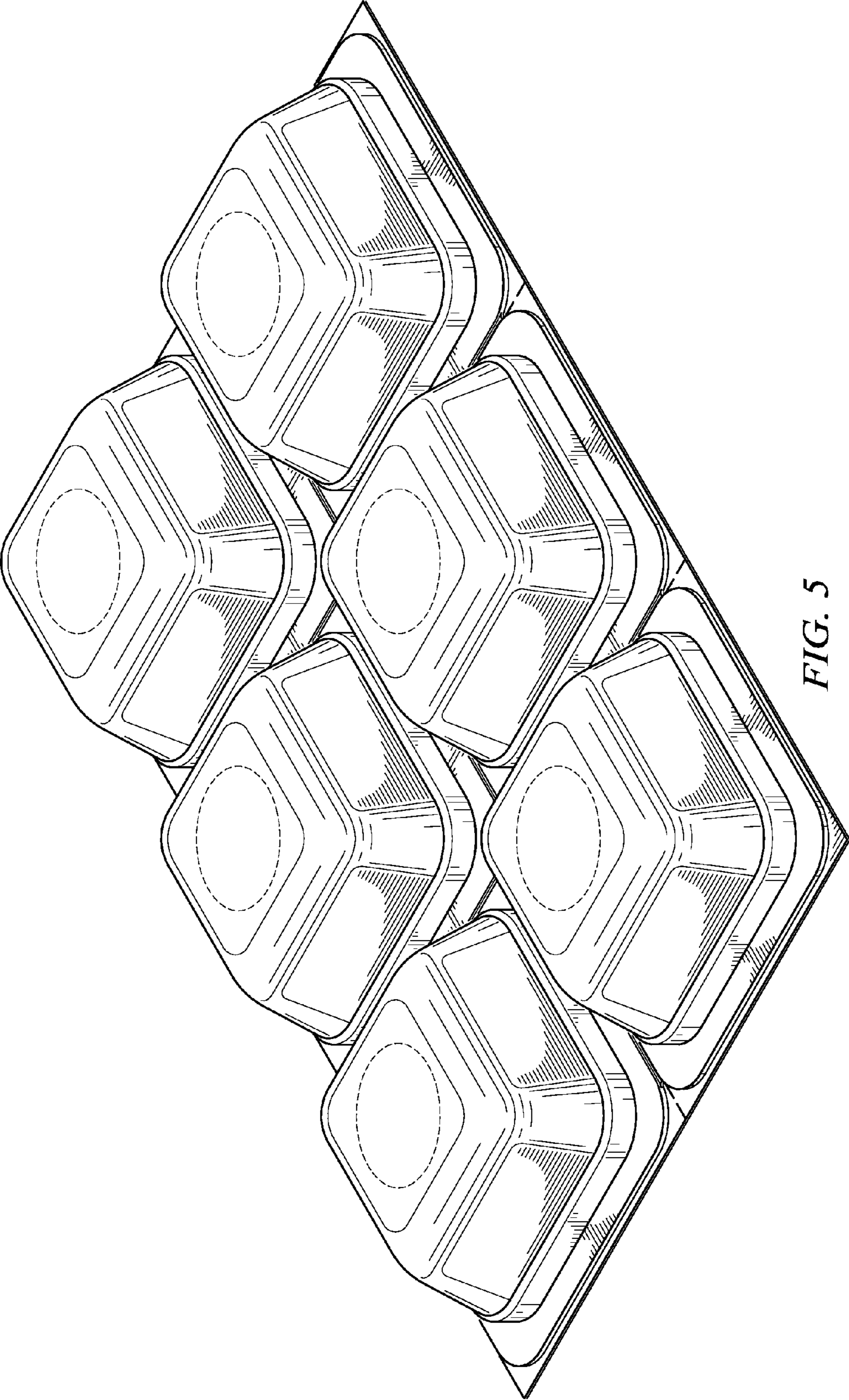


FIG. 5

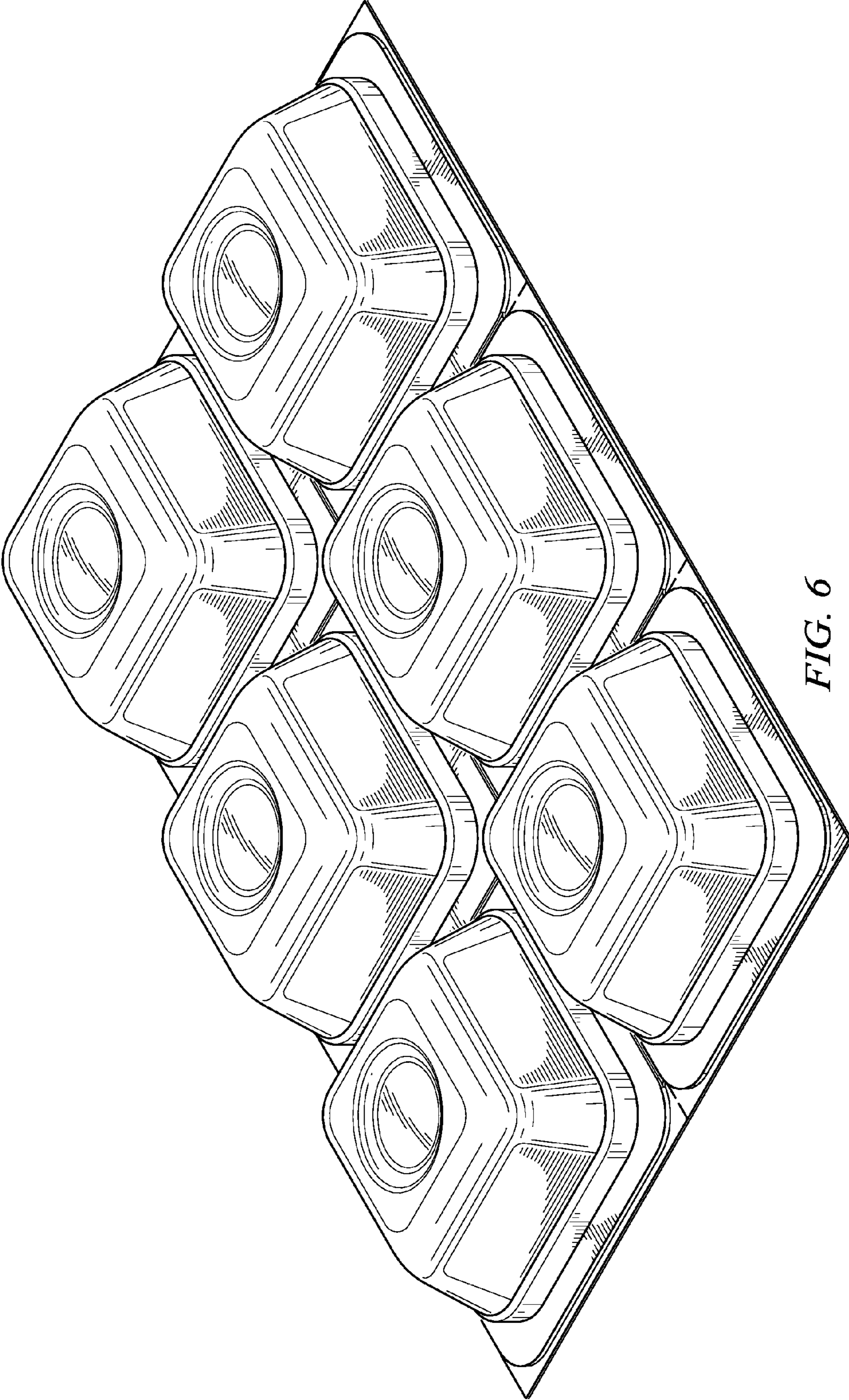


FIG. 6