

US00D575147S

(12) **United States Design Patent**  
**Ruybal**

(10) **Patent No.:** **US D575,147 S**

(45) **Date of Patent:** **\*\* Aug. 19, 2008**

(54) **SHOWCASE STORAGE CONTAINER FOR COLLECTABLE ITEMS**

(76) Inventor: **Tim Ruybal**, 6635 E. Villanova Pl., Denver, CO (US) 80224

(\*\*) Term: **14 Years**

(21) Appl. No.: **29/295,296**

(22) Filed: **Sep. 25, 2007**

(51) **LOC (8) Cl.** ..... **09-03**

(52) **U.S. Cl.** ..... **D9/418**

(58) **Field of Classification Search** ..... D9/414-416, D9/418, 420, 424-432, 433, 443, 527-530, D9/704, 730-734, 751-757; D7/354, 360, D7/505, 540-545, 554, 565-567, 570, 574, D7/584-586, 590, 604, 629, 667; D30/123, D30/129-133; 426/115, 122, 394; 206/162, 206/170, 216, 469, 471, 497, 508, 536, 557, 206/804, 815; 220/4.21-4.22, 266, 350, 220/470, 471, 495.01, 557, 574, 618, 793; 229/117.14, 117.18, 123.1, 125.35, 220, 229/406, 362.4; D3/203.2, 304, 314, 294, D3/323; 221/250, 260, 267, 281, 299, 807  
See application file for complete search history.

(56) **References Cited**

**U.S. PATENT DOCUMENTS**

D55,496	S	*	6/1920	White	.....	D7/590
D122,774	S	*	10/1940	Frederick	.....	D7/553.4
3,278,109	A	*	10/1966	Salway	.....	206/484
3,685,717	A	*	8/1972	Seiferth et al.	.....	426/108
D289,974	S	*	5/1987	Hamilton et al.	.....	D9/754
D313,936	S	*	1/1991	Ferrero	.....	D9/418
D320,552	S	*	10/1991	Chanel	.....	D9/757
D334,535	S	*	4/1993	Piccione et al.	.....	D9/415
D351,787	S	*	10/1994	Hansen	.....	D9/751
D381,515	S	*	7/1997	Haynes	.....	D3/313
D433,939	S	*	11/2000	Humphrey	.....	D9/418
D503,883	S	*	4/2005	Cox	.....	D9/418
D560,490	S	*	1/2008	Kirk et al.	.....	D9/416

\* cited by examiner

*Primary Examiner*—Robert M. Spear

*Assistant Examiner*—Susan E Krakower

(74) *Attorney, Agent, or Firm*—Lee G. Meyer, Esq.; Meyer & Associates, LLC

(57) **CLAIM**

The design for a showcase storage container for collectible items, as shown and described.

**DESCRIPTION**

The claimed showcase storage container for collectible items is used as a showcase and storage container for collectible coins.

FIG. 1 is a perspective view of the showcase storage container for collectible items showing my new design.

FIG. 2 is a top view of the showcase storage container for collectible items.

FIG. 3 is a bottom view of the showcase storage container for collectible items.

FIG. 4 is a side view of the showcase storage container for collectible items.

FIG. 5 is a front view of the showcase storage container for collectible items.

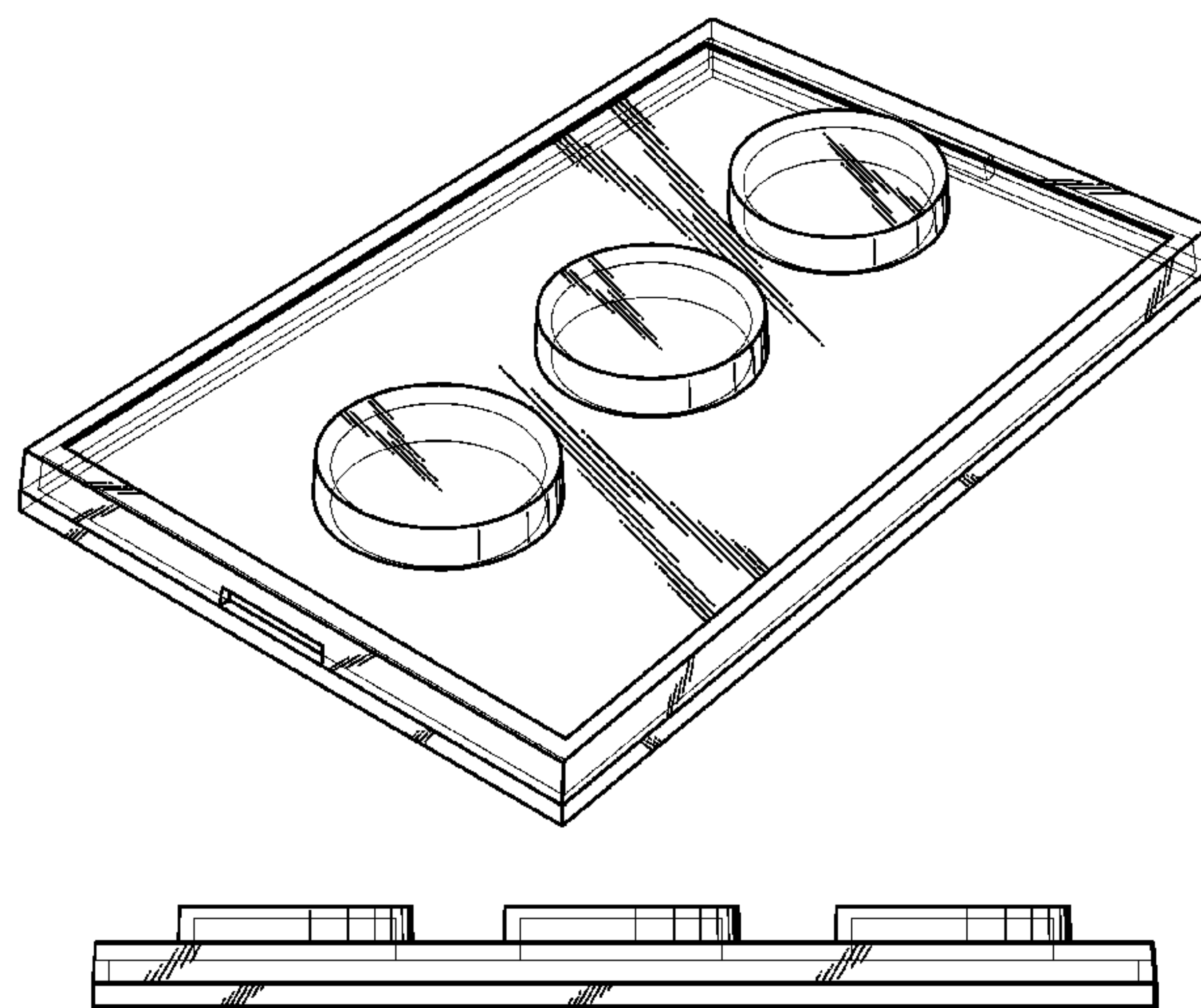
FIG. 6 is a perspective view of the showcase storage container for collectible items in an open position with the lid on the top and the base on the bottom.

FIG. 7 is a side view of the showcase storage container for collectible items in an open position with the lid on the top and the base on the bottom; and,

FIG. 8 is a front view of the showcase storage container for collectible items with the lid on the top and the base on the bottom.

The broken lines in the drawings depict unclaimed environmental subject matter.

**1 Claim, 3 Drawing Sheets**



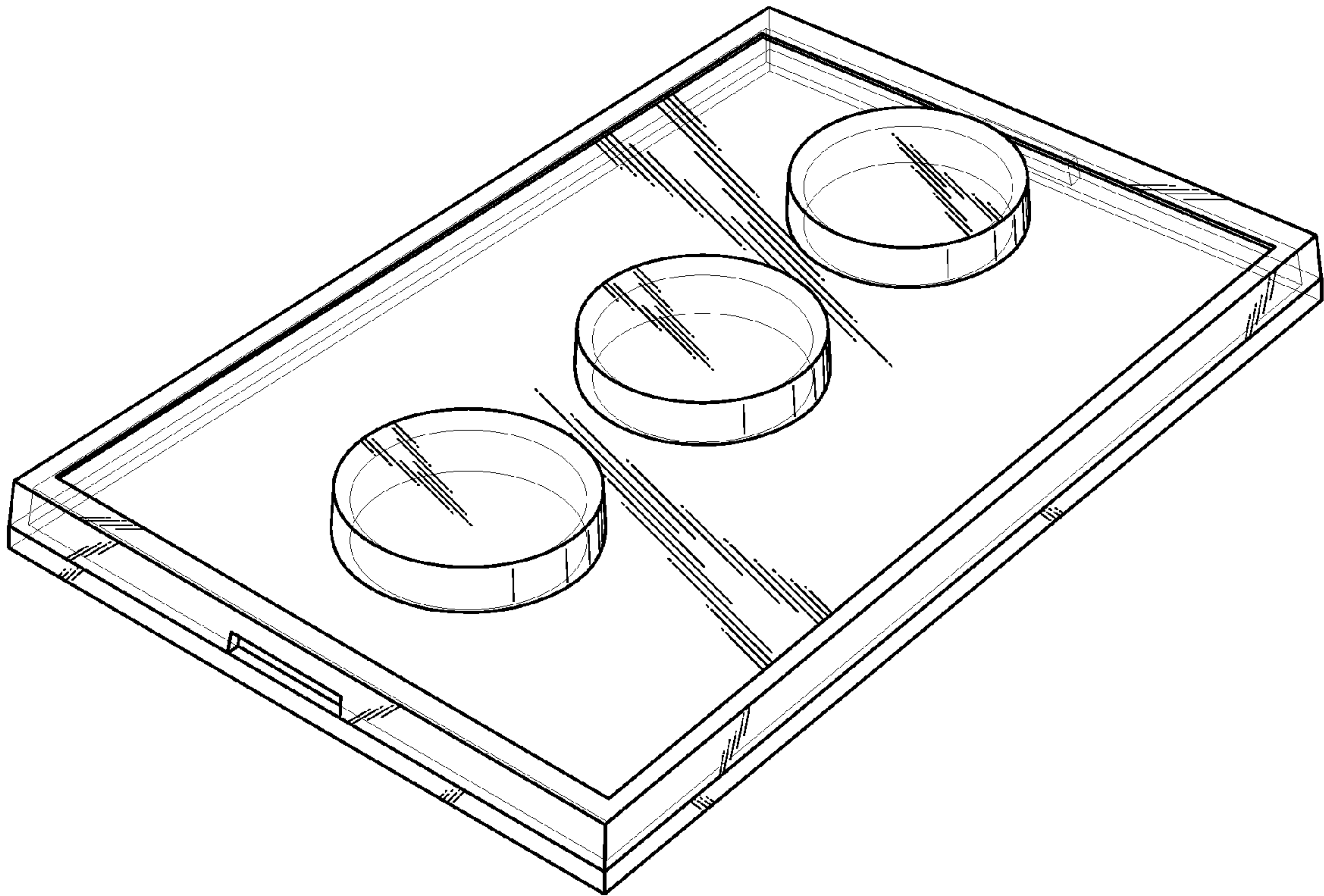


FIG. 1

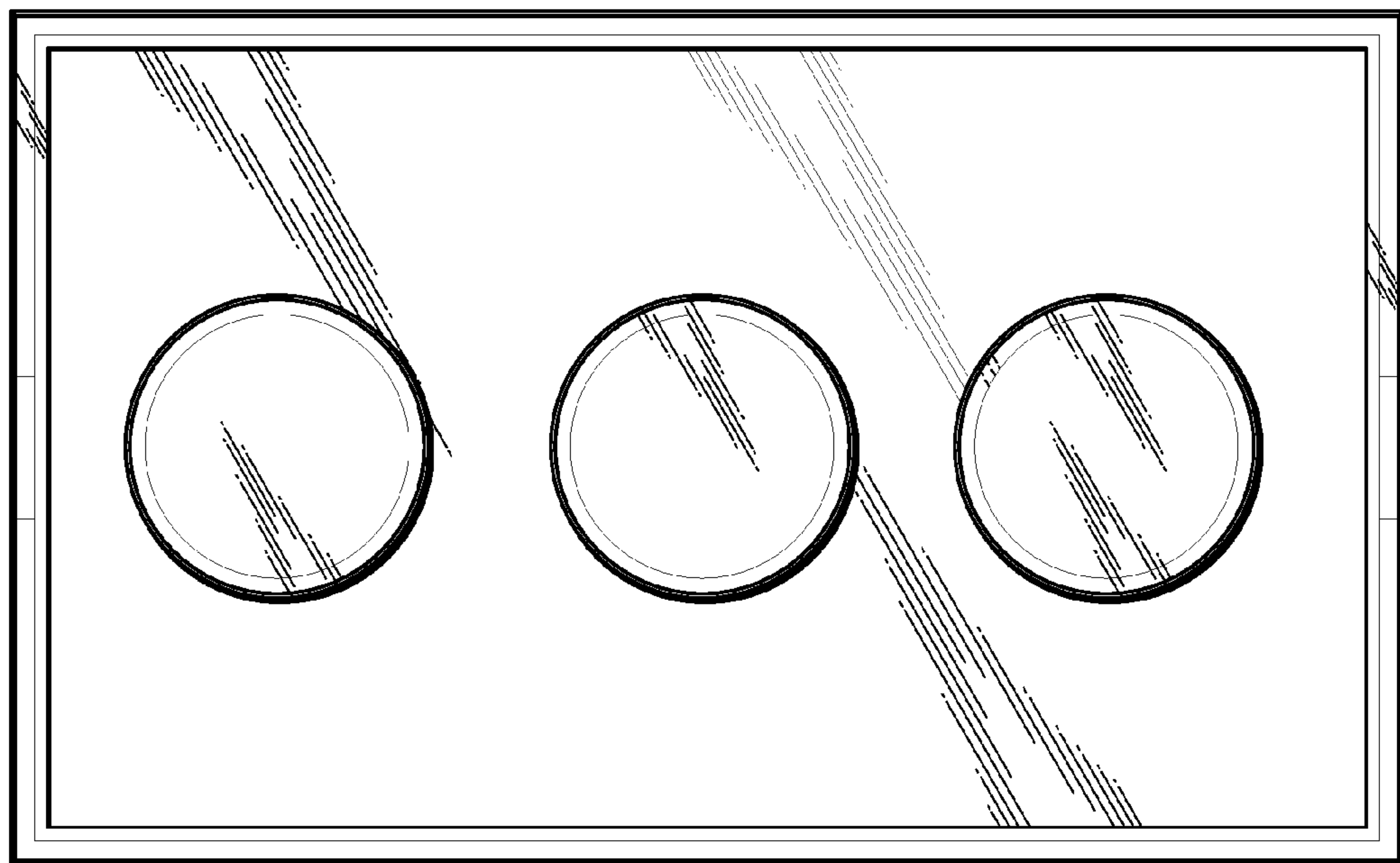


FIG. 2

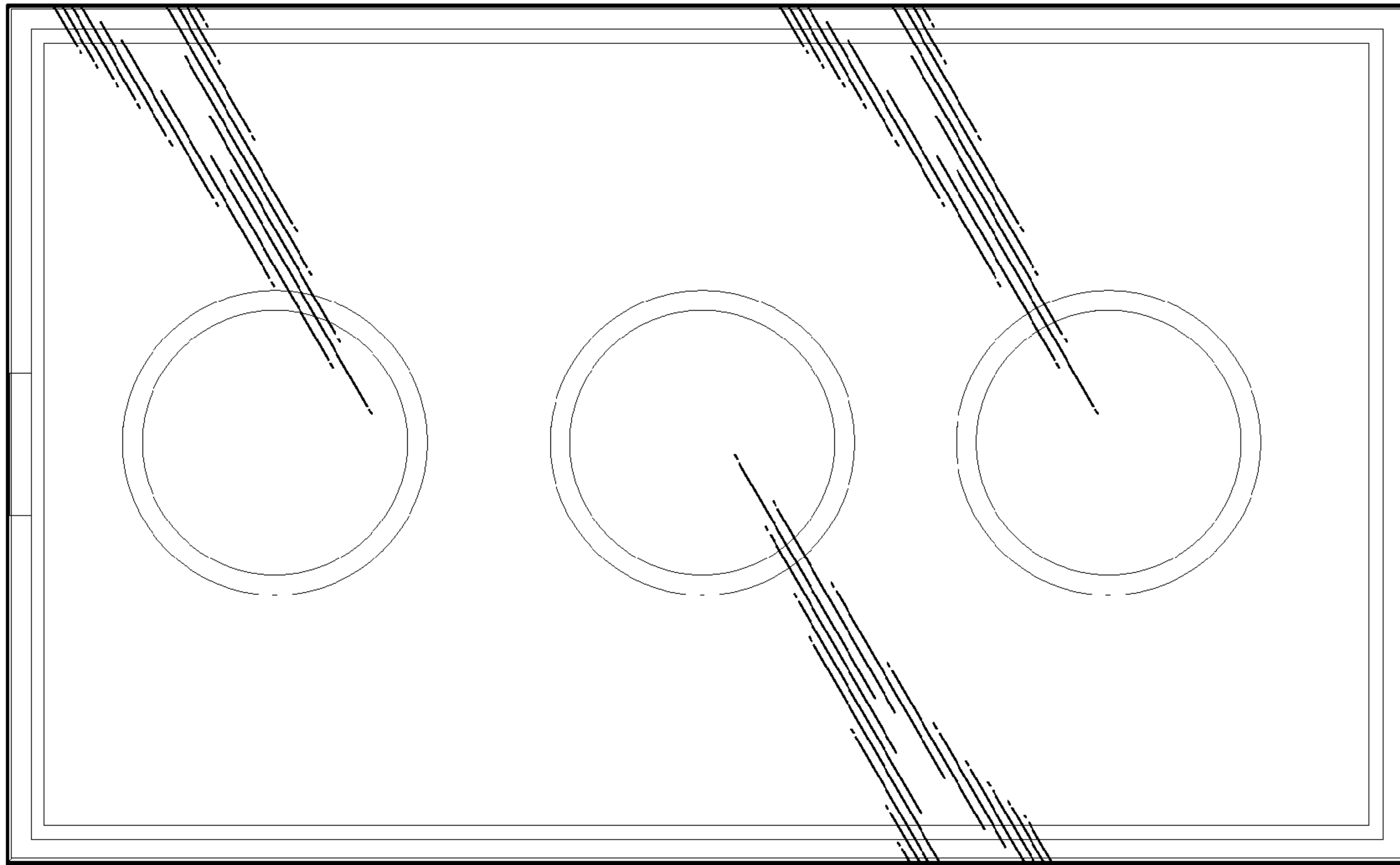


FIG. 3

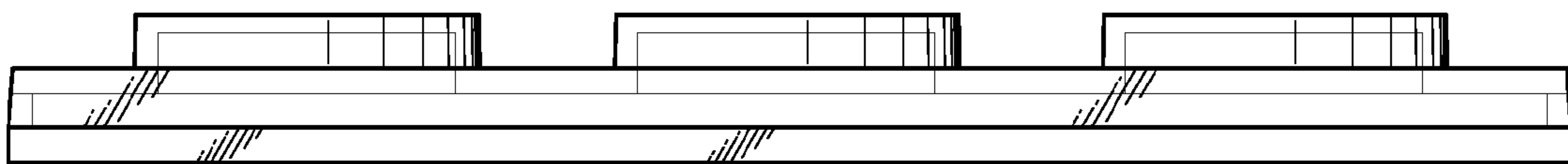


FIG. 4

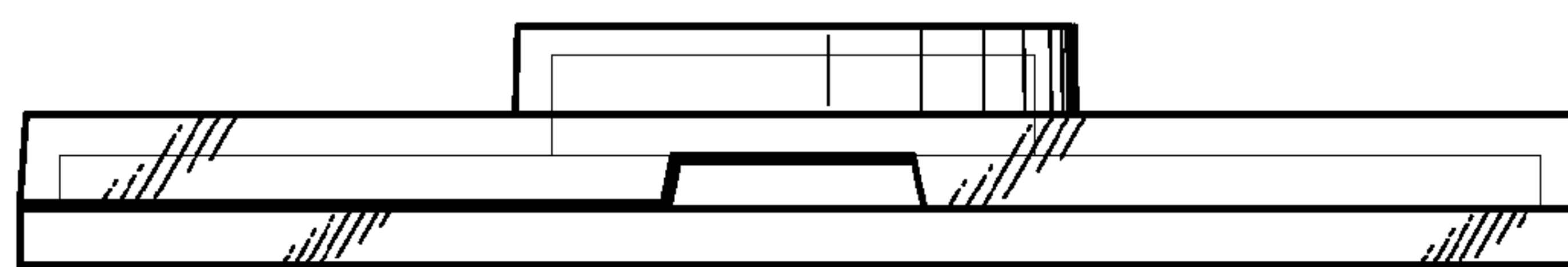


FIG. 5



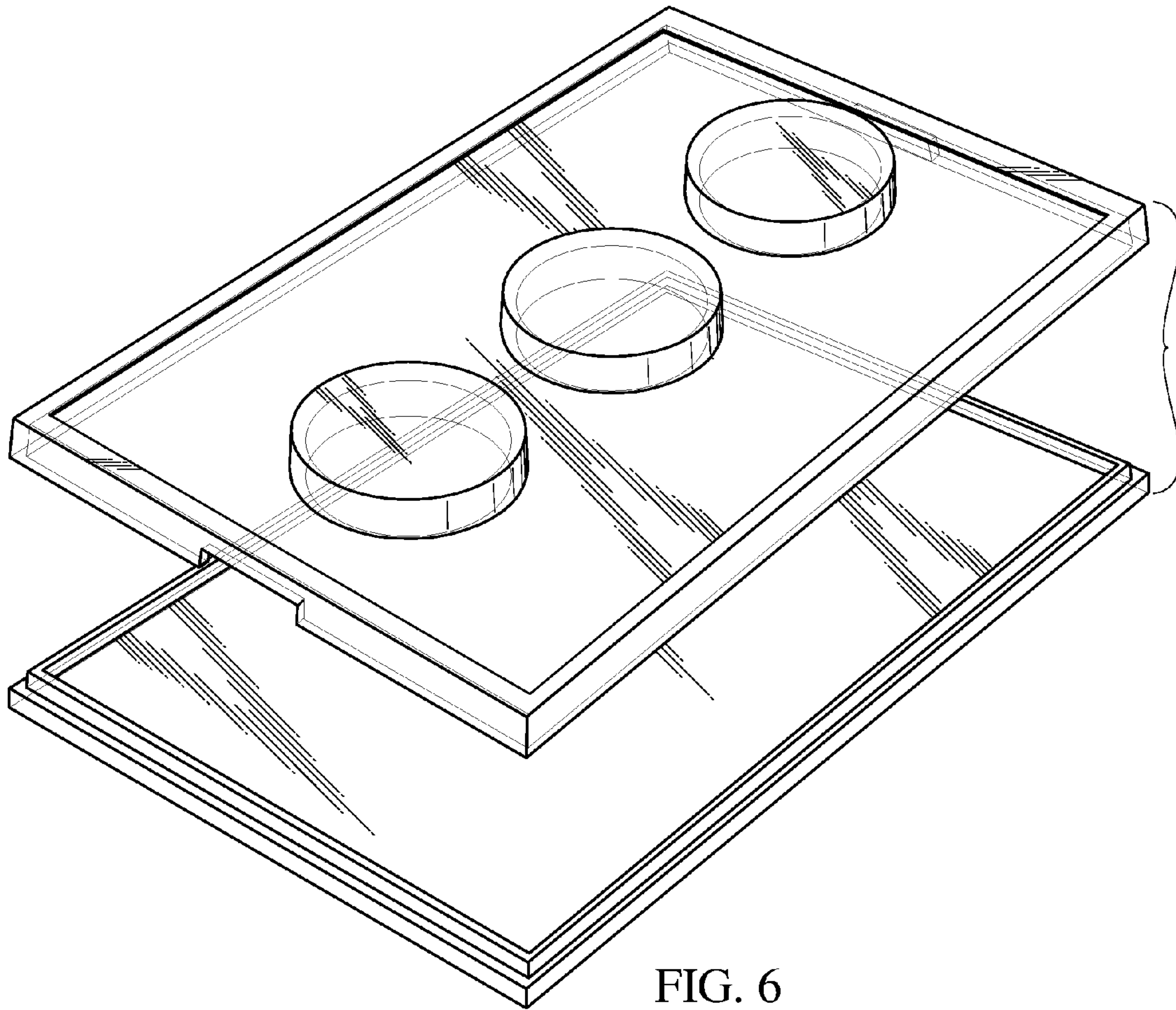


FIG. 6

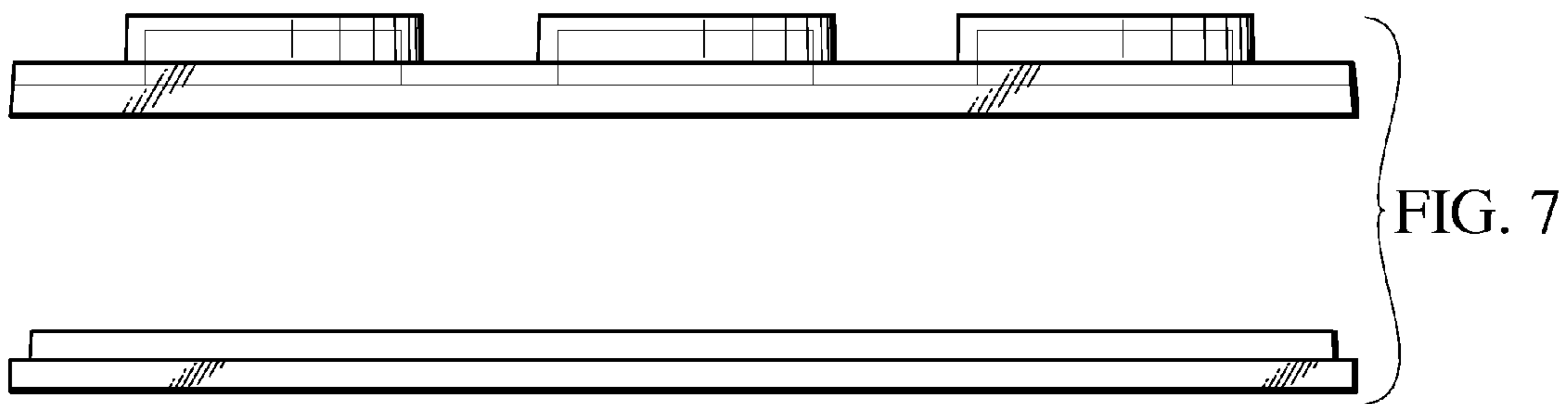


FIG. 7

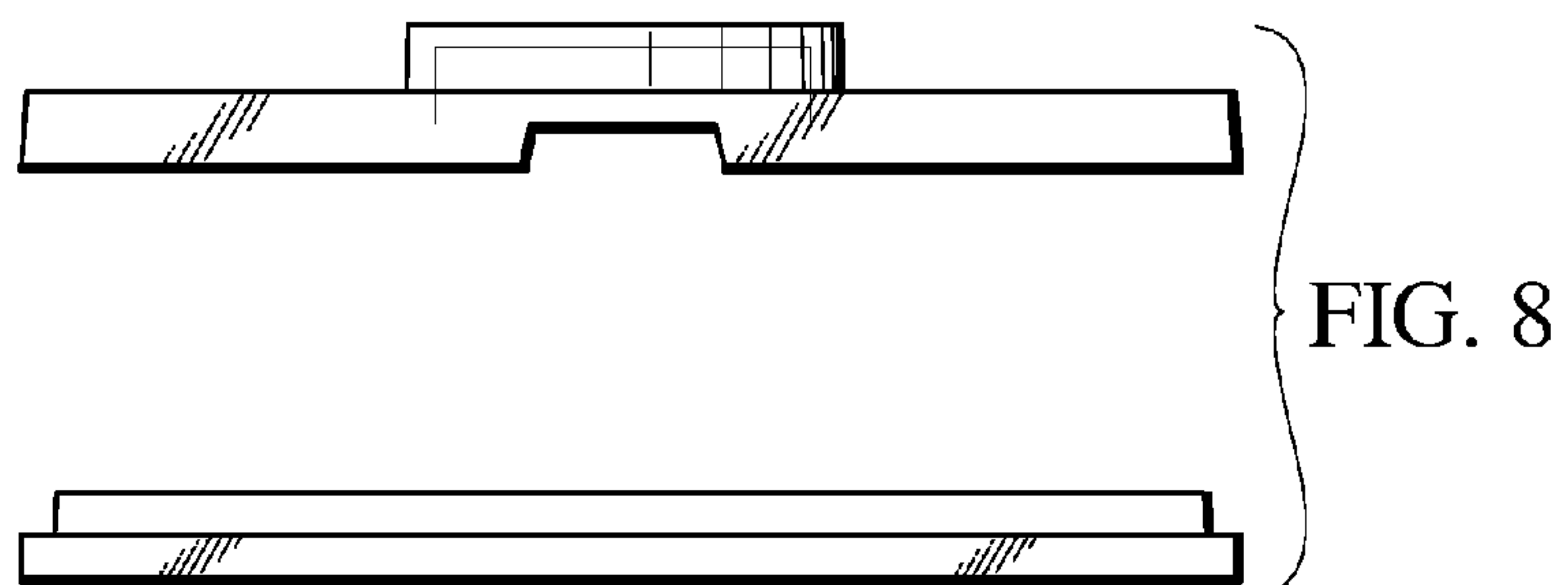


FIG. 8