



US00D575145S

(12) **United States Design Patent**
Heisten

(10) **Patent No.:** **US D575,145 S**

(45) **Date of Patent:** **** Aug. 19, 2008**

(54) **BOX SPRING CORNER PIECE**
(75) Inventor: **Brad J. Heisten**, deceased, late of
Carthage MO (US); by **Darla Heisten**,
legal representative, Carthage, MO (US)

6,263,533 B1 7/2001 Dimitry et al.
6,286,161 B1 9/2001 McCall
6,493,887 B1 12/2002 DeFranks et al.
6,687,929 B2 2/2004 DeFranks et al.
7,216,380 B2 5/2007 Vaskuthy
7,216,390 B2 5/2007 Vaskuthy

(73) Assignee: **L&P Property Management**
Company, South Gate, CA (US)

* cited by examiner

(**) Term: **14 Years**

Primary Examiner—Cathron Brooks

Assistant Examiner—Barbara Fox

(74) *Attorney, Agent, or Firm*—Wood, Herron & Evans, LLP

(21) Appl. No.: **29/276,955**

(57) **CLAIM**

(22) Filed: **Feb. 9, 2007**

The ornamental design for a box spring corner piece, as shown and described.

(51) **LOC (8) Cl.** **08-09**

(52) **U.S. Cl.** **D8/403; D6/606**

(58) **Field of Classification Search** D6/606;
D8/400-499; 5/739, 717, 663, 400, 261,
5/254

DESCRIPTION

See application file for complete search history.

FIG. 1 is a perspective view of a box spring corner piece showing my design;

FIG. 2 is a perspective view of the box spring corner piece of FIG. 1;

FIG. 3 is a front elevational view thereof;

FIG. 4 is a rear elevational view thereof;

FIG. 5 is a left side elevational view thereof, the opposite side view of which is a mirror image thereof;

FIG. 6 is a top plan view thereof; and,

FIG. 7 is a bottom plan view thereof.

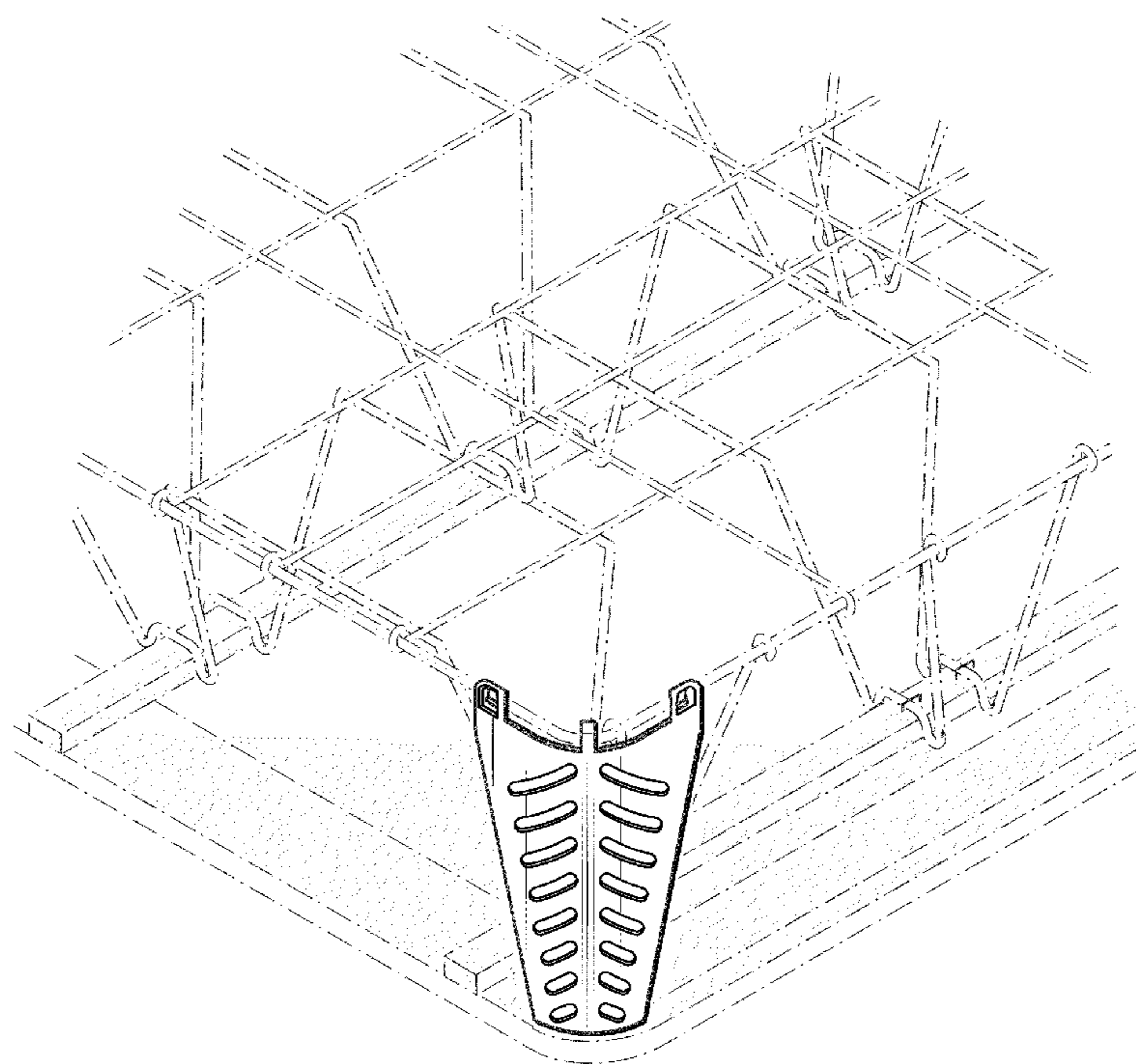
In the drawings, the broken line showing of a box spring depicts environmental subject matter and forms no part of the claim.

(56) **References Cited**

U.S. PATENT DOCUMENTS

2,954,075	A *	9/1960	Repaich	5/260
3,406,411	A	10/1968	La Reis		
4,063,702	A *	12/1977	Wilde et al.	248/345.1
5,265,291	A	11/1993	Callaway		
D351,988	S *	11/1994	Gotcher	D8/403
5,628,080	A	5/1997	Quintile		
5,787,532	A	8/1998	Langer et al.		
5,864,906	A	2/1999	Pacelli		
5,878,455	A	3/1999	Patterson		
5,884,385	A *	3/1999	Quintile	29/513
6,125,488	A	10/2000	Vogland et al.		

1 Claim, 3 Drawing Sheets



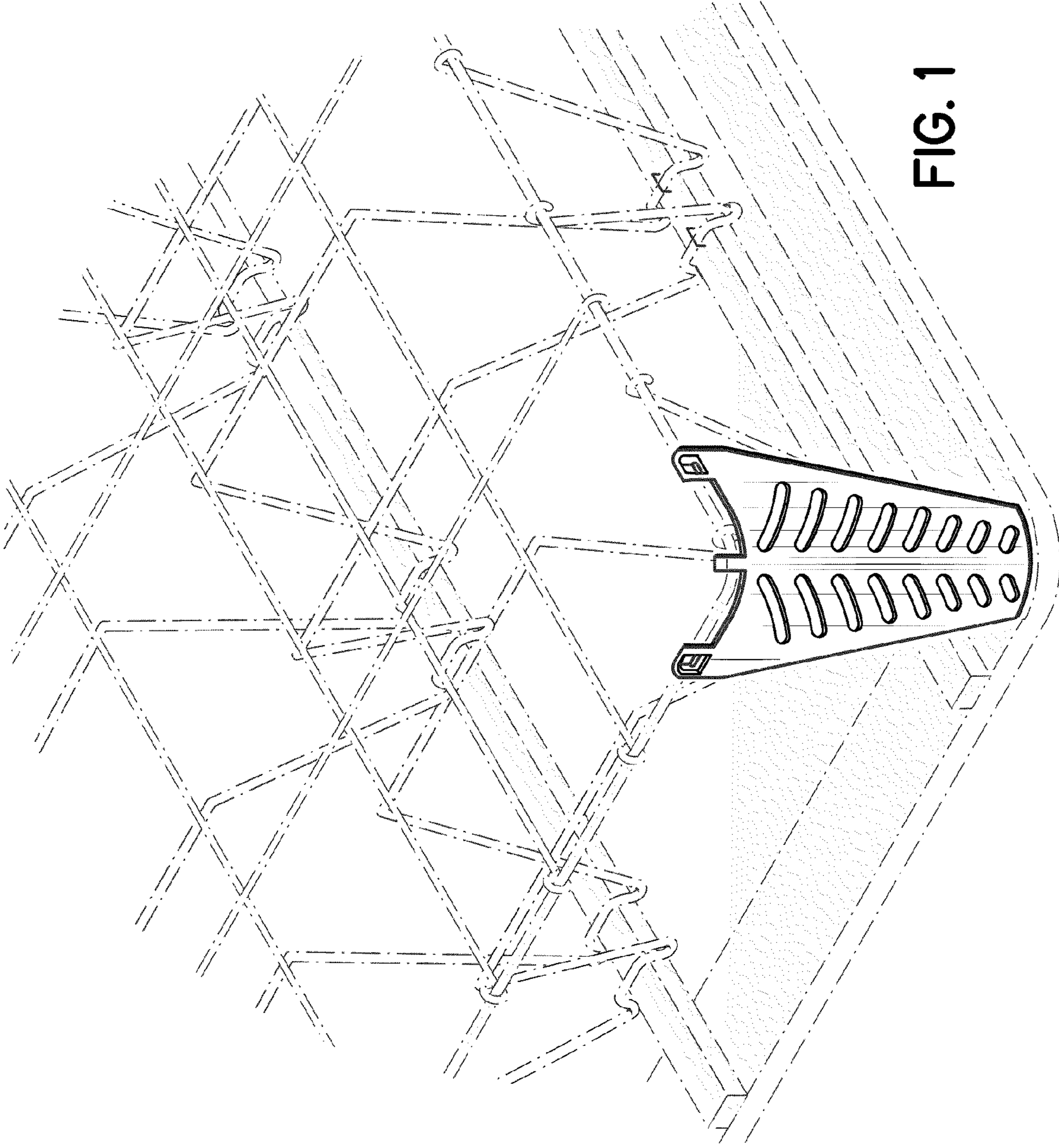


FIG. 1

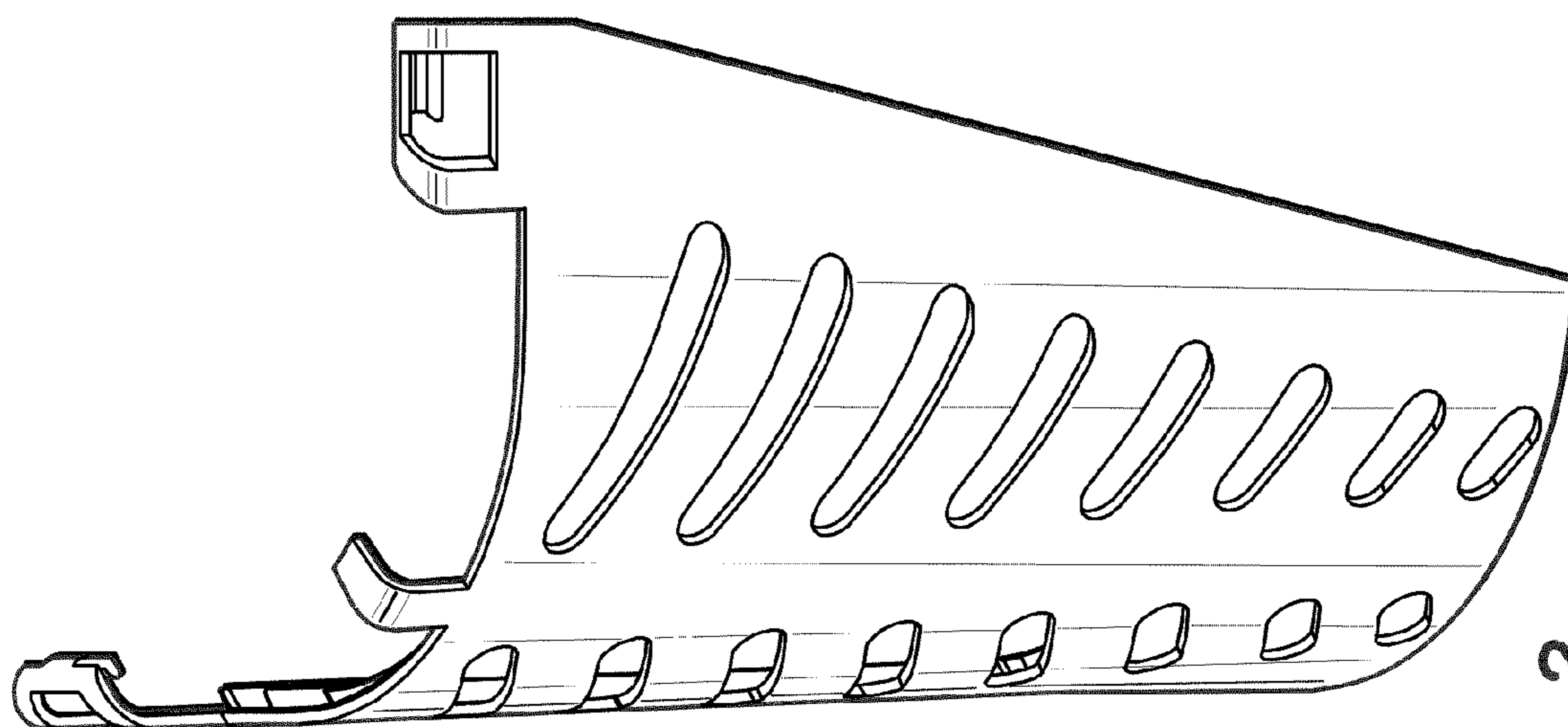


FIG. 2

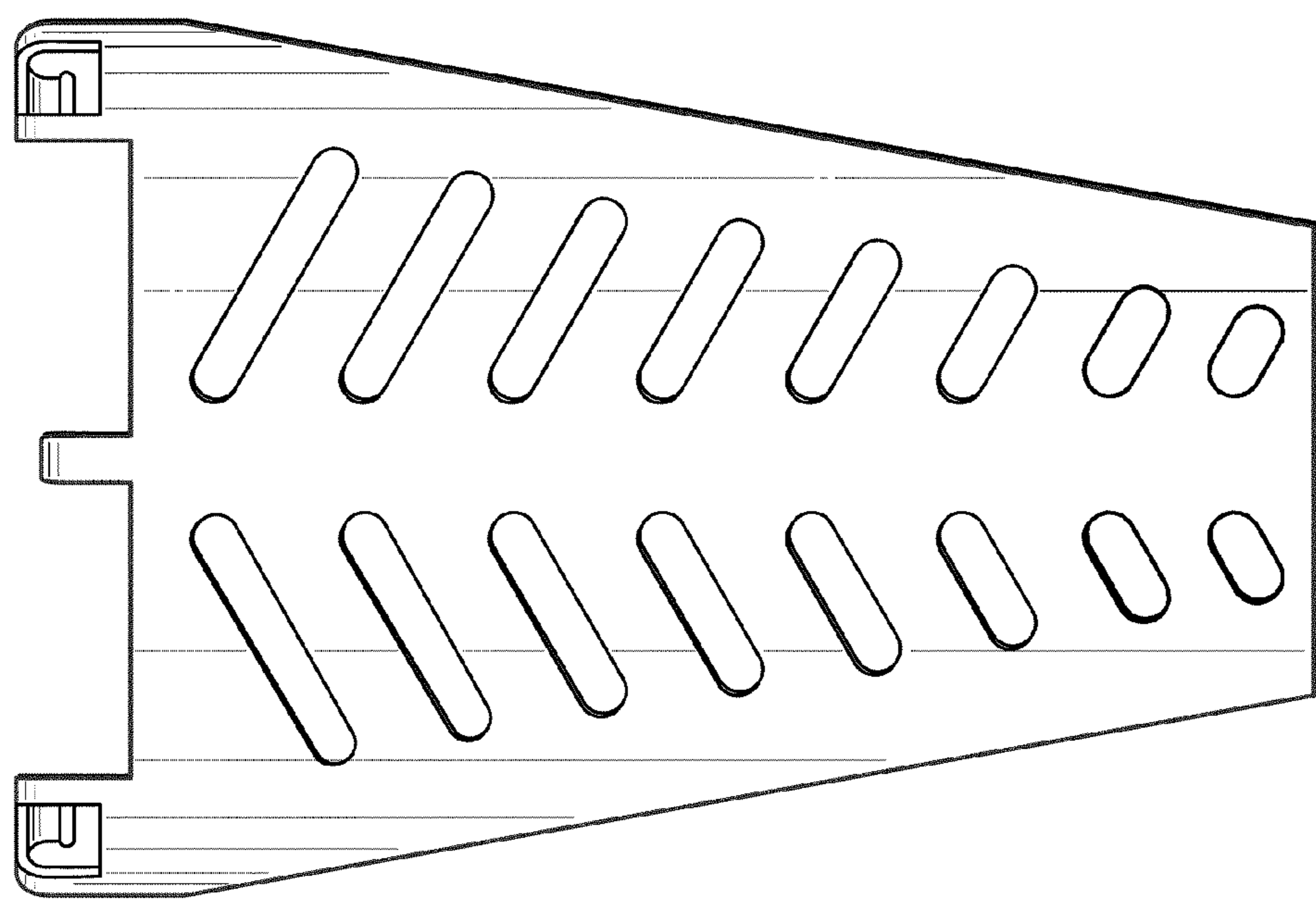


FIG. 3

