



US00D575143S

(12) **United States Design Patent**
Kuo et al.

(10) **Patent No.:** **US D575,143 S**
(45) **Date of Patent:** **** Aug. 19, 2008**

(54) **CLIP**
(75) Inventors: **Peter Kuo**, Tu-Cheng (TW); **Xiao Fan**, Kunshan (CN)

D394,801 S * 6/1998 Blocher D8/356
7,040,587 B2 * 5/2006 Thompson et al. 248/214
D542,123 S * 5/2007 Symons D8/356
D549,557 S * 8/2007 Mori et al. D8/356

(73) Assignee: **Hon Hai Precision Ind. Co., Ltd.**, Taipei Hsien (TW)

* cited by examiner

(**) Term: **14 Years**

Primary Examiner—Robert M. Spear
Assistant Examiner—John Windmuller
(74) *Attorney, Agent, or Firm*—Wei Te Chung

(21) Appl. No.: **29/289,883**

(57) **CLAIM**

(22) Filed: **Aug. 6, 2007**

The ornamental design for a clip, as shown and described.

(30) **Foreign Application Priority Data**
Feb. 7, 2007 (CN) 2007 3 0026453

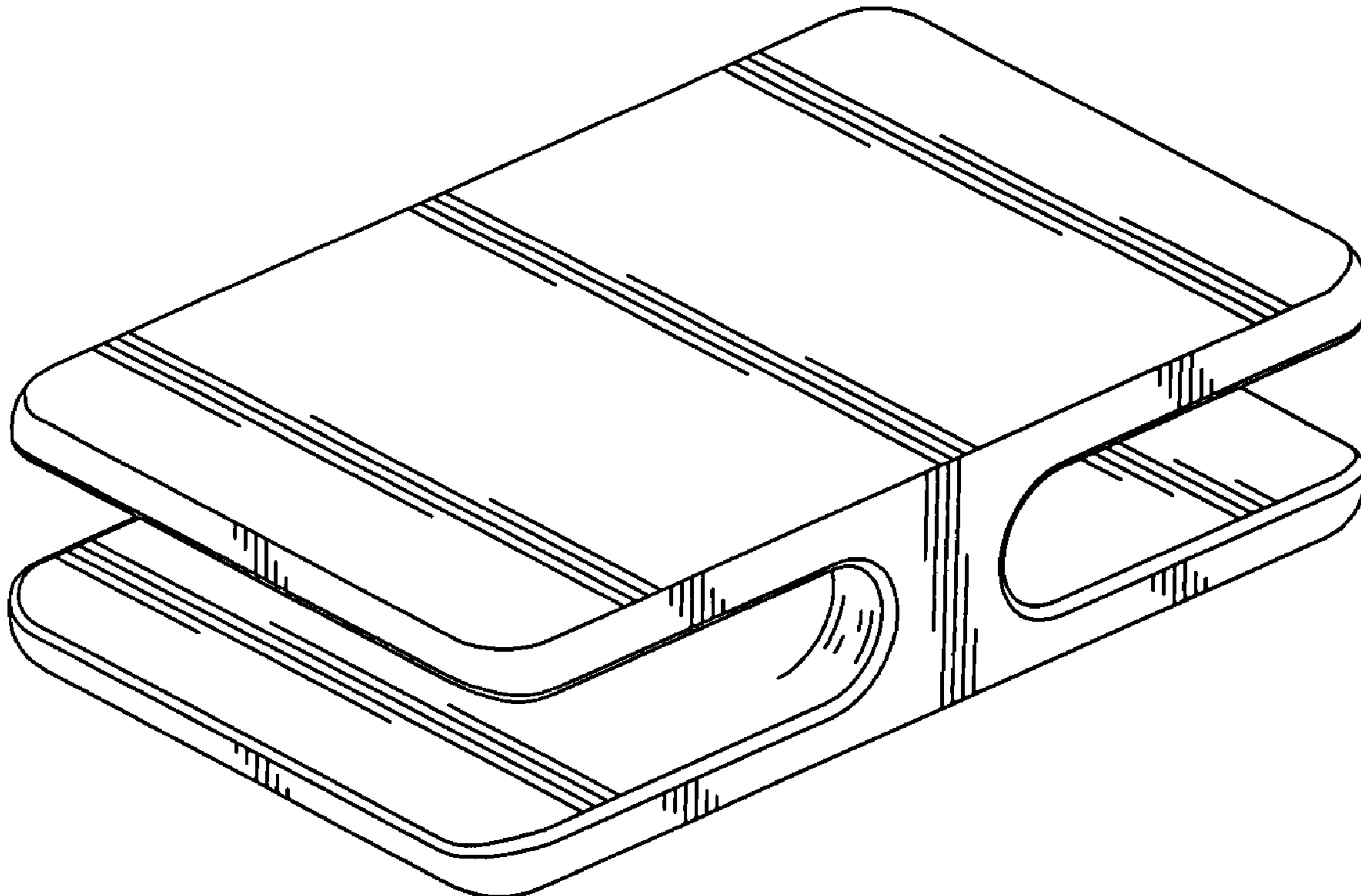
DESCRIPTION

(51) **LOC (8) Cl.** **08-08**
(52) **U.S. Cl.** **D8/394**; D8/395; D8/356
(58) **Field of Classification Search** D8/356,
D8/371, 394–396, 364, 360.1, 358; D19/65;
D24/128; 24/570; 248/74.2, 215, 227.1,
248/49, 300, 301, 316.7, 51, 489
See application file for complete search history.

FIG. 1 is a front, top and left side perspective view of a clip;
FIG. 2 is a front elevational view thereof;
FIG. 3 is a rear elevational view thereof;
FIG. 4 is a left side elevational view thereof;
FIG. 5 is a right side elevational view thereof;
FIG. 6 is a top plan view thereof;
FIG. 7 is a bottom plan view thereof; and,
FIG. 8 is a view of the clip being used with a cable shown in broken lines, wherein broken-line indicated portion does not form part of the claimed design.

(56) **References Cited**
U.S. PATENT DOCUMENTS
D207,057 S * 2/1967 Palmer D8/395
D275,174 S * 8/1984 Rolli D8/356

1 Claim, 8 Drawing Sheets



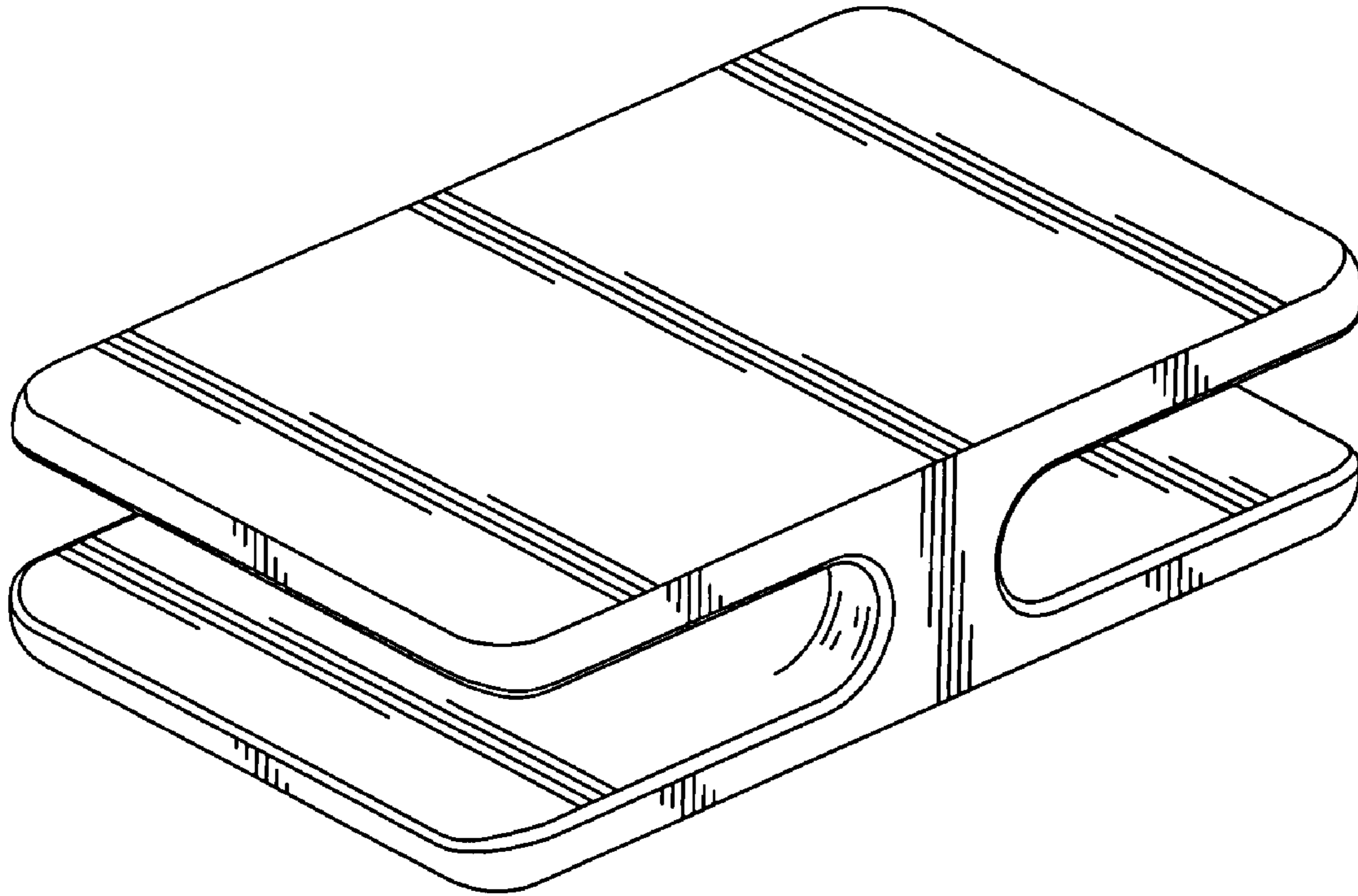


FIG. 1

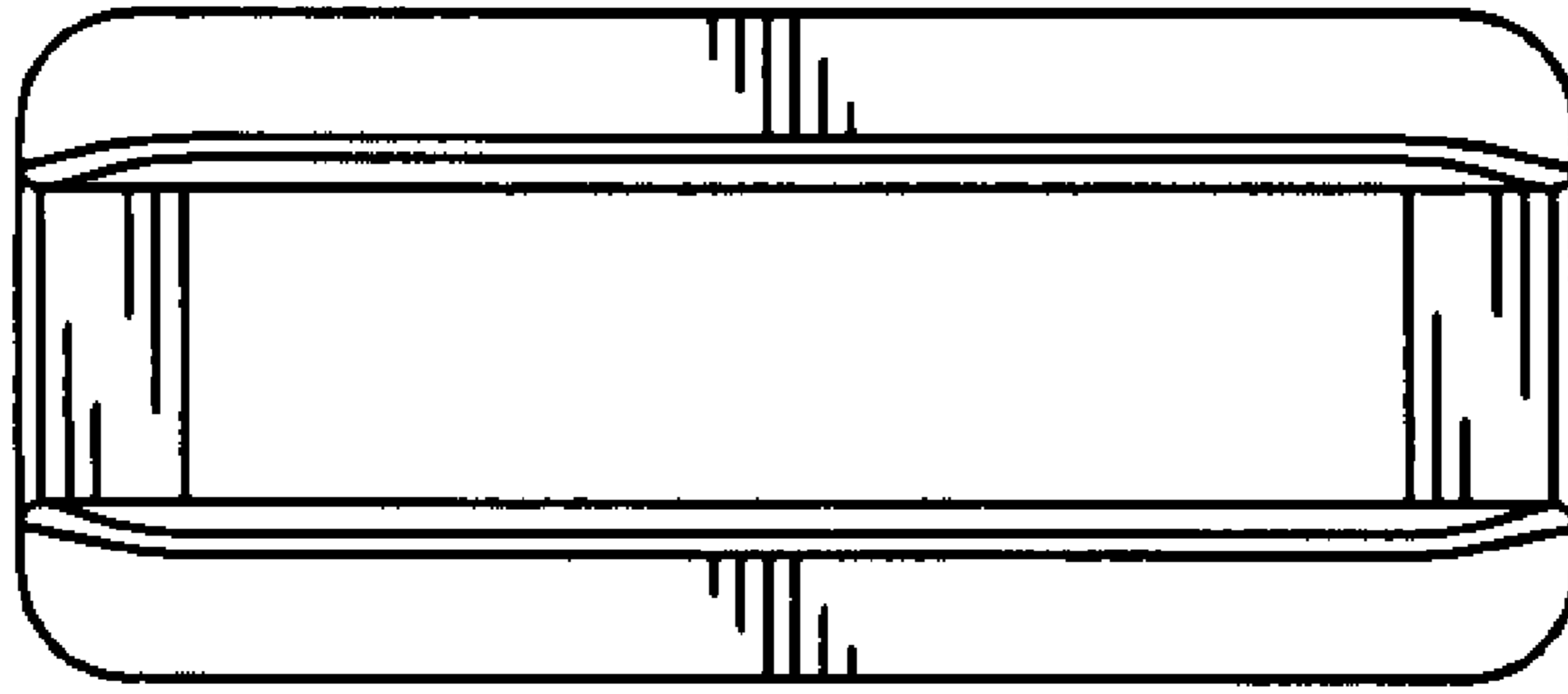


FIG. 2

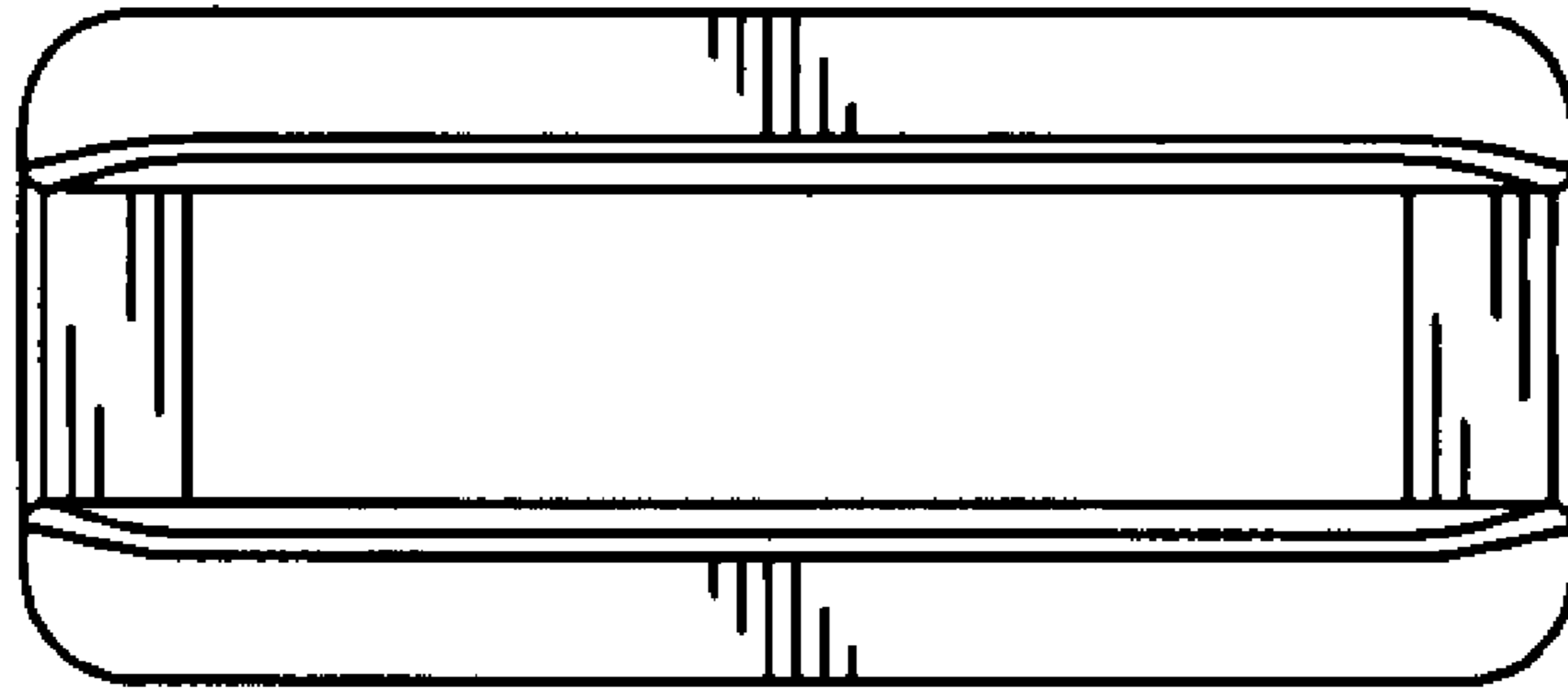


FIG. 3

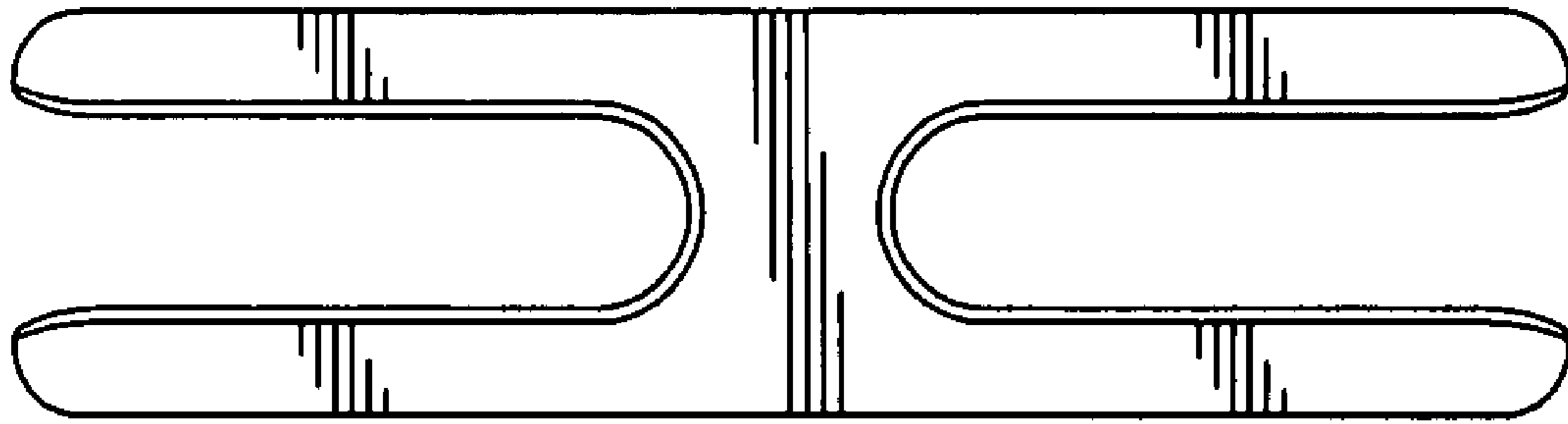


FIG. 4

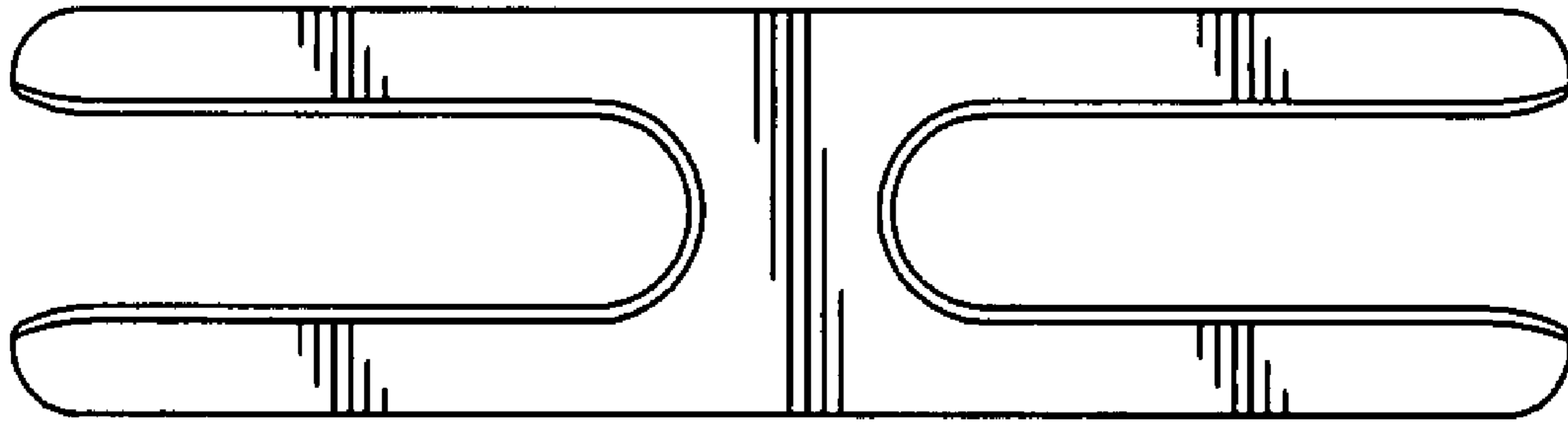


FIG. 5

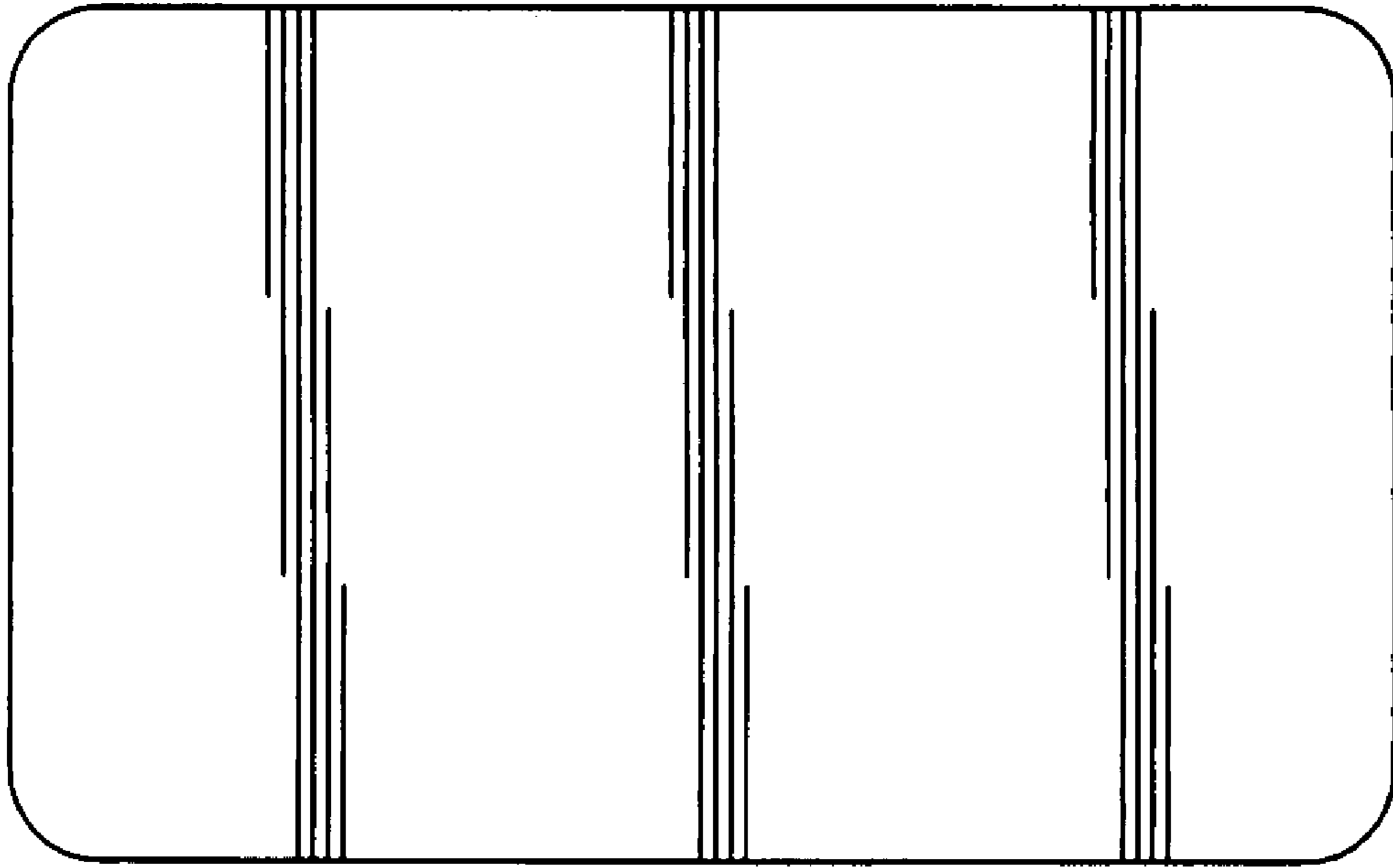


FIG. 6

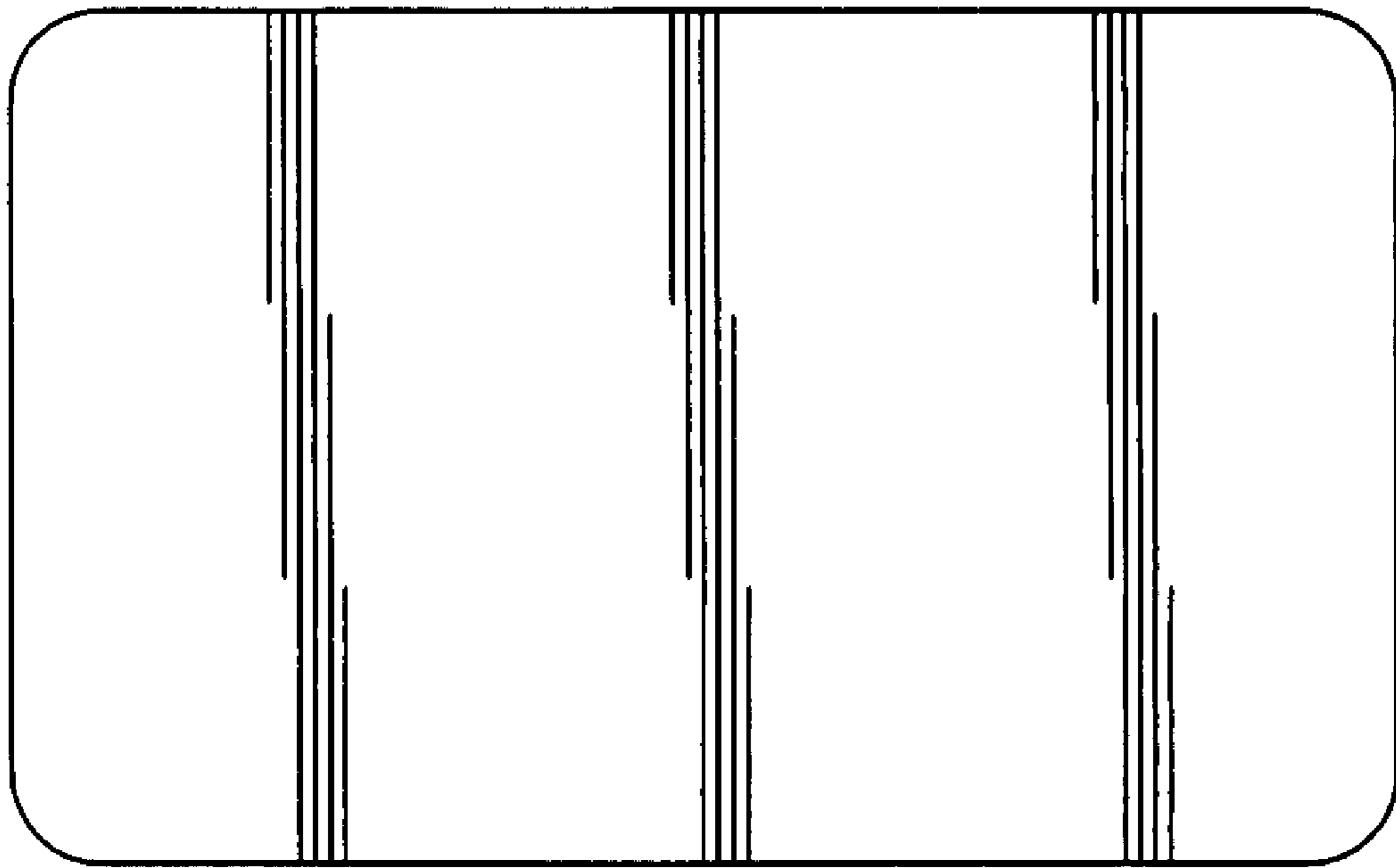


FIG. 7

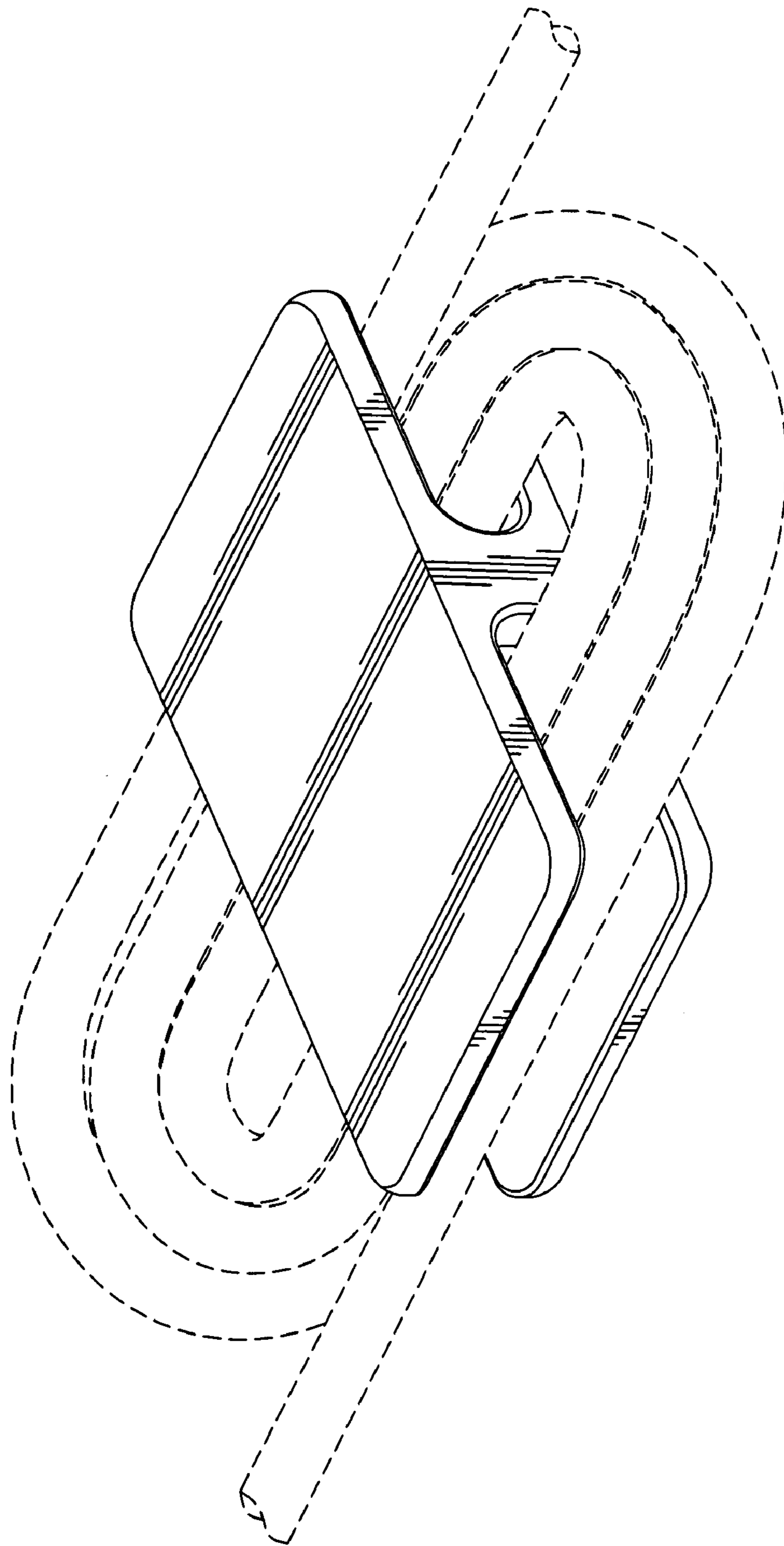


FIG. 8