



US00D575139S

(12) **United States Design Patent**
LePoire et al.

(10) **Patent No.:** **US D575,139 S**
(45) **Date of Patent:** **** Aug. 19, 2008**

(54) **BRACE FOR SECURING SPACED APART STRUCTURAL COMPONENTS**

(75) Inventors: **Robert A. LePoire**, St. Albans, MO (US); **Christopher L. Hollander**, Wildwood, MO (US); **David C. Wert**, Pacific, MO (US)

(73) Assignee: **MiTek Holdings, Inc.**, Wilmington, DE (US)

(**) Term: **14 Years**

(21) Appl. No.: **29/282,542**

(22) Filed: **Jul. 23, 2007**

(51) **LOC (8) Cl.** **08-05**

(52) **U.S. Cl.** **D8/349**

(58) **Field of Classification Search** D8/349,
D8/354; D25/119; 52/712, 714, 715, 90.1;
248/300

See application file for complete search history.

(56) **References Cited**

U.S. PATENT DOCUMENTS

3,221,467	A *	12/1965	Henkels	52/690
3,303,623	A *	2/1967	Hawkins	52/90.1
3,606,720	A *	9/1971	Cookson	52/714
4,590,727	A *	5/1986	Ghahremani et al.	52/406.3
4,594,823	A *	6/1986	Hague	52/90.1
4,800,698	A *	1/1989	Murphy	52/714
5,390,453	A *	2/1995	Untiedt	52/90.1
5,457,927	A	10/1995	Pellock	
5,497,591	A	3/1996	Nelson	
5,857,306	A	1/1999	Pellock	
5,899,042	A	5/1999	Pellock	
5,946,879	A	9/1999	Pellock	
5,992,125	A	11/1999	Hardy	
6,148,583	A	11/2000	Hardy	

6,260,327	B1	7/2001	Pellock
6,336,963	B1	1/2002	Malhotra
6,393,794	B1	5/2002	Pellock
6,397,527	B1	6/2002	Pellock
6,758,022	B1	7/2004	Coll
7,178,305	B2	2/2007	Petrova

FOREIGN PATENT DOCUMENTS

AU	114246	S	3/1992
AU	133501	S	6/1996
AU	141915	S	10/1999
AU	143896	S	9/2000
AU	143899	S	9/2000
AU	778138	B	10/2001
AU	2002313378	B	7/2003
CA	2370002	A1	7/2002

* cited by examiner

Primary Examiner—Holly H Baynham

(74) *Attorney, Agent, or Firm*—Senniger Powers LLP

(57) **CLAIM**

The ornamental design for a brace for securing spaced apart structural components, as shown and described.

DESCRIPTION

FIG. 1 is a perspective of a brace for securing spaced apart structural components;

FIG. 2 is a front elevational view thereof, the rear elevational view being a mirror image;

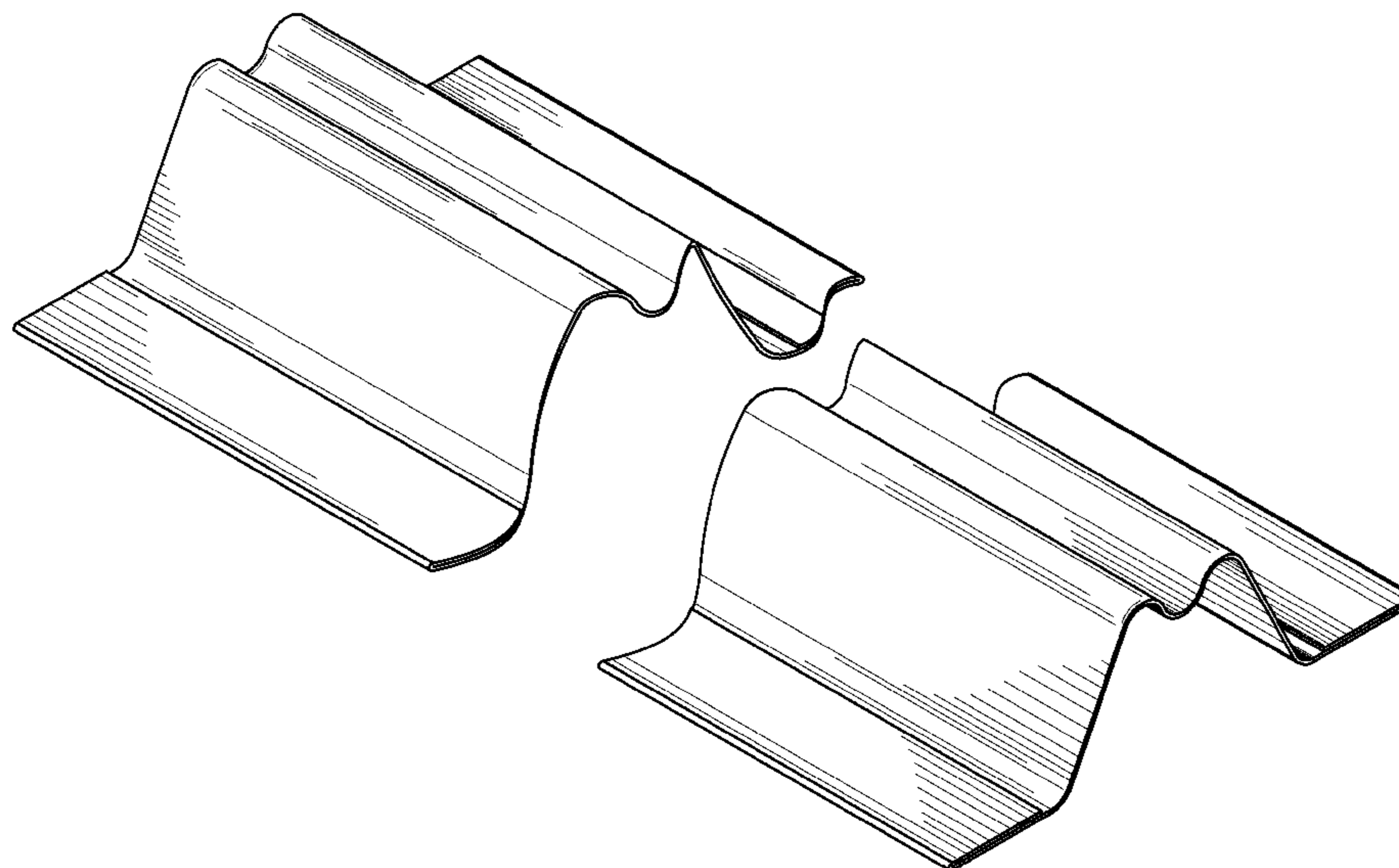
FIG. 3 is a right elevational view thereof, the left elevational view being a mirror image;

FIG. 4 is a top plan view thereof; and,

FIG. 5 is a bottom plan view thereof.

The brace is shown broken in FIGS. 1, 2, 4 and 5 to indicate variable length.

1 Claim, 5 Drawing Sheets



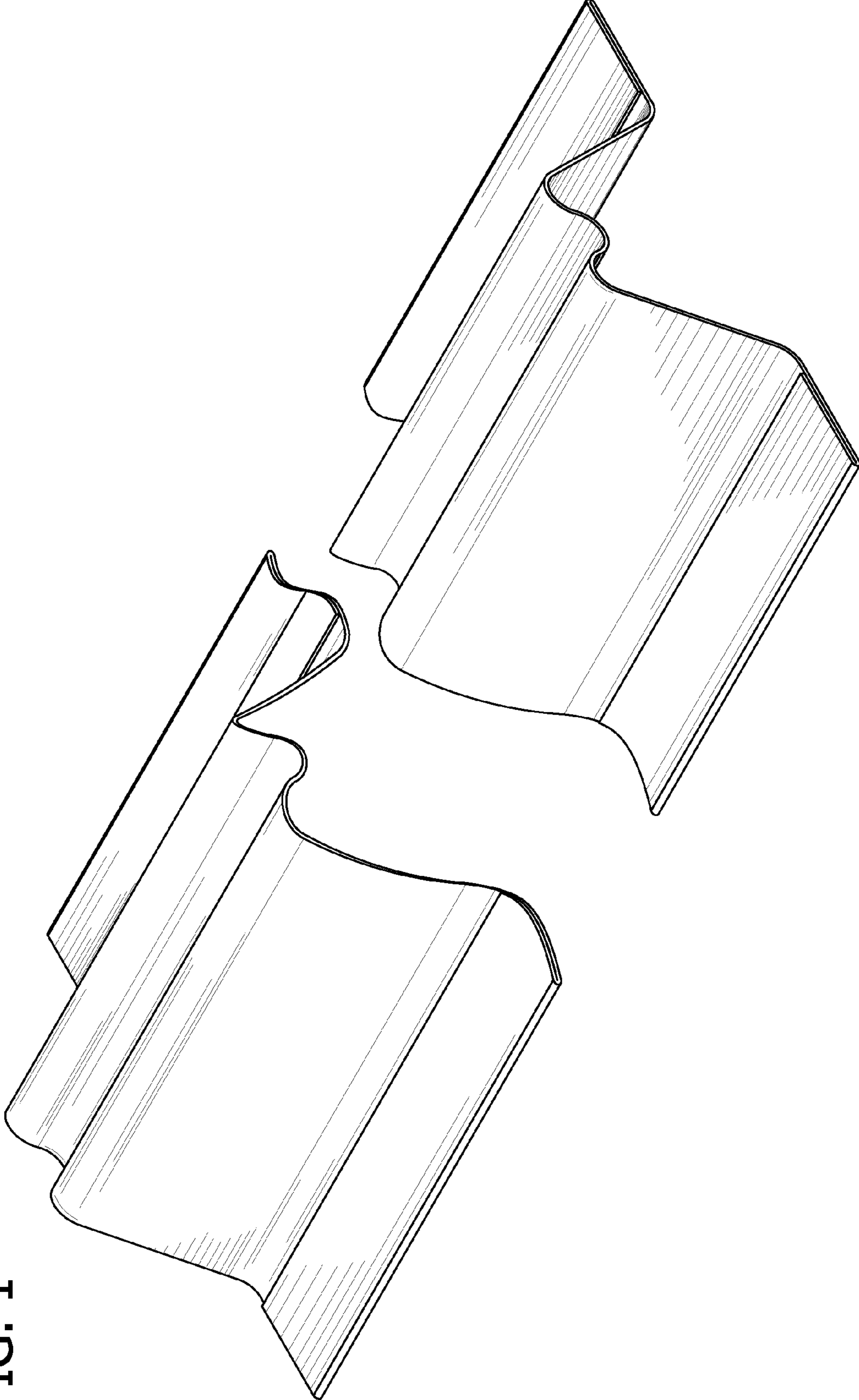


FIG. 1

FIG. 2

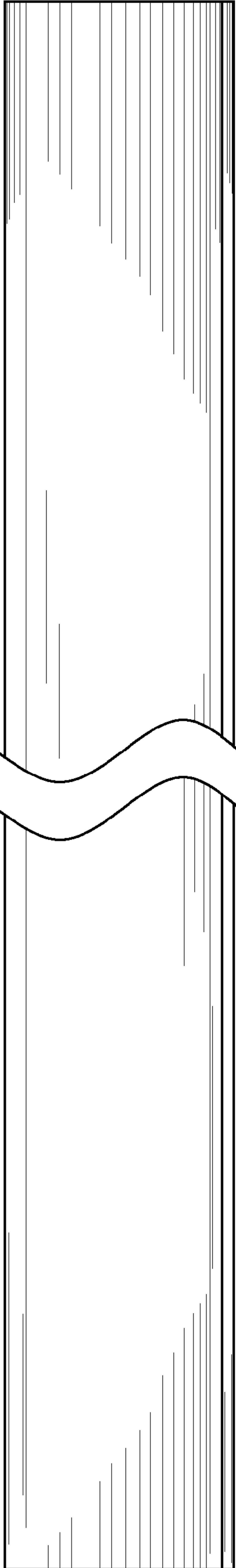
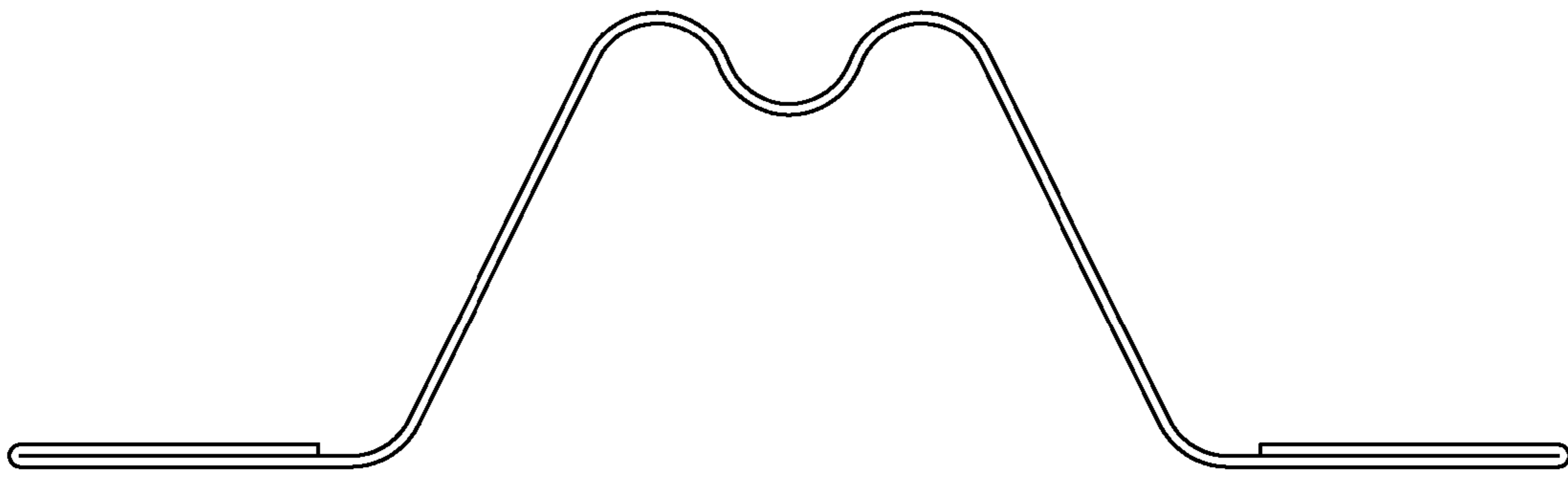


FIG. 3



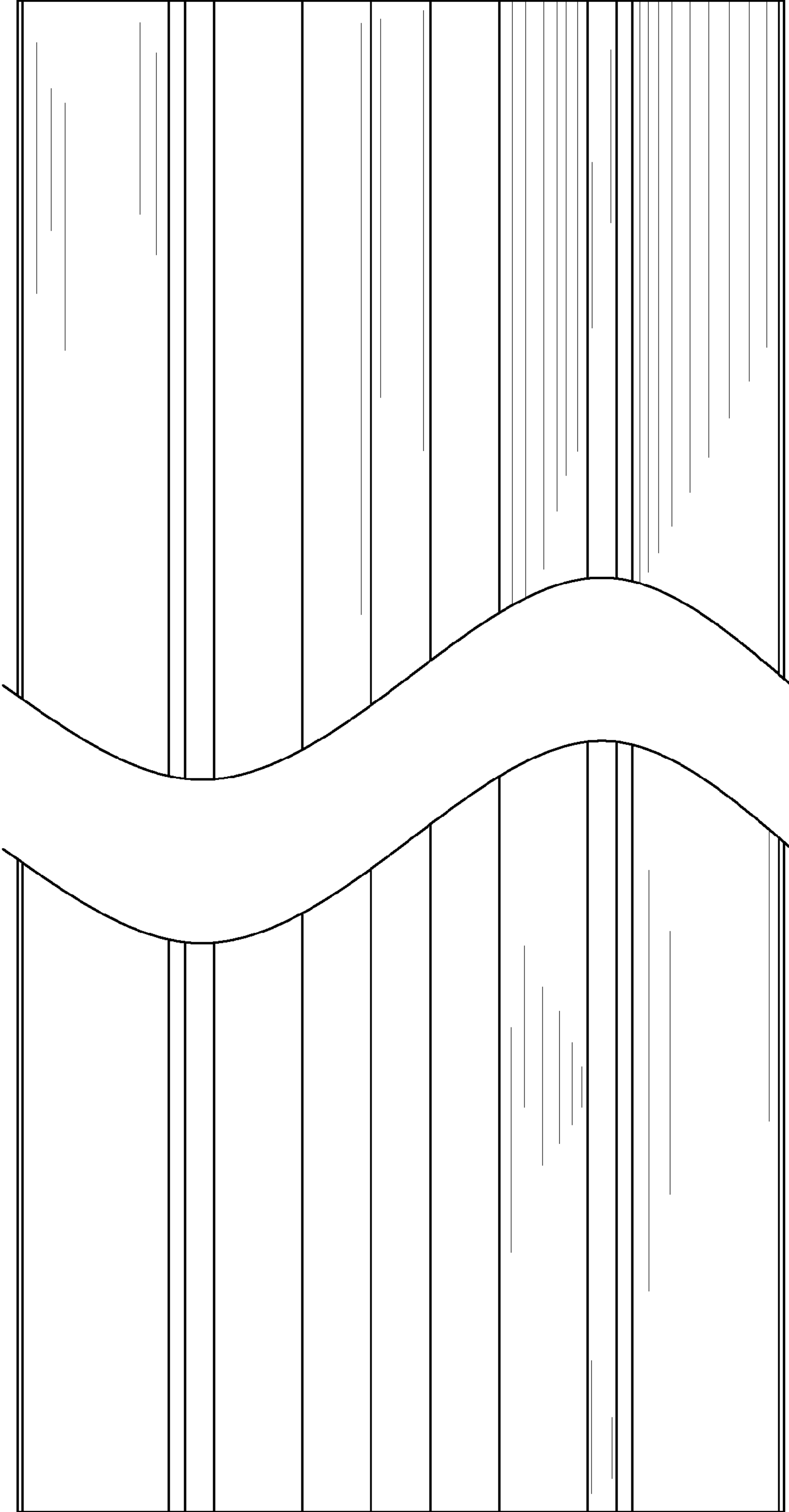


FIG. 4

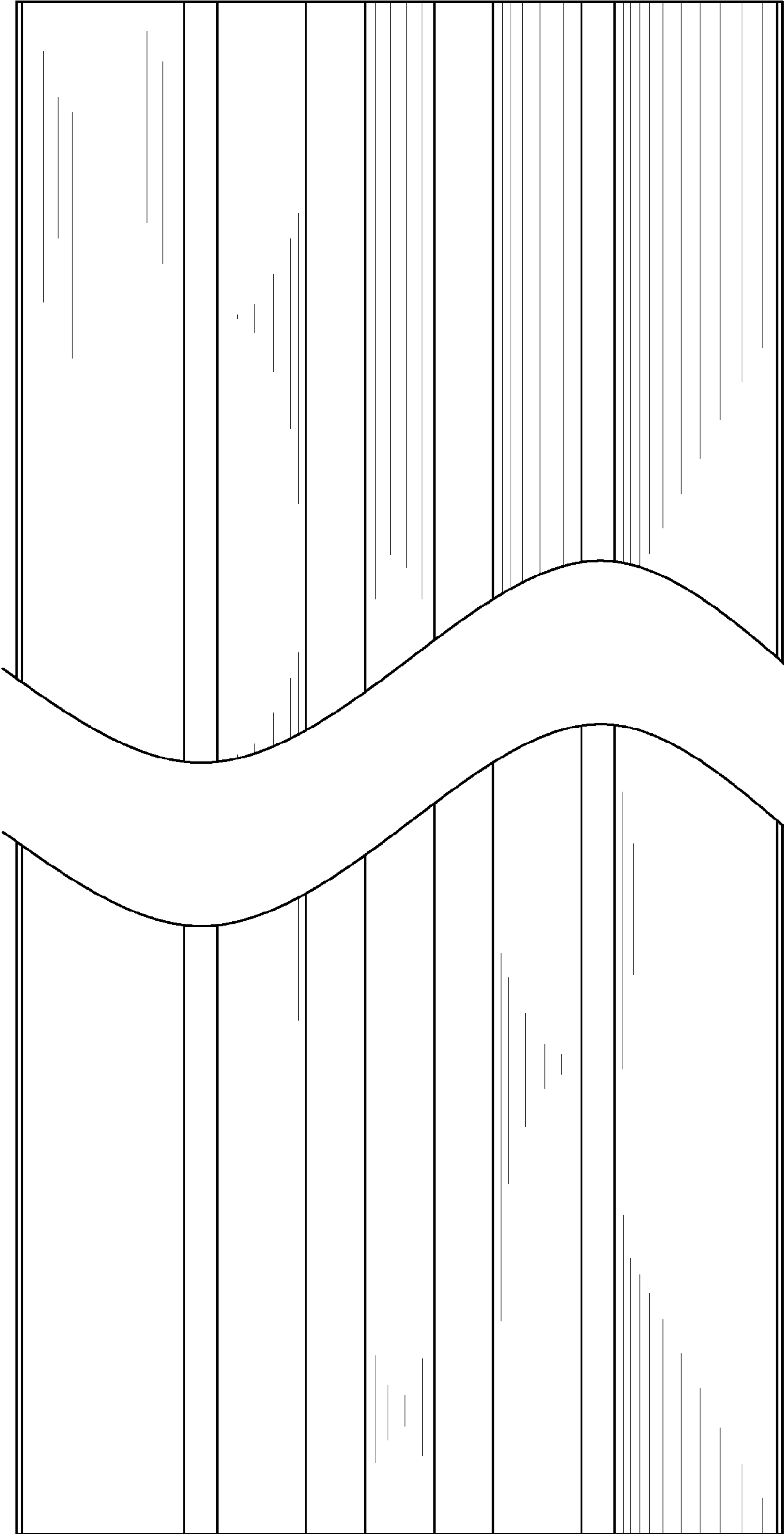


FIG. 5