



US00D575130S

(12) **United States Design Patent**
Smith

(10) **Patent No.:** **US D575,130 S**

(45) **Date of Patent:** **** Aug. 19, 2008**

(54) **ABRASIVE SHARPENER**

D499,004 S * 11/2004 Smith D8/93

(75) Inventor: **Richard Smith**, Hot Springs, AR (US)

* cited by examiner

(73) Assignee: **SmithAbrasives Inc.**, Hot Springs, AR (US)

Primary Examiner—Philip S Hyder

(74) *Attorney, Agent, or Firm*—Edward D. Gilhooly

(**) Term: **14 Years**

(57) **CLAIM**

(21) Appl. No.: **29/288,903**

The ornamental design for an abrasive sharpener, as shown and described.

(22) Filed: **Jun. 27, 2007**

DESCRIPTION

(51) **LOC (8) Cl.** **08-05**

(52) **U.S. Cl.** **D8/93**

(58) **Field of Classification Search** D8/90,
D8/91, 92, 93, 94; 451/548, 549, 552, 555,
451/556, 557; 76/82, 84, 86, 88

See application file for complete search history.

FIG. 1 is a front perspective view of the abrasive sharpener of the invention;

FIG. 2 is a left end elevational view, of the abrasive sharpener of FIG. 1;

FIG. 3 is a right end elevational view of the abrasive sharpener of FIG. 1;

FIG. 4 is a bottom plan view of the abrasive sharpener of FIG. 1;

FIG. 5 is a top plan view of the abrasive sharpener of FIG. 1;

FIG. 6 is a rear elevational view of the abrasive sharpener of FIG. 1; and,

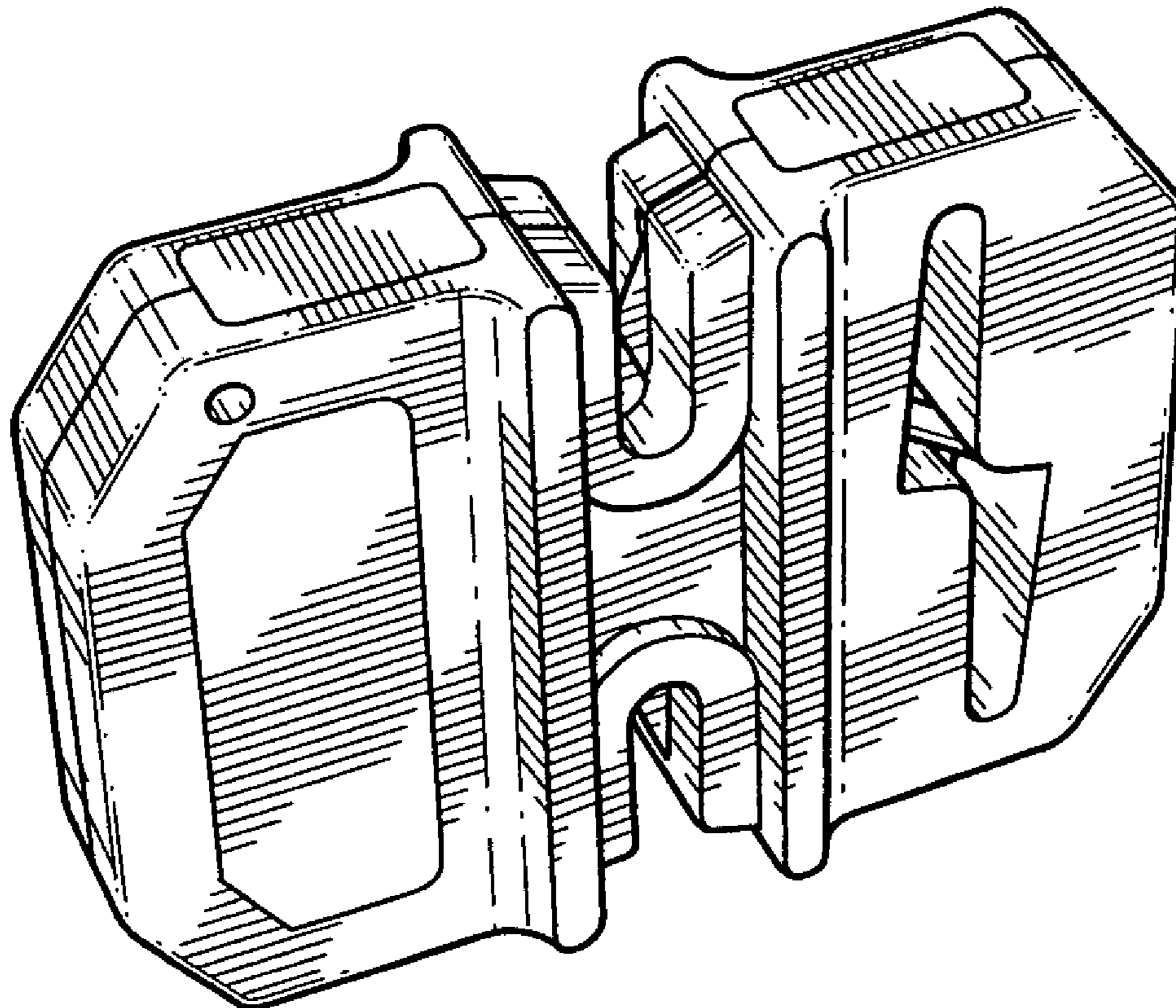
FIG. 7 is a front elevational view of the abrasive sharpener of FIG. 1.

(56) **References Cited**

U.S. PATENT DOCUMENTS

D264,176	S	*	5/1982	Linden	D8/93
D276,884	S	*	12/1984	Carter	D8/93
D277,166	S	*	1/1985	Call	D8/93
4,494,340	A	*	1/1985	Carter	451/555
4,530,188	A	*	7/1985	Graves	451/555
4,550,632	A	*	11/1985	Inman	76/86
D304,153	S	*	10/1989	Reichow	D8/93
D404,278	S	*	1/1999	Gore	D8/93

1 Claim, 4 Drawing Sheets



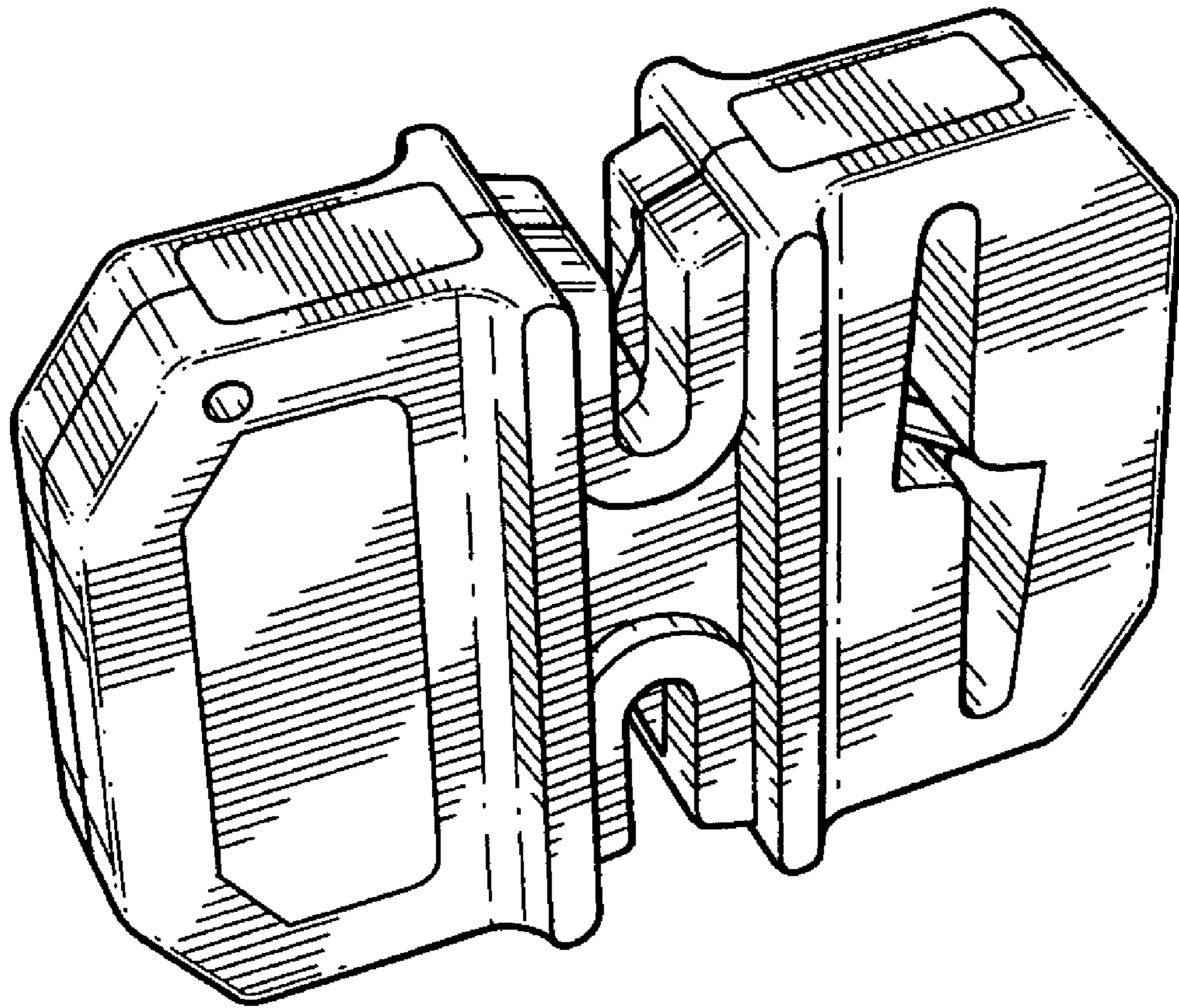


FIG. 1

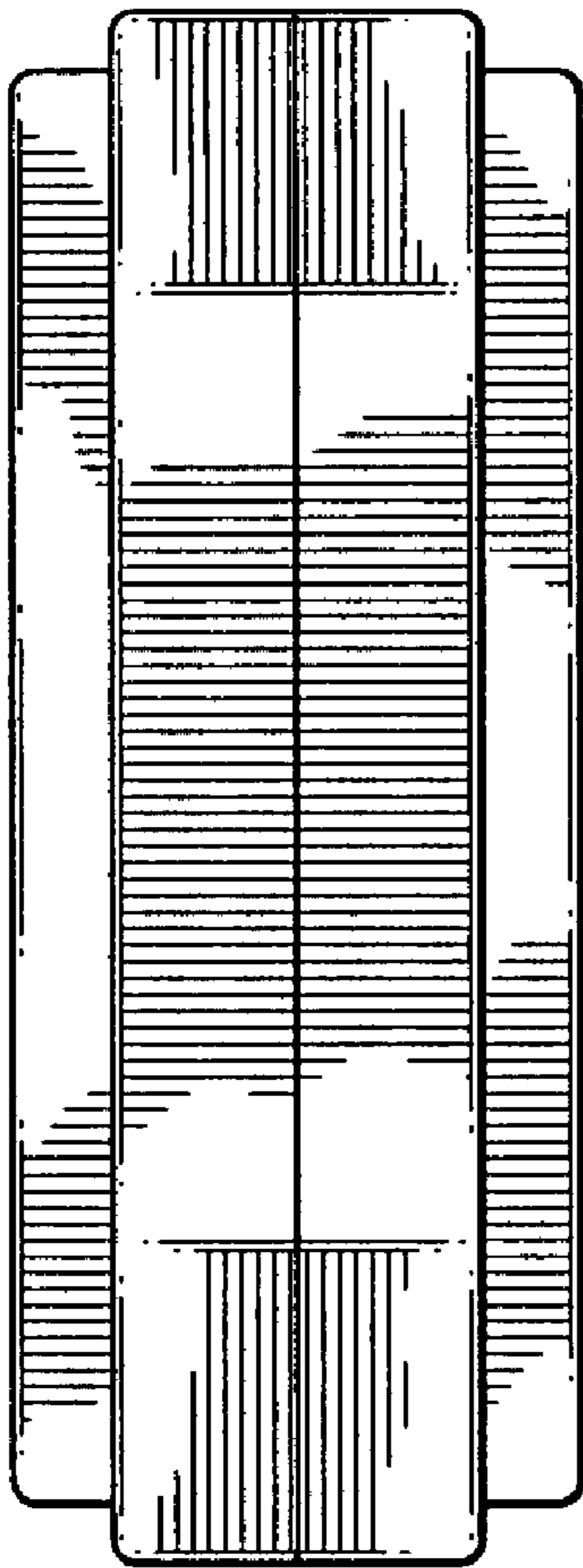


FIG. 2

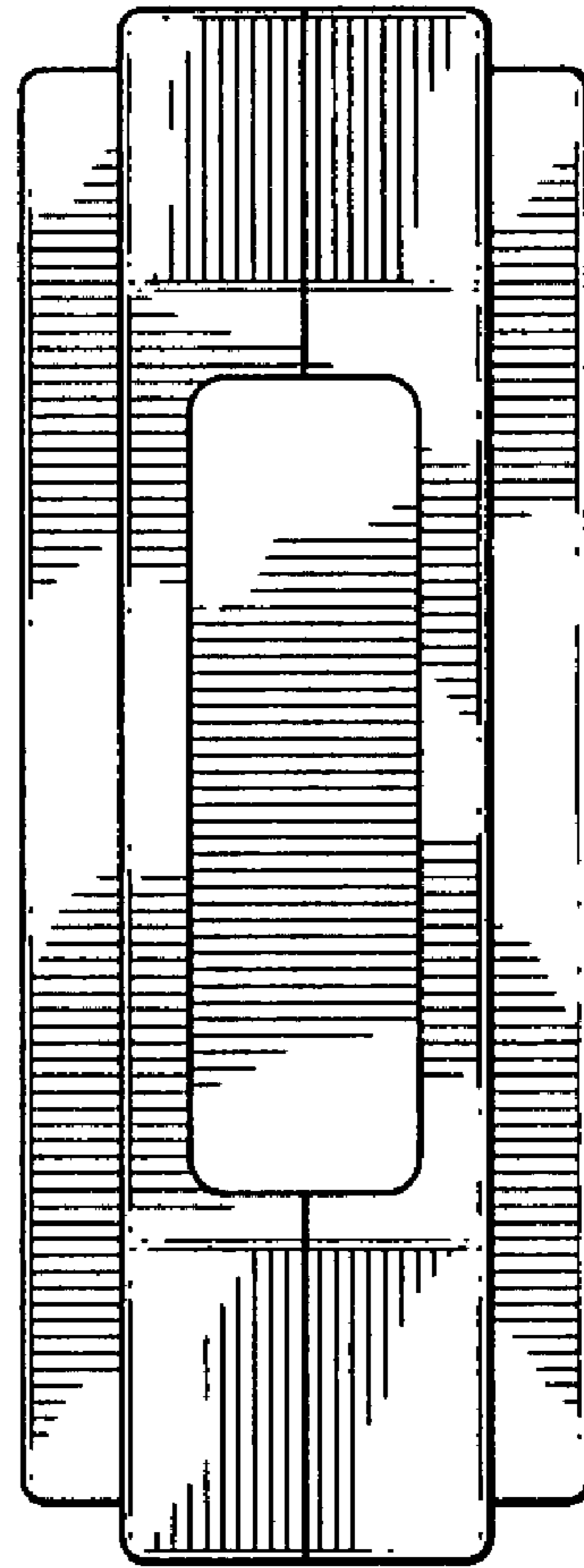


FIG. 3

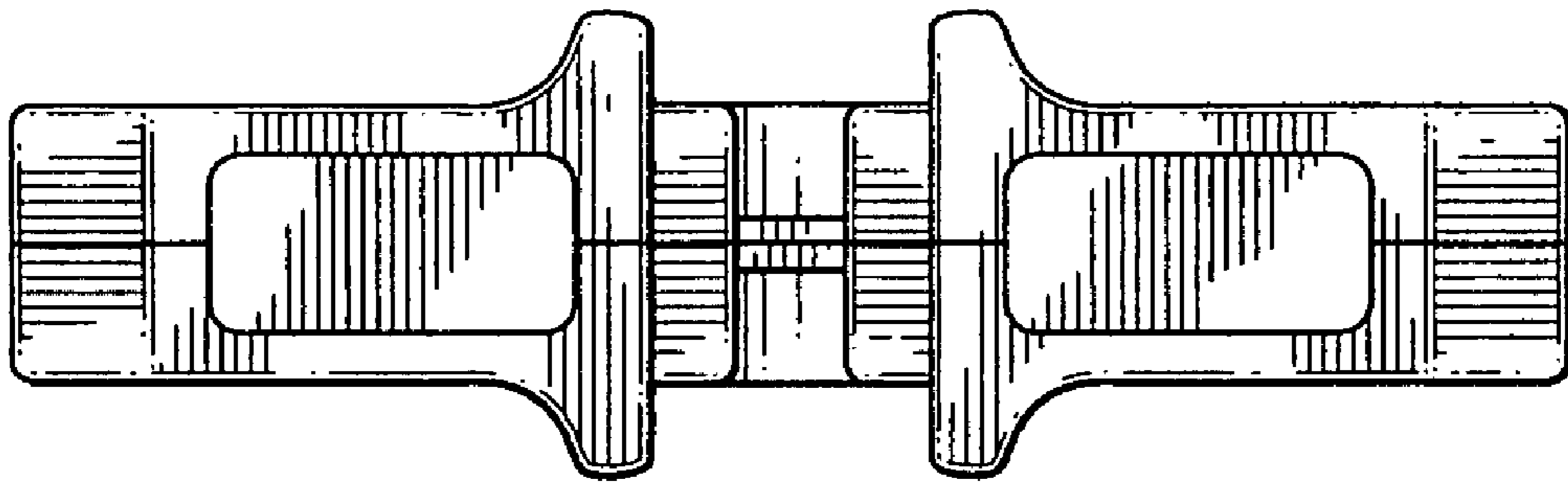


FIG. 4

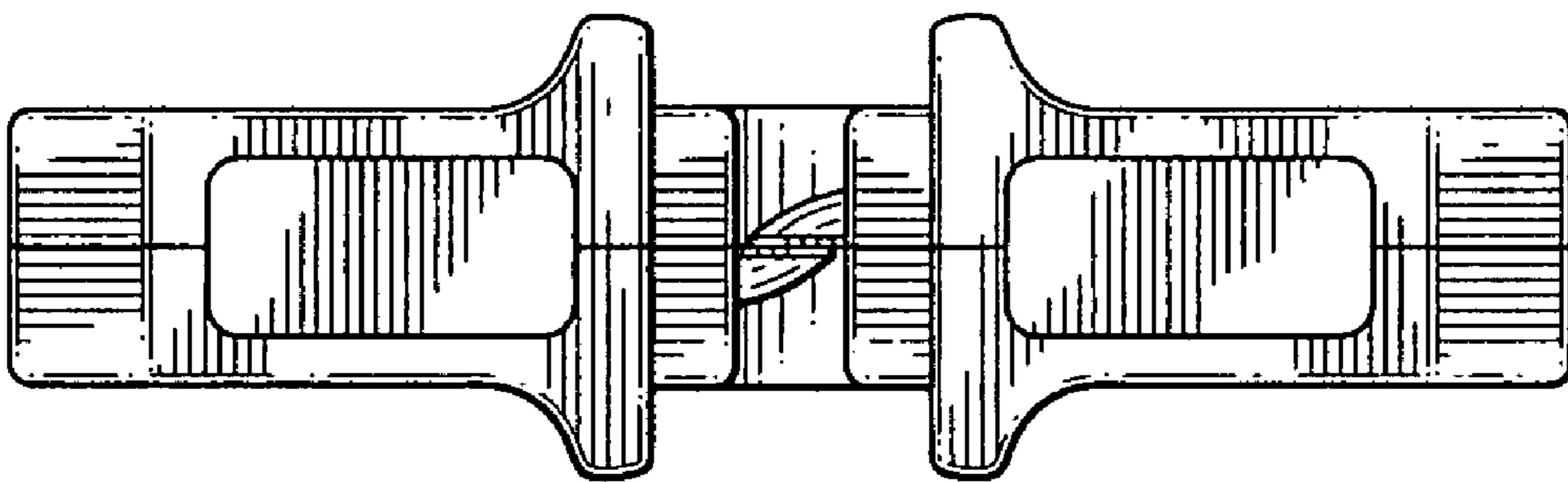


FIG. 5

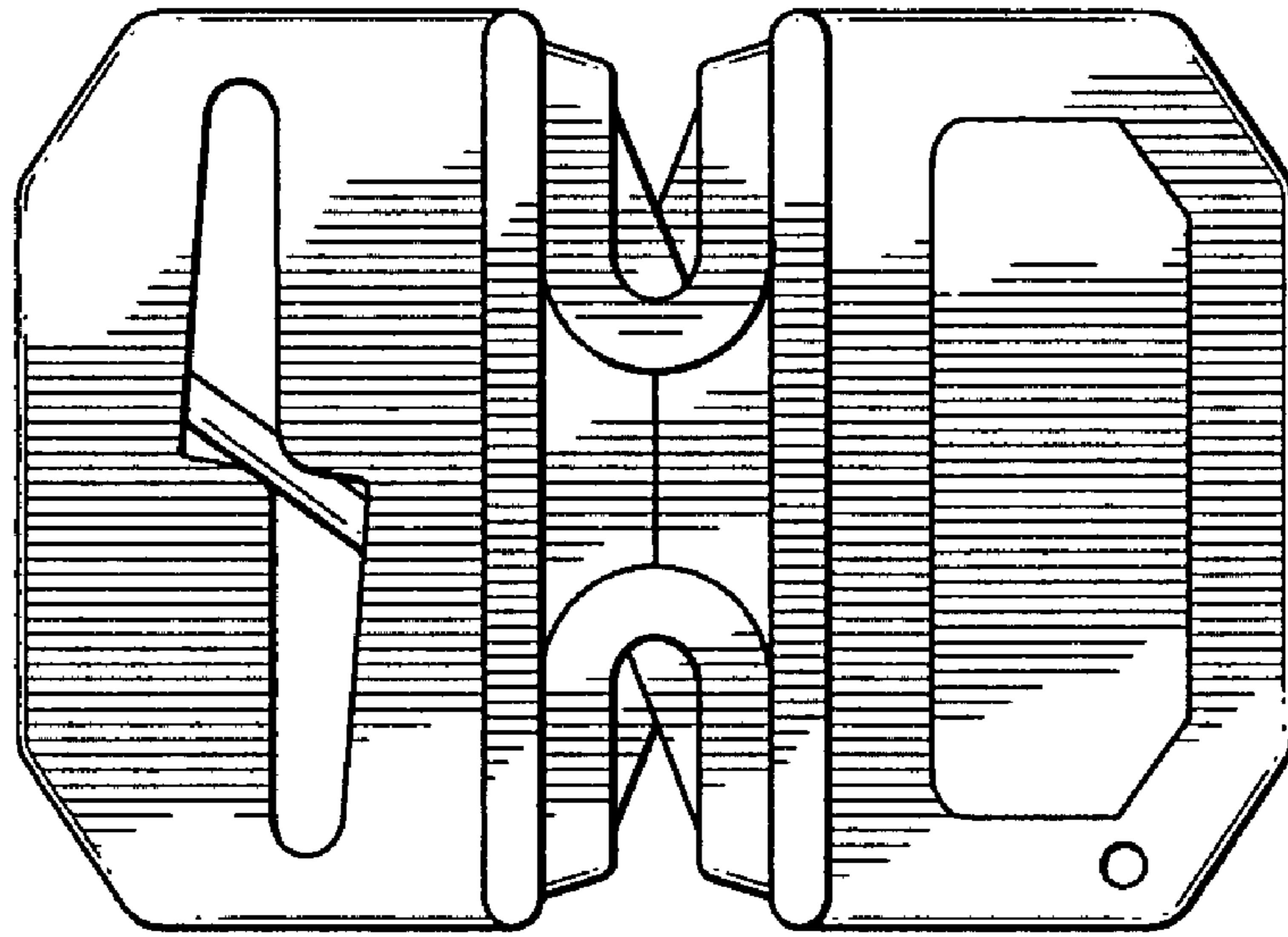


FIG. 6

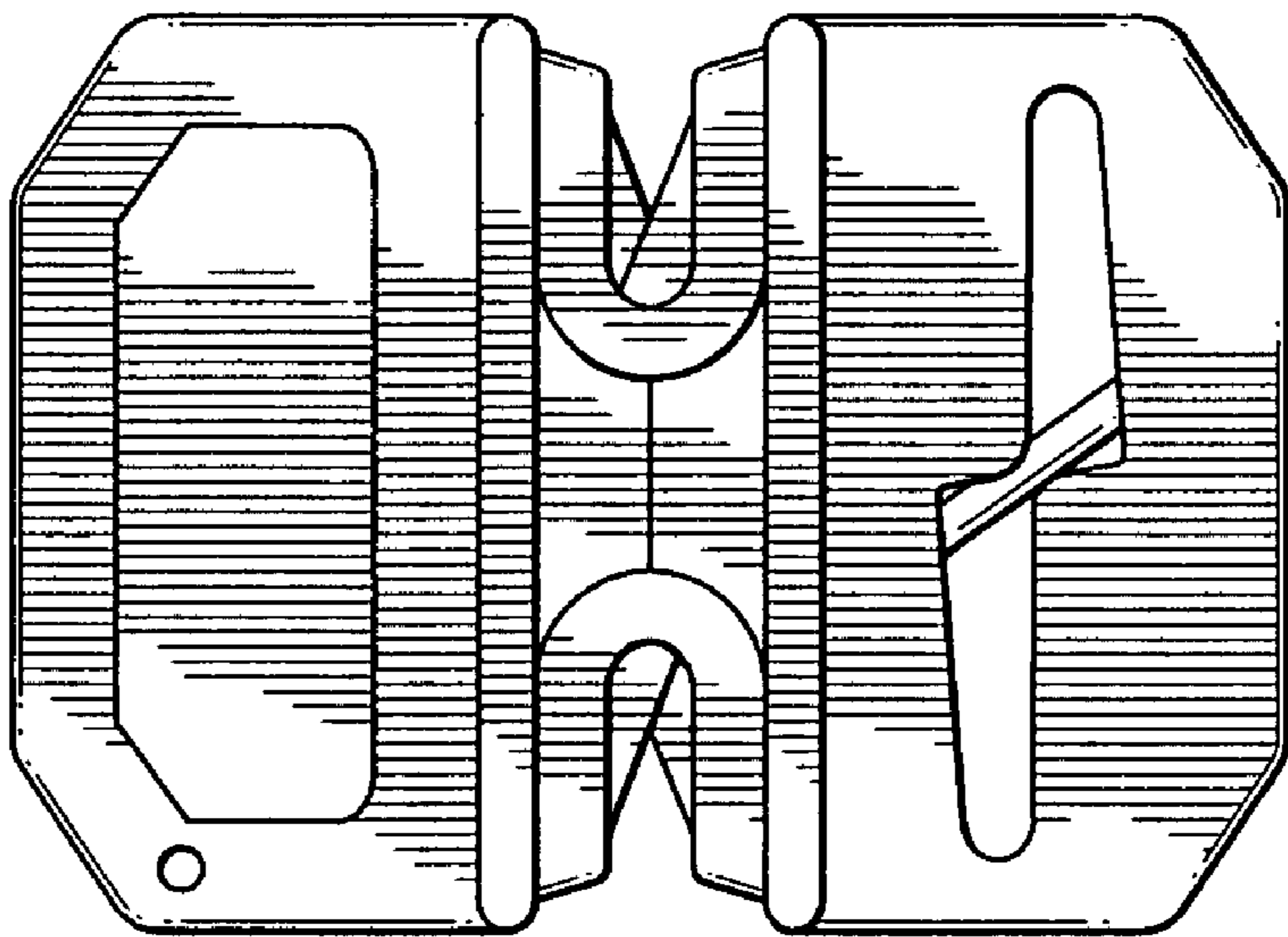


FIG. 7