



US00D575129S

(12) **United States Design Patent**  
**Clampitt, Jr. et al.**

(10) **Patent No.:** **US D575,129 S**

(45) **Date of Patent:** **\*\* Aug. 19, 2008**

(54) **SCREWDRIVER**

(76) Inventors: **Jess Vernon Clampitt, Jr.**, 4607 Forge Rd., Colorado Springs, CO (US) 80907;  
**Benjamin E. Orr**, 4607 Forge Rd., Colorado Springs, CO (US) 80907;  
**Jackie D. Stewart**, 4607 Forge Rd., Colorado Springs, CO (US) 80907

(\*\*) Term: **14 Years**

(21) Appl. No.: **29/249,861**

(22) Filed: **Oct. 24, 2006**

(51) **LOC (8) Cl.** ..... **08-04**

(52) **U.S. Cl.** ..... **D8/83**

(58) **Field of Classification Search** ..... D8/82,  
D8/84, 85, 86, 87, 107; 81/177.1, 489; 16/110.1;  
D1/26; D21/486, 487, 679

See application file for complete search history.

(56) **References Cited**

U.S. PATENT DOCUMENTS

3,344,457	A *	10/1967	Grobert	.....	15/207.2
5,071,384	A *	12/1991	Poulsen	.....	446/103
D347,665	S *	6/1994	Hatting	.....	D21/487
D372,351	S *	8/1996	Margolis	.....	D1/102
D409,677	S *	5/1999	Jensen	.....	D21/487
6,138,314	A *	10/2000	Schiff et al.	.....	15/167.1
D437,101	S *	2/2001	Debbouz et al.	.....	D1/126
D492,836	S *	7/2004	Lawrenson	.....	D1/199
D509,045	S *	9/2005	Buckley et al.	.....	D1/199
D538,507	S *	3/2007	Tansey et al.	.....	D1/125

\* cited by examiner

Primary Examiner—Philip S Hyder

(74) *Attorney, Agent, or Firm*—Locke Lord Bissell & Liddell LLP

(57) **CLAIM**

The ornamental design for a screwdriver, as shown and described.

**DESCRIPTION**

FIG. 1 is a perspective view of a screwdriver, the screwdriver having a handle with an inner structure disposed within an outer unclaimed portion of the handle, the inner structure being visible from outside the outer unclaimed portion of the handle.

FIG. 2 is a perspective view from a second end of the screwdriver, distal from the shaft end of FIG. 1.

FIG. 3 is a side view of the screwdriver according the orientation shown in FIG. 5 with an opposite side being a mirror image.

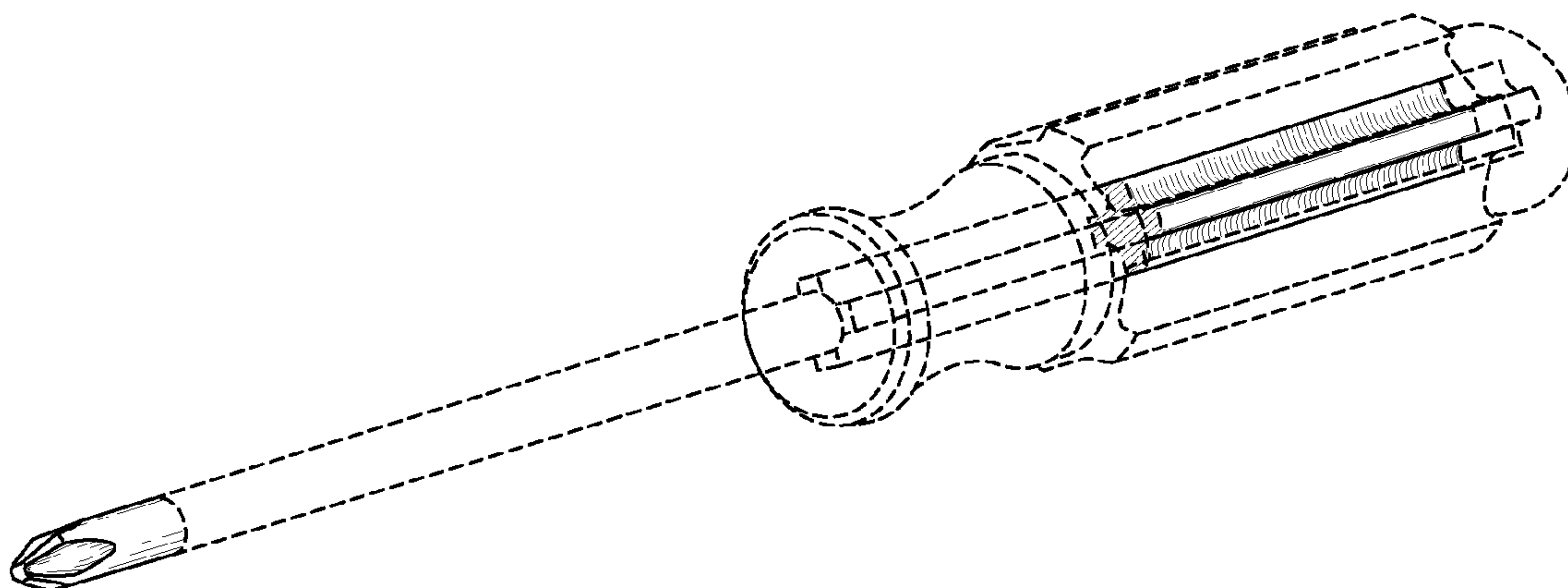
FIG. 4 is a top view of the screwdriver according the orientation shown in FIG. 5 with a bottom view being a mirror image.

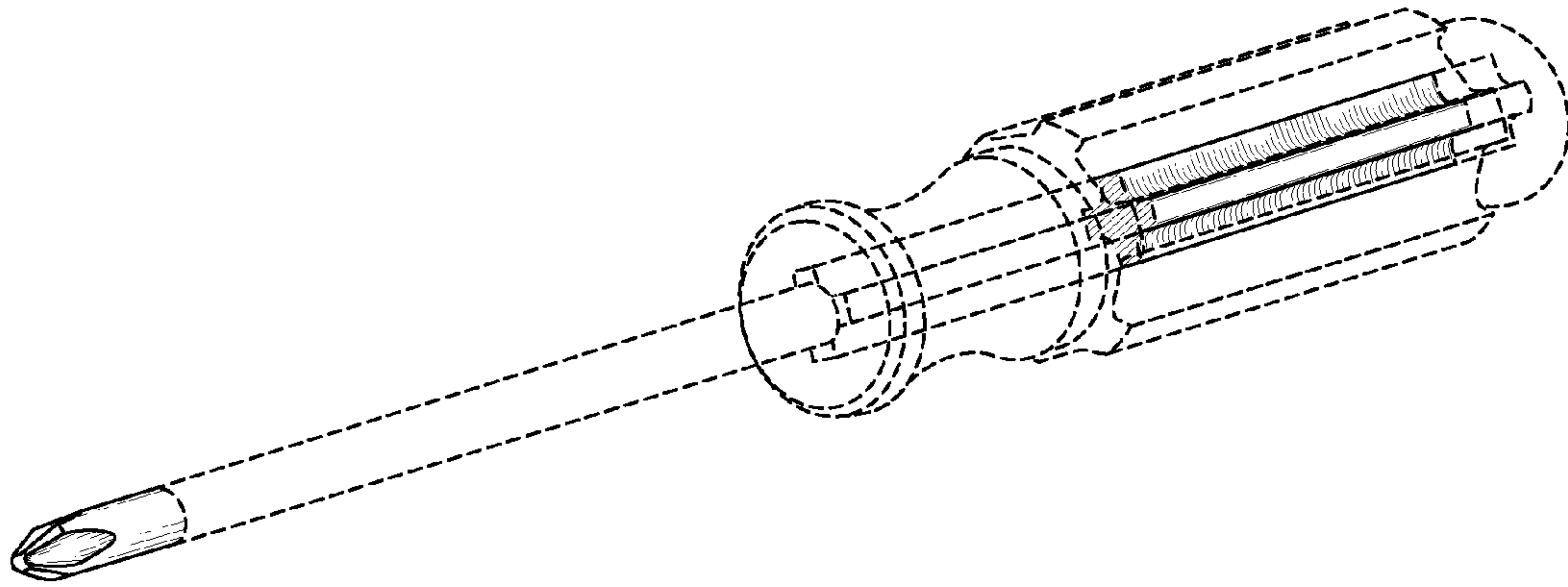
FIG. 5 is a view of the second end of the screwdriver, showing the inner structure; and,

FIG. 6 is a view of the shaft end of the screwdriver.

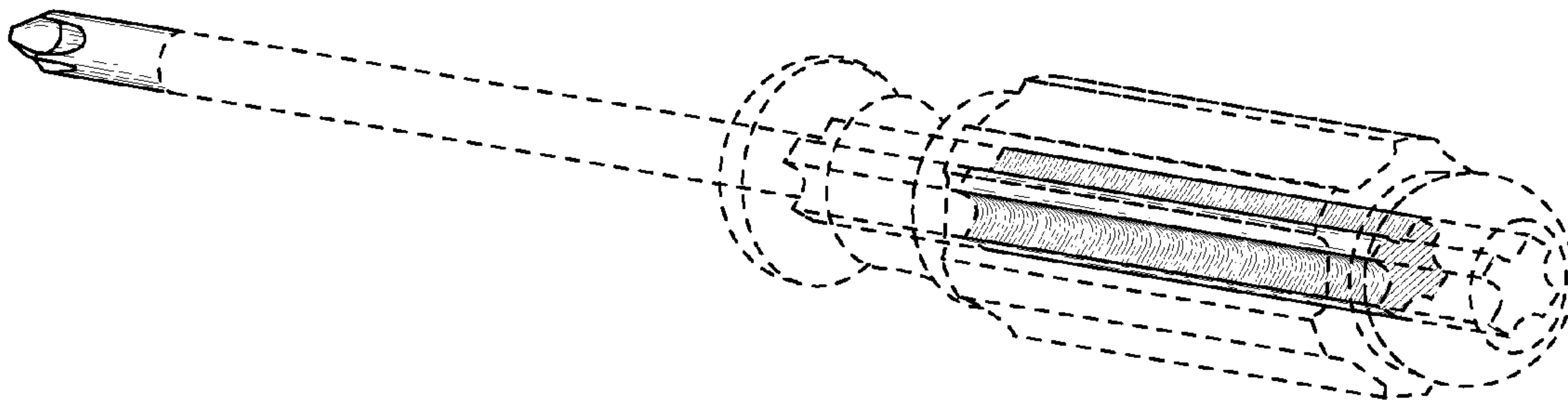
The broken lines in FIGS. 1–6 are for illustrative purposes only and form no part of the claimed design.

**1 Claim, 2 Drawing Sheets**





**FIG. 1**



**FIG. 2**

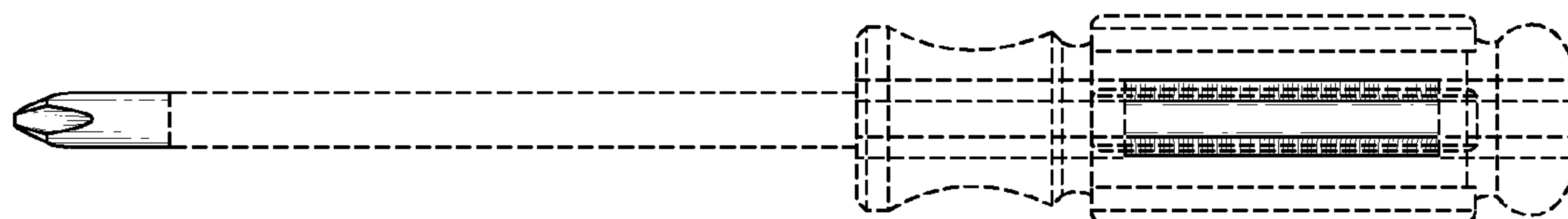


FIG. 3

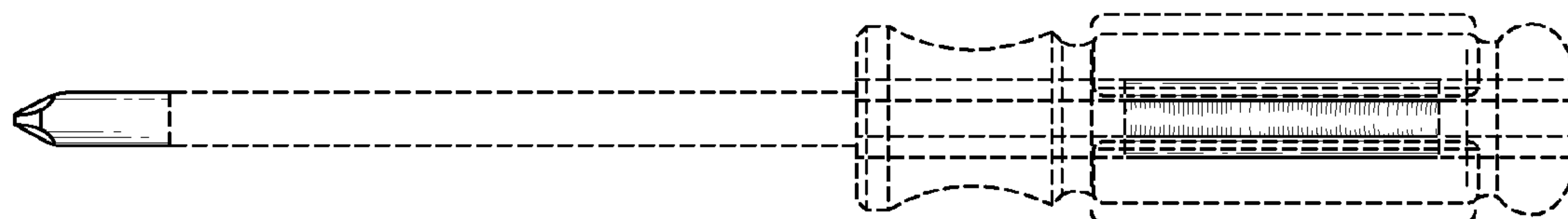


FIG. 4

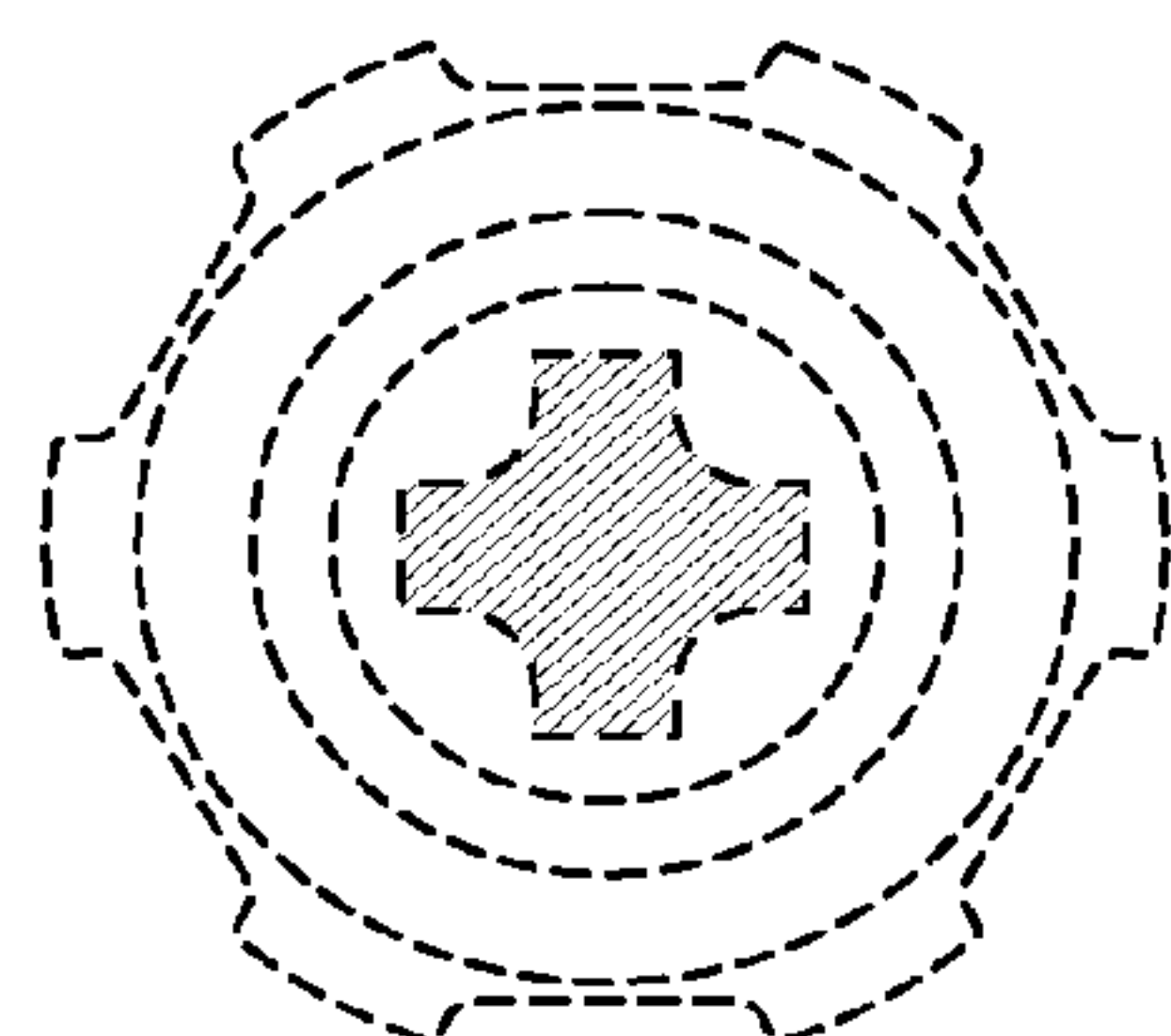


FIG. 5

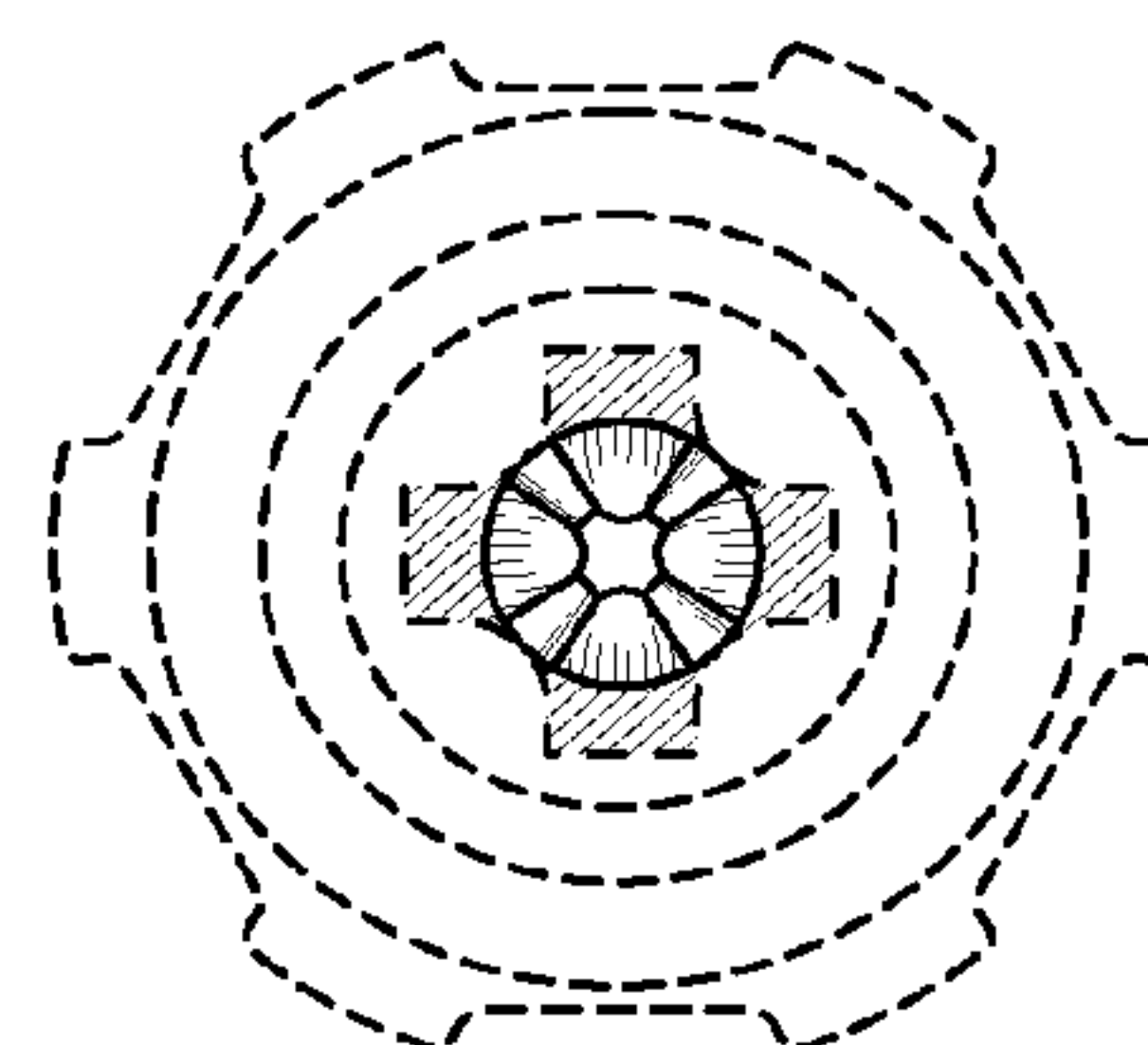


FIG. 6