



US00D575128S

(12) **United States Design Patent**
Clampitt, Jr. et al.

(10) **Patent No.:** **US D575,128 S**
(45) **Date of Patent:** **** Aug. 19, 2008**

(54) **SCREWDRIVER**

(76) Inventors: **Jess Vernon Clampitt, Jr.**, 4607 Forge Rd., Colorado Springs, CO (US) 80907;
Benjamin E. Orr, 4607 Forge Rd., Colorado Springs, CO (US) 80907;
Jackie D. Stewart, 4607 Forge Rd., Colorado Springs, CO (US) 80907

(**) Term: **14 Years**

(21) Appl. No.: **29/249,863**

(22) Filed: **Oct. 24, 2006**

(51) **LOC (8) Cl.** **08-04**

(52) **U.S. Cl.** **D8/82; D8/83**

(58) **Field of Classification Search** D8/82, D8/84, 85, 86, 87, 107; 81/177.1, 489; 16/110.1
See application file for complete search history.

(56) **References Cited**

U.S. PATENT DOCUMENTS

3,093,172	A *	6/1963	Reed	81/489
3,955,451	A *	5/1976	Lohness	81/177.1
D261,980	S *	11/1981	Fee et al.	D8/82
4,621,821	A *	11/1986	Schneider	279/83
D347,780	S *	6/1994	Hreha	D8/80
5,877,905	A *	3/1999	Schwartz	359/846
D409,068	S *	5/1999	Chen	D8/80
D411,428	S *	6/1999	Scott	D8/83
D430,784	S *	9/2000	Shiao	D8/82
6,921,402	B2 *	7/2005	Contiliano et al.	606/73

* cited by examiner

Primary Examiner—Philip S Hyder

(74) *Attorney, Agent, or Firm*—Locke Lord Bissell & Liddell LLP

(57) **CLAIM**

The ornamental design for a screwdriver, as shown and described.

DESCRIPTION

FIG. 1 is a perspective view of a screwdriver, the screwdriver having a handle with an inner structure disposed within an outer unclaimed portion of the handle, the inner structure being visible from outside the outer unclaimed portion of the handle.

FIG. 2 is a perspective view from a second end of the screwdriver, distal from the shaft end of FIG. 1.

FIG. 3 is a side view of the screwdriver according the orientation shown in FIG. 5 with an opposite side being a mirror image.

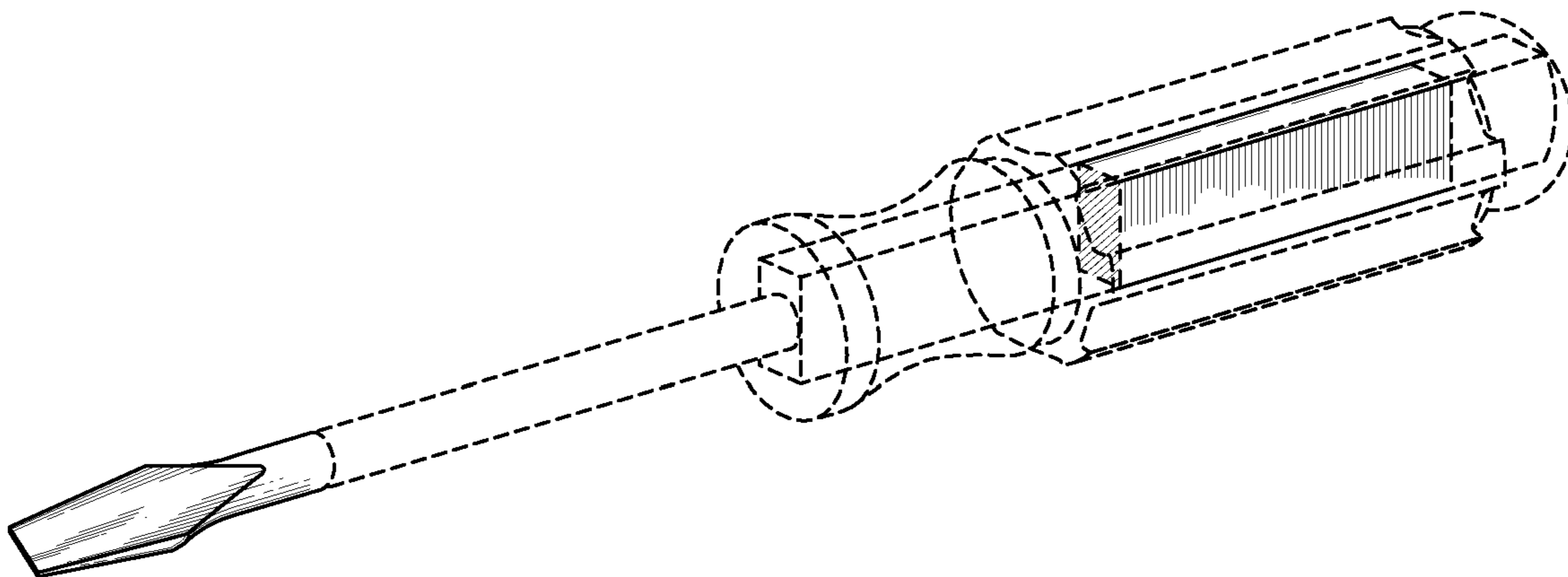
FIG. 4 is a top view of the screwdriver according the orientation shown in FIG. 5 with a bottom view being a mirror image.

FIG. 5 is a view of the second end of the screwdriver, showing the inner structure; and,

FIG. 6 is a view of the shaft end of the screwdriver.

The broken lines in FIGS. 1–6 are for illustrative purposes only and form no part of the claimed design.

1 Claim, 2 Drawing Sheets



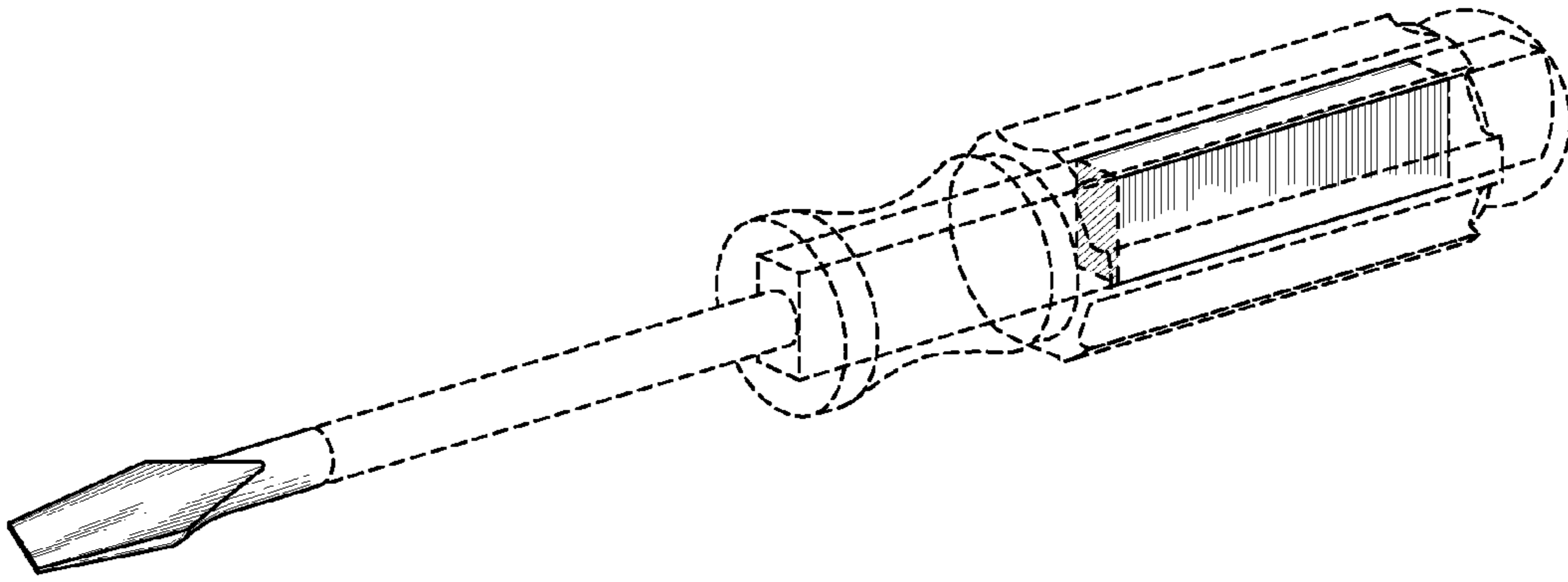


FIG. 1

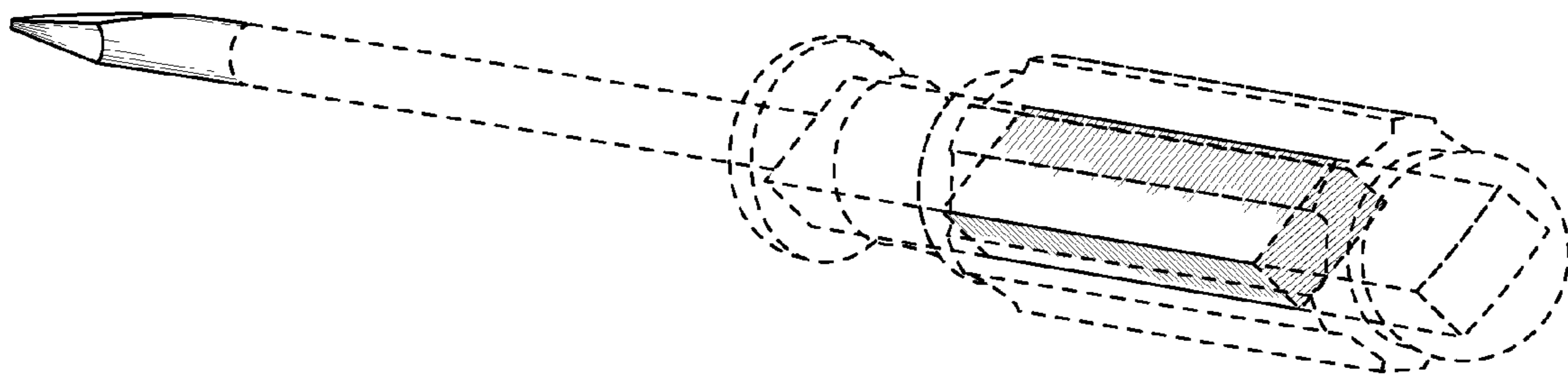


FIG. 2

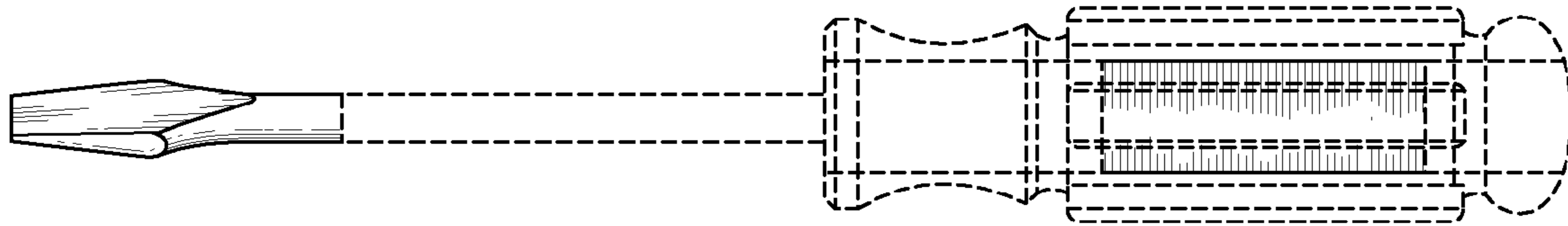


FIG. 3

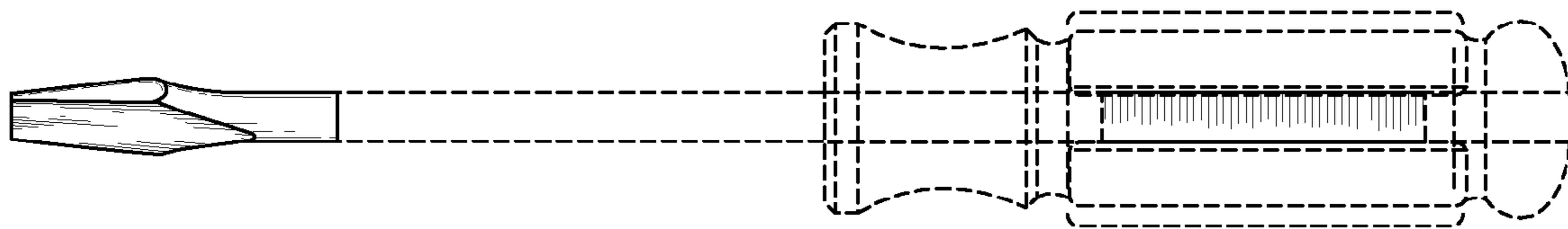


FIG. 4

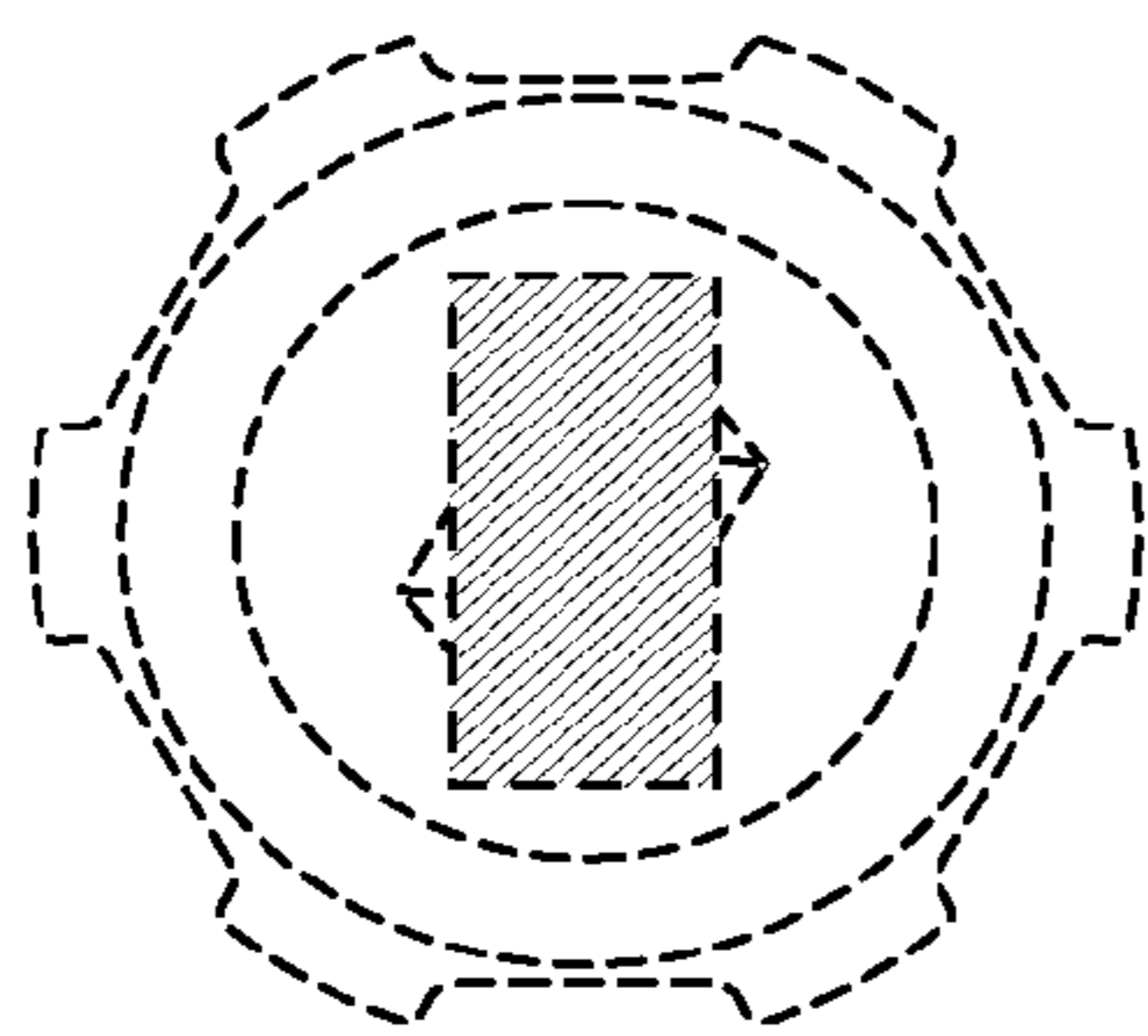


FIG. 5

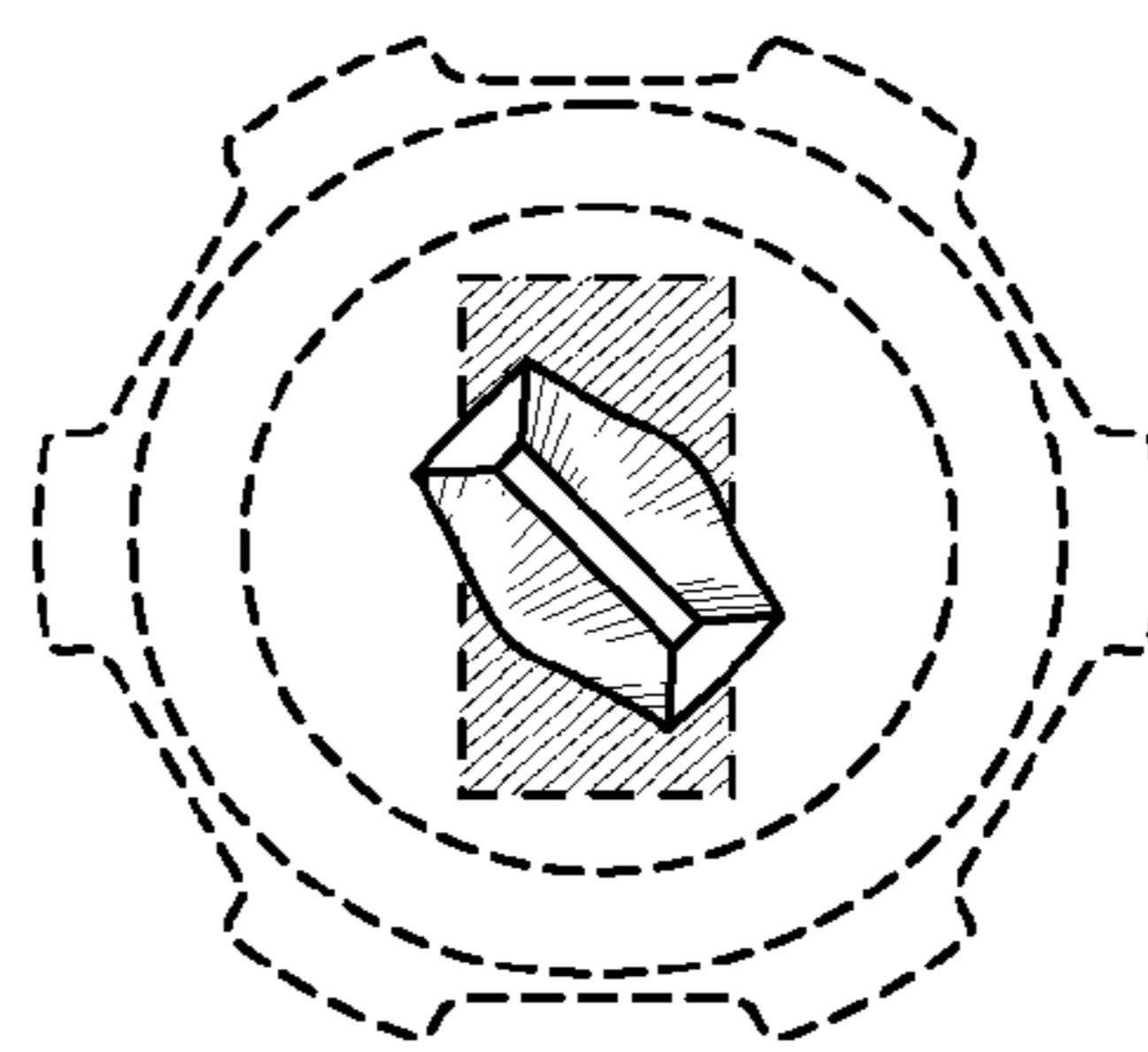


FIG. 6