



US00D575127S

(12) **United States Design Patent**
Buck

(10) **Patent No.:** **US D575,127 S**

(45) **Date of Patent:** **** Aug. 19, 2008**

(54) **FASTENING TOOL**

(75) Inventor: **John E. Buck**, Cockeysville, MD (US)

(73) Assignee: **Black & Decker Inc.**, Newark, DE (US)

(**) Term: **14 Years**

(21) Appl. No.: **29/288,395**

(22) Filed: **Jun. 8, 2007**

(51) **LOC (8) Cl.** **08-05**

(52) **U.S. Cl.** **D8/69**

(58) **Field of Classification Search** D8/14.1,
D8/61, 62, 63, 64, 65, 66, 67, 68, 69, 70;
81/57.11, 429, 454, 455, 456, 469, 489; 173/13,
173/104, 114, 168, 169, 170, 171, 178, 201,
173/211, 213, 217; 408/20, 124, 125, 234,
408/241 R; 451/358; 310/50; 227/8, 113,
227/114, 120, 130, 136, 142

See application file for complete search history.

(56) **References Cited**

U.S. PATENT DOCUMENTS

5,322,189	A *	6/1994	Oda	227/120
D416,182	S *	11/1999	Kaiser et al.	D8/69
6,186,386	B1 *	2/2001	Canlas et al.	227/8
6,189,759	B1 *	2/2001	Canlas et al.	227/120
D447,031	S *	8/2001	Oh	D8/63
6,371,348	B1 *	4/2002	Canlas et al.	227/8
D461,694	S *	8/2002	Buck	D8/68
6,431,429	B1 *	8/2002	Canlas et al.	227/8
6,494,355	B2 *	12/2002	Adachi et al.	227/120
D477,759	S *	7/2003	Buck	D8/68
D477,976	S *	8/2003	Liu	D8/68
6,609,646	B2 *	8/2003	Miller et al.	227/8
D499,623	S *	12/2004	Buck	D8/68
D514,911	S *	2/2006	Thomas et al.	D8/69

D540,136	S *	4/2007	Aguirre et al.	D8/69
D549,062	S *	8/2007	Buck	D8/69
D551,931	S *	10/2007	Leasure	D8/69
D553,931	S *	10/2007	Buck	D8/68
D556,003	S *	11/2007	Buck	D8/69
D562,664	S *	2/2008	Buck	D8/69
2001/0030218	A1 *	10/2001	Adachi et al.	227/120
2002/0104868	A1 *	8/2002	Miller et al.	227/8
2002/0117532	A1 *	8/2002	Miller et al.	227/120
2003/0218044	A1 *	11/2003	Laubach et al.	227/120
2004/0020966	A1 *	2/2004	Miller et al.	227/120
2005/0001007	A1 *	1/2005	Butzen et al.	227/130
2005/0092806	A1 *	5/2005	Miller et al.	227/130
2006/0213947	A1 *	9/2006	Bo-Seob et al.	227/130
2006/0249554	A1 *	11/2006	Butzen et al.	227/130
2007/0075113	A1 *	4/2007	Tillinghast et al.	227/130
2007/0095875	A1 *	5/2007	Lamb	227/130
2007/0277990	A1 *	12/2007	Steinbrunner et al.	173/170

* cited by examiner

Primary Examiner—T. Chase Nelson

(74) *Attorney, Agent, or Firm*—Scott B. Markow; Adan Ayala

(57) **CLAIM**

The ornamental design for a fastening tool, as shown and described.

DESCRIPTION

FIG. 1 is a top/right perspective view of the fastening tool.

FIG. 2 is a front view thereof.

FIG. 3 is a back view thereof.

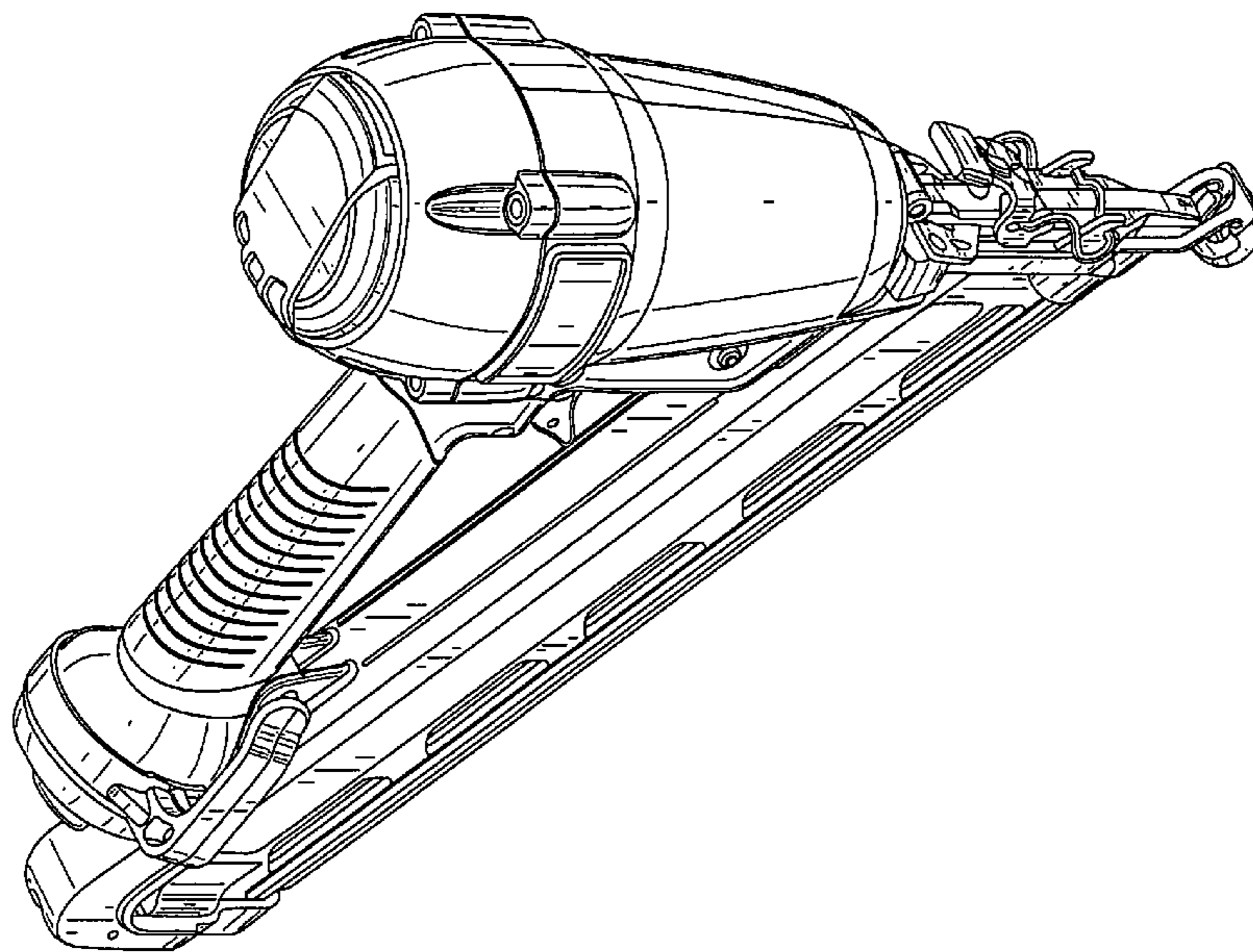
FIG. 4 is a right view thereof.

FIG. 5 is a left view thereof.

FIG. 6 is a top view thereof; and,

FIG. 7 is a bottom view thereof.

1 Claim, 5 Drawing Sheets



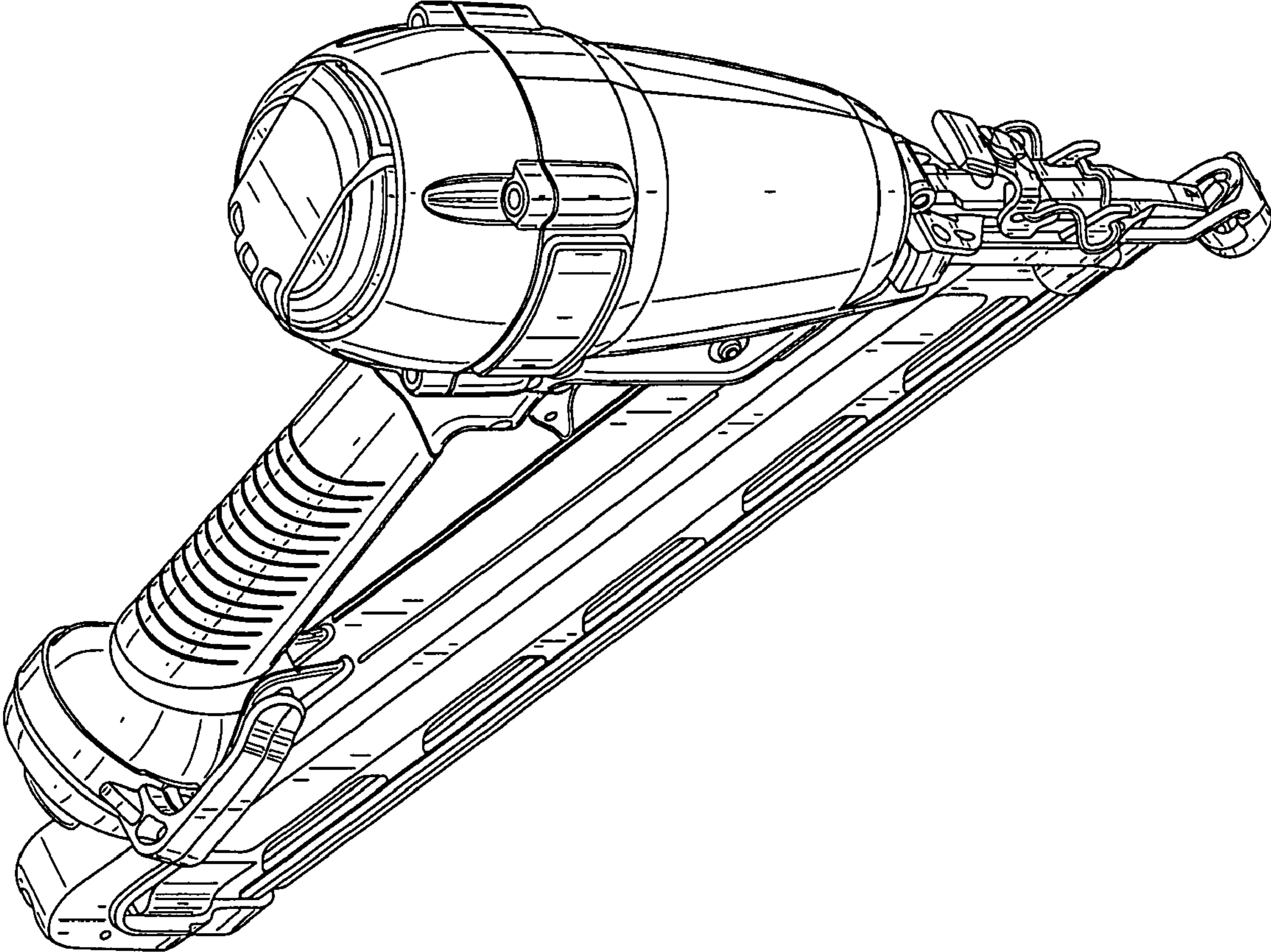


FIG. 1

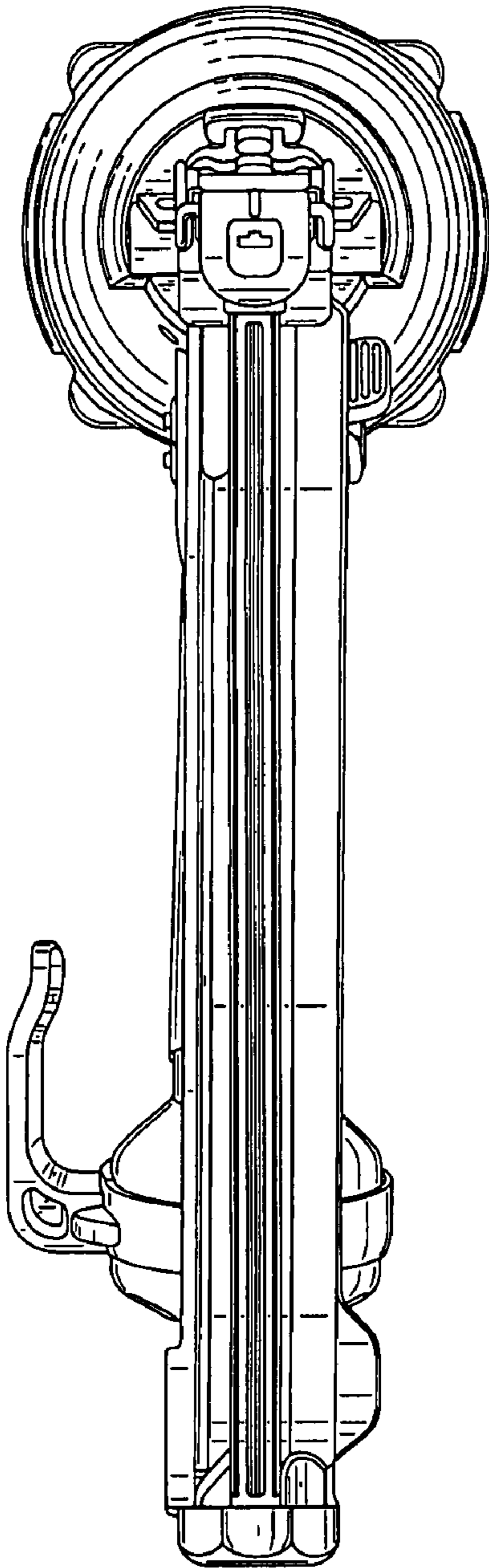


FIG. 2

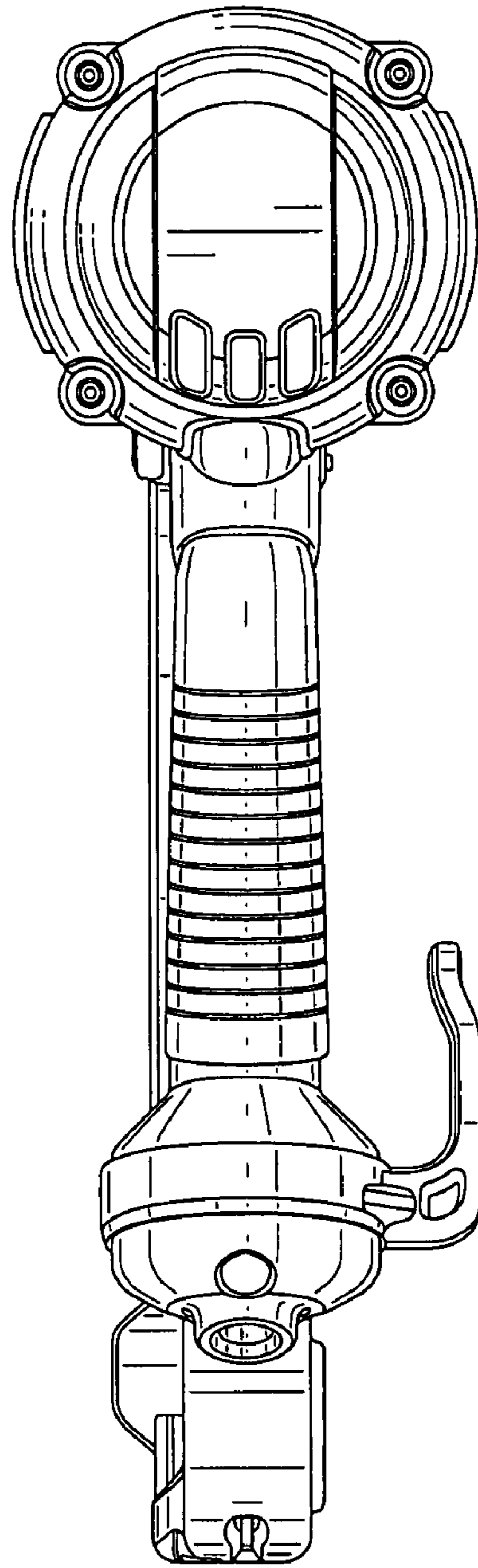


FIG. 3

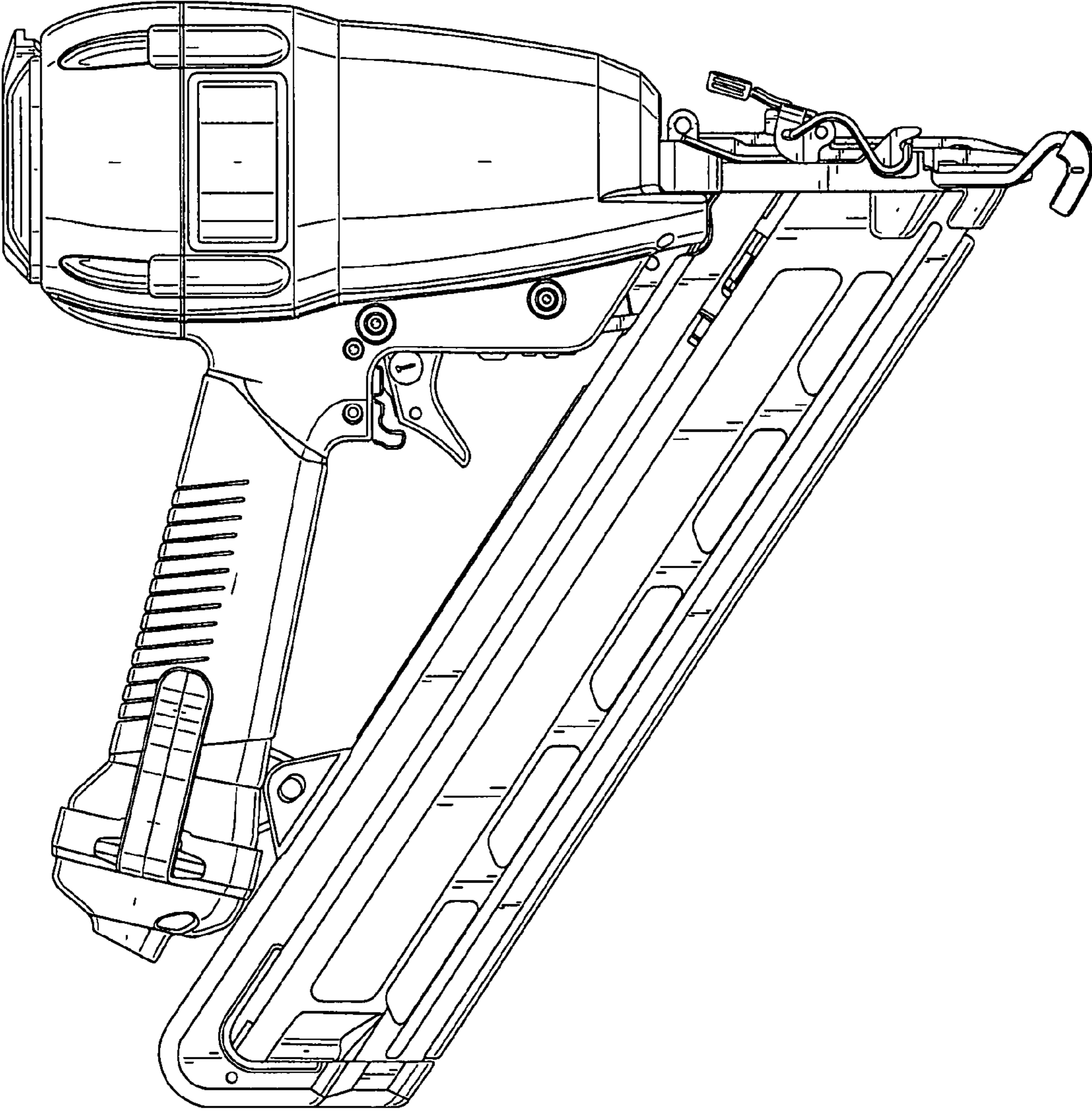


FIG. 4

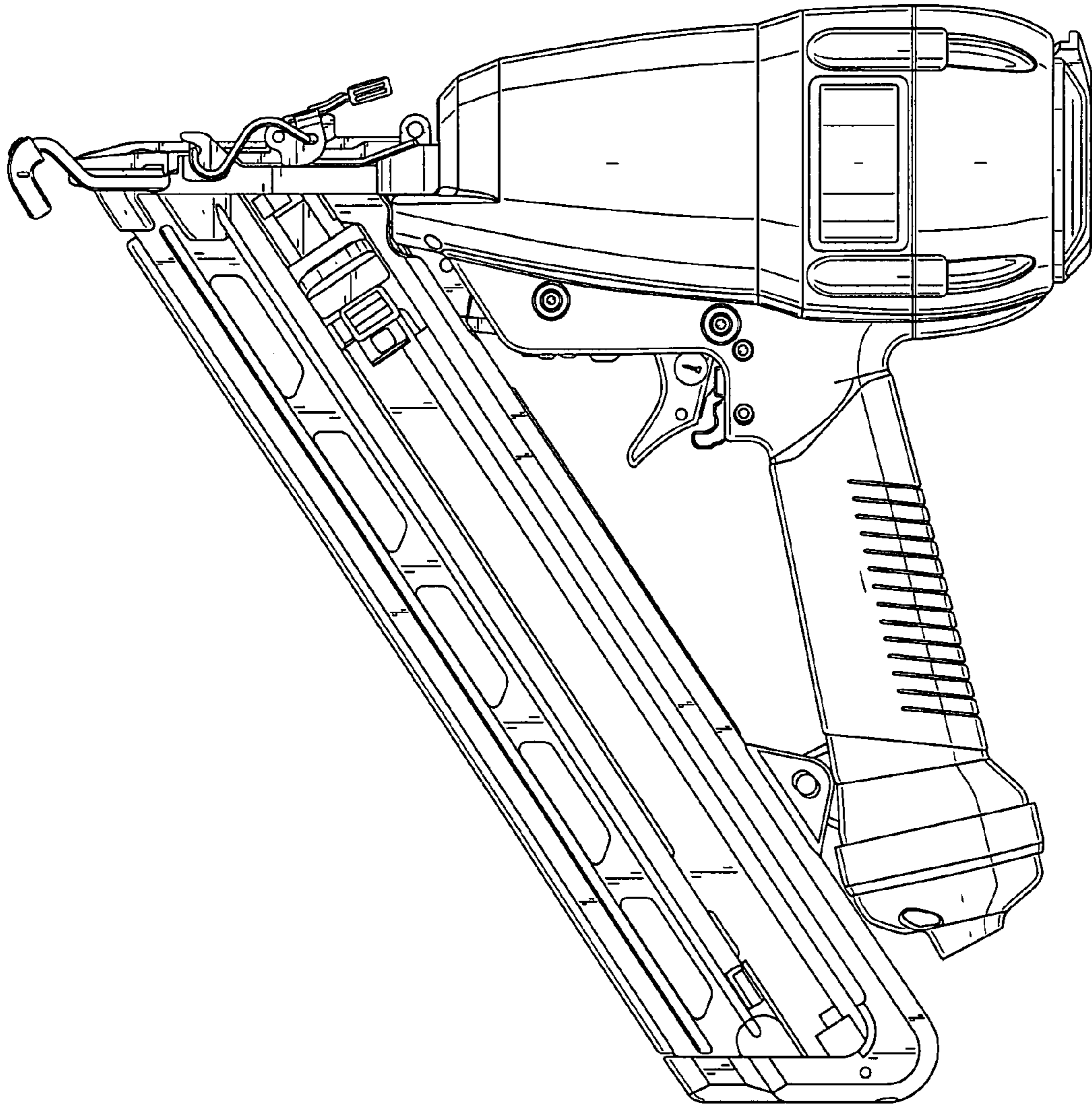


FIG. 5

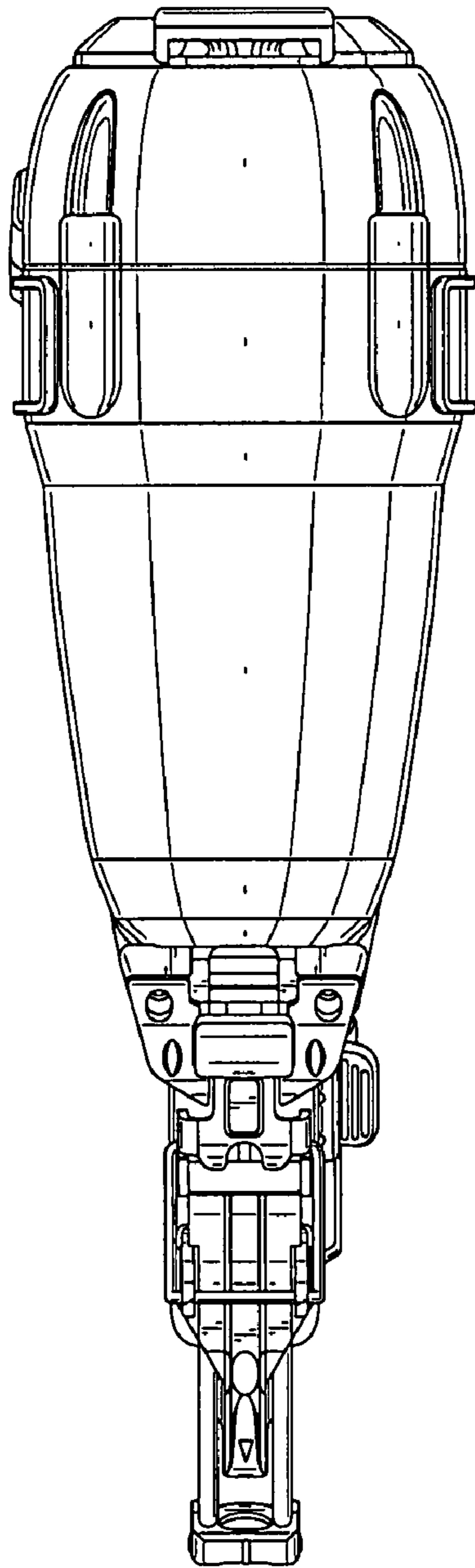


FIG. 6

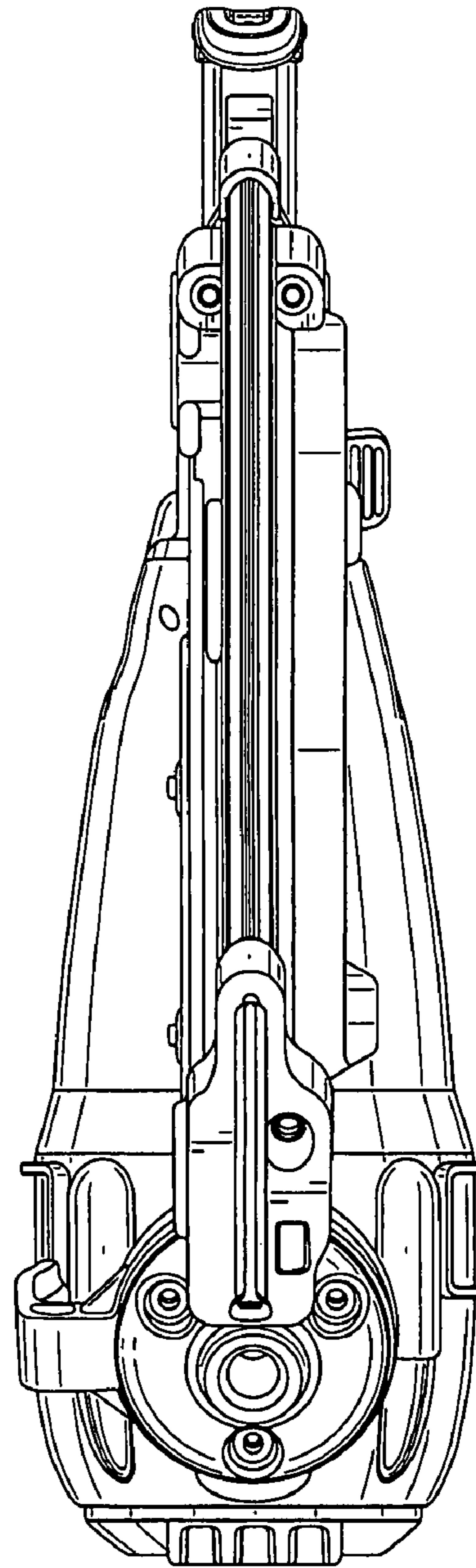


FIG. 7