



US00D575126S

(12) **United States Design Patent**
Farris Maple et al.

(10) **Patent No.:** **US D575,126 S**
(45) **Date of Patent:** **** Aug. 19, 2008**

(54) **CIRCULAR SAW**

(75) Inventors: **Wade Andrew Farris Maple**, Carthage, MO (US); **Alan Benjamin Christopher Dixon**, Palm Beach Gardens, FL (US)

(73) Assignee: **Roofmates, Inc.**, Severn, MD (US)

(**) Term: **14 Years**

(21) Appl. No.: **29/299,689**

(22) Filed: **Jan. 2, 2008**

Related U.S. Application Data

(63) Continuation-in-part of application No. 29/259,361, filed on May 5, 2006, now Pat. No. Des. 562,662.

(51) **LOC (8) Cl.** **08-03**

(52) **U.S. Cl.** **D8/66**

(58) **Field of Classification Search** D8/69, D8/68, 67, 66, 64, 61, 70; 83/698.41, 747; 30/166.3, 374, 373, 375, 376, 391, 377, 390, 30/388, 389; 125/13.01; 144/218
See application file for complete search history.

(56) **References Cited**

U.S. PATENT DOCUMENTS

D390,081 S *	2/1998	Price et al.	D8/66
D427,872 S *	7/2000	Snider	D8/66
6,543,143 B2 *	4/2003	Moore et al.	30/391
D488,977 S *	4/2004	Evans	D8/66
6,889,439 B2 *	5/2005	Koukal et al.	30/377
D520,319 S *	5/2006	Aglassinger	D8/66
D520,830 S *	5/2006	Suzuki et al.	D8/66
D520,831 S *	5/2006	Okada et al.	D8/66

D521,336 S *	5/2006	Heun	D8/66
D527,599 S *	9/2006	Ng	D8/66
D531,473 S *	11/2006	Lopano	D8/66

* cited by examiner

Primary Examiner—Cathron Brooks

Assistant Examiner—Austin Murphy

(74) *Attorney, Agent, or Firm*—Robert Platt Bell

(57) **CLAIM**

The ornamental design for the circular saw, substantially as shown and described.

DESCRIPTION

FIG. 1 is a right side plan view of the circular saw of the present invention.

FIG. 2 is a left side plan view of the circular saw of the present invention.

FIG. 3 is a bottom side view of the circular saw of the present invention.

FIG. 4 is a top view of the circular saw of the present invention.

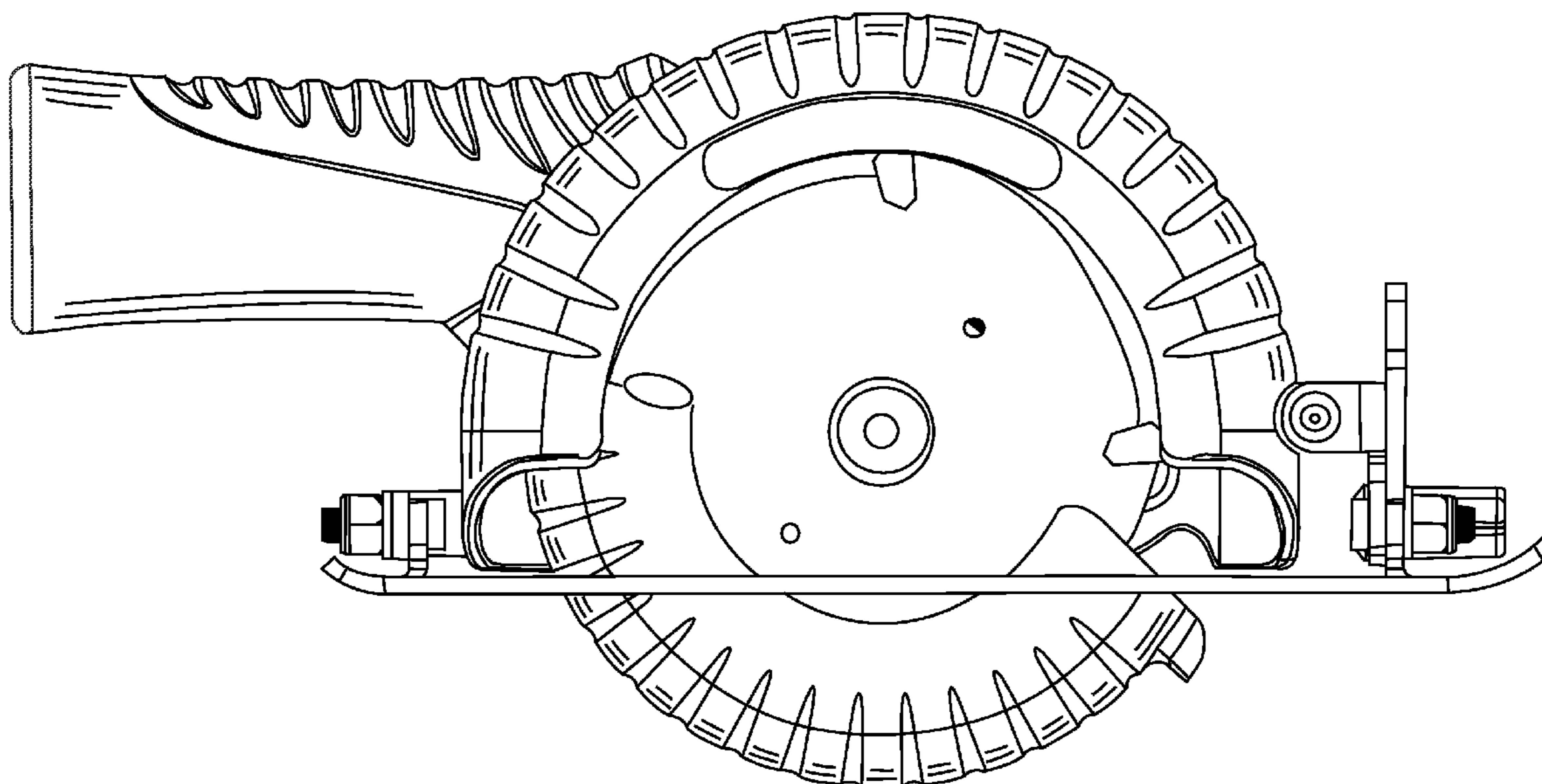
FIG. 5 is a rear elevational view of the circular saw of the present invention.

FIG. 6 is a front view of the circular saw of the present invention.

FIG. 7 is a rear perspective view of the circular saw of the present invention; and,

FIG. 8 is a front perspective view of the circular saw of the present invention.

1 Claim, 8 Drawing Sheets



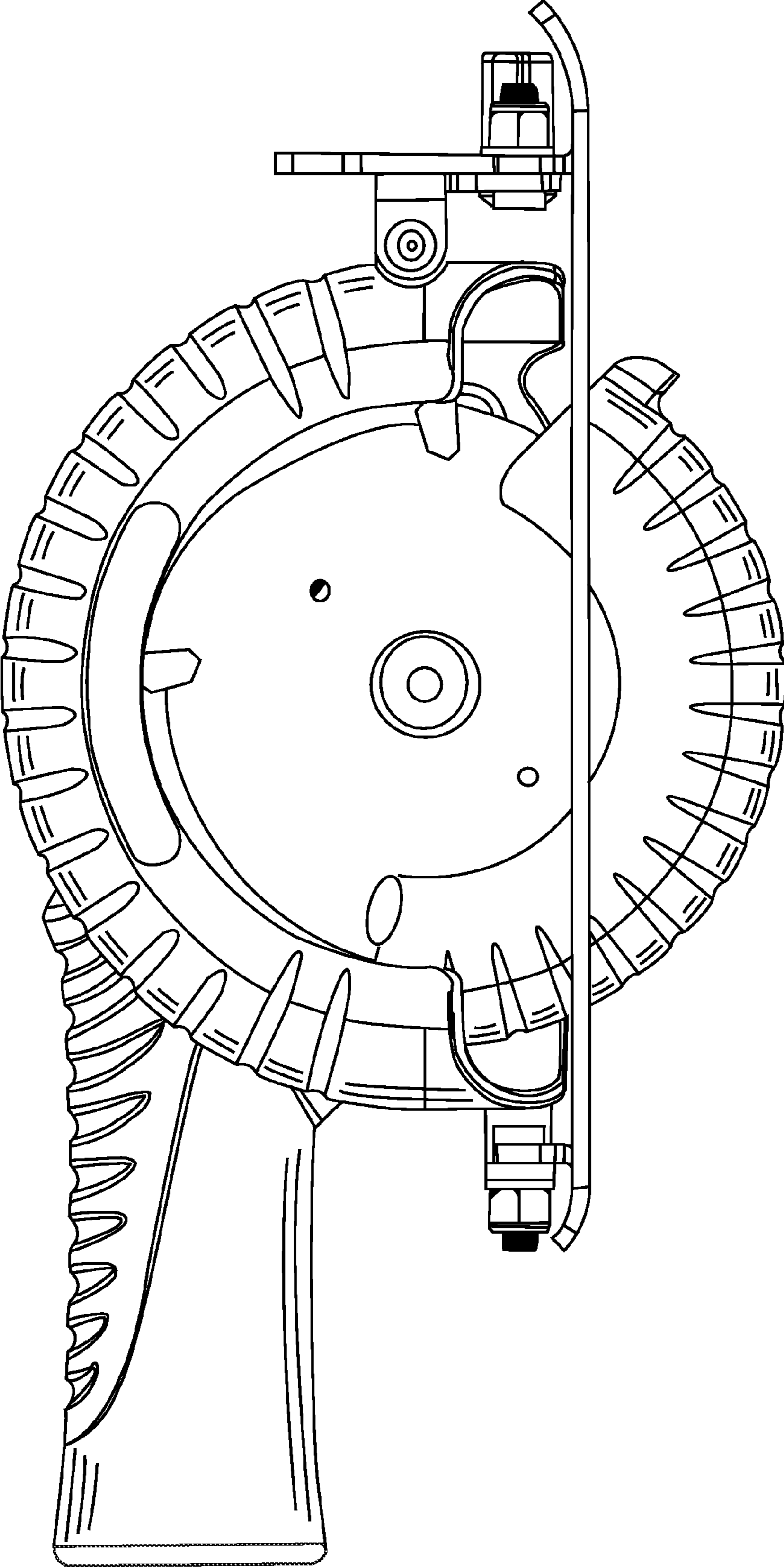


FIG. 1

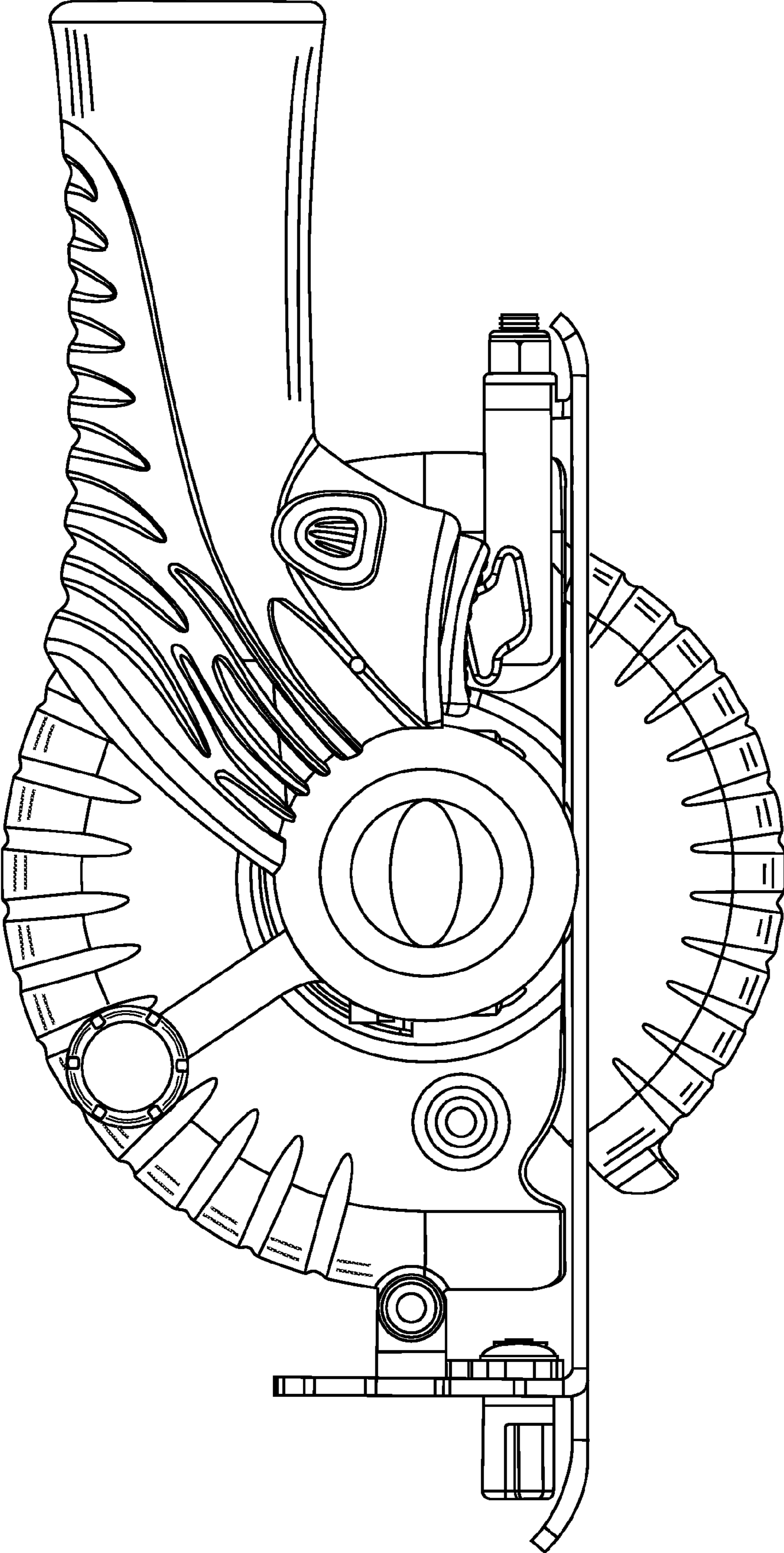


FIG. 2

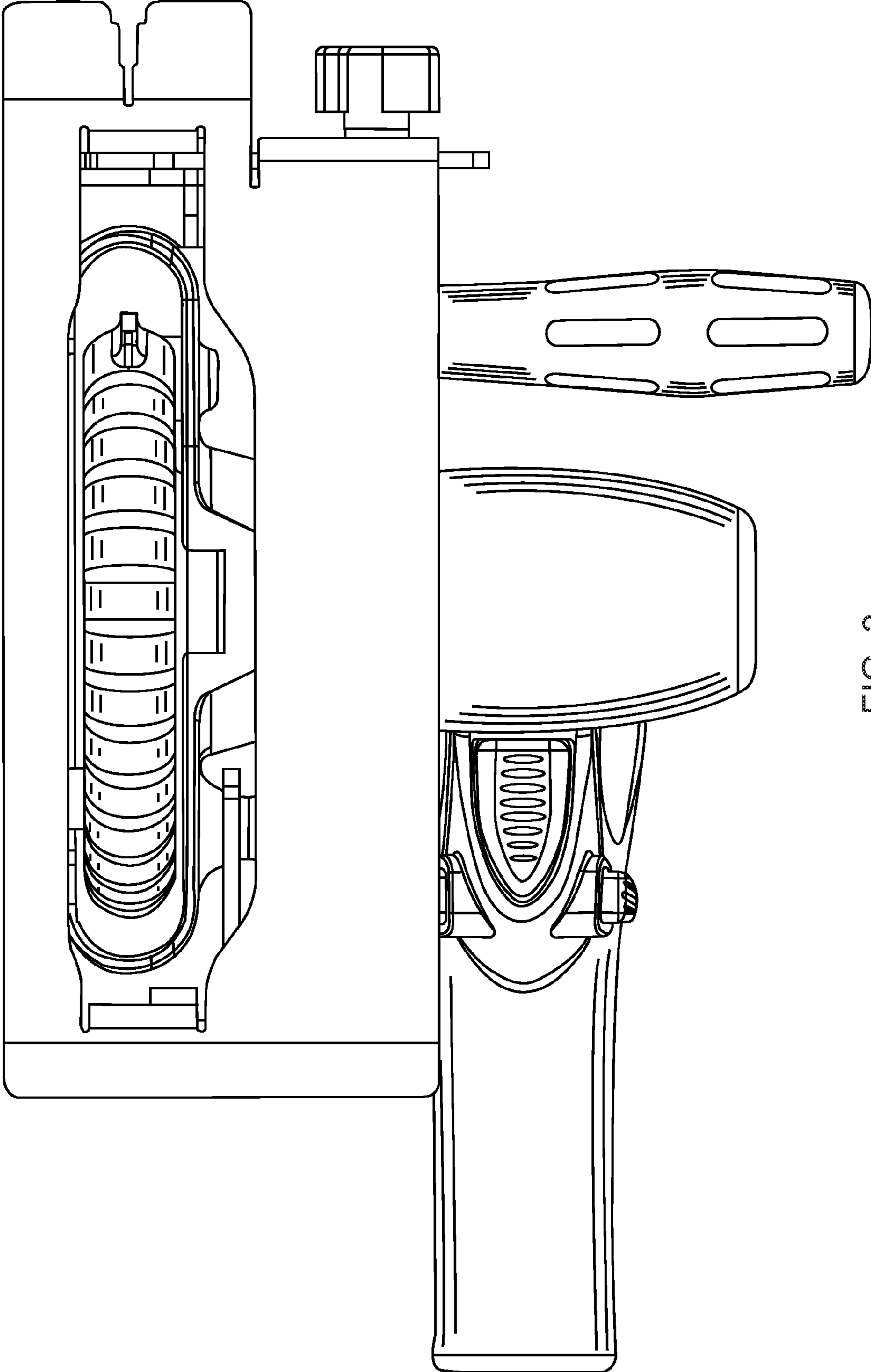


FIG. 3

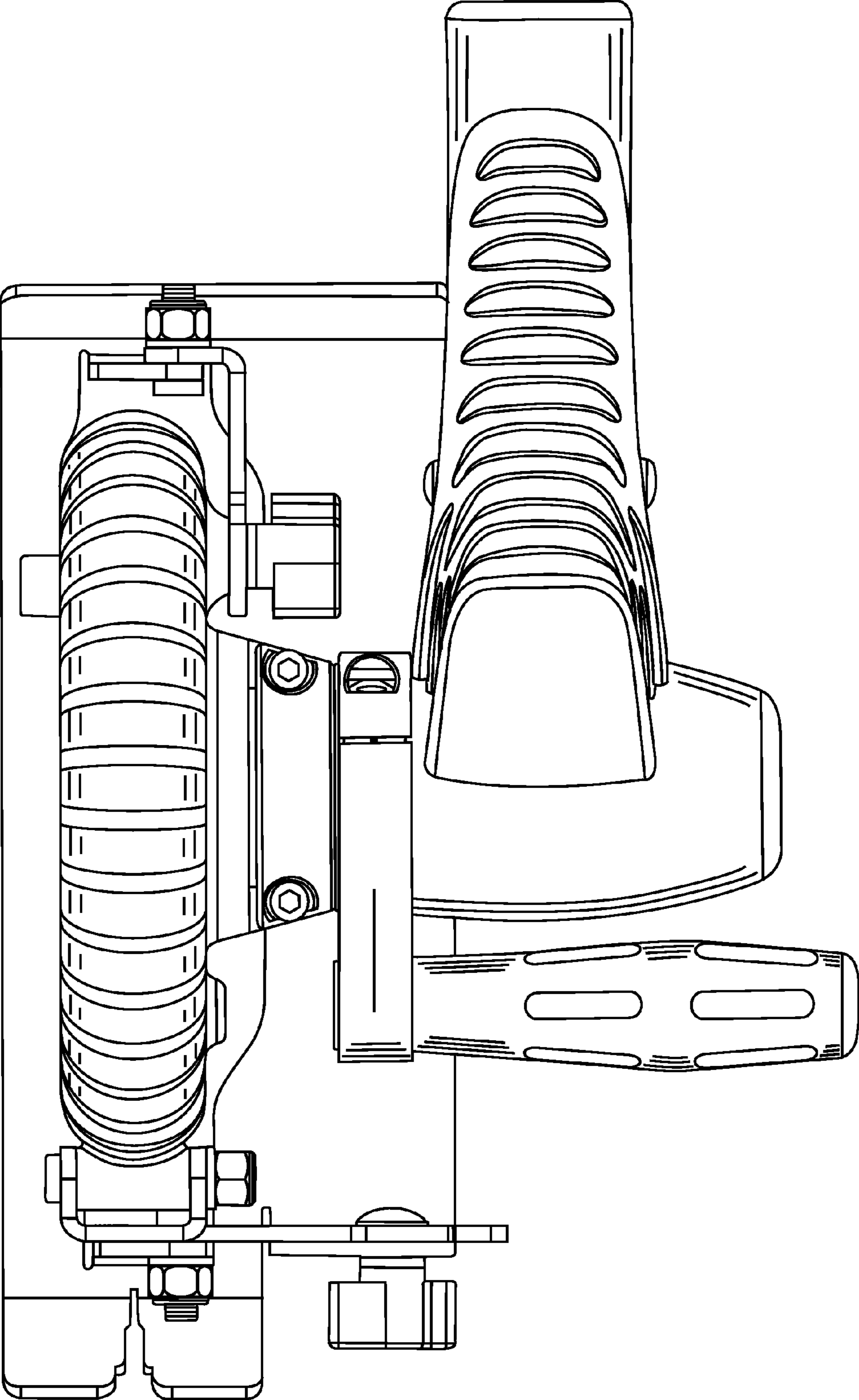


FIG. 4

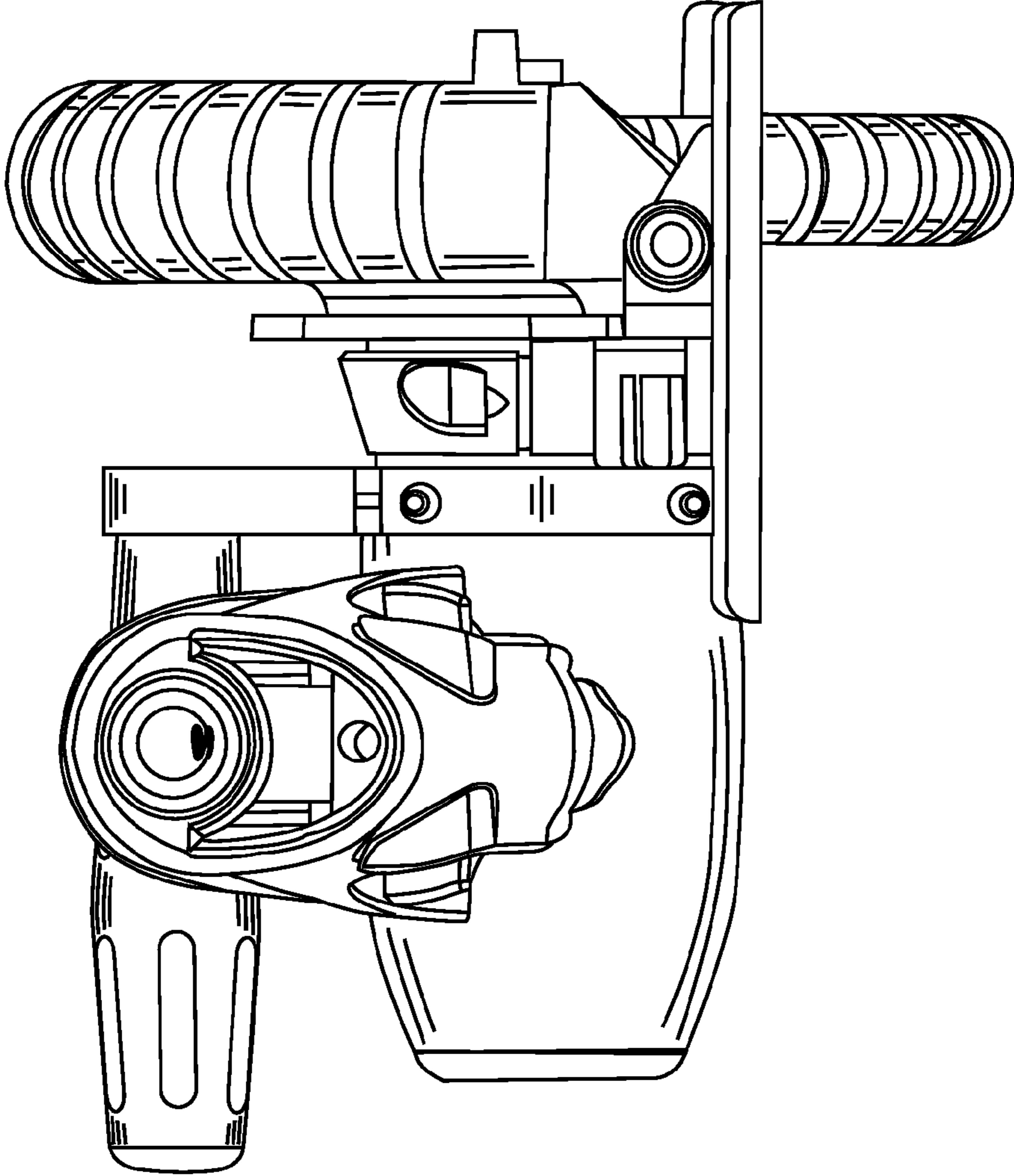


FIG. 5

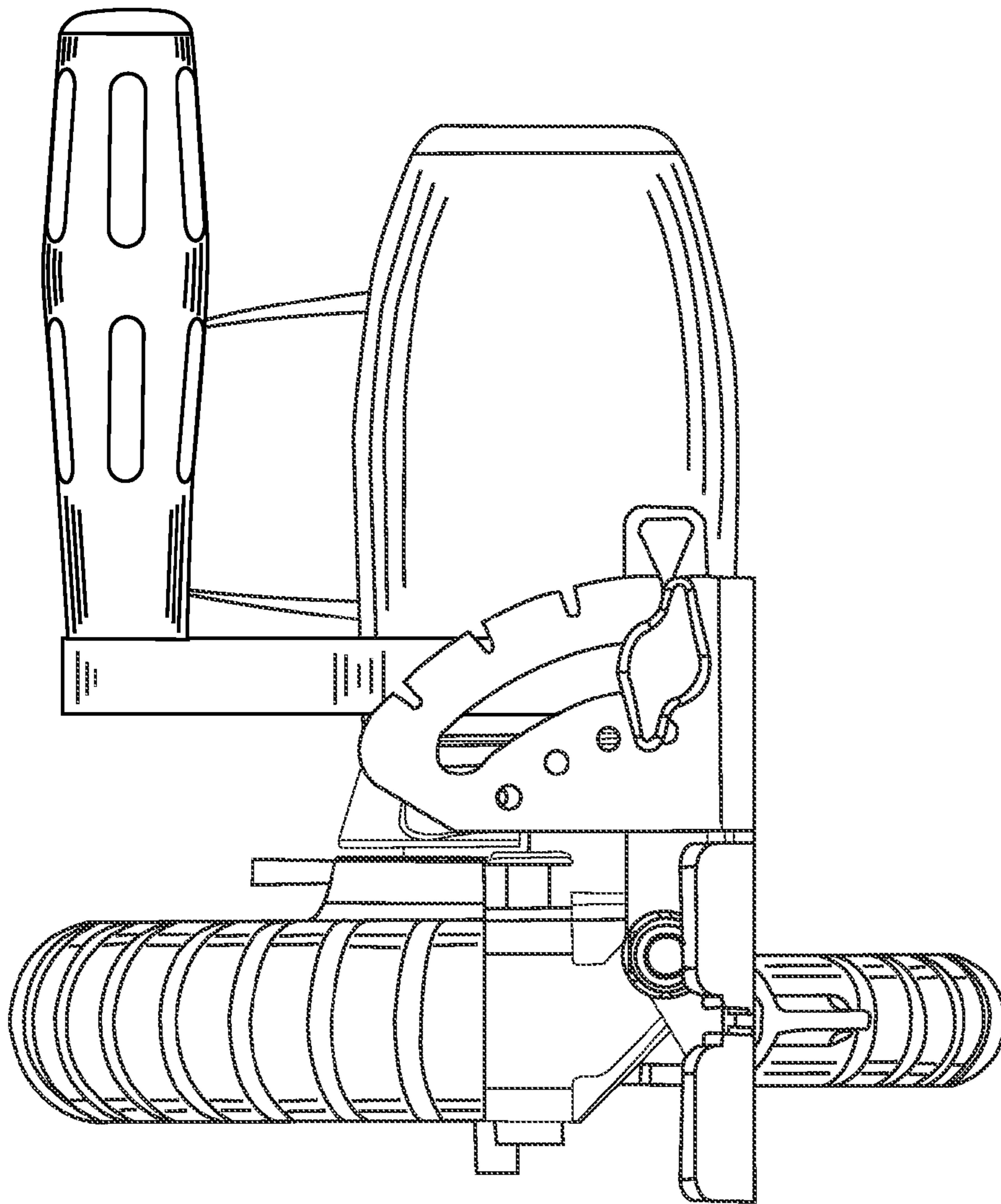


FIG. 6

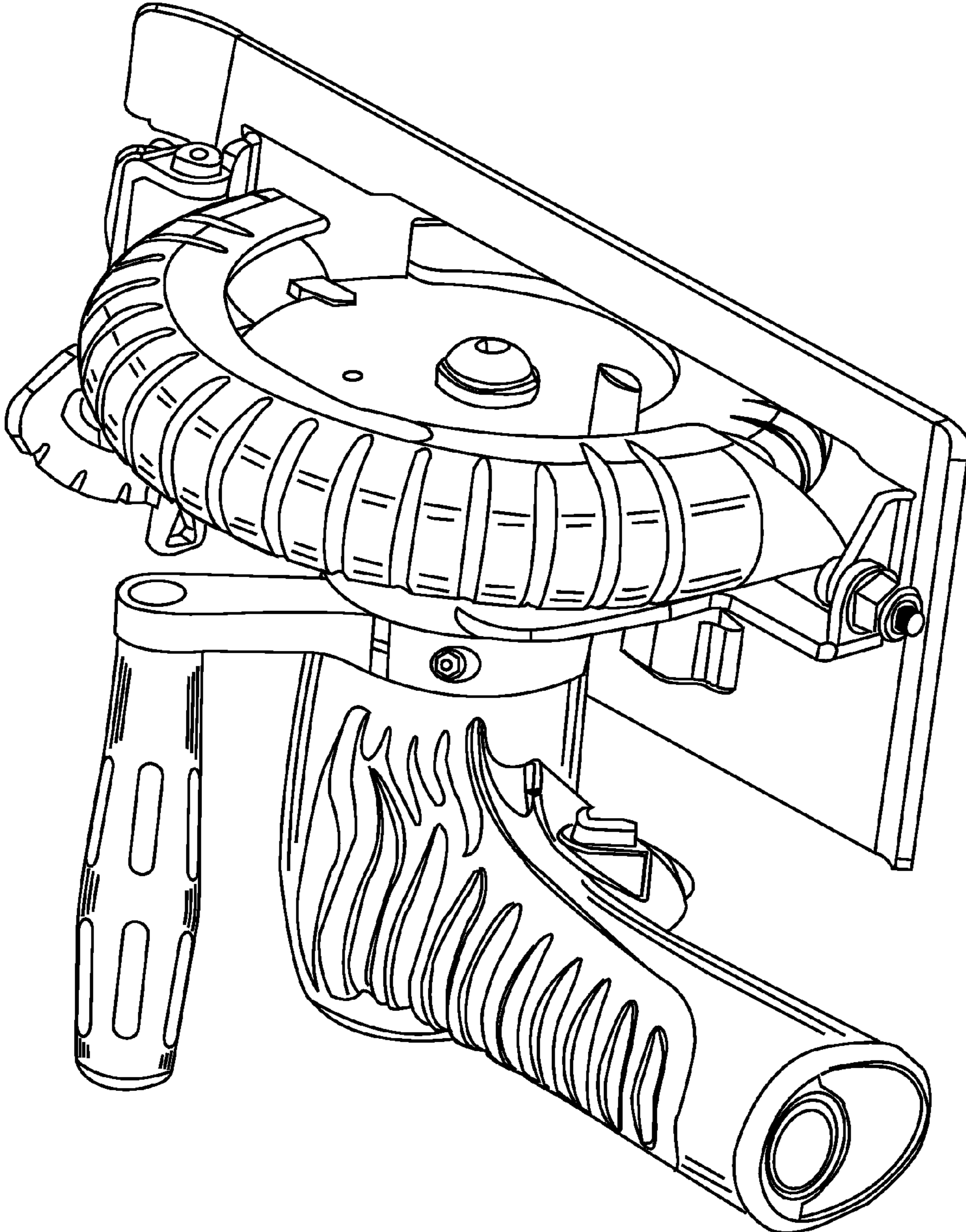


FIG. 7

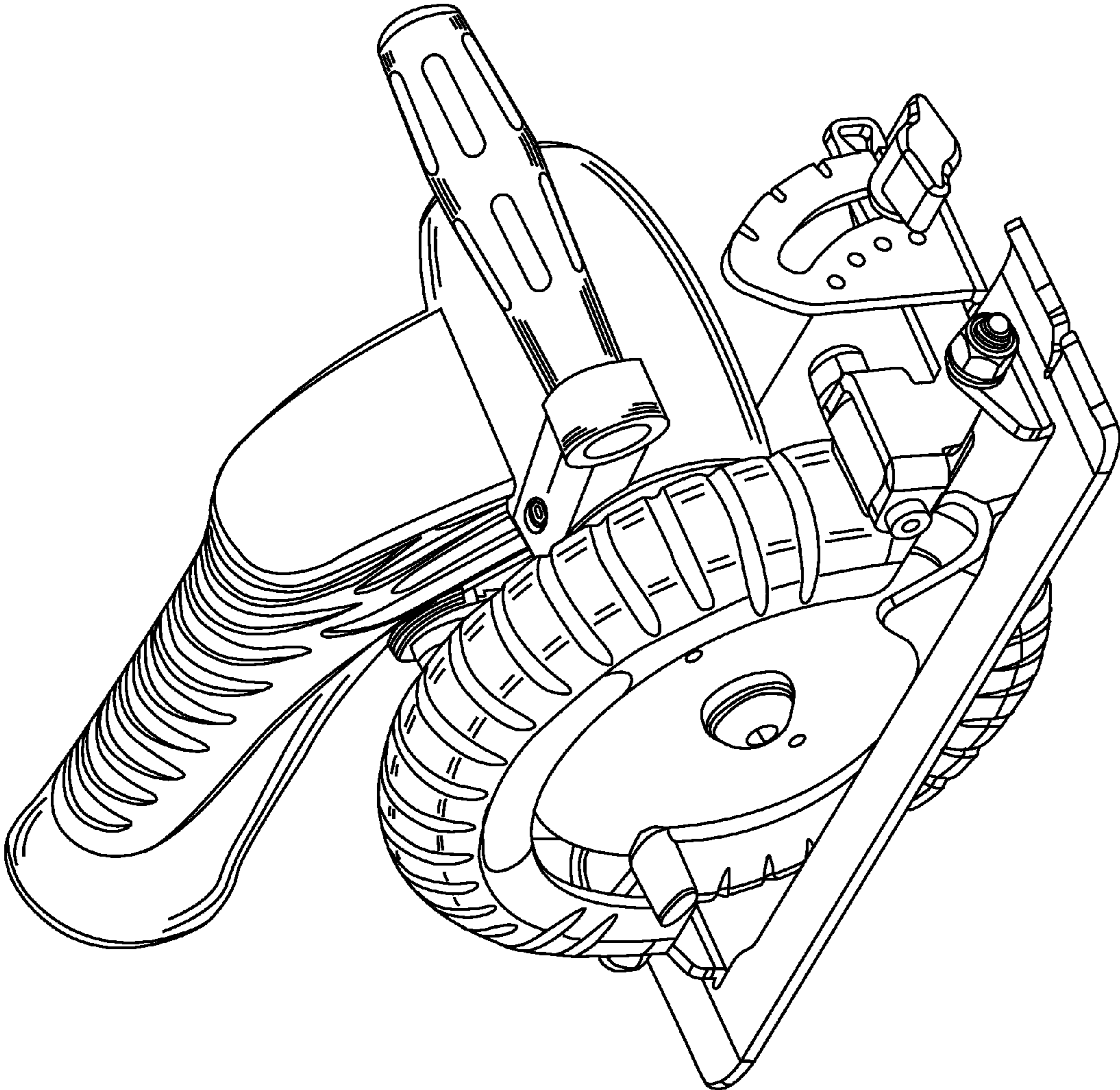


FIG. 8