



US00D575125S

(12) **United States Design Patent**
Smith

(10) **Patent No.:** **US D575,125 S**

(45) **Date of Patent:** **** Aug. 19, 2008**

(54) **ELECTRIC SHARPENER**

(75) Inventor: **Richard S. Smith**, Hot Springs, AR
(US)

(73) Assignee: **Smith Abrasives, Inc.**, Hot Springs, AR
(US)

(**) Term: **14 Years**

(21) Appl. No.: **29/301,777**

(22) Filed: **Mar. 14, 2008**

(51) **LOC (8) Cl.** **08-85**

(52) **U.S. Cl.** **D8/63**

(58) **Field of Classification Search** D8/93,
D8/63, 91, 35, 61, 62, 68, 69; 451/8, 65,
451/45, 344, 293, 282, 177, 193; D19/73
See application file for complete search history.

(56) **References Cited**

U.S. PATENT DOCUMENTS

| | | | | | | |
|--------------|----|---|---------|----------------------|-------|---------|
| D404,430 | S | * | 1/1999 | Shen | | D19/69 |
| D491,783 | S | * | 6/2004 | Ikegaki et al. | | D8/63 |
| 6,802,763 | B1 | * | 10/2004 | Leung | | 451/267 |
| 6,932,683 | B2 | * | 8/2005 | Li | | 451/193 |
| D540,871 | S | * | 4/2007 | Sandy et al. | | D19/69 |
| D553,685 | S | * | 10/2007 | Thorsteinsson et al. | | D19/69 |
| D553,686 | S | * | 10/2007 | Chen et al. | | D19/69 |
| 2003/0236061 | A1 | * | 12/2003 | Li | | 451/193 |

2007/0026768 A1* 2/2007 Da Batista 451/8

* cited by examiner

Primary Examiner—Cathron Brooks

Assistant Examiner—Austin Murphy

(74) *Attorney, Agent, or Firm*—Edward D. Gilhooly

(57) **CLAIM**

The ornamental design for electric sharpener, as shown and described.

DESCRIPTION

FIG. 1 is a front perspective view of the ornamental design for electric sharpener of the invention;

FIG. 2 is a front elevational end view of the ornamental design for electric sharpener of FIG. 1;

FIG. 3 is a front elevational right end view, viewing FIG. 1, of the ornamental design for electric sharpener of FIG. 1;

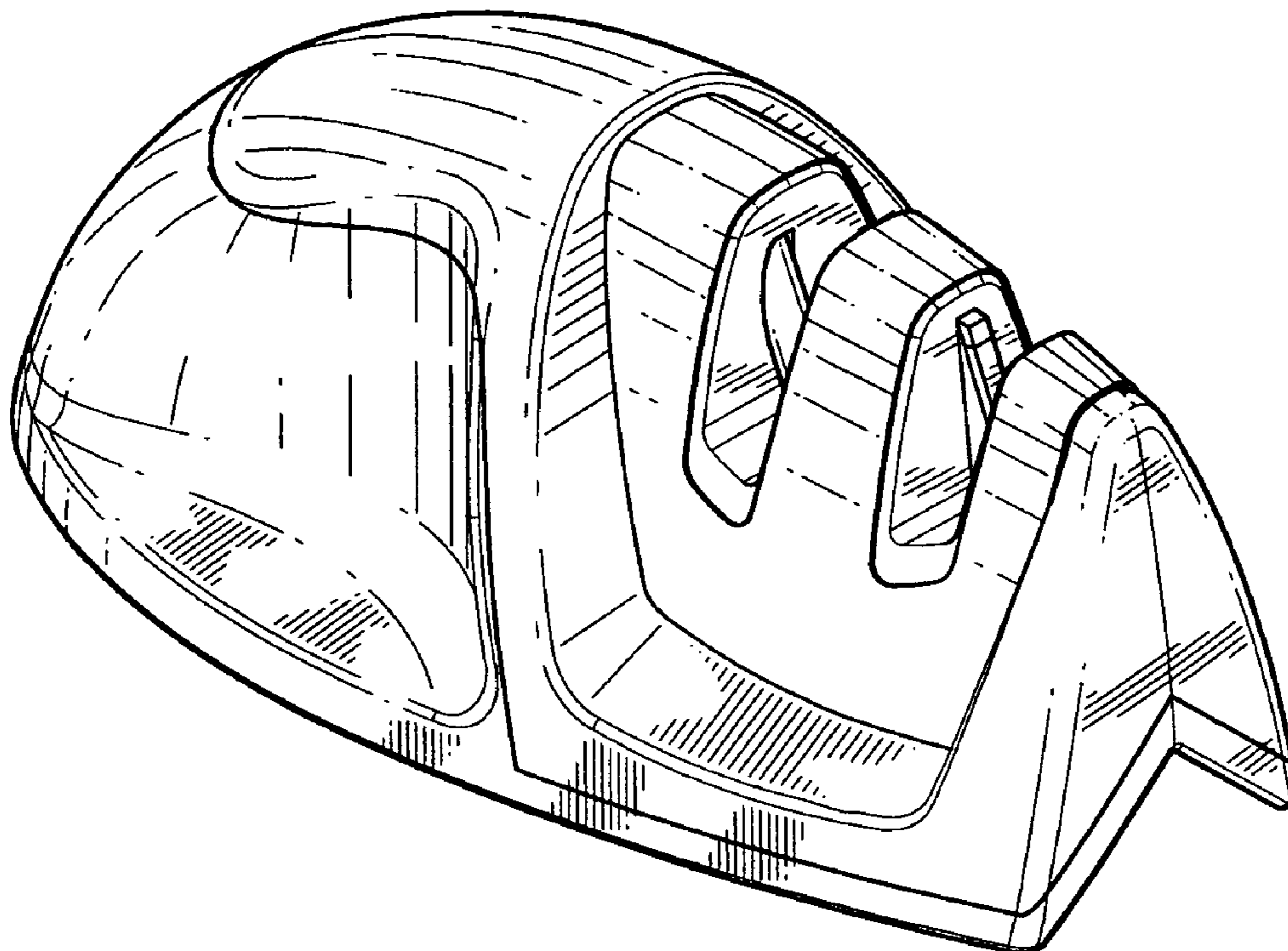
FIG. 4 is a front elevational left end view, viewing FIG. 1, of the ornamental design for electric sharpener of FIG. 1;

FIG. 5 is a rear elevational view of the ornamental design for two electric sharpener of FIG. 1;

FIG. 6 is a top plan view of the ornamental design for electric sharpener of FIG. 1; and,

FIG. 7 is a bottom plan view of the ornamental design for electric sharpener of FIG. 1.

1 Claim, 4 Drawing Sheets



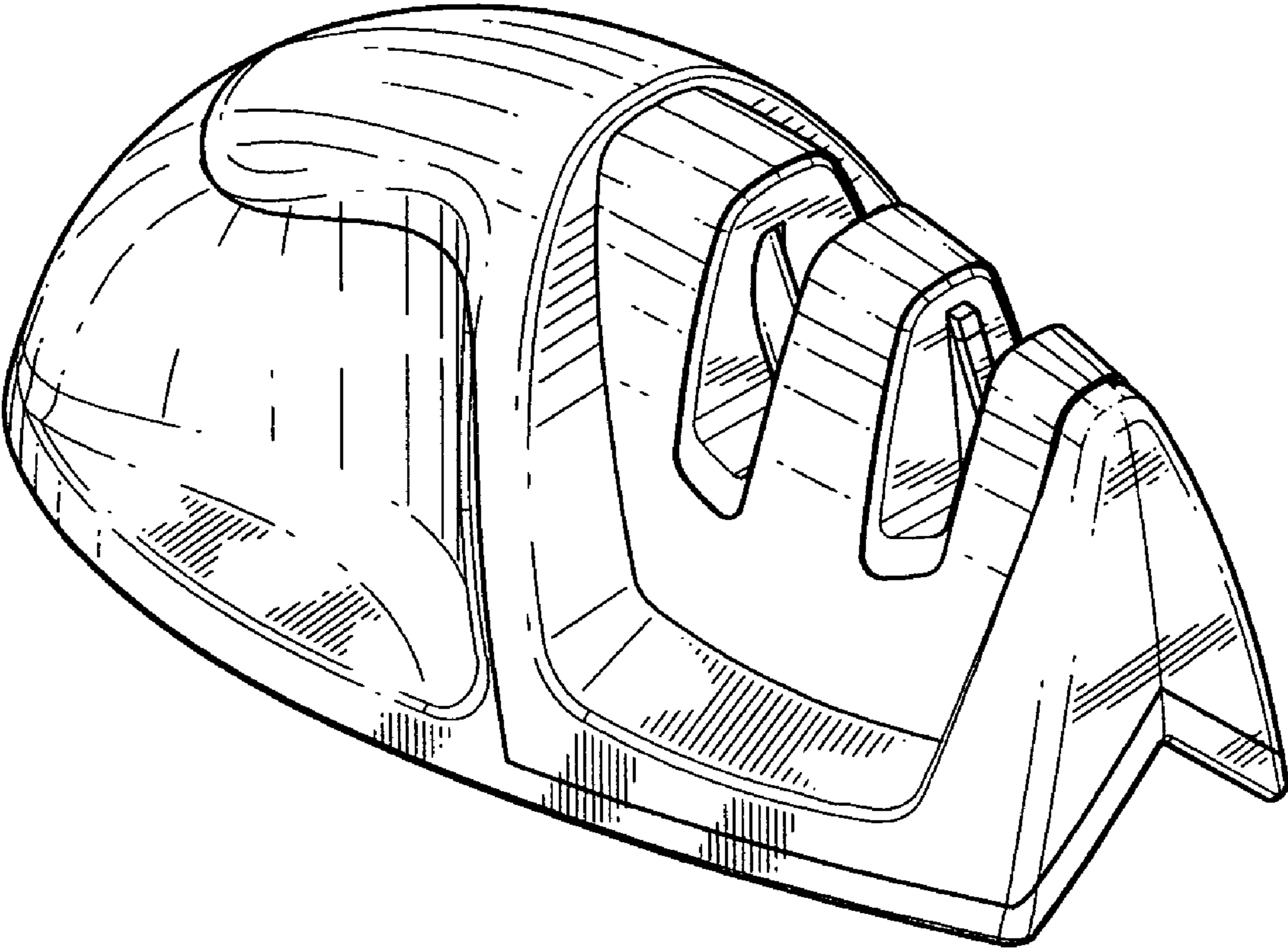


FIG. 1

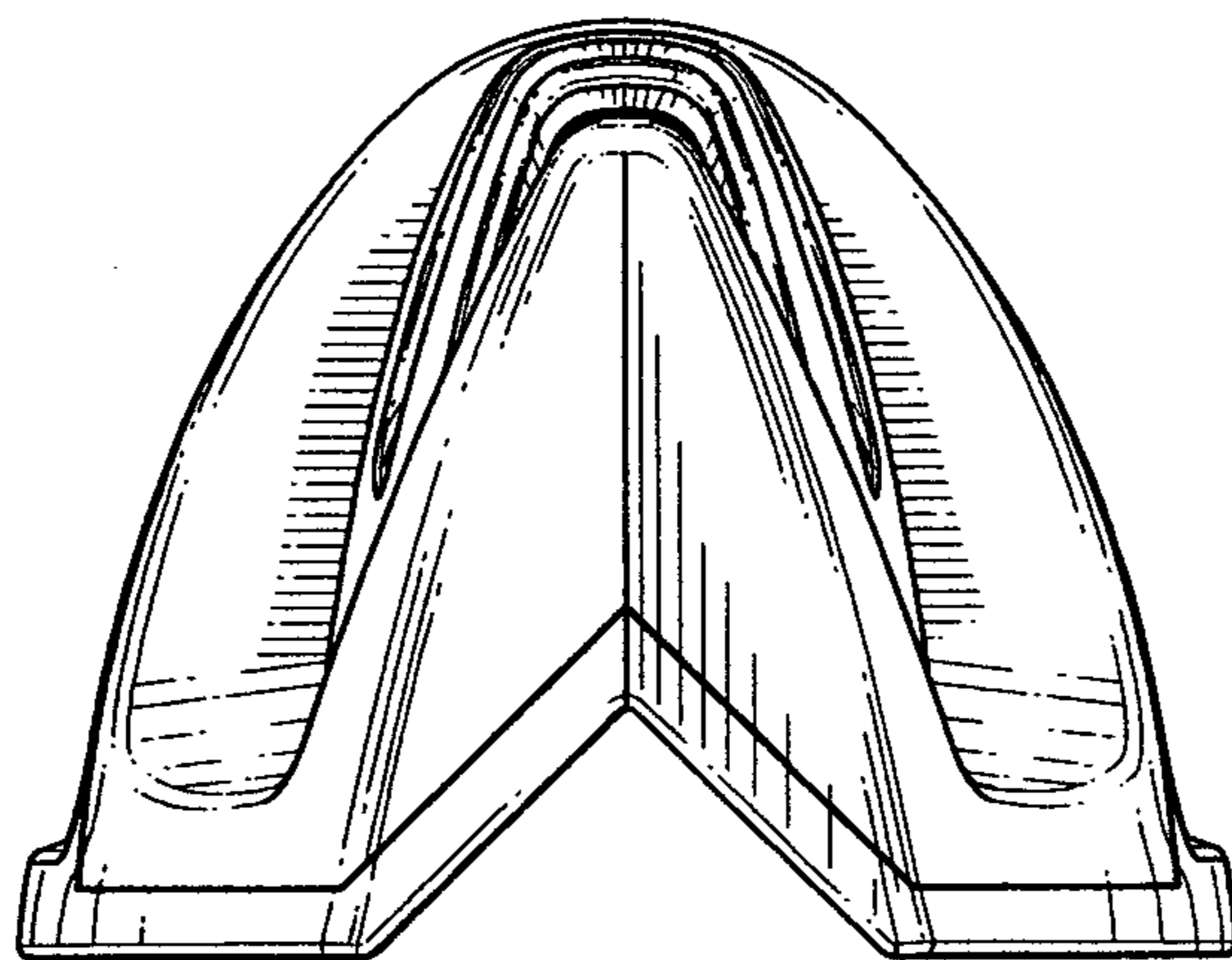


FIG. 2

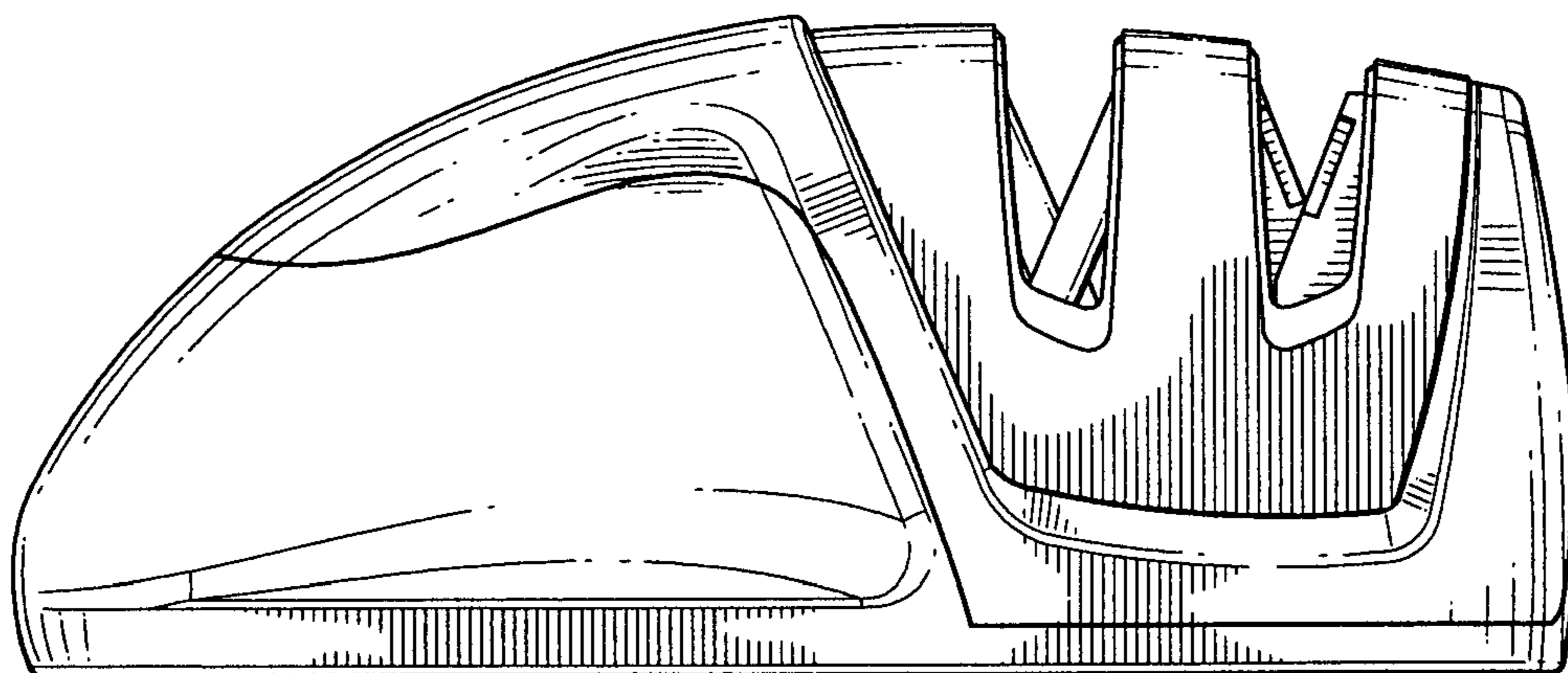


FIG. 3

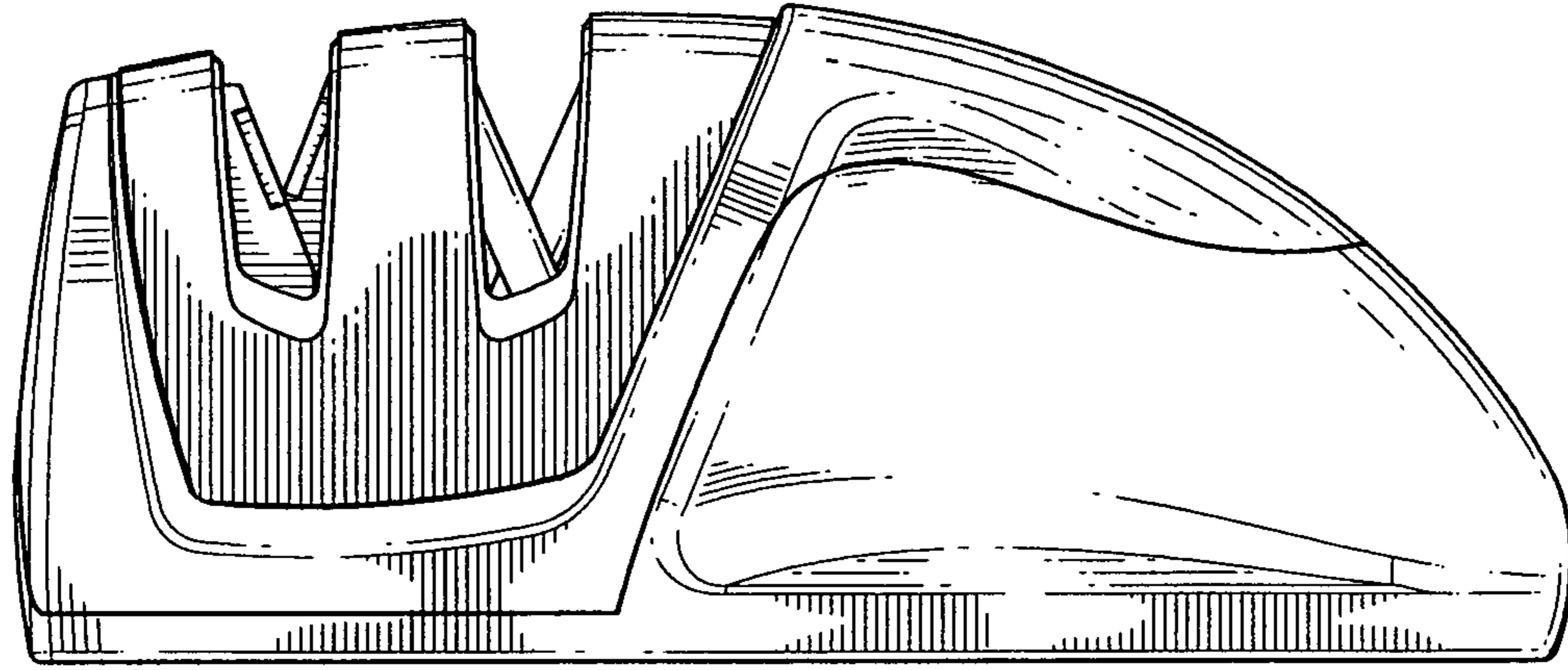


FIG. 4

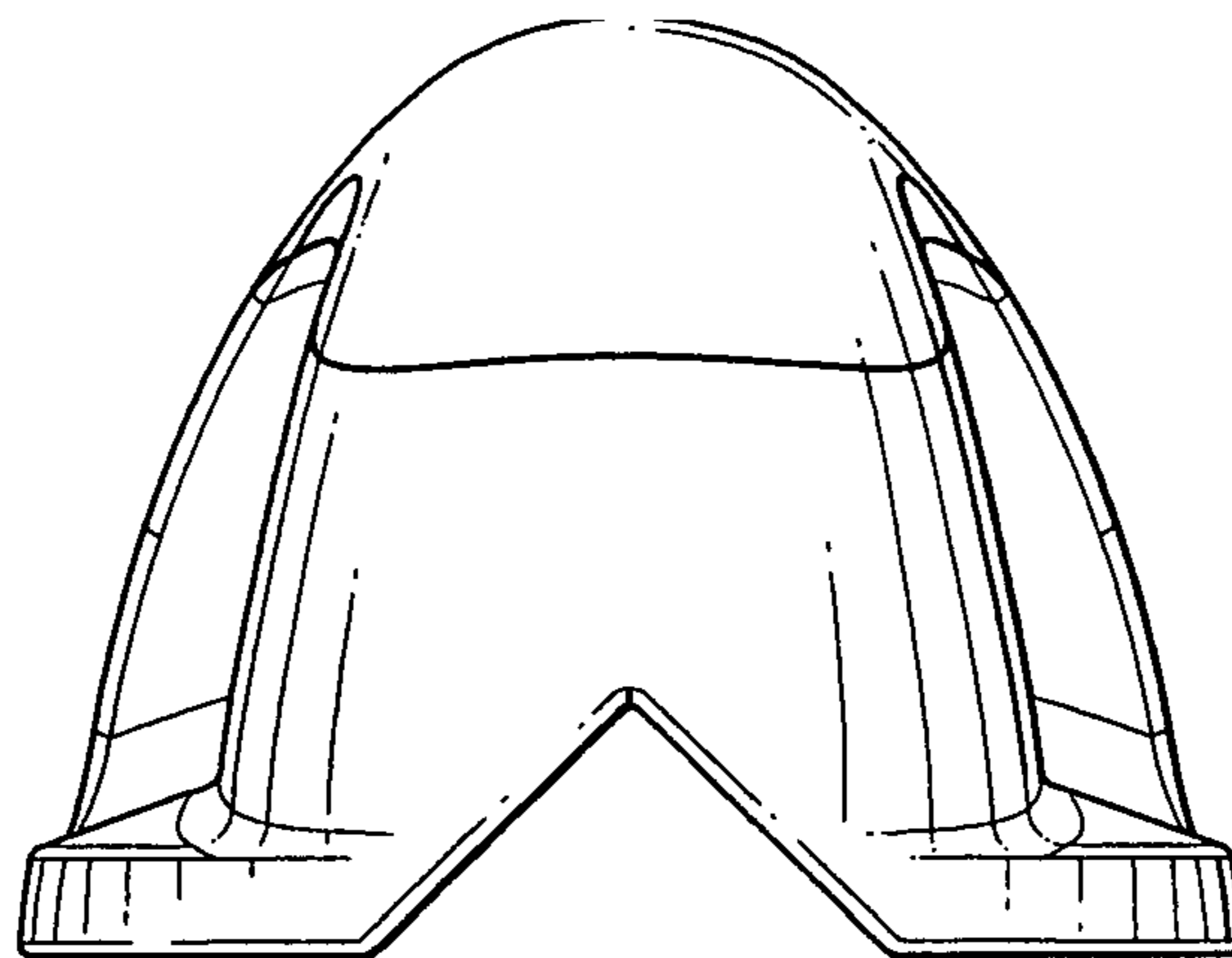


FIG. 5

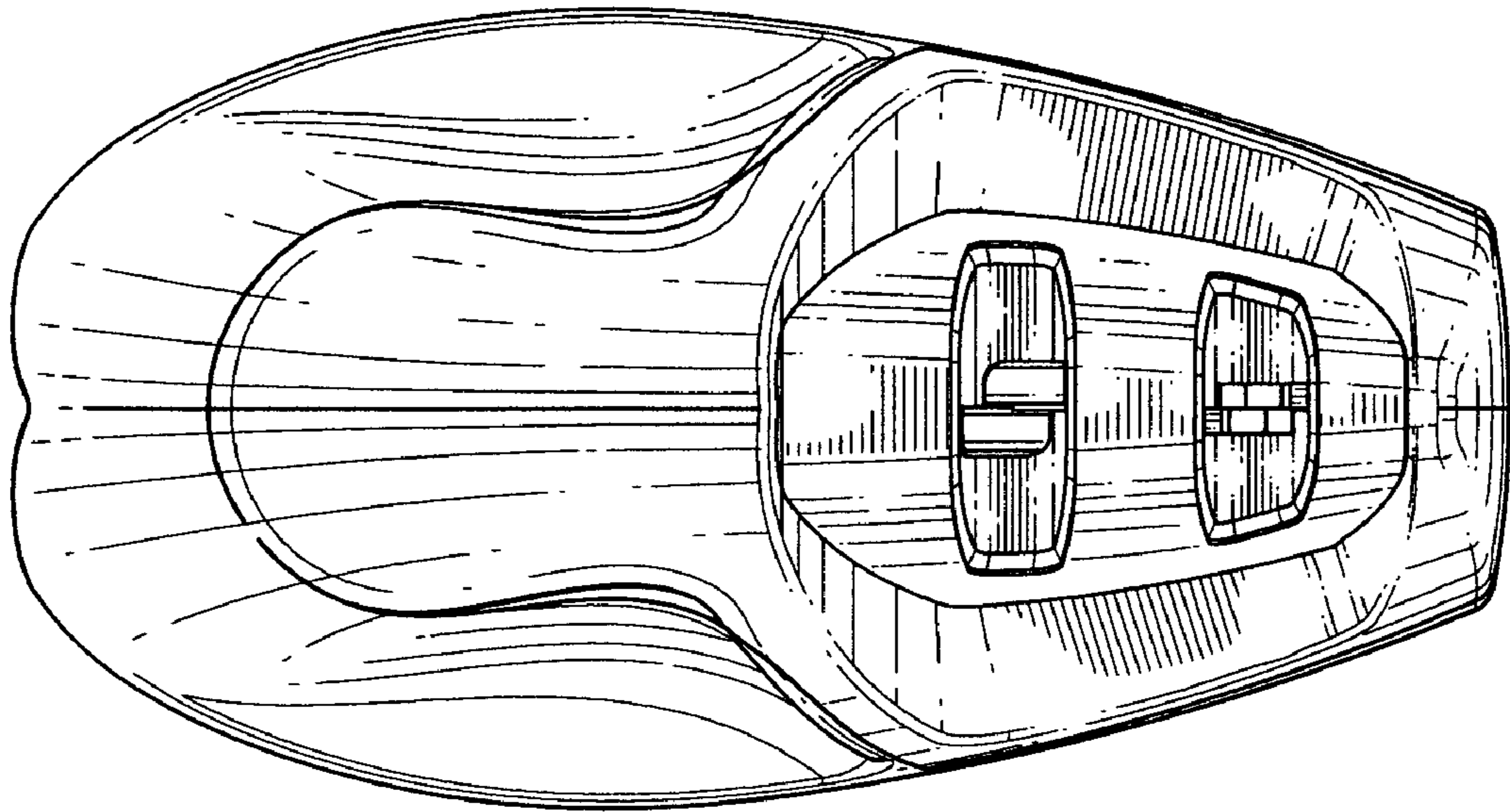


FIG. 6

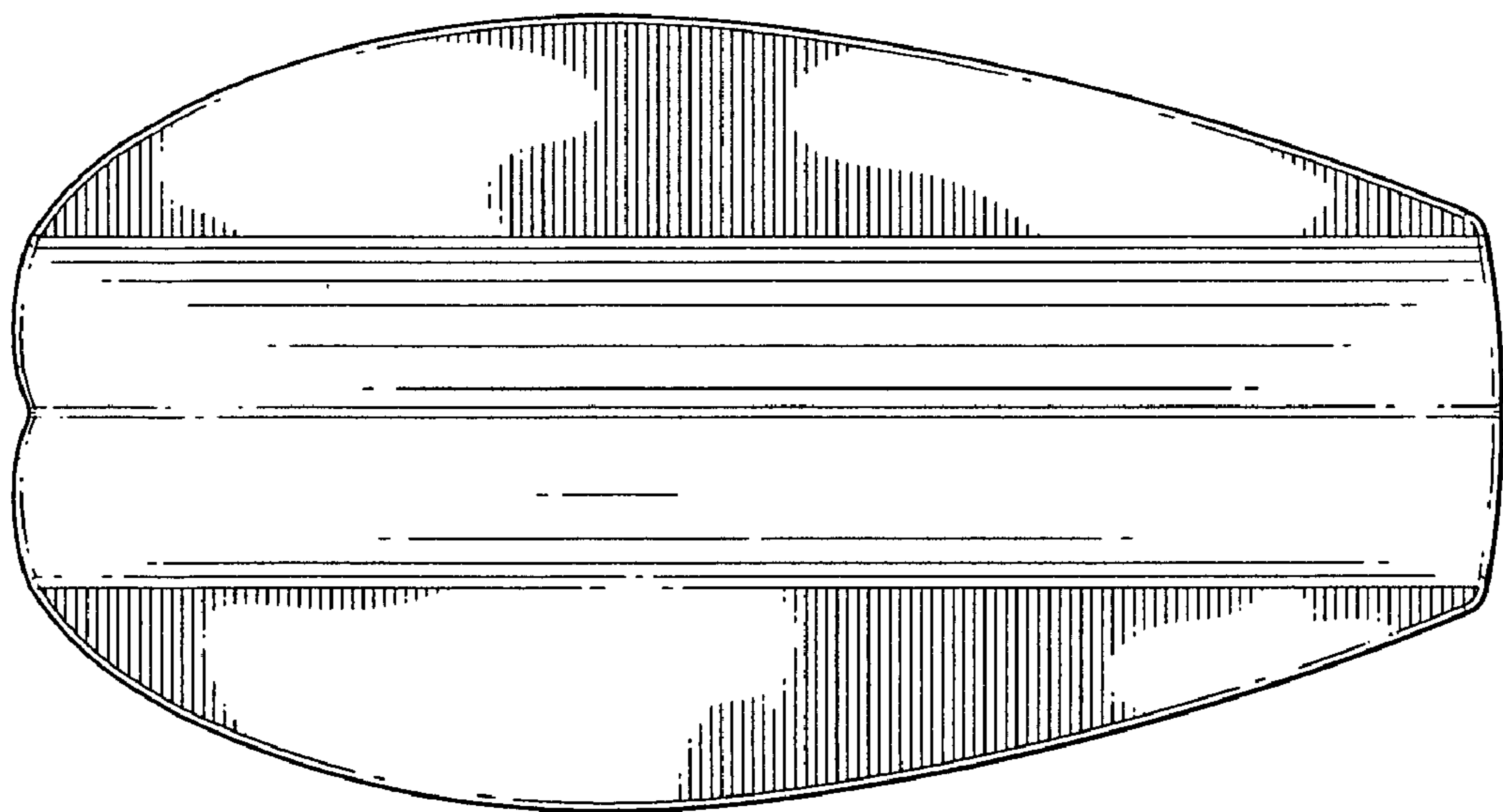


FIG. 7