



US00D575124S

(12) **United States Design Patent**
Smith

(10) **Patent No.:** **US D575,124 S**
(45) **Date of Patent:** **** Aug. 19, 2008**

- (54) **ELECTRIC SHARPENER**
- (75) Inventor: **Richard S. Smith**, Hot Springs, AR
(US)
- (73) Assignee: **Smith Abrasives Inc.**, Hot Springs, AR
(US)
- (**) Term: **14 Years**
- (21) Appl. No.: **29/301,770**
- (22) Filed: **Mar. 15, 2008**
- (51) **LOC (8) Cl.** **08-85**
- (52) **U.S. Cl.** **D8/63**
- (58) **Field of Classification Search** D8/93,
D8/63, 91, 35, 61, 62, 68, 69; 451/8, 65,
451/45, 344, 293, 282, 177, 193; D19/73
See application file for complete search history.

6,267,652	B1 *	7/2001	Friel et al.	451/177
D491,783	S *	6/2004	Ikegaki et al.	D8/63
6,802,763	B1 *	10/2004	Leung	451/267
6,932,683	B2 *	8/2005	Li	451/193
2002/0094768	A1 *	7/2002	Friel	451/344
2003/0077990	A1 *	4/2003	Li	451/293
2003/0236061	A1 *	12/2003	Li	451/193
2004/0077296	A1 *	4/2004	Friel et al.	451/259

* cited by examiner

Primary Examiner—Cathron Brooks
Assistant Examiner—Austin Murphy
(74) *Attorney, Agent, or Firm*—Edward D. Gilhooly

(56) **References Cited**

U.S. PATENT DOCUMENTS

D170,935	S *	11/1953	Palma, Jr. et al.	D8/63
D174,343	S *	3/1955	Nelson	D8/63
2,841,926	A *	7/1958	Lebus	451/65
D185,556	S *	6/1959	Madl	D8/63
2,898,709	A *	8/1959	Bednarski	451/241
D192,434	S *	3/1962	Rawson, Jr. et al.	D8/63
D198,859	S *	8/1964	Madl	D8/63
D202,799	S *	11/1965	DeFano et al.	D8/63
3,332,173	A *	7/1967	McMaster et al.	451/282
D284,736	S *	7/1986	Kawai et al.	D8/93
4,807,399	A *	2/1989	Friel	451/45
D303,209	S *	9/1989	Friel	D8/93
D310,620	S *	9/1990	Friel	D8/93
D328,410	S *	8/1992	Friel	D8/63
5,611,726	A *	3/1997	Friel et al.	451/177
D409,891	S *	5/1999	Friel et al.	D8/93
6,012,971	A *	1/2000	Friel et al.	451/45
6,113,476	A *	9/2000	Friel et al.	451/177

(57) **CLAIM**

The ornamental design for electric sharpener, as shown and described.

DESCRIPTION

FIG. 1 is a front perspective view of the ornamental design for electric sharpener of the invention;

FIG. 2 is a front elevational view of the ornamental design for electric sharpener of FIG. 1;

FIG. 3 is an elevational right end view, viewing FIG. 1, of the ornamental design for electric sharpener of FIG. 1;

FIG. 4 is a rear elevational view of the ornamental design for two electric sharpener of FIG. 1;

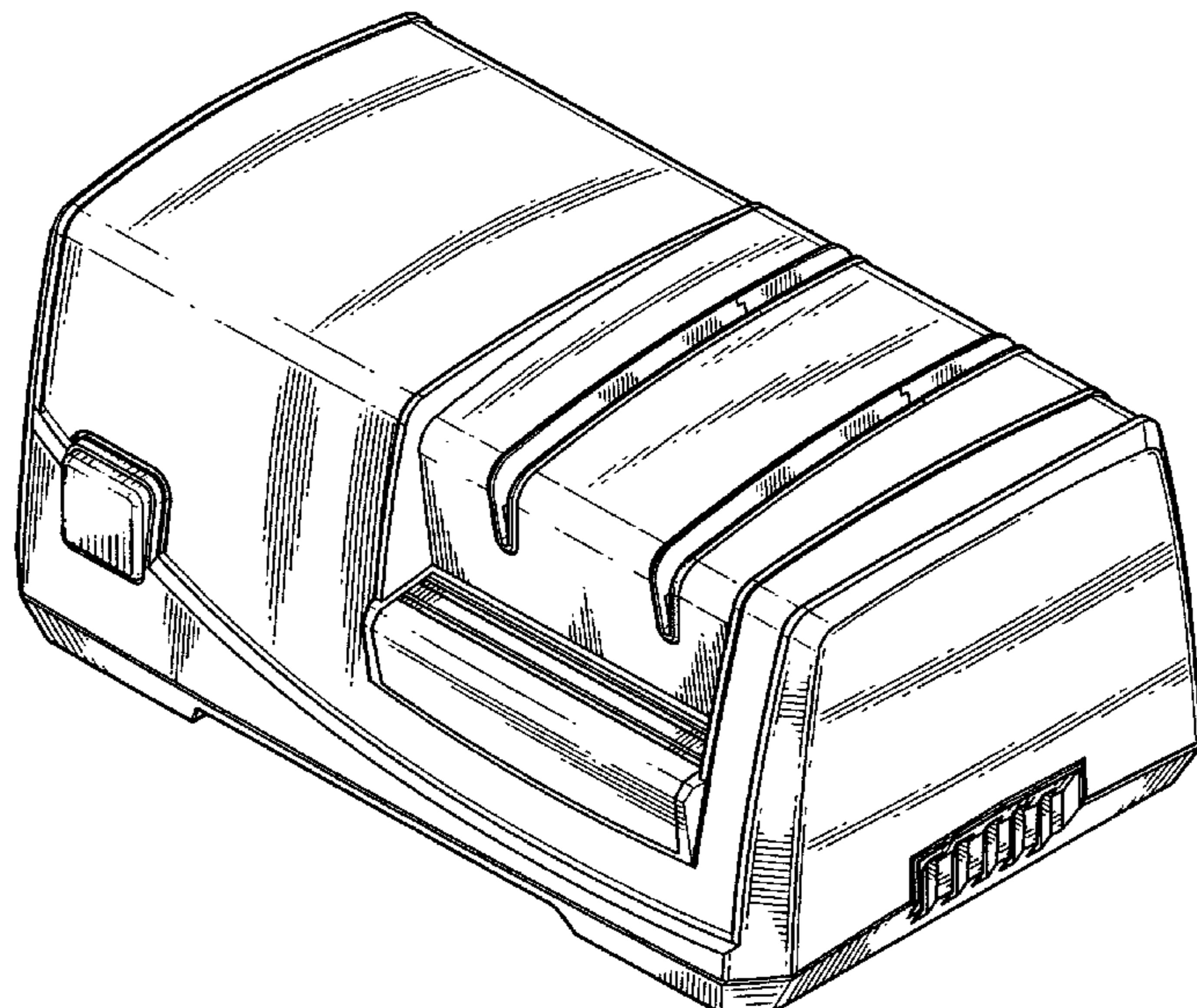
FIG. 5 is an elevational left end view, viewing FIG. 1, of the ornamental design for electric sharpener of FIG. 1;

FIG. 6 is a top plan view of the ornamental design for electric sharpener of FIG. 1; and,

FIG. 7 is a bottom plan view of the ornamental design for electric sharpener of FIG. 1.

The broken line showing of portions of the electric sharpener forms no part of the claimed design.

1 Claim, 4 Drawing Sheets



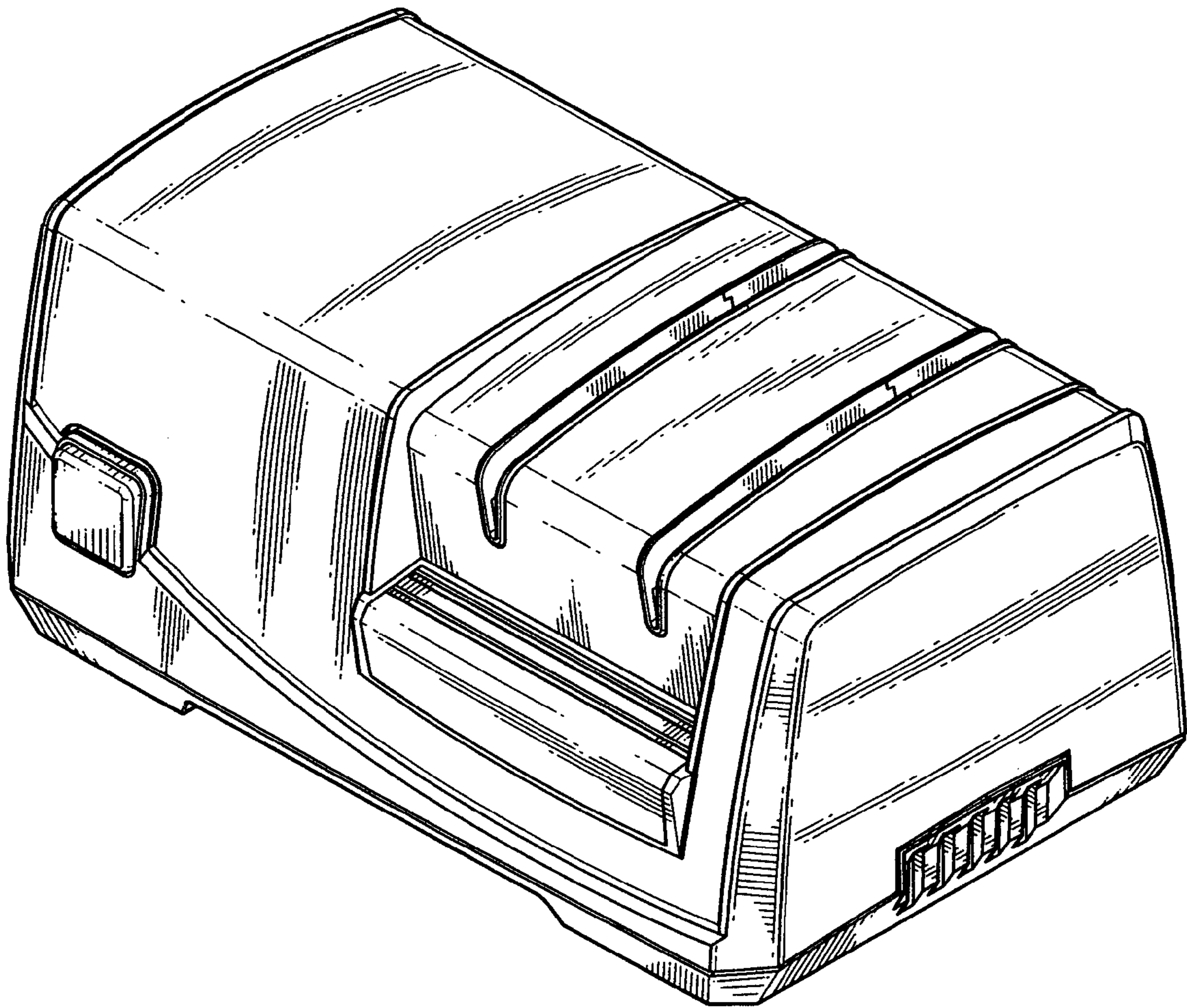


FIG. 1

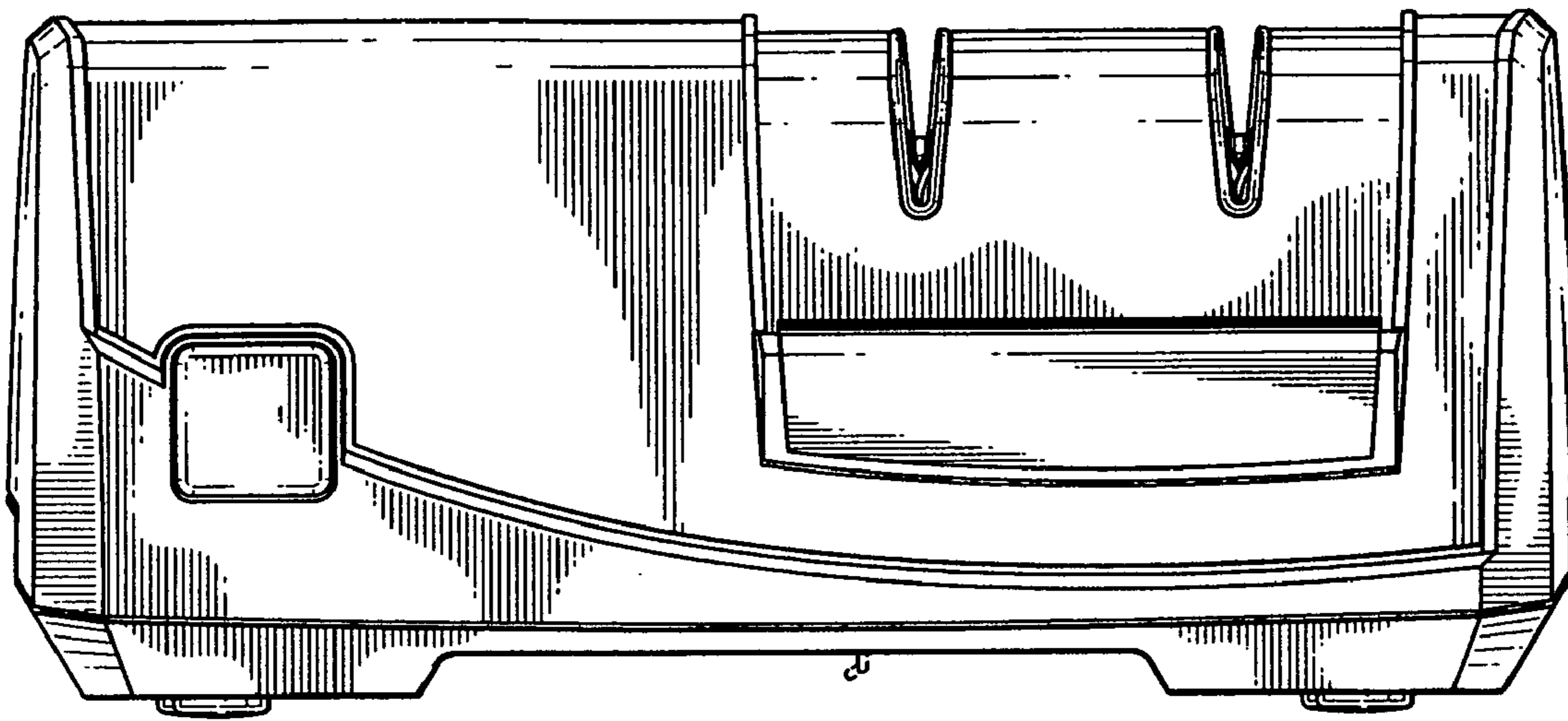


FIG. 2

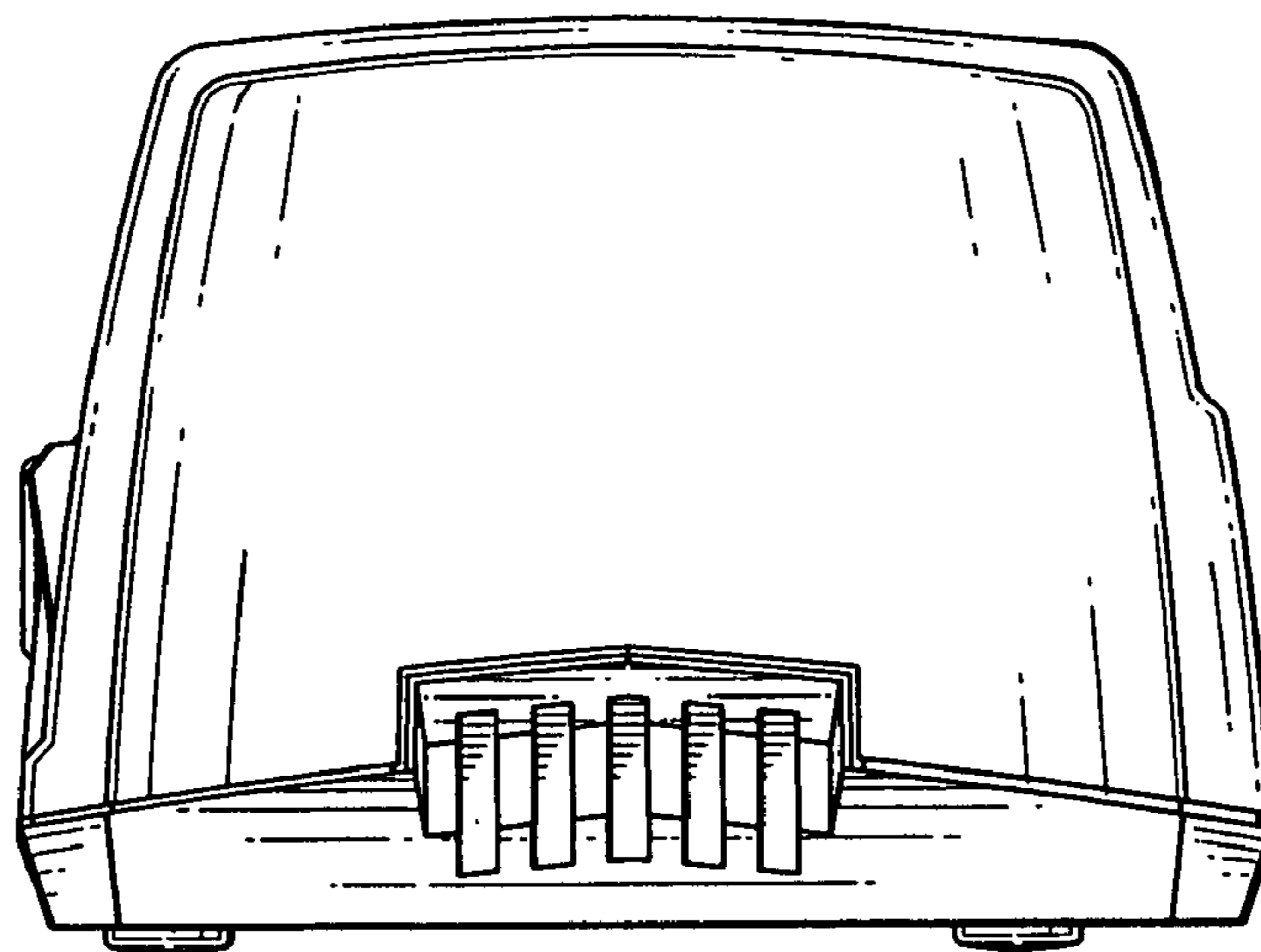


FIG. 3

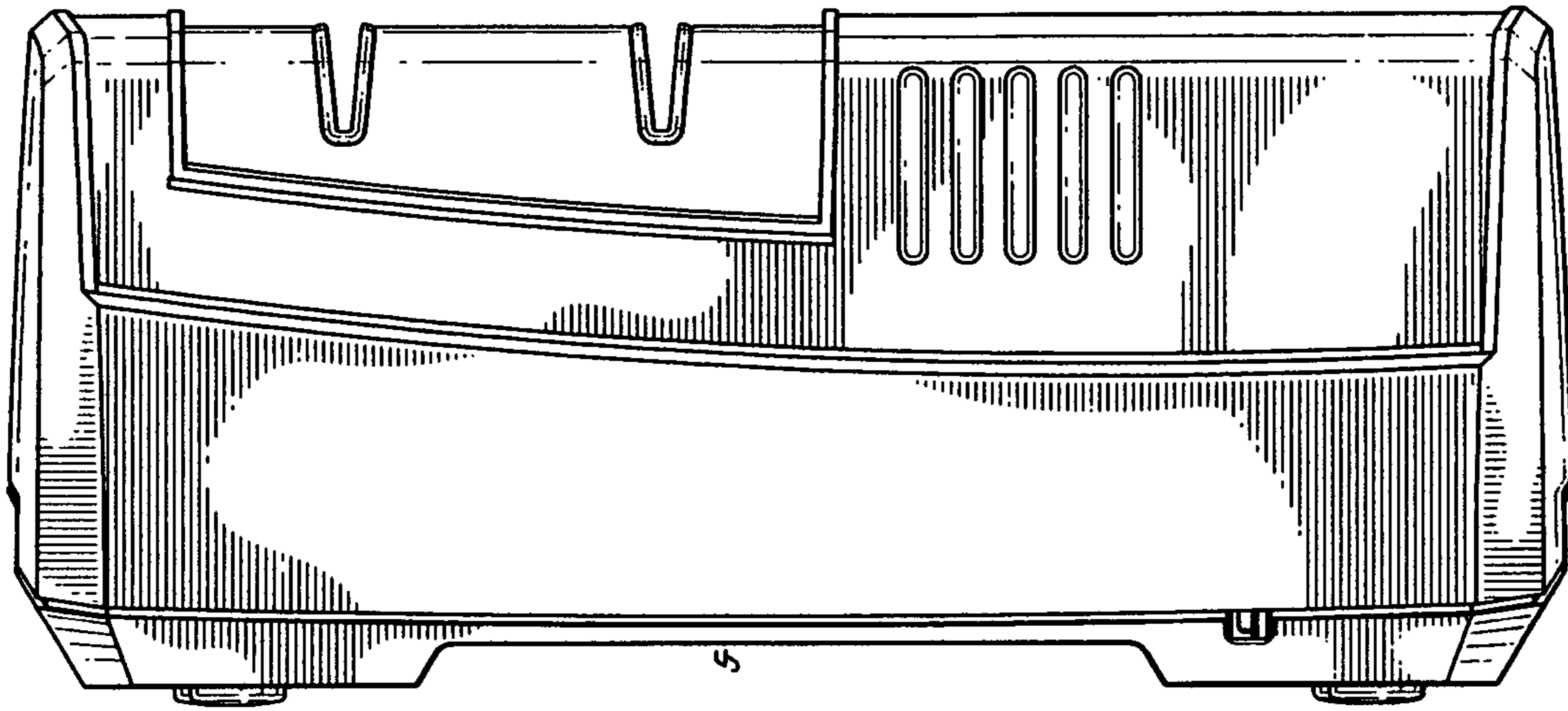


FIG. 4

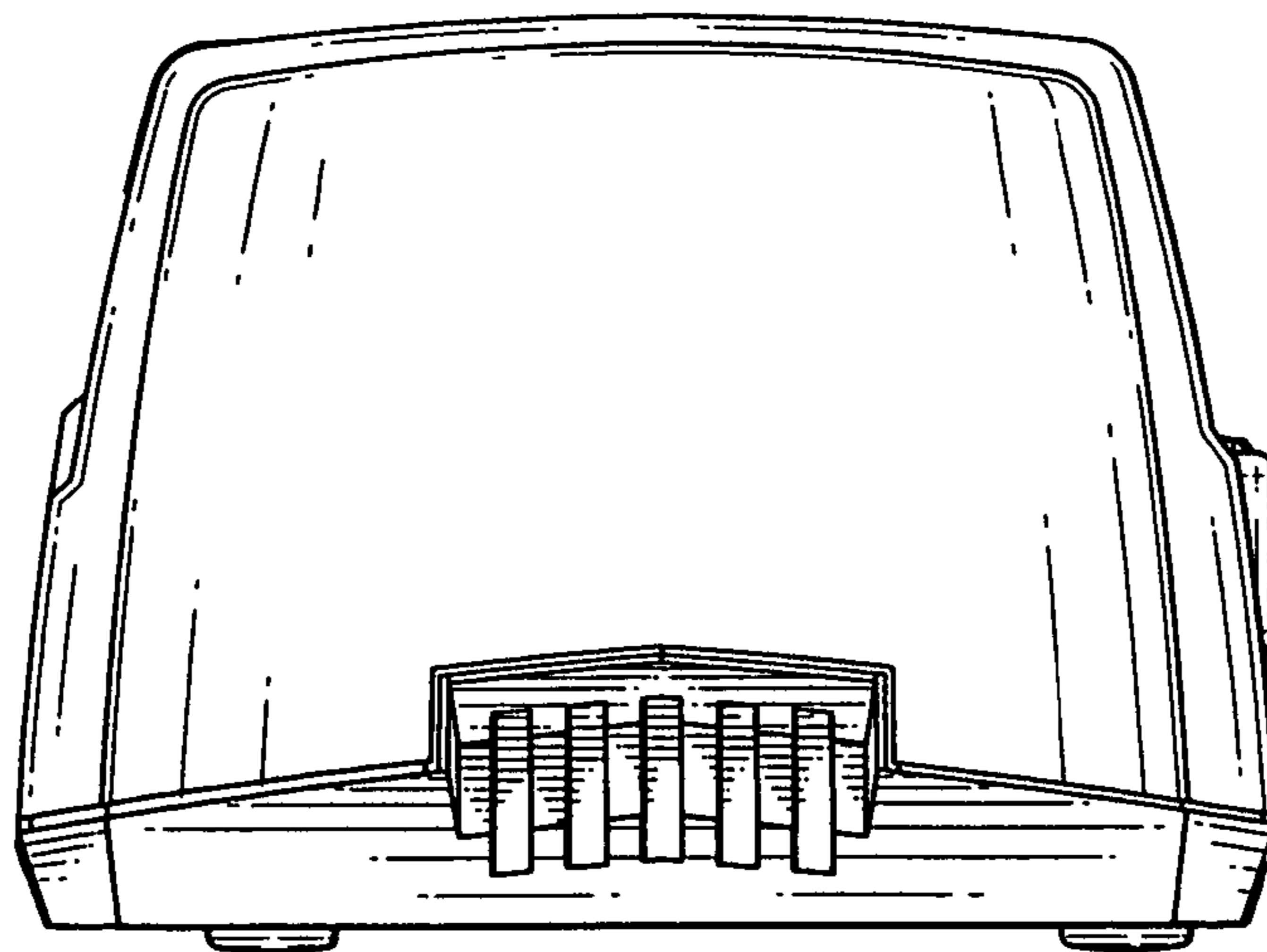


FIG. 5

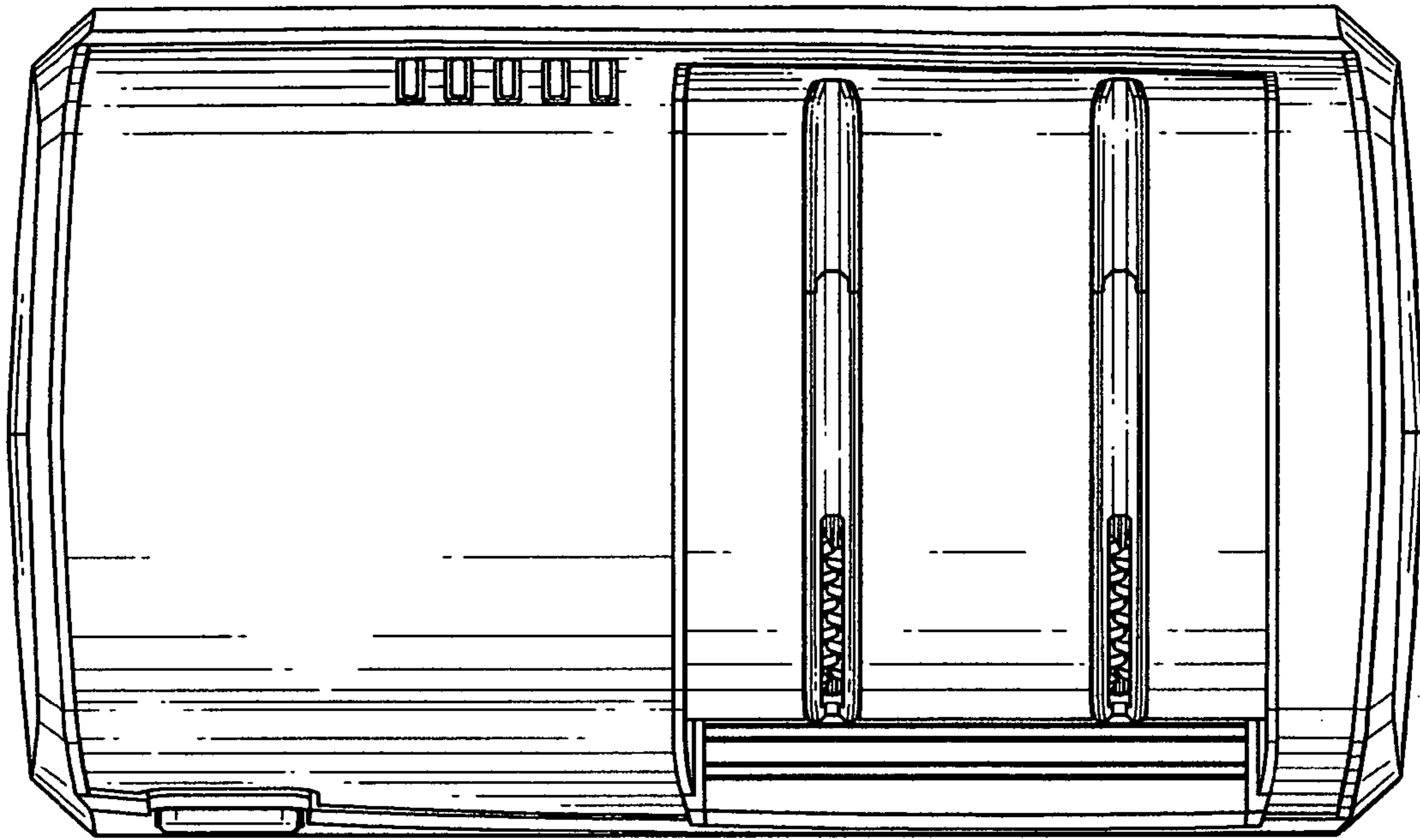


FIG. 6

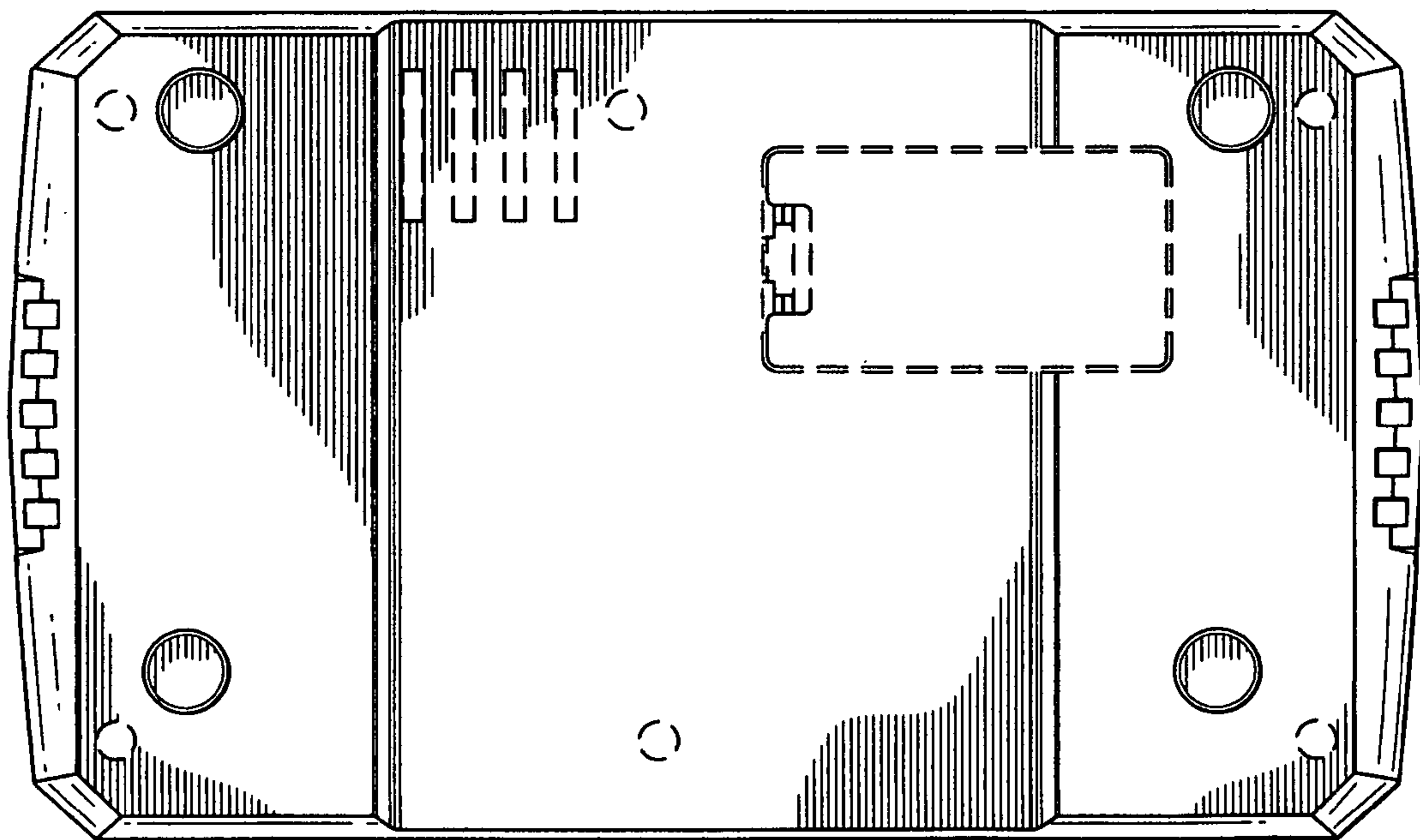


FIG. 7