



US00D575122S

(12) **United States Design Patent**
Correa

(10) **Patent No.:** **US D575,122 S**

(45) **Date of Patent:** **** Aug. 19, 2008**

(54) **MULTI RATCHET WRENCH**

(76) **Inventor:** **Albert Correa**, 1825 Holly Oak Dr.,
Monterey Park, CA (US) 91755

(**) **Term:** **14 Years**

(21) **Appl. No.:** **29/286,598**

(22) **Filed:** **May 14, 2007**

(51) **LOC (8) Cl.** **08-05**

(52) **U.S. Cl.** **D8/28; D8/25**

(58) **Field of Classification Search** D8/17,
D8/21-29, 81-87, 102-107, 98, 99, 55, 93,
D8/94; 81/60, 119, 121.1, 120, 124.3, 124.4,
81/124.6, 124.7, 125, 177.85, 436, 177.6,
81/185, 58-63.2, 3.09, 486, 158, 177.1, 122,
81/53.2, 441, 177.8, 177.9, 185.1, 3.4, 177.4,
81/492, 13, 177.7, 166-170, 490, 81, 87,
81/98, 99, 55, 93, 94, 165, 489, 186, 176.2,
81/3.35, 58.3, 3.45, 155, 110.1, 102-107,
81/3.345, 176.1, 176.15, 177.2; 206/378;
16/429, 441, 124.6, 110.1; 7/100, 138, 168,
7/157; D24/126; D7/395, 177.1, 436, 489;
D15/144.1; 219/75, 227, 229, 121.16, 121.18
See application file for complete search history.

(56) **References Cited**

U.S. PATENT DOCUMENTS

53,597 A * 4/1866 Marcman 366/329.1

D138,790 S * 9/1944 Crekalski D8/26
3,745,860 A 7/1973 Bennett
D276,124 S * 10/1984 Liu D8/22
4,727,782 A 3/1988 Yang
D304,899 S * 12/1989 Liu D8/23
4,939,960 A * 7/1990 Kinzli 81/124.4
5,425,292 A 6/1995 Mobile
D379,054 S * 5/1997 Asaad D8/28
5,875,558 A * 3/1999 Bakke et al. 33/501.45
D473,436 S * 4/2003 Pilatzke et al. D8/28
D473,766 S * 4/2003 Williams D8/28

* cited by examiner

Primary Examiner—Raphael Barkai
Assistant Examiner—Randall H Gholson

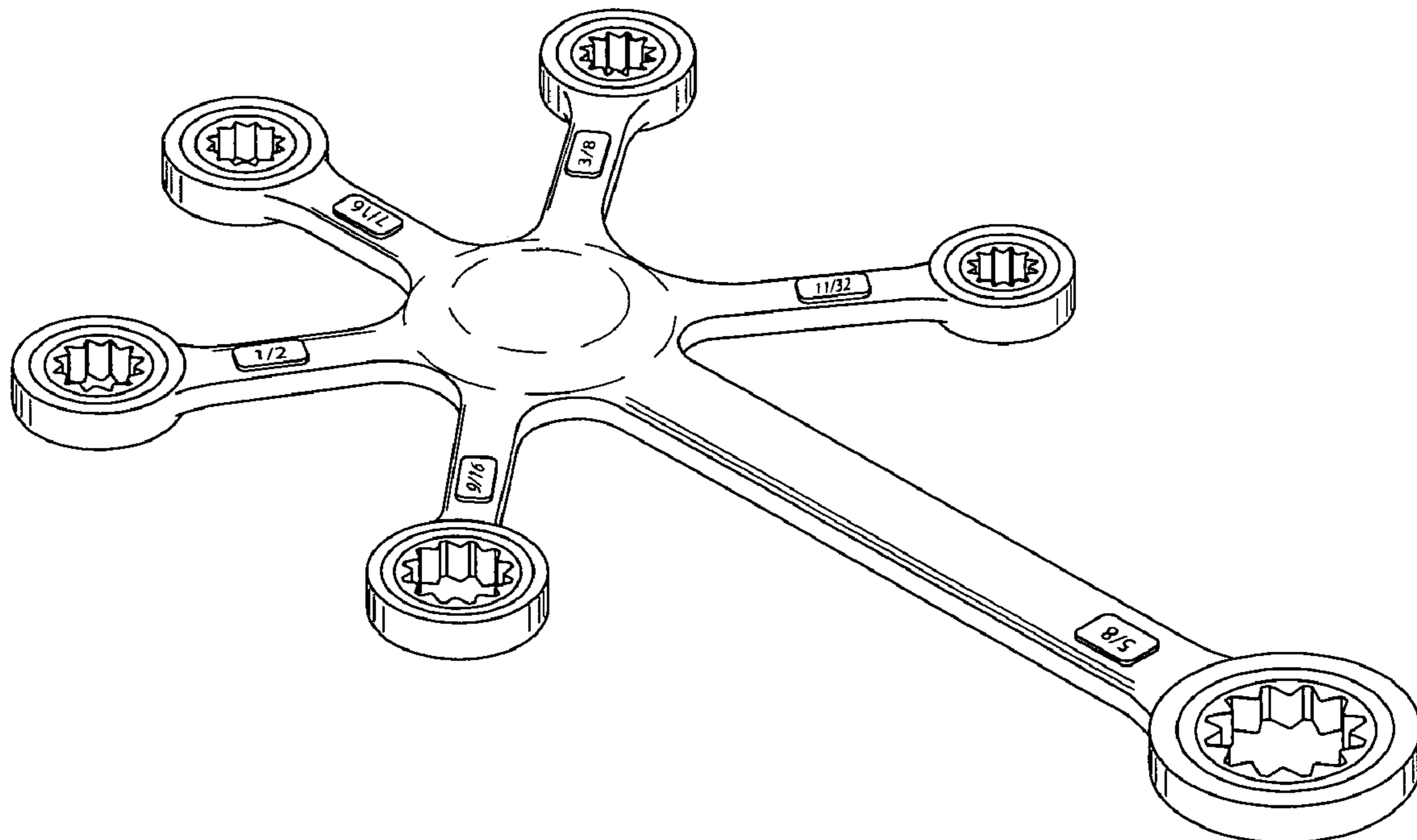
(57) **CLAIM**

The ornamental design for a multi ratchet wrench, as shown and described.

DESCRIPTION

FIG. 1 is a perspective view showing a top surface of a multi ratchet wrench showing my new design;
FIG. 2 is a perspective view of a bottom surface thereof;
FIG. 3 is a side elevational view thereof;
FIG. 4 is a front elevational thereof; and,
FIG. 5 is a top plan view thereof.

1 Claim, 2 Drawing Sheets



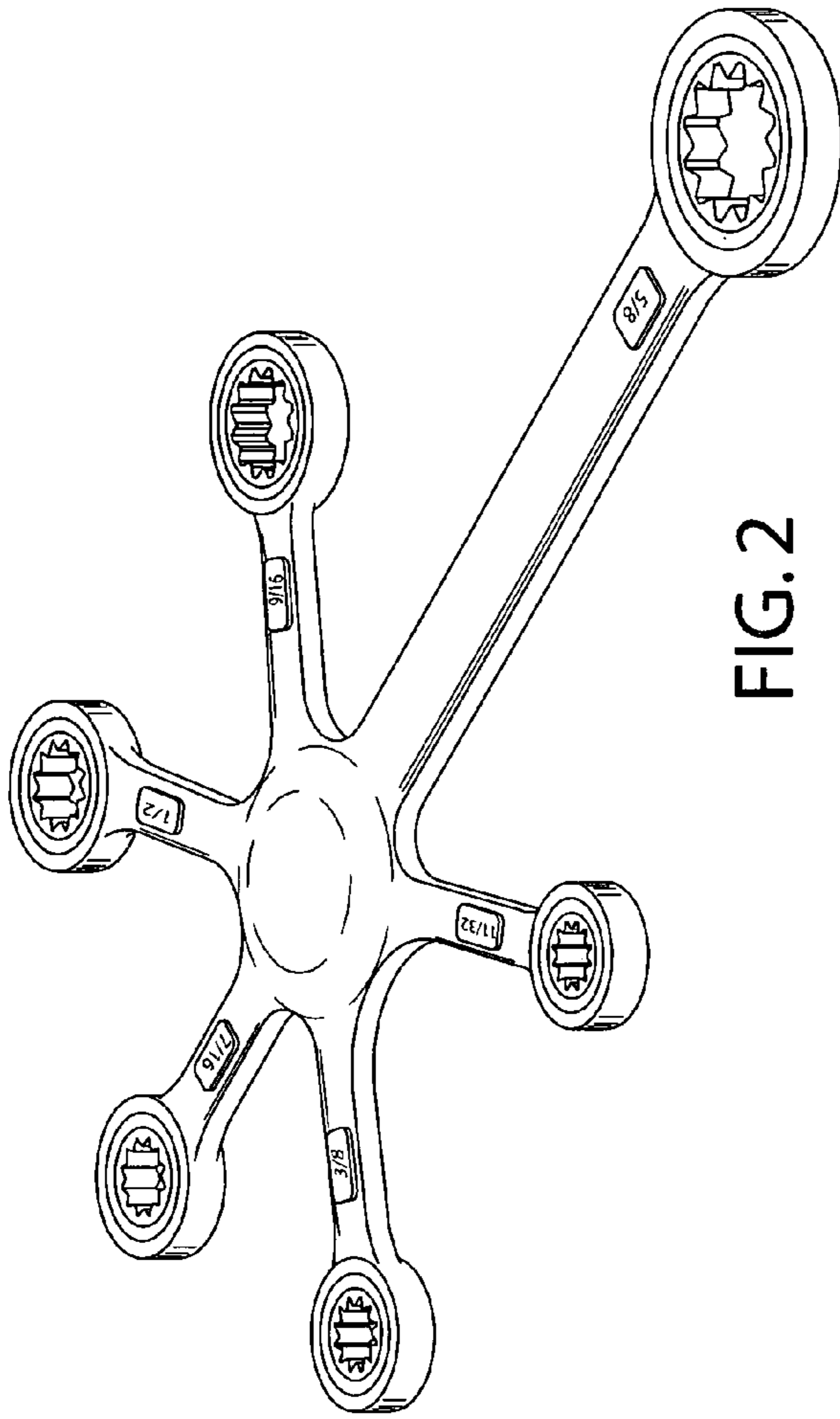


FIG. 2

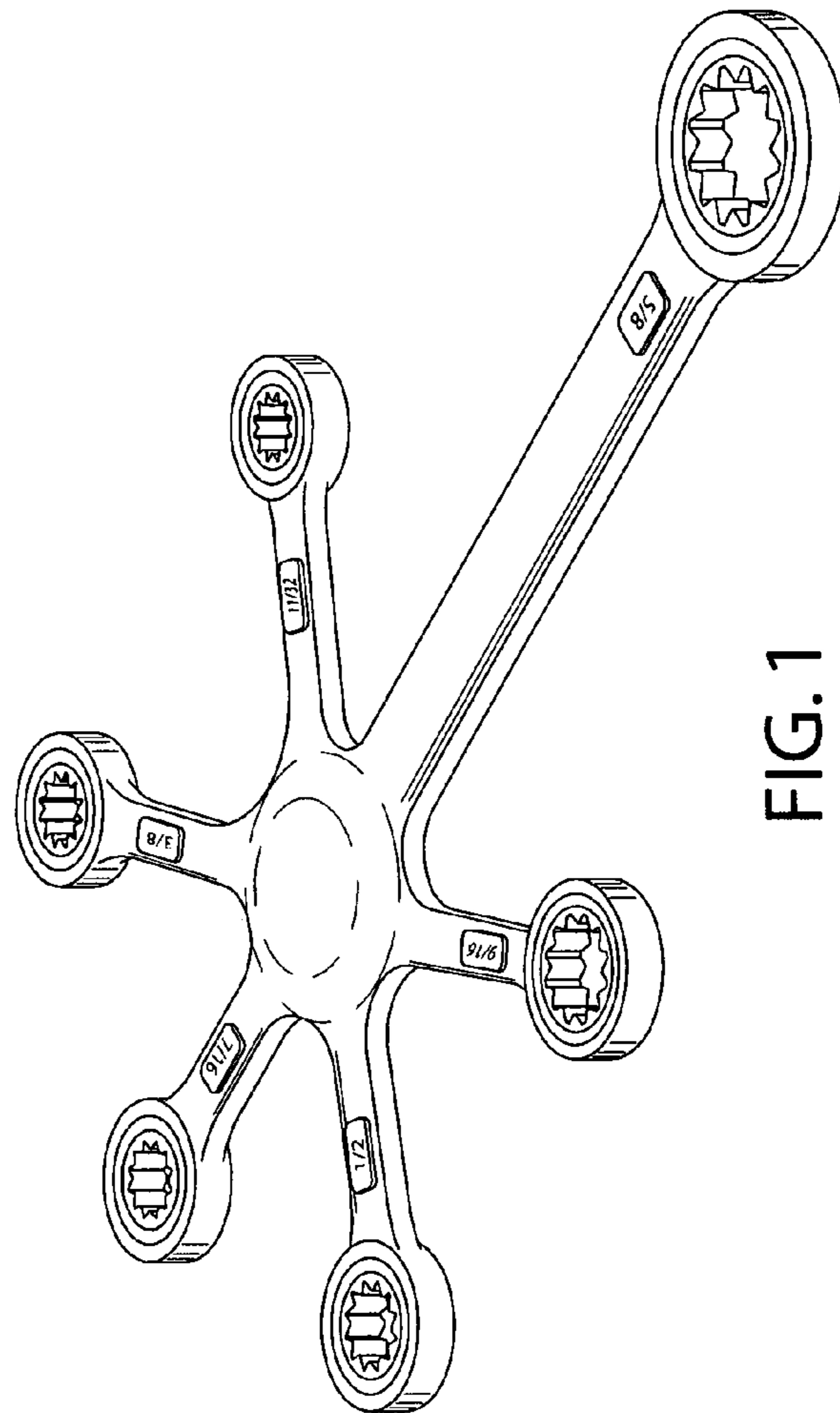


FIG. 1

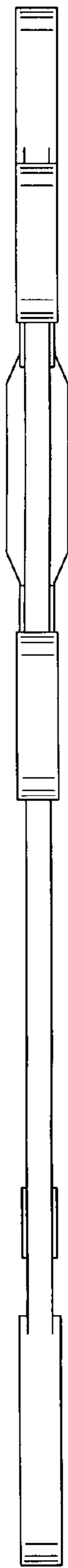
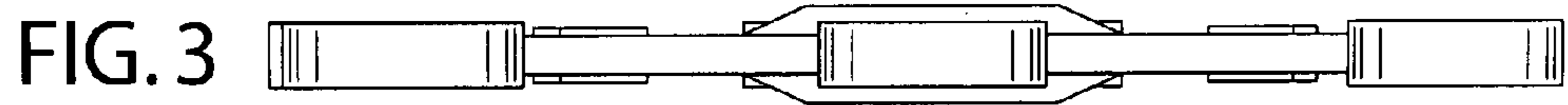


FIG. 4

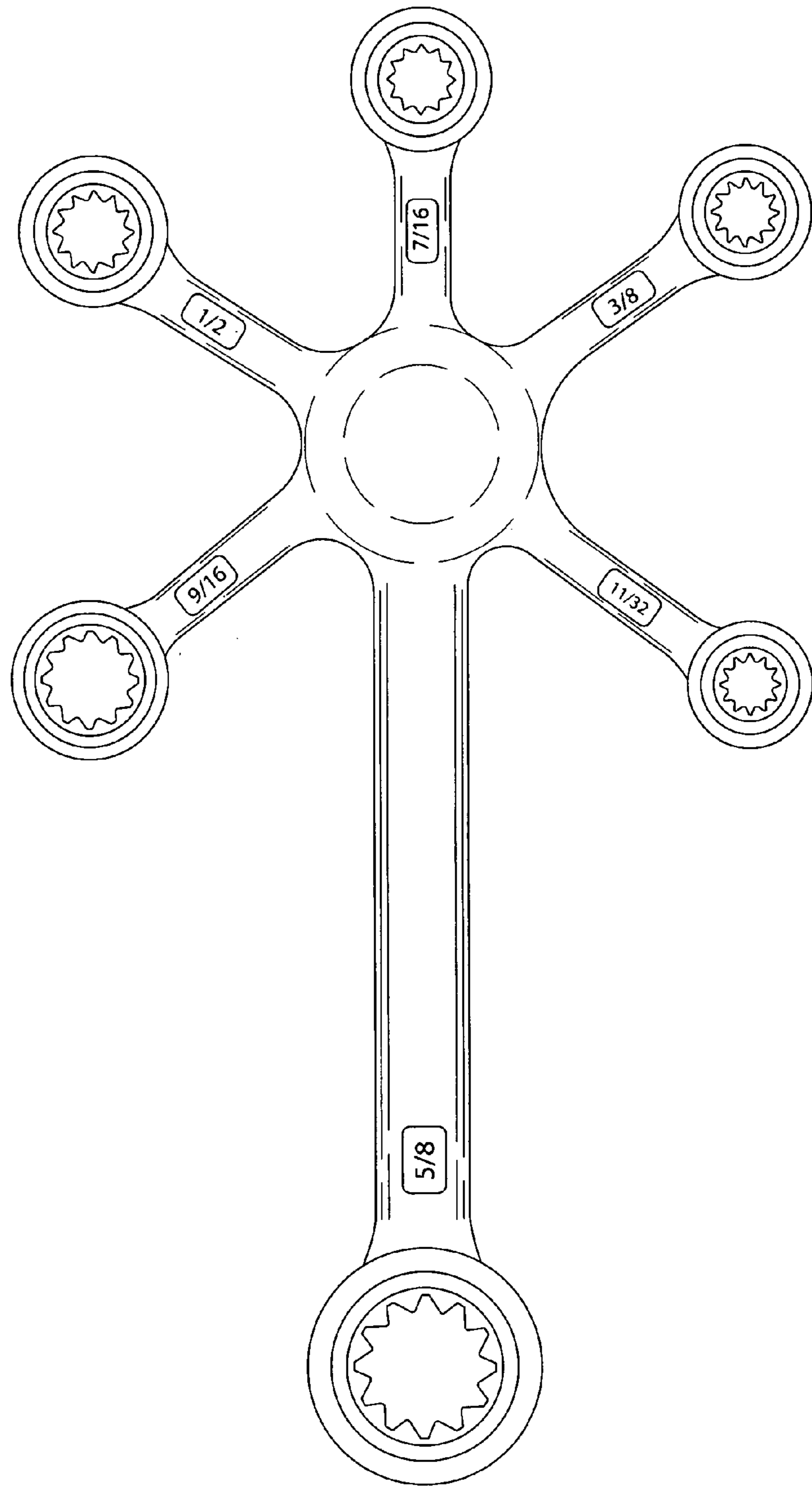


FIG. 5