



US00D575115S

(12) **United States Design Patent**
Zimmerman

(10) **Patent No.:** **US D575,115 S**

(45) **Date of Patent:** **** Aug. 19, 2008**

(54) **BOWL WITH SEALING LID**

(75) Inventor: **Larry Gene Zimmerman**, Hollis, NH
(US)

(73) Assignee: **Sterilite Corporation**, Townsend, MA
(US)

(**) Term: **14 Years**

(21) Appl. No.: **29/291,570**

(22) Filed: **Sep. 5, 2007**

(51) **LOC (8) Cl.** **07-07**

(52) **U.S. Cl.** **D7/629**

(58) **Field of Classification Search** D7/601,
D7/602, 629, 612-615, 538-542; D9/428-432;
220/780-806, 326, 574-575

See application file for complete search history.

(56) **References Cited**

U.S. PATENT DOCUMENTS

4,471,880	A *	9/1984	Taylor et al.	220/792
5,356,026	A *	10/1994	Andress et al.	220/792
D452,374	S	12/2001	Kim		
D481,910	S *	11/2003	Kim	D7/629
D486,358	S *	2/2004	Dais et al.	D7/629
D488,031	S *	4/2004	Kim	D7/629
D491,024	S *	6/2004	Welsh	D7/629
D493,073	S *	7/2004	Kim	D7/629

6,793,096	B1 *	9/2004	Seok	220/788
D506,106	S *	6/2005	Ordiway et al.	D7/629
D523,296	S *	6/2006	Kim	D7/629
2004/0084464	A1 *	5/2004	Koo	220/784
2005/0035125	A1 *	2/2005	Bae	220/326

OTHER PUBLICATIONS

“Airtight Containers,” Lock&Lock Co., Ltd., 2001-2003.
“Ultraseal Food Storage Container,” Sterilite Corporation, 2002.
“Ultraseal Food Storage Container,” Sterilite Corporation, 2004.
“Ultraseal Food Storage Container,” Sterilite Corporation, 2005.
“Ultraseal Food Storage Container,” Sterilite Corporation, 2006.

* cited by examiner

Primary Examiner—Terry A Wallace

(74) *Attorney, Agent, or Firm*—Wilmer Cutler Pickering Hale & Dorr LLP

(57) **CLAIM**

The ornamental design for a bowl with sealing lid, as shown.

DESCRIPTION

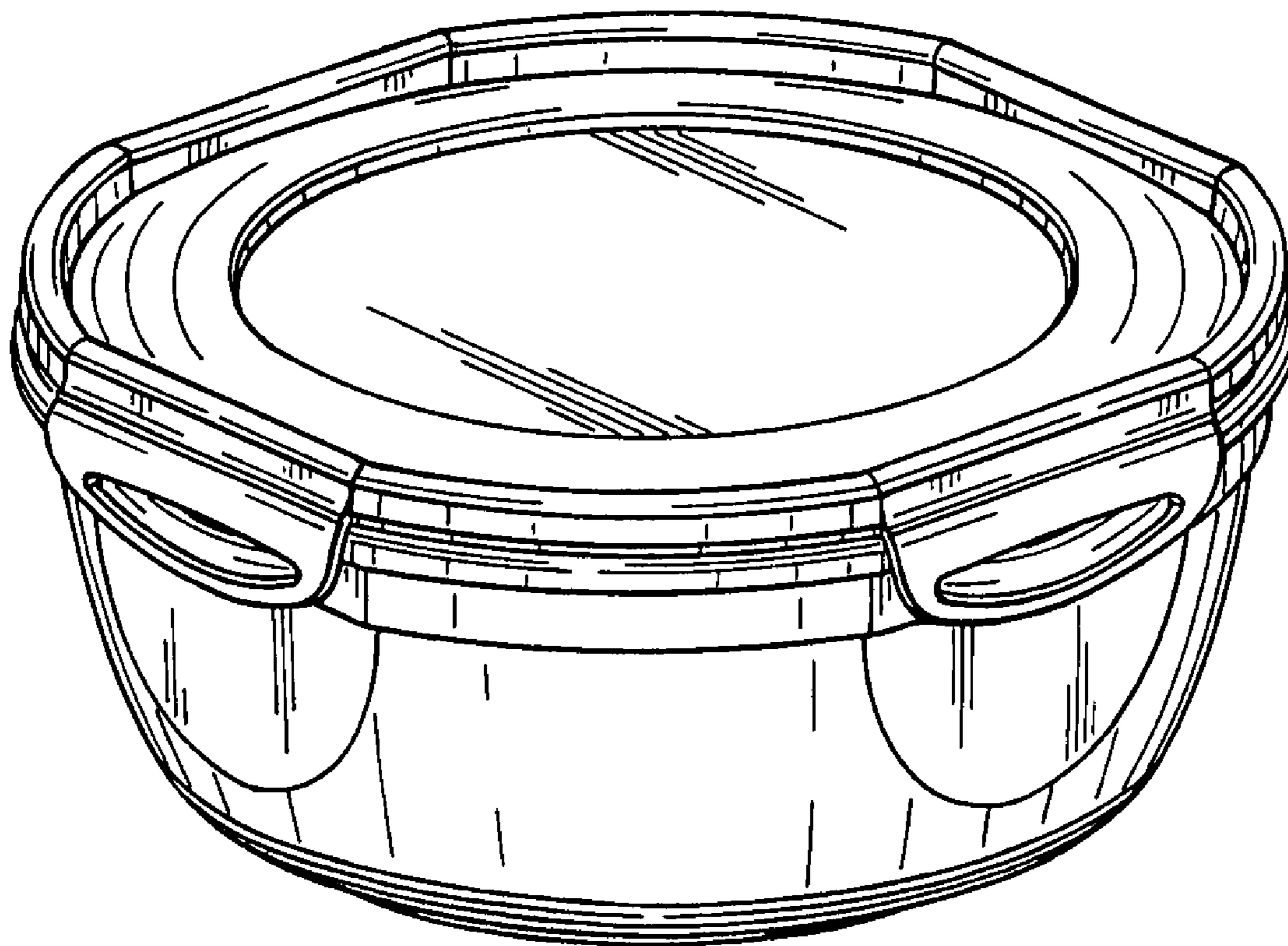
FIG. 1 is a perspective view of a bowl with sealing lid showing my new design;

FIG. 2 is a front view thereof;

FIG. 3 is a top view thereof; and,

FIG. 4 is a bottom view thereof.

1 Claim, 2 Drawing Sheets



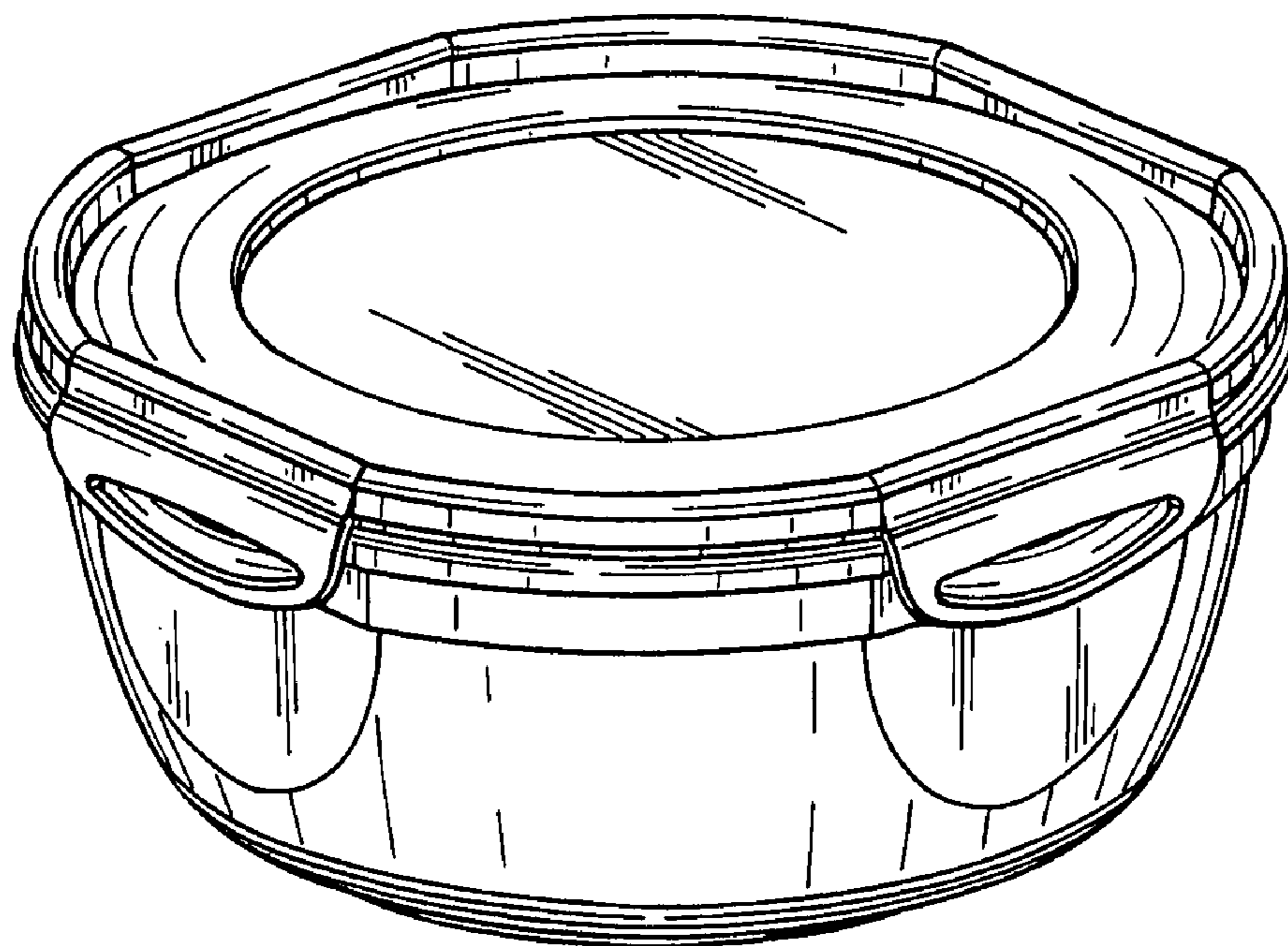


Fig. 1

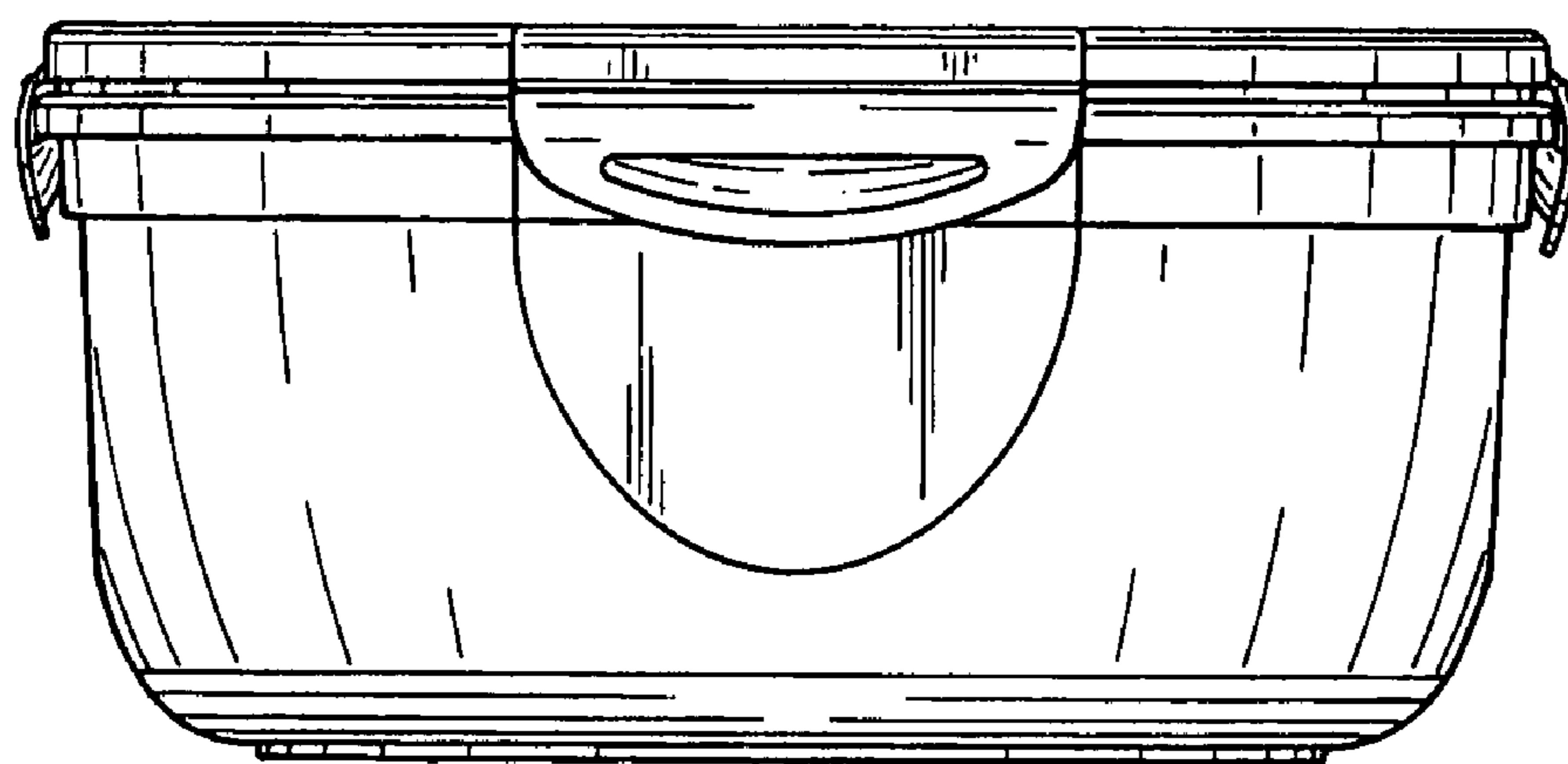


Fig. 2

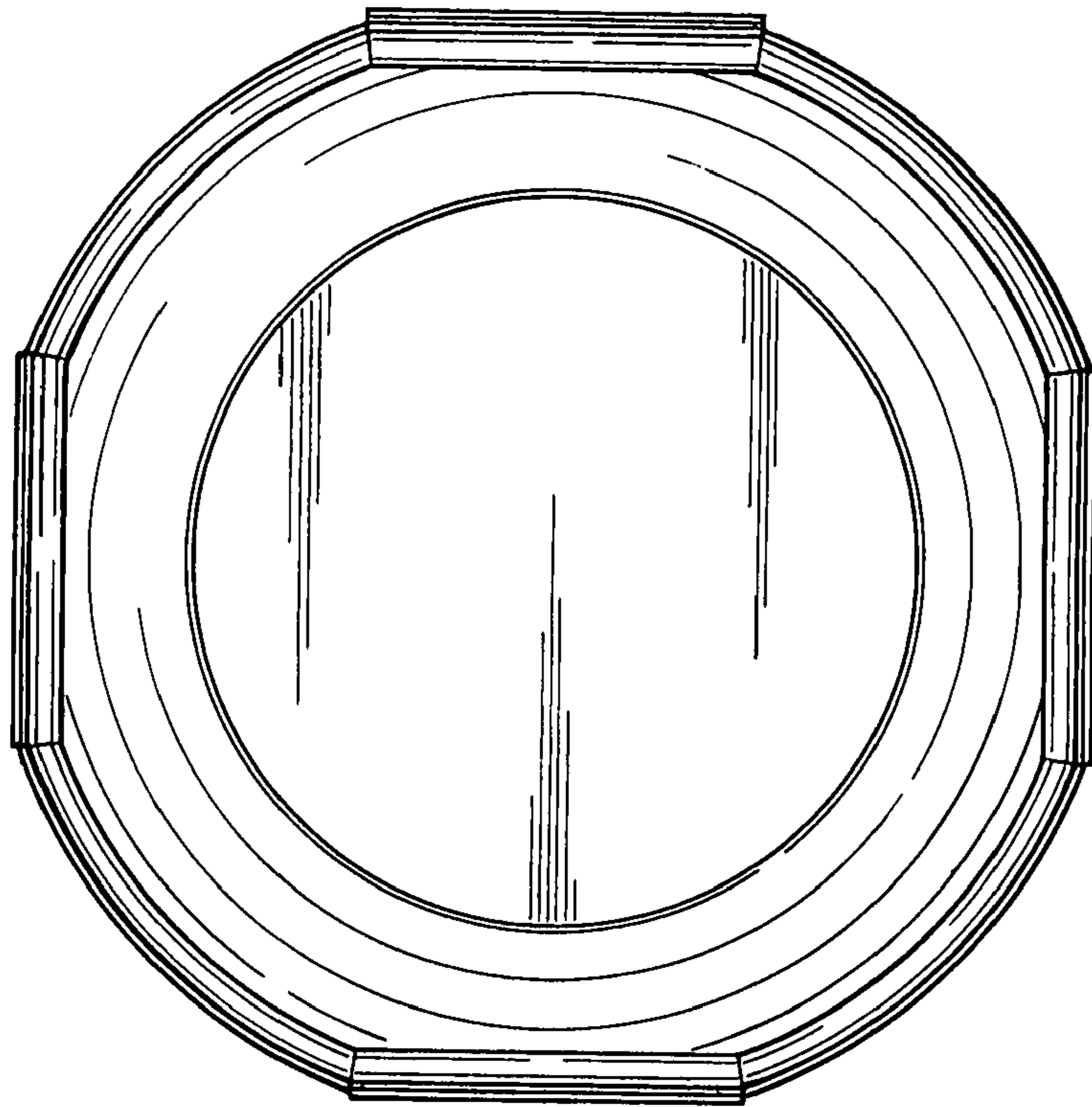


Fig. 3

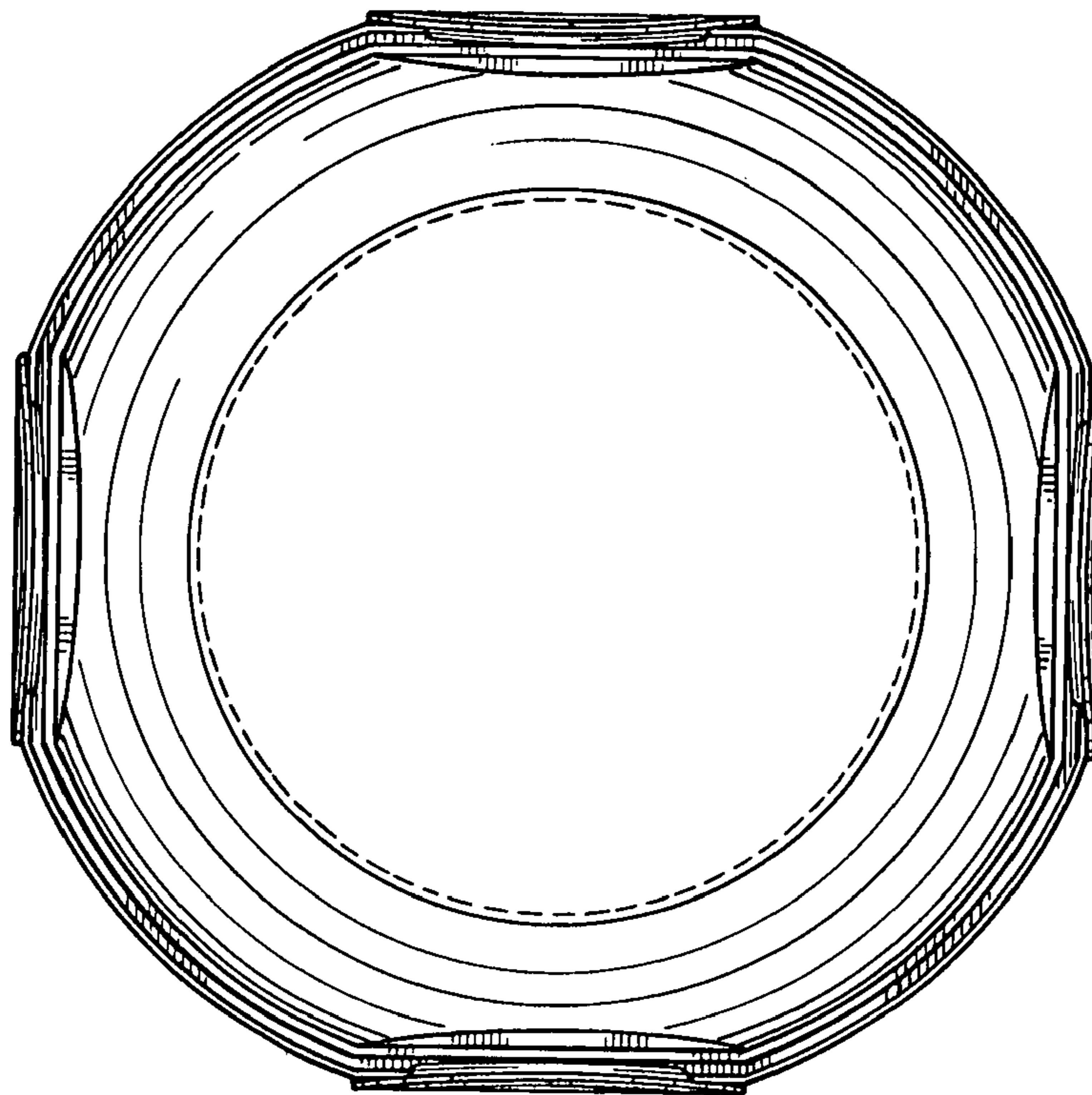


Fig. 4