



US00D575114S

(12) **United States Design Patent**  
**Moghavem**

(10) **Patent No.:** **US D575,114 S**

(45) **Date of Patent:** **\*\* Aug. 19, 2008**

(54) **CONTAINER**

(75) Inventor: **Michael Moghavem**, Beverly Hills, CA  
(US)

(73) Assignee: **Home Concepts Products**, Vernon, CA  
(US)

(\*\*) Term: **14 Years**

(21) Appl. No.: **29/287,283**

(22) Filed: **Jul. 19, 2007**

(51) **LOC (8) Cl.** ..... **07-07**

(52) **U.S. Cl.** ..... **D7/629**

(58) **Field of Classification Search** ..... D7/601,  
D7/602, 612-615, 629, 538-542; D9/424-432;  
220/780-806, 574-575

See application file for complete search history.

(56) **References Cited**

**U.S. PATENT DOCUMENTS**

4,471,880	A *	9/1984	Taylor et al. ....	220/792
5,356,026	A *	10/1994	Andress et al. ....	206/508
D411,714	S *	6/1999	Wilson et al. ....	D7/629
D491,024	S *	6/2004	Welsh ....	D7/629
D506,106	S *	6/2005	Ordiway et al. ....	D7/629

\* cited by examiner

*Primary Examiner*—Terry A Wallace

(74) *Attorney, Agent, or Firm*—McDermott Will & Emery  
LLP

(57) **CLAIM**

The ornamental design for a container, as shown and  
described.

**DESCRIPTION**

FIG. 1 is a front perspective view of the container, showing  
the new design;

FIG. 2 is a front view of the container;

FIG. 3 is a rear view of the container;

FIG. 4 is a side view of the container;

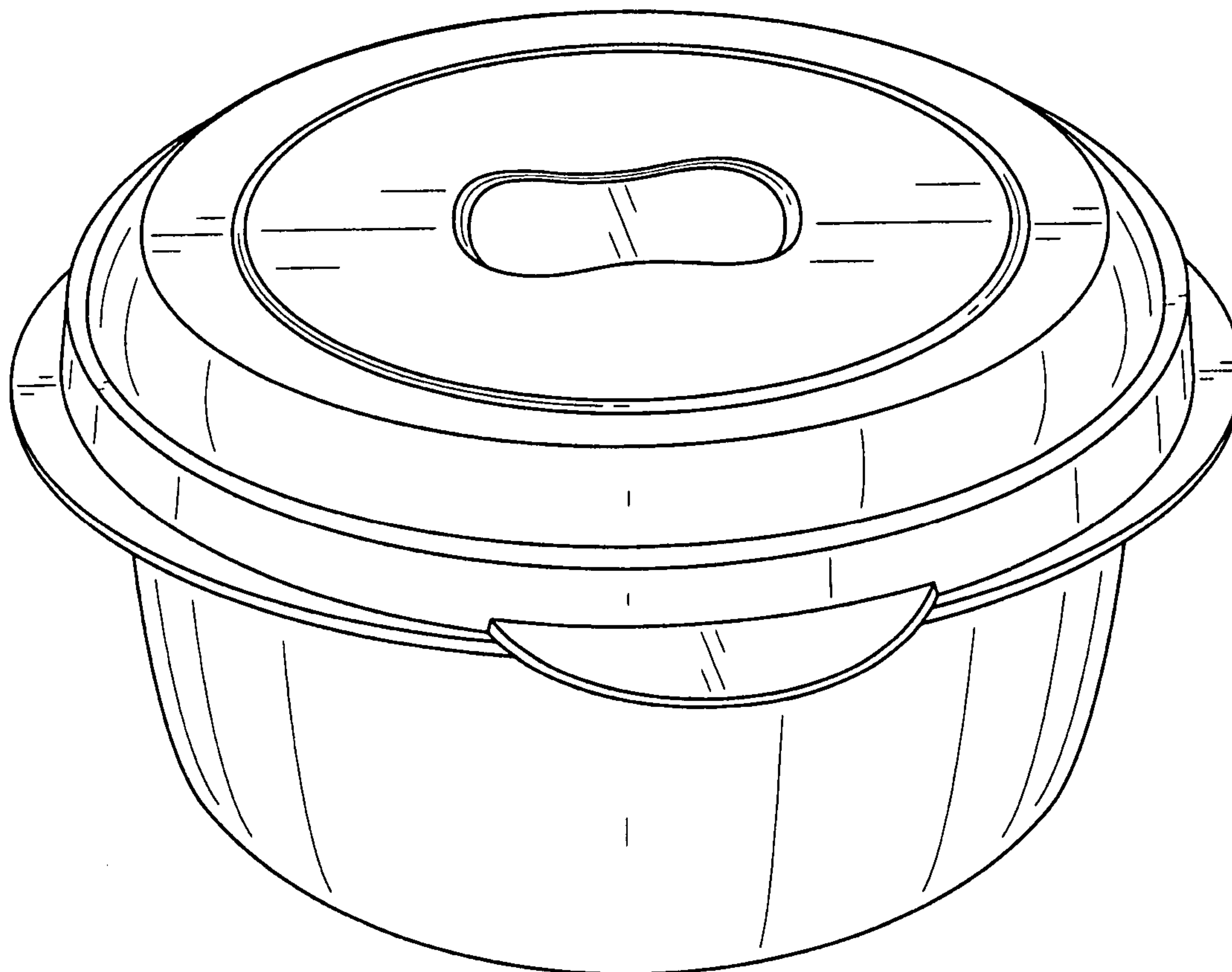
FIG. 5 is another side view of the container;

FIG. 6 is a top view of the container; and,

FIG. 7 is a bottom view of the container.

The broken lines showing various elements of the container  
are included for the purpose of illustrating non-claimed sub-  
ject matter and forms no part of the claimed design.

**1 Claim, 7 Drawing Sheets**



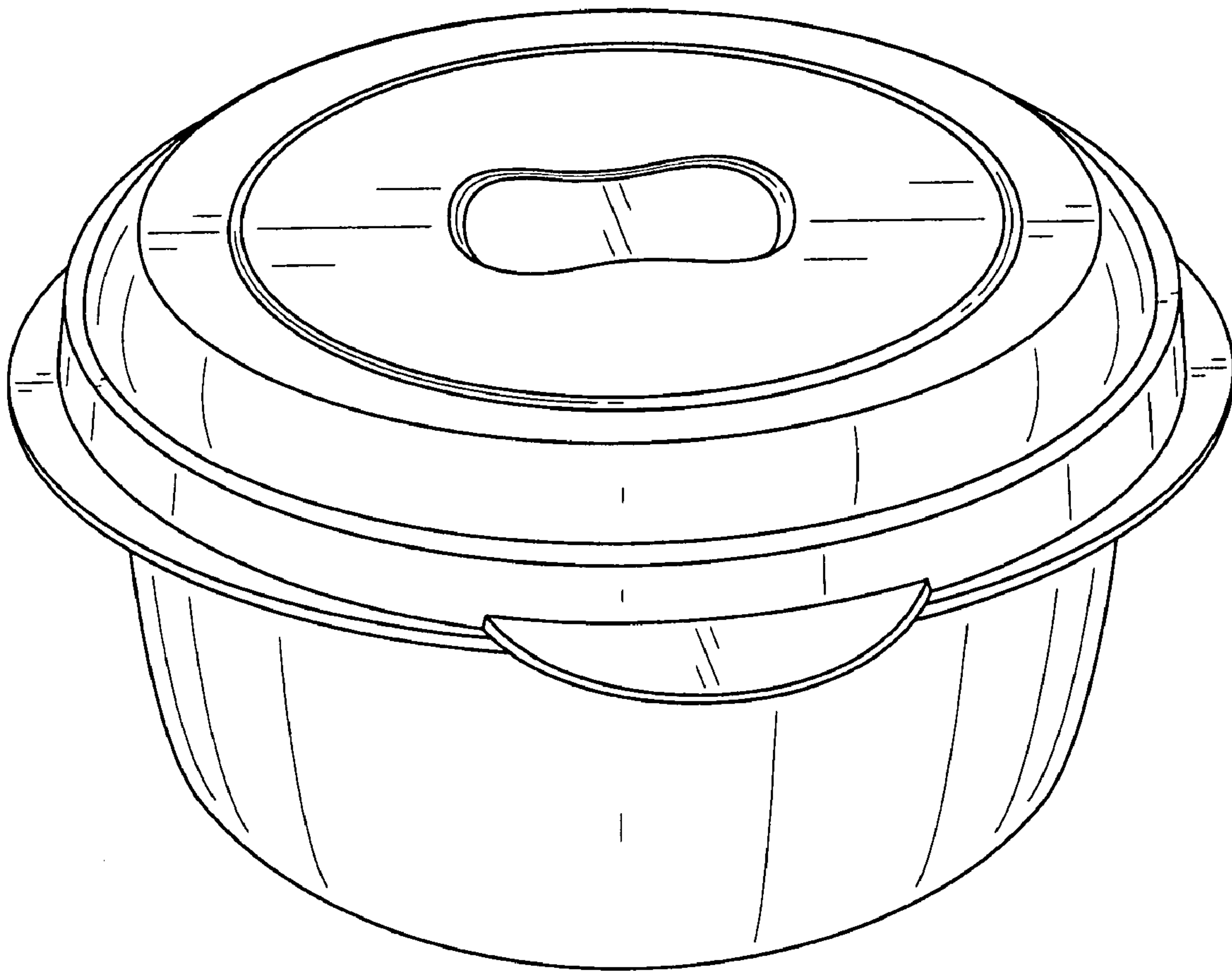


FIG. 1

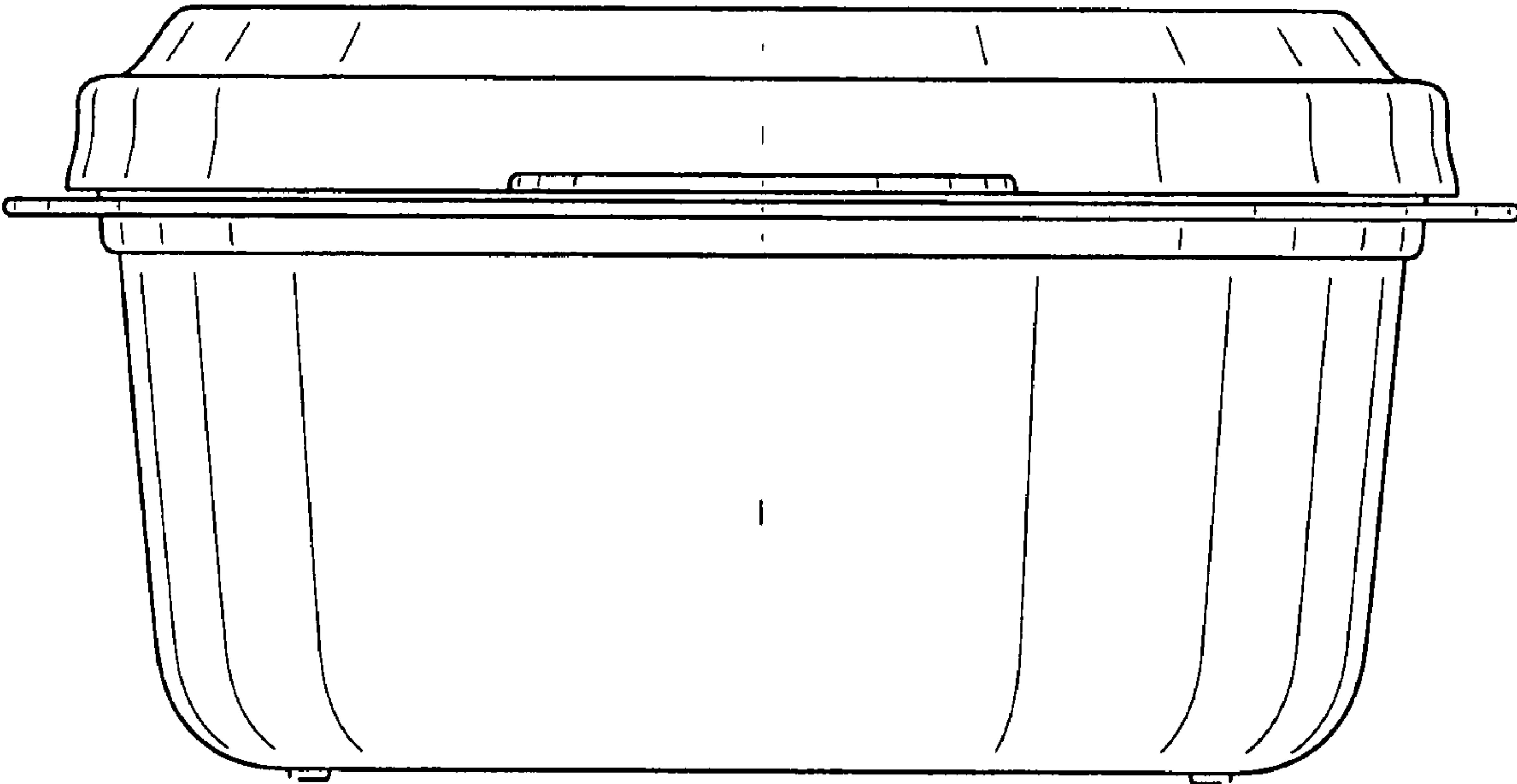


FIG. 2

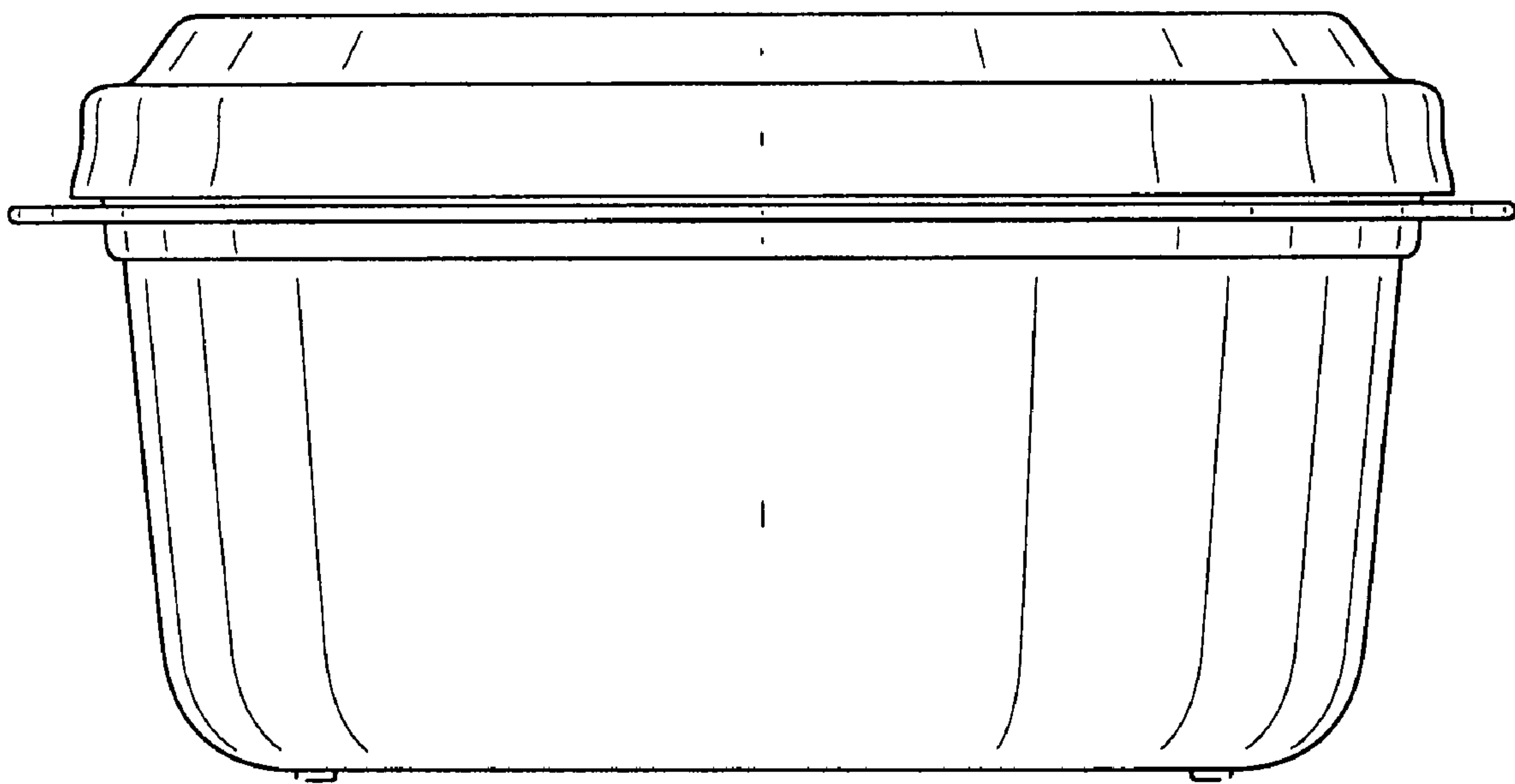


FIG. 3

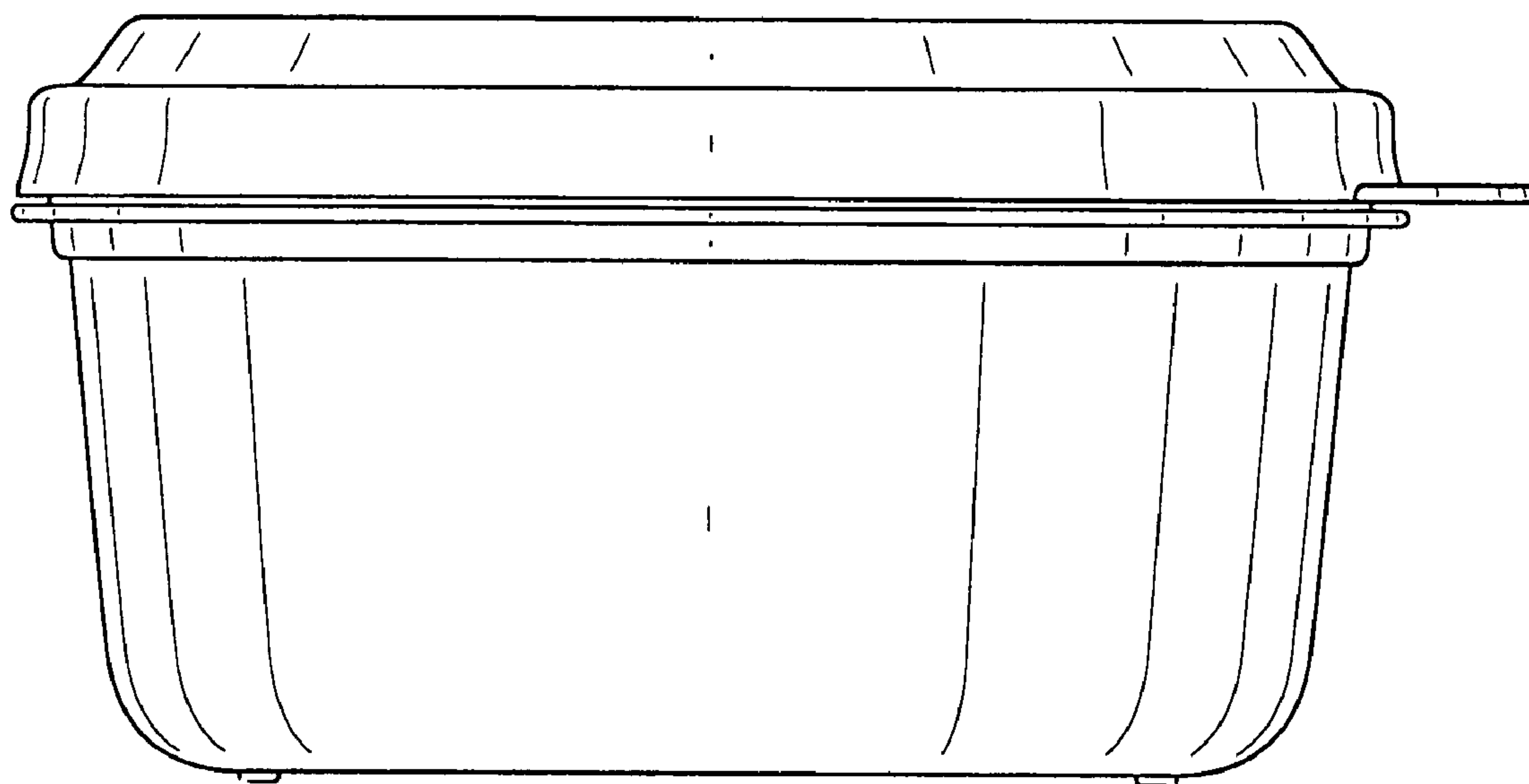


FIG. 4

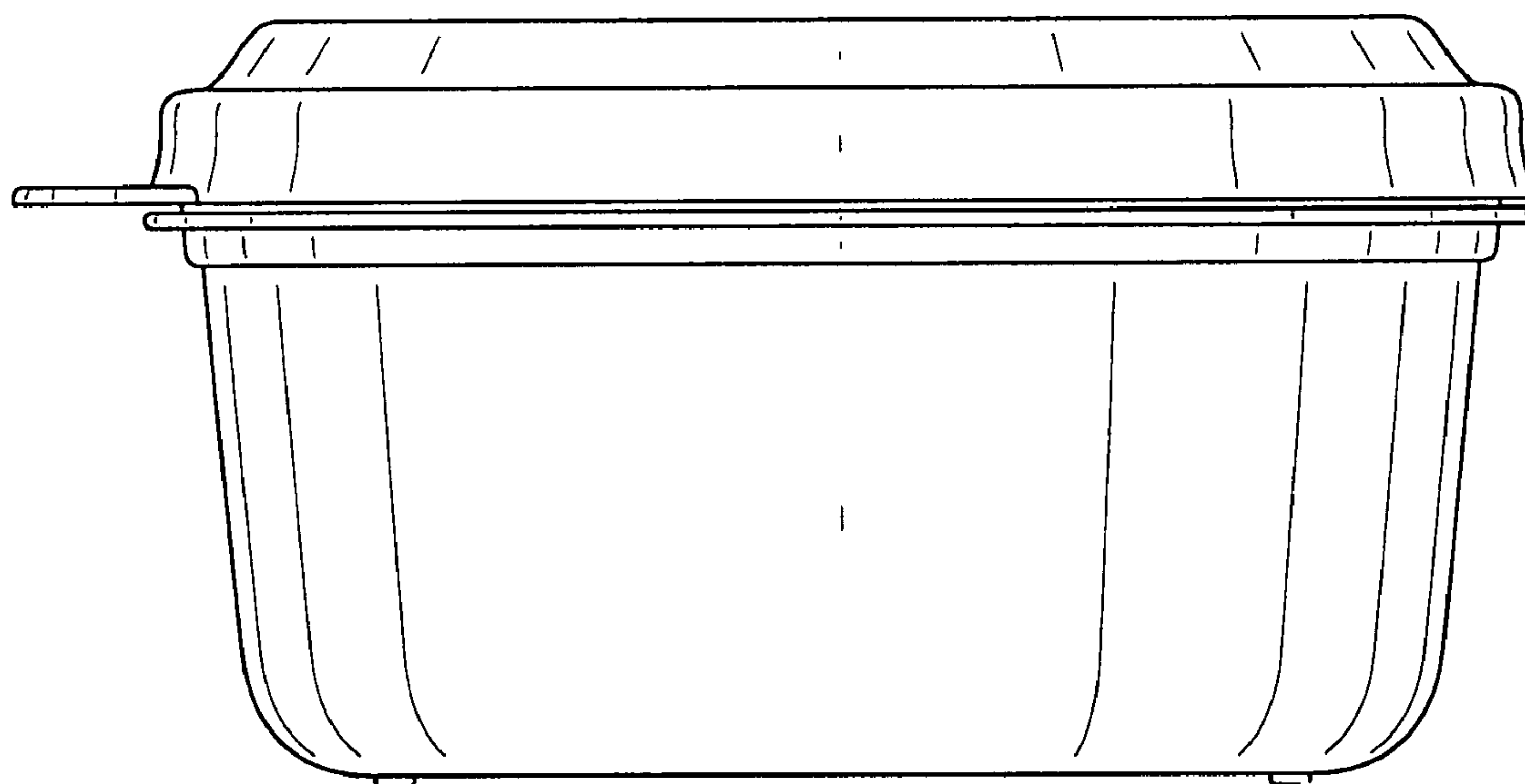


FIG. 5

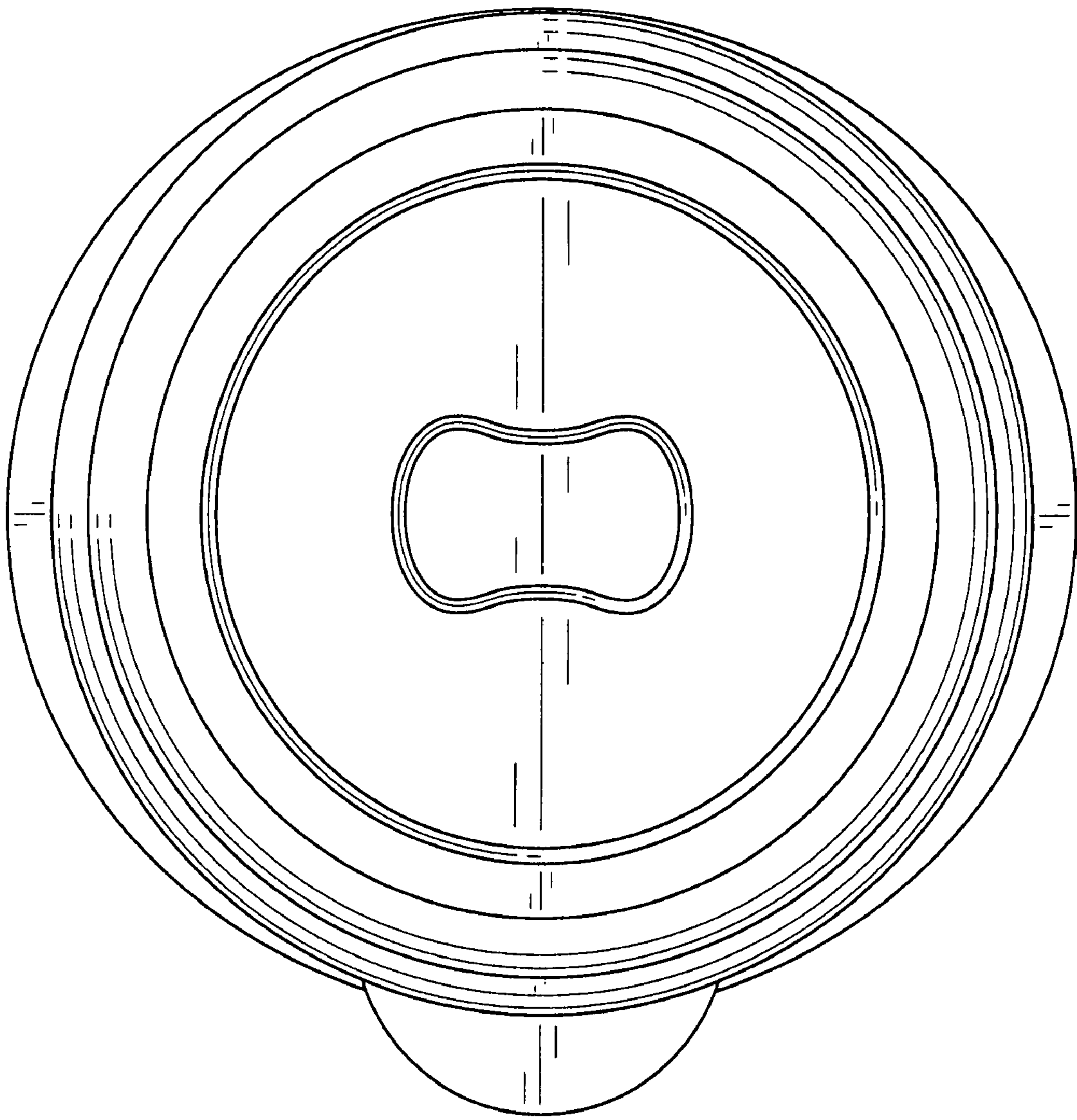


FIG. 6



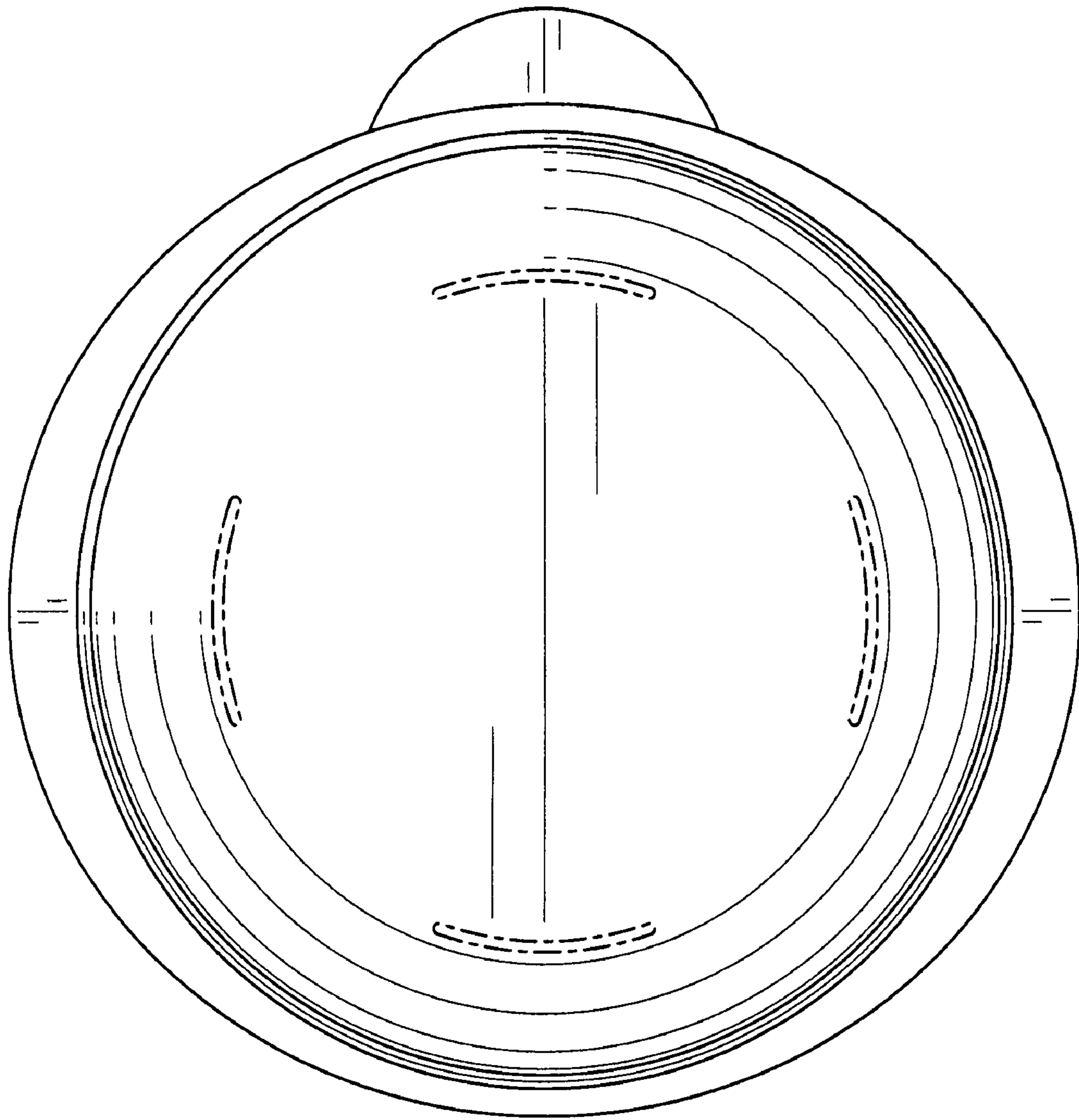


FIG. 7